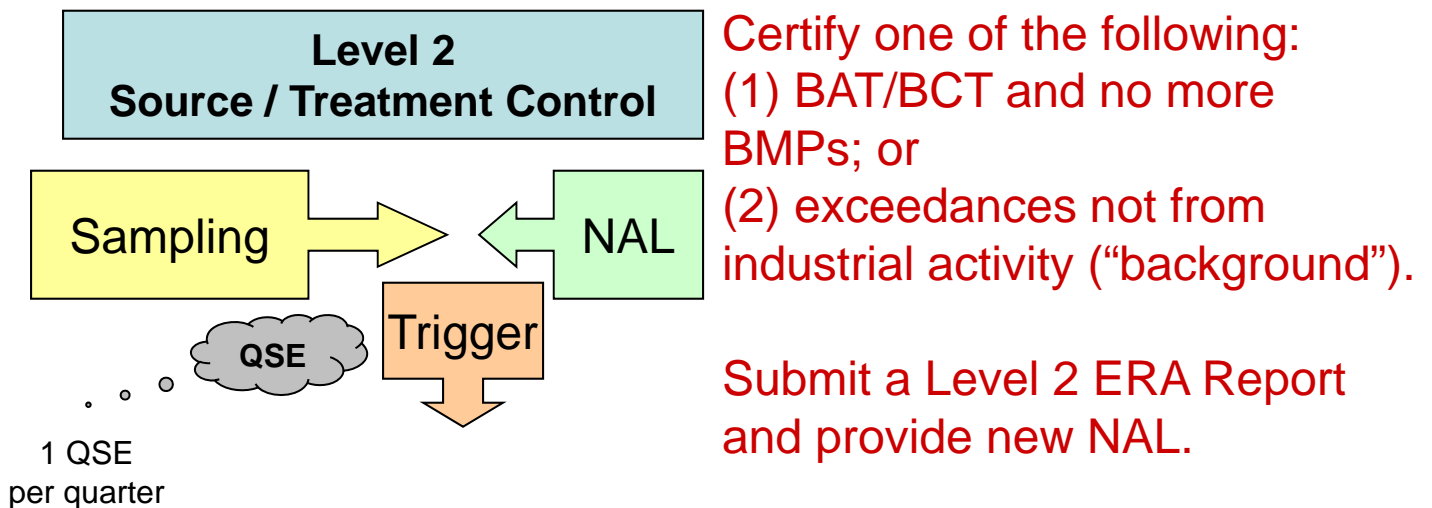
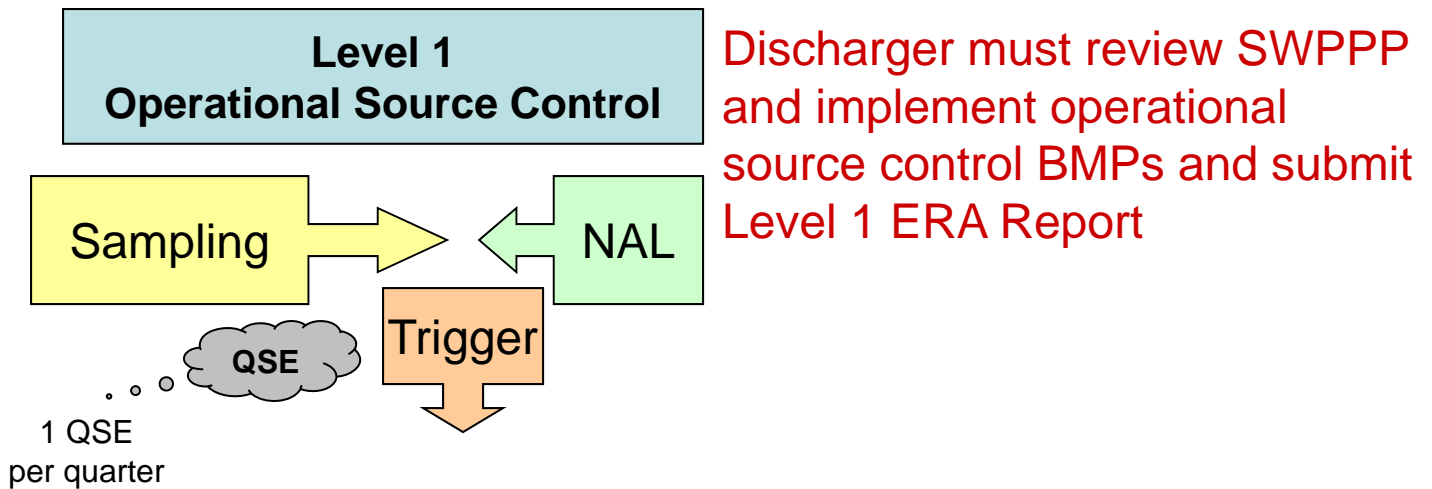
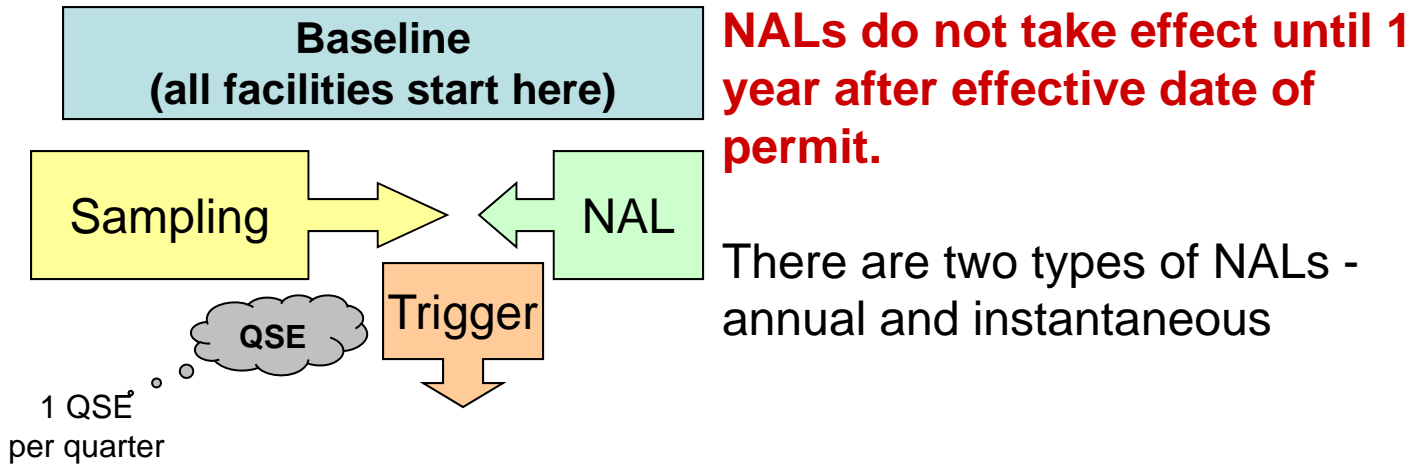


EXCEEDANCE RESPONSE ACTIONS



There are two types of Numeric Action Levels (NALs):

1. Annual NAL_A exceedance - occurs when the average of all the analytical results for a parameter from samples taken within a reporting year exceeds an annual NAL value for that parameter (or is outside the NAL pH range)
2. Instantaneous maximum NAL_I - occurs when two or more analytical results for TSS, O&G, or pH from samples taken within a reporting year exceed the instantaneous maximum NAL value (or is outside the NAL pH range).

Acronyms:

- BMP – Best Management Practice
- ERA – Exceedance Response Actions
- QSE – Qualifying Storm Event
- NAL_A – Numeric Action Level – Annual
- NAL_I - Numeric Action Level - Instantaneous
- SWPPP – Storm Water Pollution Prevention Plan