

**CALIFORNIA REGIONAL WATER QUALITY CONTROL BOARD
SAN DIEGO REGION**

2375 Northside Drive, Suite.100, San Diego, CA 92108
Phone (619) 516-1990 • Fax (619) 516-1994
<http://www.waterboards.ca.gov/sandiego/>

Clean Water Act Section 401 Water Quality Certification
and Waste Discharge Requirements
for Discharge of Dredged and/or Fill Materials

PROJECT: Gonzalez-Zavalegui Residence Dock Improvement Project
Certification Number R9-2013-0184
WDID: 9 000002674

Reg. Meas. ID: 394134 Place ID: 801466 Party ID: 544395 Person ID: 544394
--

APPLICANT: Carlos Gonzalez-Zavalegui
37 The Point
Coronado, CA 92118

ACTION:

<input type="checkbox"/> Order for Low Impact Certification	<input type="checkbox"/> Order for Denial of Certification
<input checked="" type="checkbox"/> Order for Technically-conditioned Certification	<input type="checkbox"/> Waiver of Waste Discharge Requirements
<input checked="" type="checkbox"/> Enrollment in SWRCB GWDR Order No. 2003-017-DWQ	<input type="checkbox"/> Enrollment in Isolated Waters Order No. 2004-004-DWQ

PROJECT DESCRIPTION

An application dated December 5, 2013 was submitted by Carlos Gonzalez-Zavalegui (hereinafter Applicant), for Water Quality Certification pursuant to section 401 of the Clean Water Act (33 U.S.C. § 1341) for the proposed Gonzalez-Zavalegui Residence Dock Improvement Project (Project). The Applicant has also applied for a Clean Water Act section 404 permit from the United States Army Corps of Engineers for the Project (USACE File No. 2013-00842-RRS).

The Project is located within the City of Coronado, San Diego County, California at 37 The Point. The Project center reading is located at latitude 32.629772 and longitude -117.133447. The Applicant has paid all required fees for this Certification in the amount of \$1,201.00. On December 6, 2013, the San Diego Water Board provided public notice of the Project application pursuant to California Code of Regulations, title 23, section 3858 by posting information describing the Project on the San Diego Water Board's web site and providing a period of twenty-one days for public review and comment. No comments were received.

The Applicant proposes to remove the existing floating dock (556.5 ft²) and gangway (80 ft²) and install a new floating dock and gangway to ensure safe use of the dock system at the residence. The new dock pieces will be floated to the Project site from a nearby launch ramp using a motorized floating platform. Once the new dock pieces are at the Project site, a silt curtain will be installed to enclose the work area and the dock pieces will be exchanged. After the exchange is completed, the silt curtain will be removed and the old dock pieces floated back to the launch ramp. Three existing guide piles will be left in place for use with the new dock system. The replacement dock system will be the same dimensions and installed in the same location as the existing dock; therefore, there will be no change in the overwater shade coverage. The old dock system will be taken off-site to Swift Slip Dock and Pier Builders' facility in Costa Mesa, CA to be recycled and/or properly disposed. Project construction will begin once all permits are received and is expected to take up to two weeks to complete.

TABLE OF CONTENTS

I.	STANDARD CONDITIONS	4
II.	GENERAL CONDITIONS.....	4
III.	PROJECT IMPACTS AND COMPENSATORY MITIGATION	7
IV.	MONITORING AND REPORTING REQUIREMENTS.....	7
V.	NOTIFICATION REQUIREMENTS	9
VI.	CALIFORNIA ENVIRONMENTAL QUALITY ACT COMPLIANCE	10
VII.	SAN DIEGO WATER BOARD CONTACT PERSON.....	10
VIII.	WATER QUALITY CERTIFICATION	11

Attachments:

1. Definitions
2. Project Figures and Plans

I. STANDARD CONDITIONS

Pursuant to section 3860 of title 23 of the California Code of Regulations, the following three standard conditions apply to all water quality certification actions:

- A. This Certification action is subject to modification or revocation upon administrative or judicial review, including review and amendment pursuant to section 13330 of the Water Code and chapter 28, article 6 (commencing with title 23, section 3867), of the California Code of Regulations.
- B. This Certification action is not intended and shall not be construed to apply to any discharge from any activity involving a hydroelectric facility and requiring a Federal Energy Regulatory Commission (FERC) license or an amendment to a FERC license unless the pertinent Certification application was filed pursuant to California Code of Regulations title 23, section 3855 subdivision (b), and that application specifically identified that a FERC license or amendment to a FERC license for a hydroelectric facility was being sought.
- C. This Certification action is conditioned upon total payment of any fee required under title 23, chapter 28 (commencing with section 3830) of California Code of Regulations and owed by the applicant.

II. GENERAL CONDITIONS

- A. **Term of Certification.** Water Quality Certification No. R9-2013-0184 (Certification) shall expire upon a) the expiration or retraction of the Clean Water Act section 404 (33 U.S.C. §1344) permit issued by the U.S. Army Corps of Engineers for this Project, or b) five (5) years from the date of issuance of this Certification, whichever occurs first.
- B. **Duty to Comply.** The Applicant must comply with all conditions and requirements of this Certification. Any Certification noncompliance constitutes a violation of the Water Code and is grounds for enforcement action or Certification termination, revocation and reissuance, or modification.
- C. **General Waste Discharge Requirements.** The requirements of this Certification are enforceable through Water Quality Order No. 2003-0017-DWQ, *Statewide General Waste Discharge Requirements for Discharges of Dredged or Fill Material that have Received State Water Quality Certification* (Water Quality Order No. 2003-0017-DWQ). This provision shall apply irrespective of whether a) the federal permit for which the Certification was obtained is subsequently retracted or is expired, or b) the Certification is expired. Water Quality Order No. 2003-0017-DWQ is accessible at:

http://www.waterboards.ca.gov/water_issues/programs/cwa401/docs/generalorders/go_wdr401regulated_projects.pdf.

- D. Project Conformance with Application.** All water quality protection measures and BMPs described in the application and supplemental information for water quality certification are incorporated by reference into this Certification as if fully stated herein. Notwithstanding any more specific conditions in this Certification, the Applicant shall construct, implement and comply with all water quality protection measures and BMPs described in the application and supplemental information. The conditions within this Certification shall supersede conflicting provisions within the application and supplemental information submitted as part of this Certification action.
- E. Project Conformance with Water Quality Control Plans or Policies.** Notwithstanding any more specific conditions in this Certification, the Project shall be constructed in a manner consistent with the Basin Plan and any other applicable water quality control plans or policies adopted or approved pursuant to the Porter Cologne Water Quality Act (Division 7, commencing with Water Code Section 13000) or section 303 of the Clean Water Act (33 U.S.C §1313.).
- F. Project Modification.** The Applicant must submit any changes to the Project, including Project operation, which would have a significant or material effect on the findings, conclusions, or conditions of this Certification, to the San Diego Water for prior review and written approval. If the San Diego Water Board is not notified of a significant change to the Project, it will be considered a violation of this Certification
- G. Certification Distribution Posting.** During Project construction, the Applicant must maintain a copy of this Certification at the Project site. This Certification must be available at all times to site personnel and agencies. A copy of this Certification shall also be provided to any contractor or subcontractor performing construction work, and the copy shall remain in their possession at the Project site.
- H. Inspection and Entry.** The Applicant must allow the San Diego Water Board or the State Water Resources Control Board, and/or their authorized representative(s) (including an authorized contractor acting as their representative), upon the presentation of credentials and other documents as may be required under law, to:
1. Enter upon the Project or Compensatory Mitigation site(s) premises where a regulated facility or activity is located or conducted, or where records must be kept under the conditions of this Certification;
 2. Have access to and copy, at reasonable times, any records that must be kept under the conditions of this Certification;
 3. Inspect, at reasonable times, any facilities, equipment (including monitoring and control equipment), practices, or operations regulated or required under this Certification; and
 4. Sample or monitor, at reasonable times, for the purposes of assuring Certification compliance, or as otherwise authorized by the Clean Water Act or Water Code, any substances or parameters at any location.

- I. **Enforcement Notification.** In the event of any violation or threatened violation of the conditions of this Certification, the violation or threatened violation shall be subject to any remedies, penalties, process or sanctions as provided for under State law. For purposes of section 401(d) of the Clean Water Act, the applicability of any State law authorizing remedies, penalties, process or sanctions for the violation or threatened violation constitutes a limitation necessary to assure compliance with the water quality standards and other pertinent requirements incorporated into this Certification.
- J. **Certification Actions.** This Certification may be modified, revoked and reissued, or terminated for cause including but not limited to the following:
1. Violation of any term or condition of this Certification;
 2. Monitoring results indicate that continued Project activities could violate water quality objectives or impair the beneficial uses of San Diego Bay, or their tributaries;
 3. Obtaining this Certification by misrepresentation or failure to disclose fully all relevant facts;
 4. A change in any condition that requires either a temporary or permanent reduction or elimination of the authorized discharge; and
 5. Incorporation of any new or revised water quality standards and implementation plans adopted or approved pursuant to the Porter-Cologne Water Quality Control Act or section 303 of the Clean Water Act.

The filing of a request by the Applicant for modification, revocation and reissuance, or termination, or a notification of planned changes or anticipated noncompliance does not stay any Certification condition.

- K. **Duty to Provide Information.** The Applicant shall furnish to the San Diego Water Board, within a reasonable time, any information which the San Diego Water Board may request to determine whether cause exists for modifying, revoking and reissuing, or terminating this Certification or to determine compliance with this Certification
- L. **Property Rights.** This Certification does not convey any property rights of any sort, or any exclusive privilege.
- M. **Petition.** Any person aggrieved by this action of the San Diego Water Board may petition the State Water Resources Control Board (State Board) to review the action in accordance with Water Code section 13320 and California Code of Regulations, title 23, sections 2050 and following. The State Board must receive the petition by 5:00 p.m., 30 days after the date of this Order. Copies of the law and regulations applicable to filing petitions may be found on the Internet at http://www.waterboards.ca.gov/public_notices/petitions/water_quality/ or will be provided upon request.

N. **Approvals to Commence Construction.** The Applicant shall not commence Project construction until all necessary federal, state, and local approvals are obtained.

III. PROJECT IMPACTS AND COMPENSATORY MITIGATION

A. **Project Impact Avoidance.** The Project must avoid and minimize adverse impacts to waters of the United States and/or State to the maximum extent practicable. In-water work must not cause a discharge of waste to San Diego Bay.

B. **Eelgrass Impacts and Mitigation.** The Applicant shall conduct pre-construction survey(s) for *Caulerpa taxifolia* and eelgrass not more than one year prior to the start of in-water activities. The pre-construction survey(s) shall be completed by a qualified biologist in accordance with the Southern California Eelgrass Mitigation Policy (SCEMP) and provided to the San Diego Water Board prior to the start of in-water activities. The eelgrass survey must be conducted during an appropriate index period, as determined by a qualified biologist (i.e., a period representing maximum eelgrass coverage), and must include both aerial and density characterization of the beds. If eelgrass is found on the Project site during the pre-construction survey, a post-construction survey must be performed by a qualified biologist within 30 days following project completion to quantify any unanticipated losses to eelgrass habitat. Impacts must then be determined from a comparison of pre- and post-construction survey results. Any Impacts to eelgrass must be mitigated through conformance with the SCEMP, which defines the mitigation ratio and other requirements to achieve mitigation for significant eelgrass impacts. If required following the post-construction survey, the SCEMP defined mitigation must be developed; approved by the San Diego Water Board, U.S. Army Corps of Engineers and National Marine Fisheries Service; and implemented to offset losses to eelgrass. Surveys conducted during eelgrass dormancy will not be accepted.

IV. MONITORING AND REPORTING REQUIREMENTS

A. **Final Project Completion Report.** The Applicant must submit a Final Project Completion Report to the San Diego Water Board **within 30 days of completion of the Project.** The final report must include the following information:

1. Date of construction initiation;
2. Date of construction completion; and
3. As-built drawings of the Project, no bigger than 11"X17".

B. **Reporting Authority.** The submittal of information required under this Certification, or in response to a suspected violation of any condition of this Certification, is required pursuant to Water Code section 13267 and 13383. Civil liability may be administratively imposed by the San Diego Water Board for failure to submit information pursuant to Water Code sections 13268 or 13385.

C. Electronic and Paper Media Documents. The Applicant must submit all reports and information required under this Certification in both hardcopy (paper) and electronic format. The preferred electronic format for each report submission is one file in PDF format that is also Optical Character Recognition (OCR) capable. All paper and electronic documents submitted to the San Diego Water Board must include the following identification numbers in the header or subject line: Certification No. R9-2013-0184:PIN 801466.

D. Document Signatory Requirements. All applications, reports, or information submitted to the San Diego Water Board must be signed as follows:

1. For a corporation, by a responsible corporate officer of at least the level of vice president.
2. For a partnership or sole proprietorship, by a general partner or proprietor, respectively.
3. For a municipality, or a state, federal, or other public agency, by either a principal executive officer or ranking elected official.
4. A duly authorized representative may sign applications, reports, or information if:
 - a. The authorization is made in writing by a person described above.
 - b. The authorization specifies either an individual or position having responsibility for the overall operation of the regulated activity.
 - c. The written authorization is submitted to the San Diego Water Board Executive Officer.

If such authorization is no longer accurate because a different individual or position has responsibility for the overall operation of the Project, a new authorization satisfying the above requirements must be submitted to the San Diego Water Board prior to or together with any reports, information, or applications, to be signed by an authorized representative.

E. Document Certification Requirements. All applications, reports, or information submitted to the San Diego Water Board must be certified as follows:

"I certify under penalty of law that I have personally examined and am familiar with the information submitted in this document and all attachments and that, based on my inquiry of those individuals immediately responsible for obtaining the information, I believe that the information is true, accurate, and complete. I am aware that there are significant penalties for submitting false information, including the possibility of fine and imprisonment."

- F. **Document Submittal Address.** The Applicant must submit reports required under this Certification, or other information required by the San Diego Water Board, to:

Executive Officer
California Regional Water Quality Control Board
San Diego Region
Attn: 401 Certification No. R9-2013-0184:PIN 801466
2375 Northside Drive, Suite 100
San Diego, California 92108

V. NOTIFICATION REQUIREMENTS

- A. **Twenty Four Hour Non-Compliance Reporting.** The Applicant shall report any noncompliance which may endanger health or the environment. Any such information shall be provided orally to the San Diego Water Board within **24 hours** from the time the Applicant becomes aware of the circumstances. A written submission shall also be provided within five days of the time the Applicant becomes aware of the circumstances. The written submission shall contain a description of the noncompliance and its cause; the period of noncompliance, including exact dates and times, and if the noncompliance has not been corrected; the anticipated time it is expected to continue; and steps taken or planned to reduce, eliminate, and prevent recurrence of the noncompliance. The San Diego Water Board, or an authorized representative, may waive the written report on a case-by-case basis if the oral report has been received within 24 hours.
- B. **Anticipated Noncompliance.** The Applicant shall give advance notice to the San Diego Water Board of any planned changes in the Project or the Compensatory Mitigation project which may result in noncompliance with Certification conditions or requirements.
- C. **Transfers.** This Certification is not transferable in its entirety or in part to any person or organization except after notice to the San Diego Water Board in accordance with the following terms:
1. **Transfer of Property Ownership:** The Applicant must notify the San Diego Water Board of any change in ownership of the Project area. Notification of change in ownership must include, but not be limited to, a statement that the Applicant has provided the purchaser with a copy of the Section 401 Water Quality Certification and that the purchaser understands and accepts the certification requirements and the obligation to implement them or be subject to liability for failure to do so; the seller and purchaser must sign and date the notification and provide such notification to the San Diego Water Board **within 10 days of the transfer of ownership.**
 2. **Transfer of Mitigation Responsibility:** Any notification of transfer of responsibilities to satisfy the mitigation requirements set forth in this Certification must include a signed statement from an authorized representative of the new party (transferee) demonstrating acceptance and understanding of the responsibility to comply with and fully satisfy the mitigation conditions and agreement that failure to comply with the mitigation conditions and associated requirements may subject the

transferee to enforcement by the San Diego Water Board under Water Code section 13385, subdivision (a). Notification of transfer of responsibilities meeting the above conditions must be provided to the San Diego Water Board **within 10 days of the transfer date.**

Upon properly noticed transfers of responsibility, the transferee assumes responsibility for compliance with this Certification and references in this Certification to the Applicant will be interpreted to refer to the transferee as appropriate. Transfer of responsibility does not necessarily relieve the Applicant of this Certification in the event that a transferee fails to comply.

D. **Discharge Commencement.** The Applicant must notify the San Diego Water Board in writing **at least 5 days prior to** the start of Project construction.

VI. CALIFORNIA ENVIRONMENTAL QUALITY ACT COMPLIANCE

- A. The San Diego Unified Port District is the Lead Agency under the California Environmental Quality Act (CEQA) (Public Resources Code section 21000, et seq.) section 21067, and CEQA Guidelines (California Code of Regulations, title 14, section 15000 et seq.) section 15367, and has determined that the Project is categorically exempt.¹
- B. The San Diego Water Board is a Responsible Agency under CEQA (Public Resources Code section 21069; CEQA Guidelines section 15381). The San Diego Water Board has independently determined that the project is categorically exempt because the project replaces existing structures located on the same site and will have substantially the same purpose and capacity as the structures being replaced.²
- C. As a Responsible Agency under CEQA, the San Diego Water Board will file a Notice of Exemption in accordance with CEQA Guidelines section 15062.

VII. SAN DIEGO WATER BOARD CONTACT PERSON

Lisa Honma, Environmental Scientist
California Regional Water Quality Control Board, San Diego Region
2375 Northside Drive, Suite 100
San Diego, California 92108
Telephone: 619-521-3367
Email: Lisa.Honma@waterboards.ca.gov

¹ 14 CCR section 15302

² 14 CCR section 15302

VIII. WATER QUALITY CERTIFICATION

I hereby certify that the proposed discharge from the **Gonzalez-Zavalegui Residence Dock Improvement Project** (Certification No. R9-2013-0184) will comply with the applicable provisions of sections 301 ("Effluent Limitations"), 302 ("Water Quality Related Effluent Limitations"), 303 ("Water Quality Standards and Implementation Plans"), 306 ("National Standards of Performance"), and 307 ("Toxic and Pretreatment Effluent Standards") of the Clean Water Act. This discharge is also regulated under State Water Board Order No. 2003-0017-DWQ, "*Statewide General Waste Discharge Requirements for Dredged or Fill Discharges that have Received State Water Quality Certification (General WDRs)*," which requires compliance with all conditions of this Water Quality Certification. Please note that enrollment under Order No. 2003-017-DWQ is conditional and, should new information come to our attention that indicates a water quality problem, the San Diego Water Board may issue individual waste discharge requirements at that time.

Except insofar as may be modified by any preceding conditions, all Certification actions are contingent on (a) the discharge being limited to, and all proposed mitigation being completed in strict compliance with, the applicants' Project description and/or the description in this Certification, and (b) compliance with all applicable requirements of the Basin Plan.

I, David W. Gibson, Executive Officer, do hereby certify the forgoing is a full, true, and correct copy of Certification No. R9-2013-0184 issued on June 27, 2014.



DAVID W. GIBSON
Executive Officer
San Diego Water Board

27 June 2014
Date

ATTACHMENT 1

DEFINITIONS

Activity - when used in reference to a permit means any action, undertaking, or project including, but not limited to, construction, operation, maintenance, repair, modification, and restoration which may result in any discharge to waters of the state.

Buffer - means an upland, wetland, and/or riparian area that protects and/or enhances aquatic resource functions associated with wetlands, rivers, streams, lakes, marine, and estuarine systems from disturbances associated with adjacent land uses.

California Rapid Assessment Method (CRAM) - is a wetland assessment method intended to provide a rapid, scientifically-defensible and repeatable assessment methodology to monitor status and trends in the conditions of wetlands for applications throughout the state. It can also be used to assess the performance of compensatory mitigation projects and restoration projects. CRAM provides an assessment of overall ecological condition in terms of four attributes: landscape context and buffer, hydrology, physical structure and biotic structure. CRAM also includes an assessment of key stressors that may be affecting wetland condition and a "field to PC" data management tool (eCRAM) to ensure consistency and quality of data produced with the method.

Compensatory Mitigation Project - means compensatory mitigation implemented by the Applicant as a requirement of this Certification (i.e., applicant -responsible mitigation), or by a mitigation bank or an in-lieu fee program.

Discharge of dredged material – means any addition of dredged material into, including redeposit of dredged material other than incidental fallback within, the waters of the United States and/or State.

Discharge of fill material – means the addition of fill material into waters of the United States and/or State.

Dredged material – means material that is excavated or dredged from waters of the United States and/or State.

Ecological Success Performance Standards – means observable or measurable physical (including hydrological), chemical, and/or biological attributes that are used to determine if a compensatory mitigation project meets its objectives.

Enhancement – means the manipulation of the physical, chemical, or biological characteristics of an aquatic resource to improve a specific aquatic resource function(s). Enhancement results in the gain of selected aquatic resource function(s), but may also lead to a decline in other aquatic resource function(s). Enhancement does not result in a gain in aquatic resource area.

Establishment – means the manipulation of the physical, chemical, or biological characteristics present to develop an aquatic resource that did not previously exist. Creation results in a gain in aquatic resource area.

Fill material – means any material used for the primary purpose of replacing an aquatic area with dry land or of changing the bottom elevation of a water body.

Isolated wetland – means a wetland with no surface water connection to other aquatic resources.

Mitigation Bank – means a site, or suite of sites, where resources (e.g., wetlands, streams, riparian areas) are restored, established, enhanced, and/or preserved for the purpose of providing mitigation for impacts authorized by this Certification.

Preservation - means the removal of a threat to, or preventing the decline of, aquatic resources by an action in or near those aquatic resources. This term includes activities commonly associated with the protection and maintenance of aquatic resources through the implementation of appropriate legal and physical mechanisms. Preservation does not result in a gain of aquatic resource area or functions.

Re-establishment - means the manipulation of the physical, chemical, or biological characteristics of a site with the goal of returning natural/ historic functions to a former aquatic resource. Re-establishment results in rebuilding a former aquatic resource and results in a gain in aquatic resource area and functions.

Rehabilitation - means the manipulation of the physical, chemical, or biological characteristics of a site with the goal of repairing natural/ historic functions to a degraded aquatic resource. Rehabilitation results in a gain in aquatic resource function, but does not result in a gain in aquatic resource area.

Restoration - means the manipulation of the physical, chemical, or biological characteristics of a site with the goal of returning natural/historic functions to a former or degraded aquatic resource. For the purpose of tracking net gains in aquatic resource area, restoration is divided into two categories: re-establishment and rehabilitation.

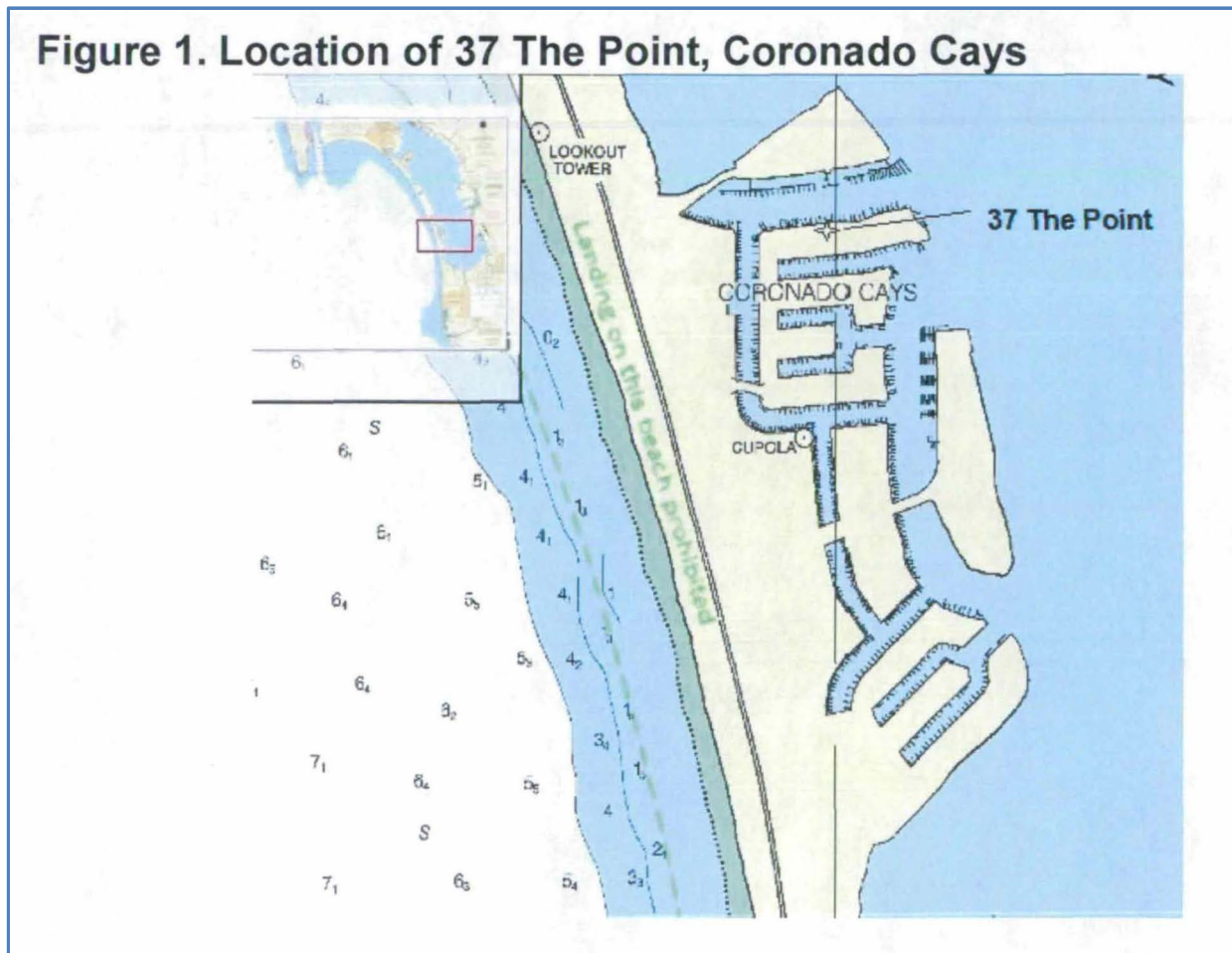
Start of Project Construction - For the purpose of this Certification, "start of Project construction" means to engage in a program of on-site construction, including site clearing, grading, dredging, landfilling, changing equipment, substituting equipment, or even moving the location of equipment specifically designed for a stationary source in preparation for the fabrication, erection or installation of the building components of the stationary source within waters of the United States and/or State.

Uplands - means non-wetland areas that lack any field-based indicators of wetlands or other aquatic conditions. Uplands are generally well-drained and occur above (i.e., up-slope) from nearby aquatic areas. Wetlands can, however, be entirely surrounded by uplands. For example, some natural seeps and constructed stock ponds lack aboveground hydrological connection to other aquatic areas. In the watershed context, uplands comprise the landscape matrix in which aquatic areas form. They are the primary sources of sediment, surface runoff, and associated chemicals that are deposited in aquatic areas or transported through them.

Water quality objectives and other appropriate requirements of state law – means the water quality objectives and beneficial uses as specified in the appropriate water quality control plan(s); the applicable provisions of sections 301, 302, 303, 306, and 307 of the Clean Water Act; and any other appropriate requirement of state law.

Mr. Gonzalez-Zavalegui
Gonzalez-Zavalegui Residence
Dock Improvement Project
Certification No. R9-2013-0184

ATTACHMENT 2 PROJECT FIGURES AND PLANS





Google earth





37 The Point, Coronado, CA 92118, USA

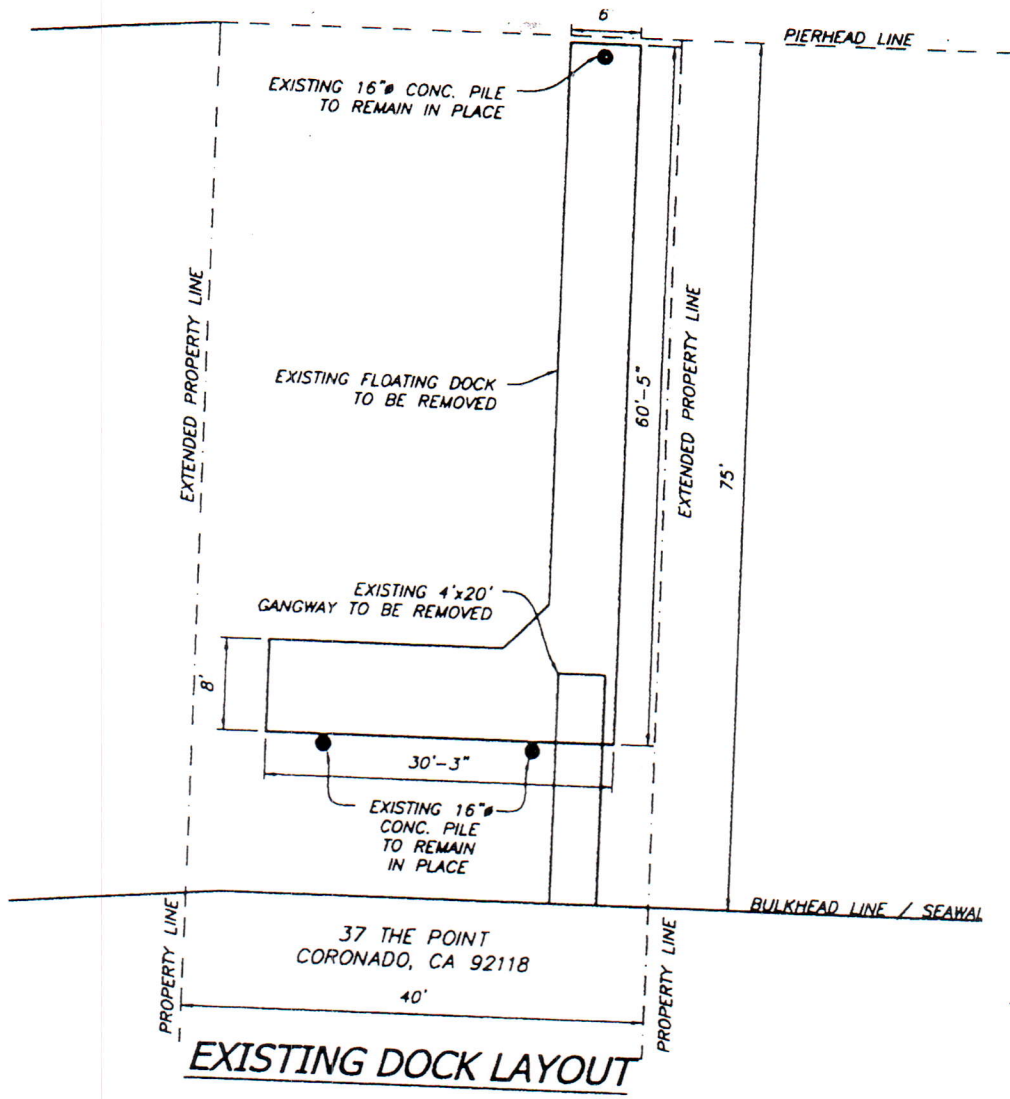
© 2013 INEGI

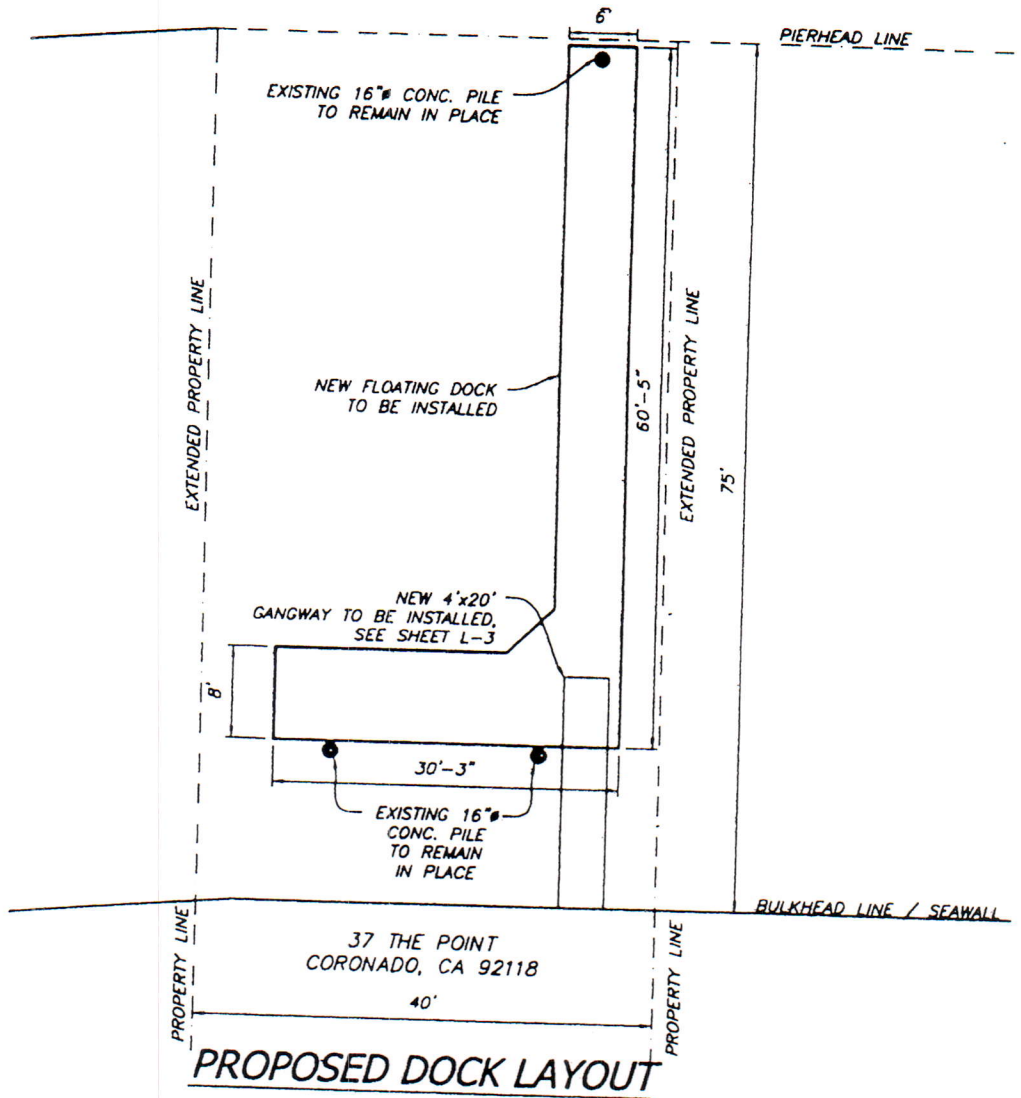
Google earth

Google earth

feet
meters



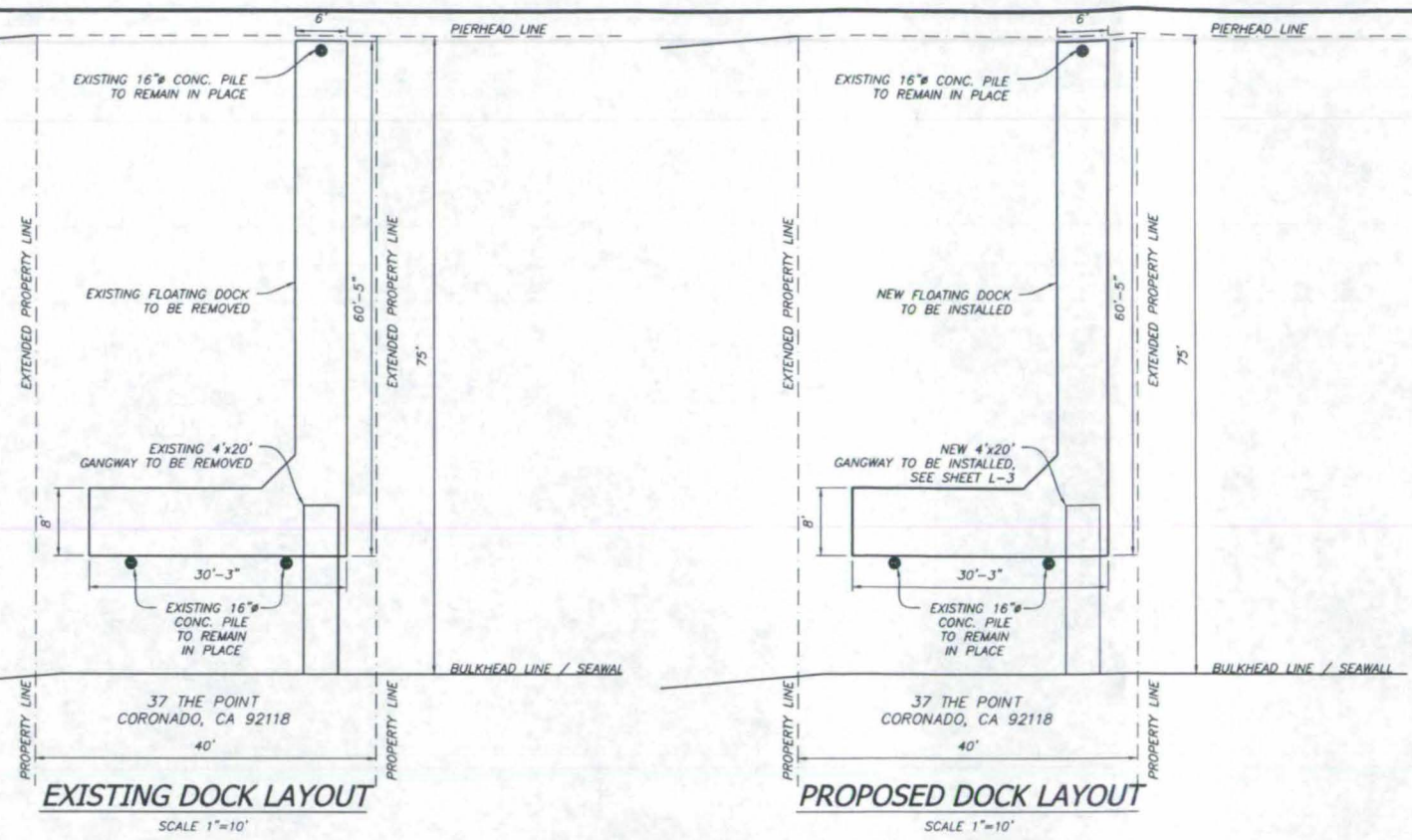




Printed On: Oct 24, 2013 - 5:18pm

2335 BB - Gonzalez-Zavalegui (CC) (2013-10-10).dwg

STATUS: PROJECT: GONZALEZ-ZAVALLEGUI 37 THE POINT CORONADO CAYS



EXISTING DOCK LAYOUT
SCALE 1"=10'

PROPOSED DOCK LAYOUT
SCALE 1"=10'

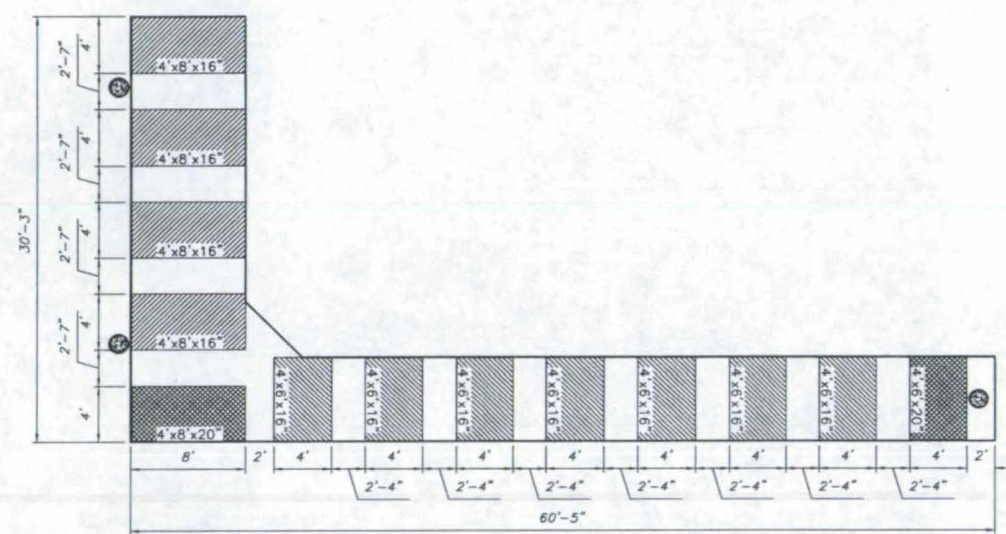
NOTE:
ALL FIELD MEASUREMENTS AND SITE PLAN ARE AS PROVIDED BY THE CONTRACTOR/OWNER/OWNER REPRESENTATIVE.

SCOPE OF WORK:

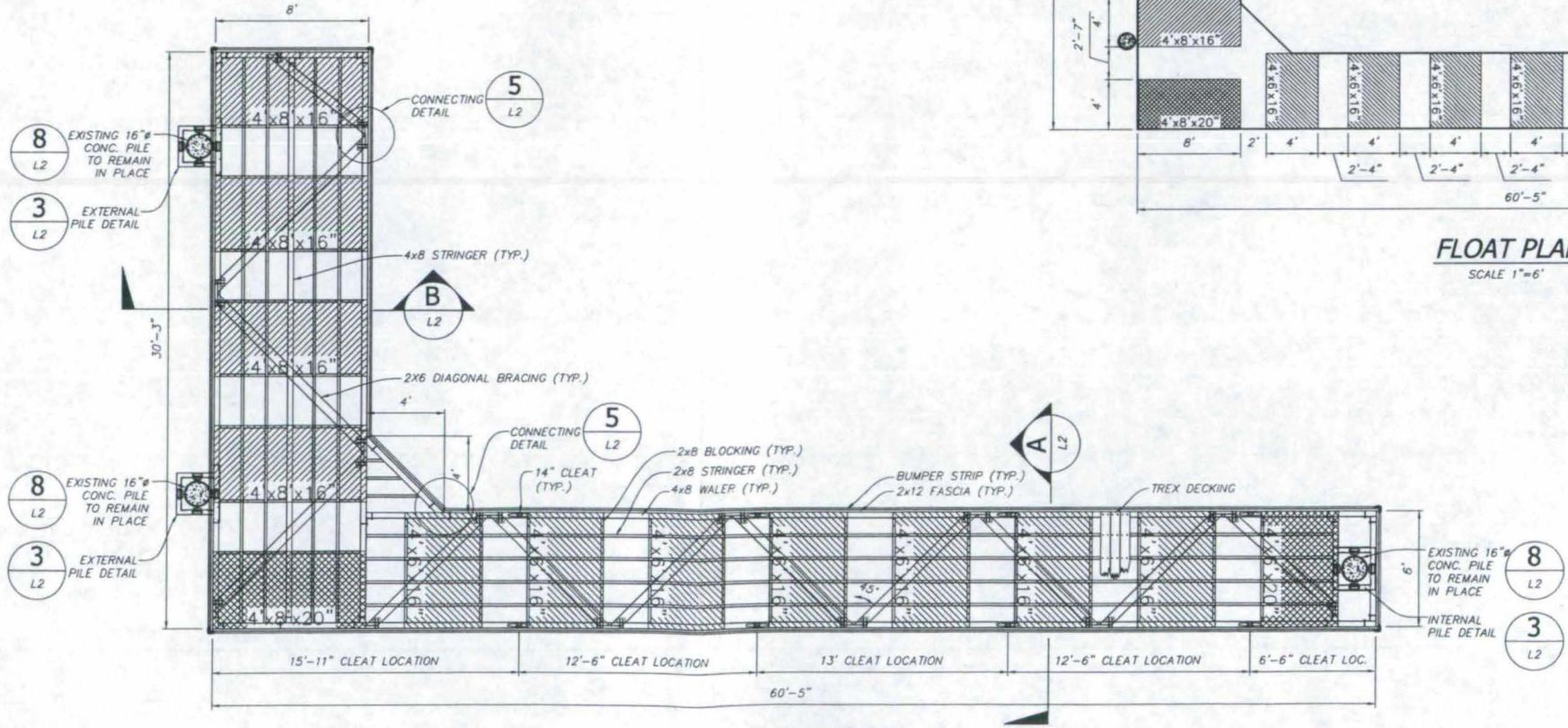
1. REMOVE AND REPLACE EXISTING FLOATING DOCK.
2. REMOVE AND REPLACE EXISTING 4'x20' GANGWAY.
3. EXISTING (3) 16" CONC. PILES TO REMAIN IN PLACE

SPECIFICATIONS

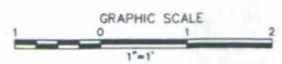
1. THIS DOCK STRUCTURE SHALL BE CONSTRUCTED IN ACCORDANCE WITH CURRENT "STANDARD SPECIFICATIONS FOR BOAT SLIPS, DOCK AND FLOATS WITHIN THE WHARFAGE AREA CORONADO CAYS DEVELOPMENT" AND "DEPARTMENT OF BOATING AND WATERWAYS - LAYOUT AND DESIGN GUIDELINES FOR SMALL CRAFT BERTHING FACILITIES".
2. PONTOONS SHALL BE SUPERFLOAT FLOAT DRUMS MANUFACTURED BY ACE ROTOMOLD.
3. ALL LUMBER SHALL BE NO. 1 GRADE DOUGLAS FIR OR BETTER. ALL LUMBER TO BE S4S & EXPOSED MEMBERS TO BE PICKED FOR APPEARANCE.
4. ALL LUMBER SHALL BE PRESSURES TREATED PER APWA STANDARD C-2 (ACQ). MINIMUM RETENTION 0.4 OR REFUSAL. ALL FIELD CUTS AND BORED HOLES TO RECEIVE A BRUSH OF COAT OF CONCENTRATED PRESERVATIVE.
5. ALL HARDWARE INCLUDING BOLTS, NAILS, CLIP ANGLES, ETC., SHALL BE HOT DIP GALVANIZED AFTER FABRICATION. GALVANIZED WASHERS SHALL BE USED WITH ALL NUTS & BOLTS BEARING ON WOOD SURFACES. ALL STEEL ANGLES, PLATES & SHAPES SHALL BE PER ASTM SPECIFICATION A-36.
6. DECKING SHALL BE TREX DECKING AS MANUFACTURED BY TREX COMPANY (800)289-8739.
7. GUIDE PILE ROLLER SHALL CONSIST OF A MOUNTING BRACKET FABRICATED FROM 1/4 INCH THICK STEEL PLATE TO WHICH IS ATTACHED A ROLLER MADE OF ULTRA HIGH MOLECULAR WEIGHT PLASTIC MOUNTED ON A A325 BOLT AXLE. MOUNTING BRACKET SHALL BE GALVANIZED AFTER FABRICATION. THE GUIDE PILE ROLLER SHALL BE A "SUPER PILE ROLLER" ITEM NO. 611HD, AS SUPPLIED BY HENDERSON MARINE SUPPLY, OR APPROVED EQUIVALENT.
8. ALL BOLTED CONNECTIONS SHALL USE FLAT WASHERS INSTALLED AT BOLT HEADS AND NUTS BEARING ON TIMBER.
9. CLEATS SHALL BE 14-INCH, HOT-DIP GALVANIZED, CAST-IRON CLEATS AS SUPPLIED BY HENDERSON AND FASTENED WITH THRU-BOLTS, NUTS, AND WASHERS OR APPROVED EQUIVALENT.



Float PLAN
SCALE 1"=6'



FRAMING PLAN
SCALE 1"=2'



PROJECT: **GONZALEZ-ZAVALLEGUI 37 THE POINT CORONADO CAYS**

CLIENT: **SWIFT SLIP DOCK & PIER BUILDERS, INC. COSTA MESA, CA**

APPROVED BY C.C.H.O.A. BOARD OF DIRECTORS AS RECOMMENDED BY THE A.E.C.C. DATE 11/25/2013



BLUE WATER Design Group
Planning and Engineering Services For Marinas and Waterfront Resorts

2500 Via Cabrillo Marina, Suite 200
San Pedro, CA 90731
Tel: 310 548 3132
Fax: 310 548 1924
DESIGNED BY: PT
DRAWN BY: JH
CHECKED BY: TB

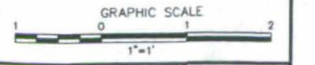
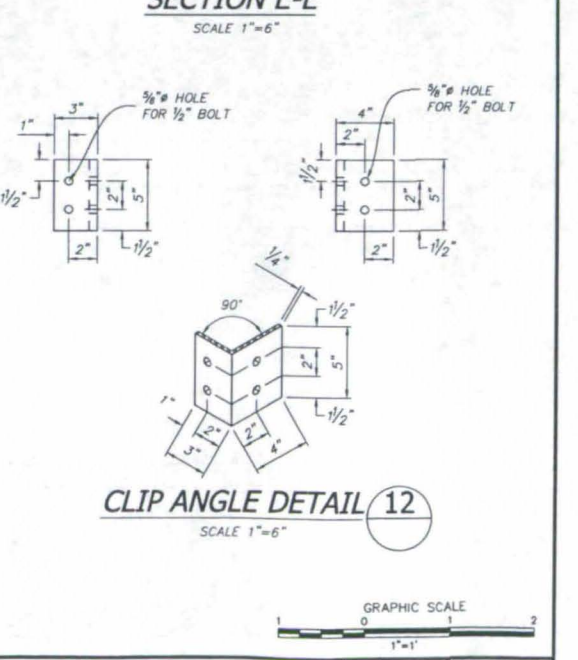
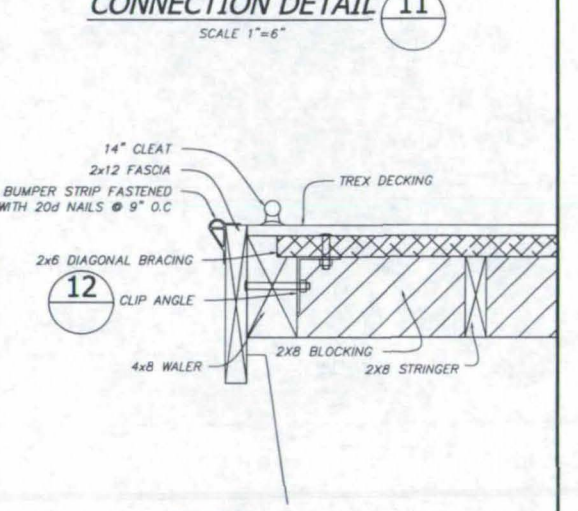
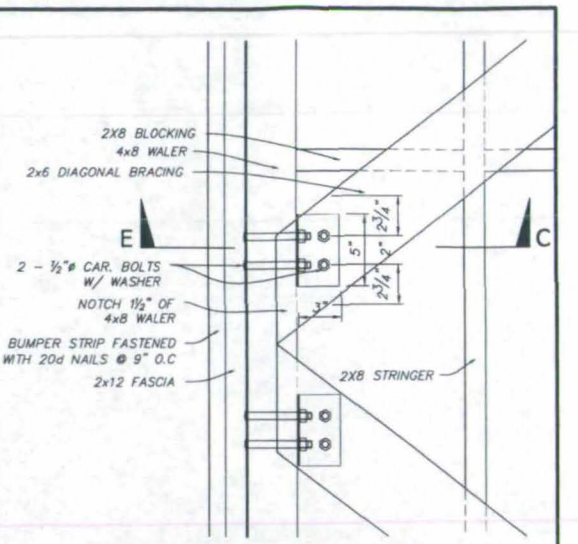
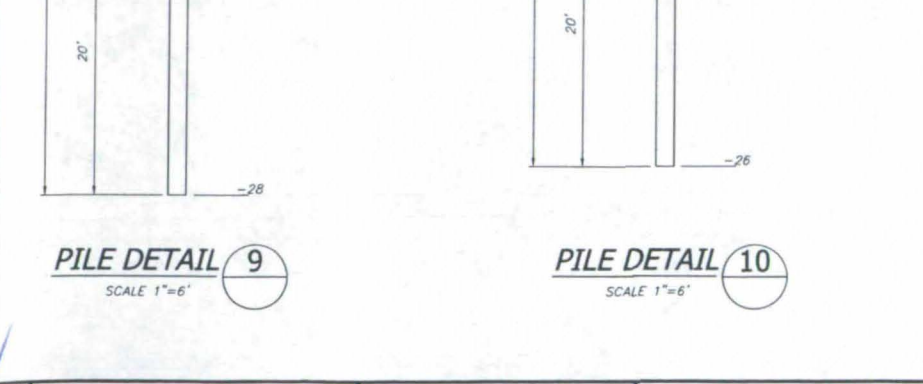
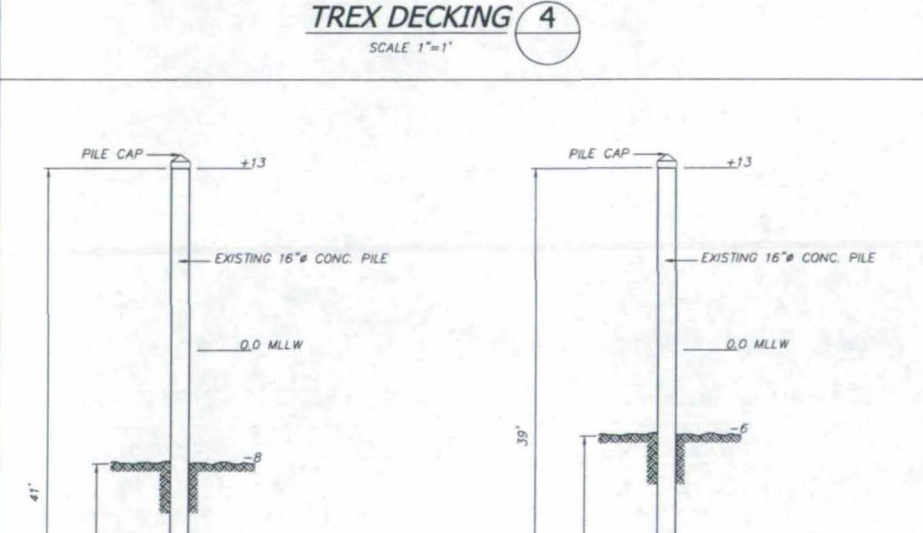
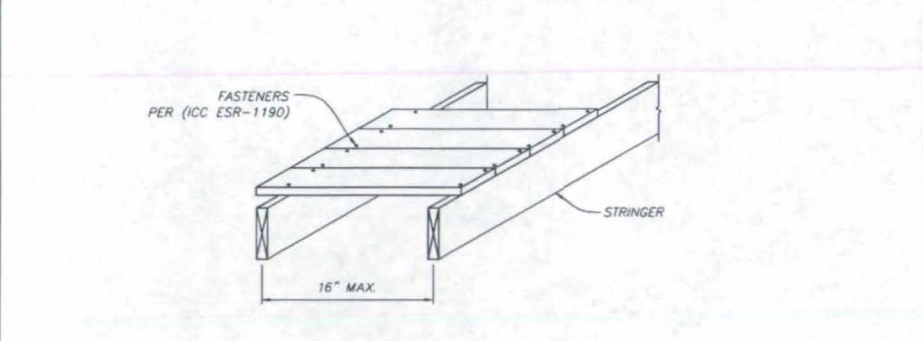
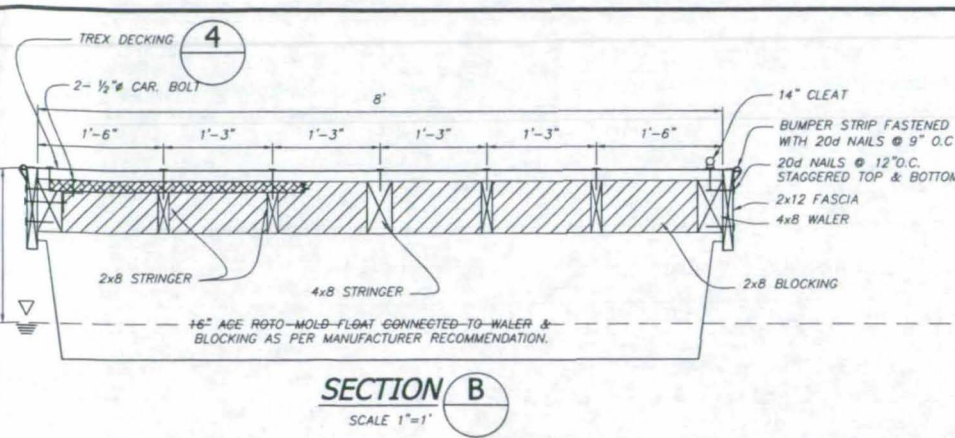
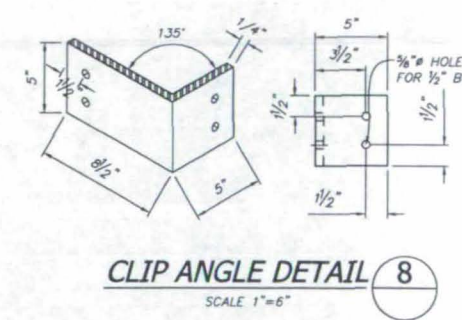
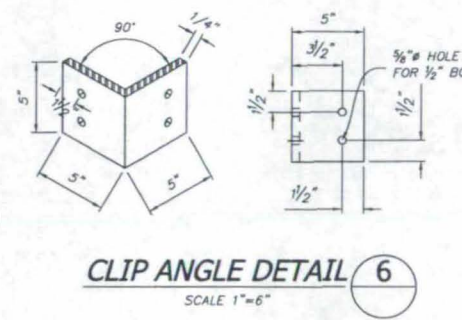
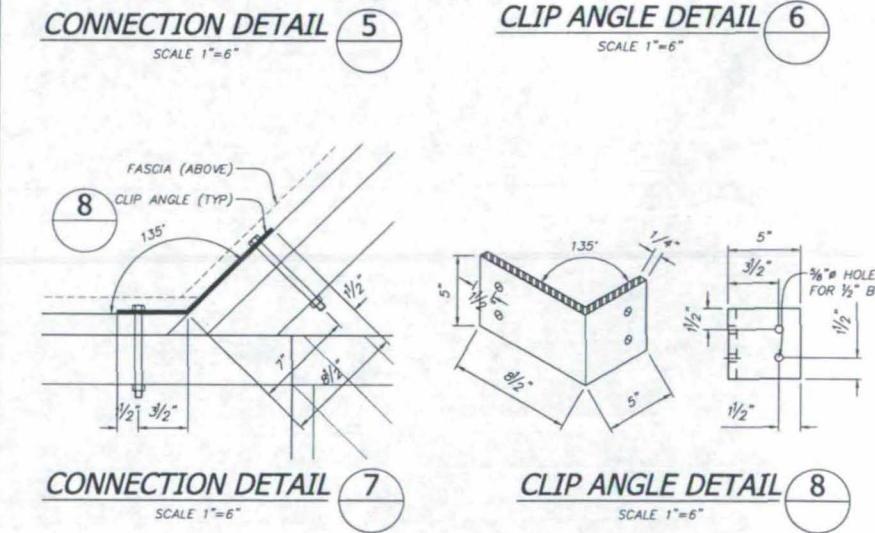
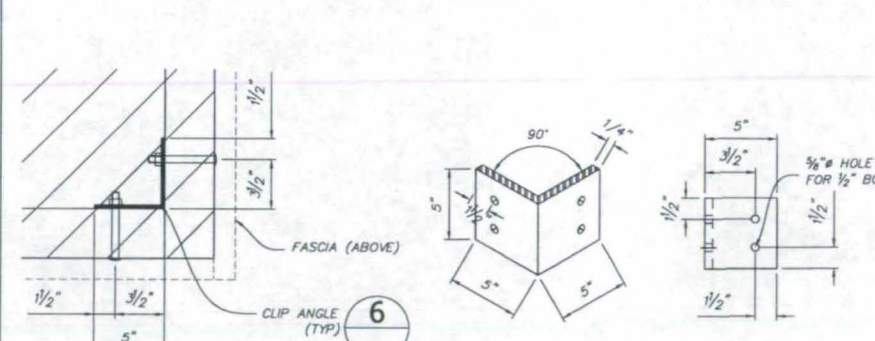
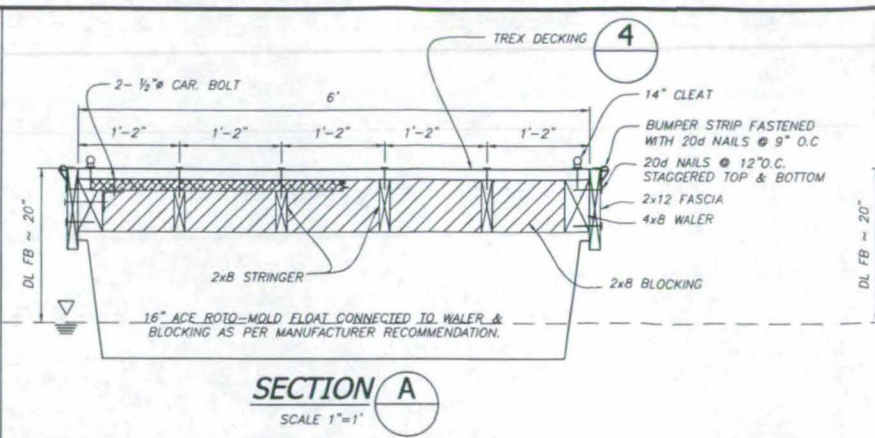
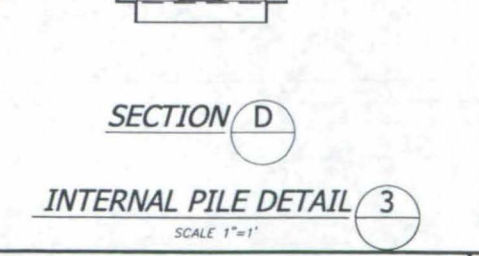
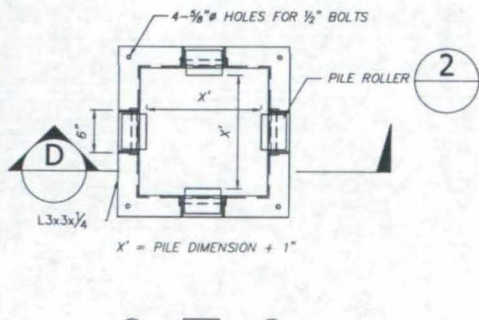
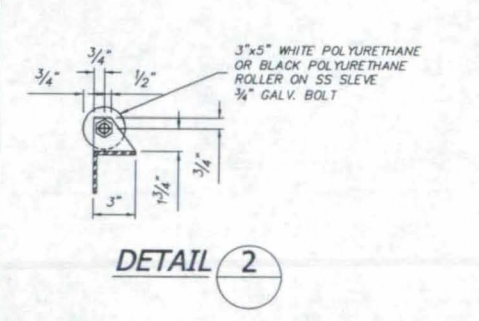
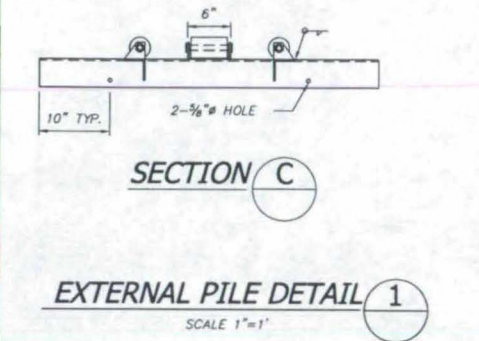
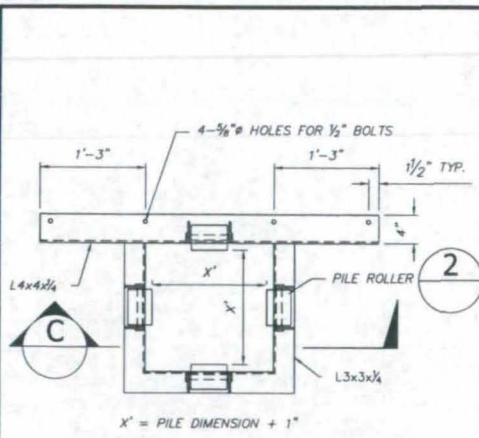
EXISTING VS PROPOSED SITE PLAN, FLOAT PLAN & FRAMING PLAN

SCALE	DATE
AS NOTED	10-24-13
JOB NO.	2335 - BB
SHEET	L-1
SHEET #	1 OF 3

Printed On: Oct 24, 2013 - 9:18am

2335 BB - Gonzalez-Zavalegui (C) (2013-10-10).dwg

STATUS: CONCEPT



PROJECT: **GONZALEZ-ZAVALAGUI**
37 THE POINT
CORONADO CAYS

CLIENT: **SWIFT SLIP DOCK & PIER**
BUILDERS, INC.
COSTA MESA, CA

DESIGNED BY: C.C.H.O.A.
 BOARD OF DIRECTORS
 AS RECOMMENDED BY THE
 A.E.C.C.
 DATE: 11/25/2013

REGISTERED PROFESSIONAL ENGINEER
 CIVIL
 No. C 50019
 Exp. 8/30/15
 STATE OF CALIFORNIA

BLUEWATER
 Design Group
 Planning and Engineering Services
 For Marinas and Waterfront Resorts

2500 Via Cabrillo Marina, Suite 200
 San Pedro, CA 90731
 Tel: 310 548 3132
 Fax: 310 548 1924

DESIGNED BY: PT
 DRAWN BY: JH
 CHECKED BY: TB

DOCK DETAILS

SCALE: AS NOTED
 DATE: 10-24-13
 JOB NO: 2335 - BB
 SHEET: L-2
 SHEET # 2 OF 3

