



San Diego Regional Water Quality Control Board

January 7, 2016

Certified Mail – Return Receipt Requested

Article Number: 7011 0470 0002 8952 7908

Mr. Matt Bennett
City of Wildomar
23873 Clinton Keith Road, Suite 201
Wildomar, CA 92595

**In reply/refer to:
R9-2015-0159:818543:dbradford**

Subject: Clean Water Act Section 401 Water Quality Certification No. R9-2015-0159 for the Wildomar Master Drainage Plan Lateral C-1 Storm Drain Project

Mr. Bennett:

Enclosed find Clean Water Act Section 401 Water Quality Certification No. R9-2015-0159 (Certification) issued by the California Regional Water Quality Control Board, San Diego Region (San Diego Water Board) in response to the application submitted by City of Wildomar for the Wildomar Master Drainage Plan Lateral C-1 Storm Drain Project (Project). A description of the Project and Project location can be found in the Certification and site maps which are included as attachments to the Certification.

City of Wildomar is enrolled under State Water Resources Control Board Order No. 2003-017-DWQ as a condition of the Certification and is required to implement and comply with all terms and conditions of the Certification in order to ensure that water quality standards are met for the protection of wetlands and other aquatic resources. Failure to comply with this Certification may subject City of Wildomar to enforcement actions by the San Diego Water Board including administrative enforcement orders requiring City of Wildomar to cease and desist from violations or to clean up waste and abate existing or threatened conditions of pollution or nuisance; administrative civil liability in amounts of up to \$10,000 per day per violation; referral to the State Attorney General for injunctive relief; and, referral to the District Attorney for criminal prosecution.

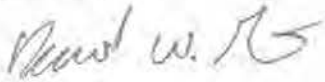
Please submit all reports and information required under this Certification in electronic format via e-mail to SanDiego@waterboards.ca.gov. Documents over 50 megabytes will not be accepted via e-mail and must be placed on a disc and delivered to the San Diego Water Board, 2375 Northside Drive, San Diego, CA 92108. Each electronic document must be submitted as a single file, in Portable Document Format (PDF), and converted to text searchable format using Optical Character Recognition (OCR). All electronic documents must include scanned copies of all signature pages; electronic signatures will not be accepted. Electronic documents submitted to the San Diego Water Board must include the following identification numbers in the header or subject line: Certification No. R9-2015-0159:818543:dbradford.

HENRY ABARBANEL, PH.D., CHAIR | DAVID GIBSON, EXECUTIVE OFFICER

2375 Northside Drive, Suite 100, San Diego, California 92108-2700 | www.waterboards.ca.gov/sandiego

For questions or comments regarding the Certification, please contact Darren Bradford by telephone at (619) 521-3356 or by email at darren.bradford@waterboards.ca.gov.

Respectfully,



DAVID W. GIBSON
Executive Officer

Enclosure:

Clean Water Act Section 401 Water Quality Certification No. R9-2015-0159 for the Wildomar Master Drainage Plan Lateral C-1 Storm Drain Project

DWG:jgs:eb:dlb

cc:

U.S. Army Corps of Engineers, Regulatory
Branch
San Diego Field Office
Peggy Bartels
Peggy.J.Bartels@usace.army.mil

California Department of Fish and Game
South Coast Region
Habitat Conservation Planning – South
Kim Freeburn
Kim.Freeburn@wildlife.ca.gov

U.S. EPA, OWOW, Region 9
R9-WTR8-Mailbox@epa.gov

State Water Resources Control Board,
Division of Water Quality
401 Water Quality Certification and
Wetlands Unit
Stateboard401@waterboards.ca.gov

Mr. Eric Becker
San Diego Water Board
Eric.Becker@waterboards.ca.gov

Mr. David Barker
San Diego Water Board
David.Barker@waterboards.ca.gov

Scot Chandler
Amec Foster Wheeler
scot.chandler@amecfw.com

Tech Staff Information	
Certification No.	R9-2015-0159
Party ID	525764
Reg. Meas. ID	403080
Place ID	818543
Person ID	553239
WDID	90000002904

**CALIFORNIA REGIONAL WATER QUALITY CONTROL BOARD
SAN DIEGO REGION**

2375 Northside Drive, Suite 100, San Diego, CA 92108
Phone (619) 516-1990 • Fax (619) 516-1994
<http://www.waterboards.ca.gov/sandiego/>

Clean Water Act Section 401 Water Quality Certification
and Waste Discharge Requirements
for Discharge of Dredged and/or Fill Materials

PROJECT: Wildomar Master Drainage Plan Lateral C-1 Storm
Drain Project
Certification Number R9-2015-0159
WDID: 9000002904

Reg. Meas. ID: 403080 Place ID: 818543 Party ID: 525764 Person ID: 553239
--

APPLICANT: City of Wildomar
23873 Clinton Keith Road, Suite 201
Wildomar, CA 92595

ACTION:

<input type="checkbox"/> Order for Low Impact Certification	<input type="checkbox"/> Order for Denial of Certification
<input checked="" type="checkbox"/> Order for Technically-conditioned Certification	<input type="checkbox"/> Enrollment in Isolated Waters Order No. 2004-004-DWQ
<input checked="" type="checkbox"/> Enrollment in SWRCB GWDR Order No. 2003-017-DWQ	

PROJECT DESCRIPTION

An application dated October 1, 2015 was submitted by City of Wildomar (hereinafter Applicant), for Water Quality Certification pursuant to section 401 of the Clean Water Act (United States Code (USC) Title 33, section 1341) for the proposed Wildomar Master Drainage Plan Lateral C-1 Storm Drain Project (Project). The California Regional Water Quality Control Board, San Diego Region (San Diego Water Board) deemed the application to be complete on December 7, 2015. The Applicant proposes to discharge dredged or fill material to waters of the United States and/or State associated with construction activity at the Project site. The Applicant has also applied for a Clean Water Act section 404 permit from the United States Army Corps of Engineers for the Project (USACE File No. SPL-2015-00629).

The Project is located within the City of Wildomar, Riverside County, California along Refa Street from approximately Palomar Street to the Charles Street and Woshka Lane intersection. A 500-foot lateral will also extend northwesterly from the Charles Street and Refa Street intersection to Billie Ann Road. The Project center reading is located at latitude 33.60091 and longitude -117.26430. The Applicant has paid all required application fees for this Certification in the amount of \$1,485.00. On an annual basis, the Applicant shall also pay all active discharge fees and post discharge monitoring fees, as appropriate¹. On December 7, 2015,

¹ The Applicant shall pay an annual active discharge fee each fiscal year or portion of a fiscal year during which discharges occur until the regional board or the State Board issues a Notice of Completion of Discharges Letter to the discharger. Dischargers shall pay an annual post-discharge monitoring fee each fiscal year or portion of a fiscal year commencing with the
(footnote continued on next page)

Wildomar Master Drainage Plan Lateral C-1 Storm Drain Project
Certification No. R9-2015-0159

the San Diego Water Board provided public notice of the Project application pursuant to California Code of Regulations, title 23, section 3858 by posting information describing the Project on the San Diego Water Board's web site and providing a period of twenty-one days for public review and comment. No comments were received.

The Applicant proposes to connect existing upstream city owned drainage facilities to the existing downstream Lateral C Channel that is owned and operated by the Riverside County Flood Control and Water Conservation District (District) under a Cooperative Agreement that is being finalized between the City and the District. The Project is necessary to adequately protect the surrounding tributary area from flood damage associated with a 100-Year Storm Event. Facilities to be constructed consist of: (1) Approximately 1,310 feet of 84 inch diameter and 498 feet of 90 inch diameter reinforced concrete pipe (RCP) storm drain within Charles Street trending northwest to a junction with a 84 inch diameter storm drain in Refa Street, then within Refa Street to a culvert crossing in Palomar Street, (2) approximately 544 feet of 72 inch diameter RCP storm drain within Billie Ann Road trending southeast to a junction with the 84 inch diameter storm drain in Refa Street, and (3) a 7 foot by 7 foot box culvert crossing Palomar Street to the existing Lateral C Channel. After the project is constructed the on-site drainages will only receive low volume flows to support on-site beneficial uses. High flows will be conveyed in the Lateral C-1 storm drain. Lateral C-1 will accept 100 year storm flows from adjacent developments as well as discharge tributary to the channel. These flows will be conveyed to Palomar Street, where the channel will connect to the District's existing Wildomar MDP Lateral C Channel. Flows will continue down Wildomar Channel and into Murrieta Creek.

The Project application includes a description of the design objective, operation, and degree of treatment expected to be attained from equipment, facilities, or activities (including construction and post-construction BMPs) to treat waste and reduce runoff or other effluents which may be discharged. Compliance with the Certification conditions will help ensure that construction and post-construction discharges from the Project will not cause on-site or off-site downstream erosion, damage to downstream properties, or otherwise damage stream habitats in violation of water quality standards in the *Water Quality Control Plan for the San Diego Basin (9)* (Basin Plan).

Project construction will permanently impact 0.02 acre (110 linear feet) of streambed waters of the United States and/or State. No waters of the United States and/or State will receive temporary discharges of fill associated with the Project. The Applicant reports that the Project purpose cannot be practically accomplished in a manner which would avoid or result in less adverse impacts to aquatic resources considering all potential practicable alternatives, such as the potential for alternate available locations, designs, reductions in size, configuration or density.

All impacts to jurisdictional areas will be to existing rip-rap and concrete. There will be no impacts to the sandy streambed of the on-site drainages and no riparian vegetation will be

(footnote continued from previous page)

first fiscal year following the fiscal year in which the regional board or State Board issued a Notice of Completion of Discharges Letter to the discharger, but continued water quality monitoring or compensatory mitigation monitoring is required. Dischargers shall pay the annual post-discharge monitoring fee each fiscal year until the regional board or the State Board issues a Notice of Project Complete Letter to the discharger. Additional information regarding fees can be found electronically at the following location: http://www.waterboards.ca.gov/water_issues/programs/cwa401/docs/dredgefillcalculator.xlsx

Wildomar Master Drainage Plan Lateral C-1 Storm Drain Project
Certification No. R9-2015-0159

impacted by the project. Accordingly, compensatory mitigation for impacts attributable to the Project is not required under this Certification.

Additional Project details are provided in Attachments 1 through 3 of this Certification.

TABLE OF CONTENTS

I.	STANDARD CONDITIONS.....	5
II.	GENERAL CONDITIONS	5
III.	CONSTRUCTION BEST MANAGEMENT PRACTICES	8
IV.	POST-CONSTRUCTION BEST MANAGEMENT PRACTICES	10
V.	PROJECT IMPACTS AND COMPENSATORY MITIGATION	10
VI.	MONITORING AND REPORTING REQUIREMENTS	11
VII.	NOTIFICATION REQUIREMENTS	14
VIII.	CALIFORNIA ENVIRONMENTAL QUALITY ACT COMPLIANCE	16
IX.	SAN DIEGO WATER BOARD CONTACT PERSON	17
X.	WATER QUALITY CERTIFICATION.....	17

Attachments:

1. Definitions
2. Project Location Maps
3. Project Site Plans

I. STANDARD CONDITIONS

Pursuant to section 3860 of title 23 of the California Code of Regulations, the following three standard conditions apply to all water quality certification actions:

- A. This Certification action is subject to modification or revocation upon administrative or judicial review, including review and amendment pursuant to section 13330 of the Water Code and chapter 28, article 6 (commencing with title 23, section 3867), of the California Code of Regulations.
- B. This Certification action is not intended and shall not be construed to apply to any discharge from any activity involving a hydroelectric facility and requiring a Federal Energy Regulatory Commission (FERC) license or an amendment to a FERC license unless the pertinent Certification application was filed pursuant to California Code of Regulations title 23, section 3855 subdivision (b), and that application specifically identified that a FERC license or amendment to a FERC license for a hydroelectric facility was being sought.
- C. This Certification action is conditioned upon total payment of any fee required under title 23, chapter 28 (commencing with section 3830) of California Code of Regulations and owed by the applicant.

II. GENERAL CONDITIONS

- A. **Term of Certification.** Water Quality Certification No. R9-2015-0159 (Certification) shall expire upon a) the expiration or retraction of the Clean Water Act section 404 (33 USC Title 33, section 1344) permit issued by the U.S. Army Corps of Engineers for this Project, or b) five (5) years from the date of issuance of this Certification, whichever occurs first.
- B. **Duty to Comply.** The Applicant must comply with all conditions and requirements of this Certification. Any Certification noncompliance constitutes a violation of the Water Code and is grounds for enforcement action or Certification termination, revocation and reissuance, or modification.
- C. **General Waste Discharge Requirements.** The requirements of this Certification are enforceable through Water Quality Order No. 2003-0017-DWQ, *Statewide General Waste Discharge Requirements for Discharges of Dredged or Fill Material that have Received State Water Quality Certification* (Water Quality Order No. 2003-0017-DWQ). This provision shall apply irrespective of whether a) the federal permit for which the Certification was obtained is subsequently retracted or is expired, or b) the Certification is expired. Water Quality Order No. 2003-0017-DWQ is accessible at:

http://www.waterboards.ca.gov/water_issues/programs/cwa401/docs/generalorders/gowdr401regulated_projects.pdf.

- D. **Project Conformance with Application.** All water quality protection measures and BMPs described in the application and supplemental information for water quality certification are incorporated by reference into this Certification as if fully stated herein. Notwithstanding any more specific conditions in this Certification, the Applicant shall construct, implement and comply with all water quality protection measures and BMPs described in the application and supplemental information. The conditions within this Certification shall supersede conflicting provisions within the application and supplemental information submitted as part of this Certification action.
- E. **Project Conformance with Water Quality Control Plans or Policies.** Notwithstanding any more specific conditions in this Certification, the Project shall be constructed in a manner consistent with the Basin Plan and any other applicable water quality control plans or policies adopted or approved pursuant to the Porter Cologne Water Quality Act (Division 7, commencing with Water Code Section 13000) or section 303 of the Clean Water Act (33 USC section 1313). The Basin Plan is accessible at:
- http://www.waterboards.ca.gov/sandiego/water_issues/programs/basin_plan/index.shtml
- F. **Project Modification.** The Applicant must submit any changes to the Project, including Project operation, which would have a significant or material effect on the findings, conclusions, or conditions of this Certification, to the San Diego Water Board for prior review and written approval. If the San Diego Water Board is not notified of a significant change to the Project, it will be considered a violation of this Certification.
- G. **Certification Distribution Posting.** During Project construction, the Applicant must maintain a copy of this Certification at the Project site. This Certification must be available at all times to site personnel and agencies. A copy of this Certification shall also be provided to any contractor or subcontractor performing construction work, and the copy shall remain in their possession at the Project site.
- H. **Inspection and Entry.** The Applicant must allow the San Diego Water Board or the State Water Resources Control Board, and/or their authorized representative(s) (including an authorized contractor acting as their representative), upon the presentation of credentials and other documents as may be required under law, to:
1. Enter upon the Project or Compensatory Mitigation site(s) premises where a regulated facility or activity is located or conducted, or where records must be kept under the conditions of this Certification;
 2. Have access to and copy, at reasonable times, any records that must be kept under the conditions of this Certification;
 3. Inspect, at reasonable times, any facilities, equipment (including monitoring and control equipment), practices, or operations regulated or required under this Certification; and

4. Sample or monitor, at reasonable times, for the purposes of assuring Certification compliance, or as otherwise authorized by the Clean Water Act or Water Code, any substances or parameters at any location.
- I. **Enforcement Notification.** In the event of any violation or threatened violation of the conditions of this Certification, the violation or threatened violation shall be subject to any remedies, penalties, process or sanctions as provided for under State law. For purposes of section 401(d) of the Clean Water Act, the applicability of any State law authorizing remedies, penalties, process or sanctions for the violation or threatened violation constitutes a limitation necessary to assure compliance with the water quality standards and other pertinent requirements incorporated into this Certification.
- J. **Certification Actions.** This Certification may be modified, revoked and reissued, or terminated for cause including but not limited to the following:
1. Violation of any term or condition of this Certification;
 2. Monitoring results indicate that continued Project activities could violate water quality objectives or impair the beneficial uses of Murrieta Creek or its tributaries;
 3. Obtaining this Certification by misrepresentation or failure to disclose fully all relevant facts;
 4. A change in any condition that requires either a temporary or permanent reduction or elimination of the authorized discharge; and
 5. Incorporation of any new or revised water quality standards and implementation plans adopted or approved pursuant to the Porter-Cologne Water Quality Control Act or section 303 of the Clean Water Act.
- The filing of a request by the Applicant for modification, revocation and reissuance, or termination, or a notification of planned changes or anticipated noncompliance does not stay any Certification condition.
- K. **Duty to Provide Information.** The Applicant shall furnish to the San Diego Water Board, within a reasonable time, any information which the San Diego Water Board may request to determine whether cause exists for modifying, revoking and reissuing, or terminating this Certification or to determine compliance with this Certification.
- L. **Property Rights.** This Certification does not convey any property rights of any sort, or any exclusive privilege.
- M. **Petitions.** Any person aggrieved by this action of the San Diego Water Board may petition the State Water Resources Control Board (State Water Board) to review the action in accordance with the California Code of Regulations, title 23, sections 3867 and following. The State Water Board must receive the petition by 5:00 p.m., 30 days after the date of this Certification. Copies of the law and regulations applicable to filing petitions may be found on the Internet at:

http://www.waterboards.ca.gov/public_notices/petitions/water_quality or will be provided upon request.

III. CONSTRUCTION BEST MANAGEMENT PRACTICES

- A. **Approvals to Commence Construction.** The Applicant shall not commence Project construction until all necessary federal, State, and local approvals are obtained.
- B. **Personnel Education.** Prior to the start of the Project, and annually thereafter, the Applicant must educate all personnel on the requirements in this Certification, pollution prevention measures, spill response measures, and BMP implementation and maintenance measures.
- C. **Spill Containment Materials.** The Applicant must, at all times, maintain appropriate types and sufficient quantities of materials on-site to contain any spill or inadvertent release of materials that may cause a condition of pollution or nuisance if the materials reach waters of the United States and/or State.
- D. **General Construction Storm Water Permit.** Prior to start of Project construction, the Applicant must, as applicable, obtain coverage under, and comply with, the requirements of State Water Resources Control Board Water Quality Order No. 2009-0009-DWQ, the *General Permit for Storm Water Discharges Associated with Construction and Land Disturbance Activity*, (General Construction Storm Water Permit) and any reissuance. If Project construction activities do not require coverage under the General Construction Storm Water Permit, the Applicant must develop and implement a runoff management plan (or equivalent construction BMP plan) to prevent the discharge of sediment and other pollutants during construction activities.
- E. **Waste Management.** The Applicant must properly manage, store, treat, and dispose of wastes in accordance with applicable federal, state, and local laws and regulations. Waste management shall be implemented to avoid or minimize exposure of wastes to precipitation or storm water runoff. The storage, handling, treatment, or disposal of waste shall not create conditions of pollution, contamination or nuisance as defined in Water Code section 13050. Upon Project completion, all Project generated debris, building materials, excess material, waste, and trash shall be removed from the Project site(s) for disposal at an authorized landfill or other disposal site in compliance with federal, state and local laws and regulations.
- F. **Waste Management.** Except for a discharge permitted under this Certification, the dumping, deposition, or discharge of trash, rubbish, unset cement or asphalt, concrete, grout, damaged concrete or asphalt, concrete or asphalt spoils, wash water, organic or earthen material, steel, sawdust or other construction debris waste from Project activities directly into waters of the United States and or State, or adjacent to such waters in any manner which may permit its being transported into the waters, is prohibited.

- G. **Downstream Erosion.** Discharges of concentrated flow during construction or after Project completion must not cause downstream erosion or damage to properties or stream habitat.
- H. **Construction Equipment.** All equipment must be washed prior to transport to the Project site and must be free of sediment, debris, and foreign matter. All equipment used in direct contact with surface water shall be steam cleaned prior to use. All equipment using gas, oil, hydraulic fluid, or other petroleum products shall be inspected for leaks prior to use and shall be monitored for leakage. Stationary equipment (e.g., motors, pumps, generator, etc.) shall be positioned over drip pans or other types of containment.
- I. **Process Water.** Water containing mud, silt, or other pollutants from equipment washing or other activities, must not be discharged to waters of the United States and/or State or placed in locations that may be subjected to storm water runoff flows. Pollutants discharged to areas within a stream diversion must be removed at the end of each work day or sooner if rain is predicted.
- J. **Surface Water Diversion.** All surface waters, including ponded waters, must be diverted away from areas of active grading, construction, excavation, vegetation removal, and/or any other activity which may result in a discharge to the receiving water. Diversion activities must not result in the degradation of beneficial uses or exceedance of the receiving water quality objectives. Any temporary dam or other artificial obstruction constructed must only be built from materials such as clean gravel which will cause little or no siltation. Normal flows must be restored to the affected stream immediately upon completion of work at that location.
- K. **Re-vegetation and Stabilization.** All areas that have 14 or more days of inactivity must be stabilized within 14 days of the last activity. The Applicant shall implement and maintain BMPs to prevent erosion of the rough graded areas. After completion of grading, all areas must be re-vegetated with native species appropriate for the area. The re-vegetation palette must not contain any plants listed on the California Invasive Plant Council Invasive Plant Inventory, which can be accessed at <http://www.cal-ipc.org/ip/inventory/>.
- L. **Hazardous Materials.** Except as authorized by this Certification, substances hazardous to aquatic life including, but not limited to, petroleum products, unused cement/concrete, asphalt, and coating materials, must be prevented from contaminating the soil and/or entering waters of the United States and/or State. BMPs must be implemented to prevent such discharges during each Project activity involving hazardous materials.
- M. **Vegetation Removal.** Removal of vegetation must occur by hand, mechanically, or through application of United States Environmental Protection Agency (USEPA) approved herbicides deployed using applicable BMPs to minimize adverse effects to beneficial uses of waters of the United States and/or State. Discharges related to the application of aquatic pesticides within waters of the United States must be done in compliance with State Water Resources Control Board Water Quality Order No. 2004-

0009-DWQ, the *Statewide General National Pollution Discharge Elimination System Permit for the Discharge of Aquatic Weed Control in Waters of the United States*, and any subsequent reissuance as applicable.

- N. **Limits of Disturbance.** The Applicant shall clearly define the limits of Project disturbance to waters of the United States and/or State using highly visible markers such as flag markers, construction fencing, or silt barriers prior to commencement of Project construction activities within those areas.
- O. **Beneficial Use Protection.** The Applicant must take all necessary measures to protect the beneficial uses of waters of Murrieta Creek or its tributaries. This Certification requires compliance with all applicable requirements of the Basin Plan. If at any time, an unauthorized discharge to surface waters (including rivers or streams) occurs or monitoring indicates that the Project is violating, or threatens to violate, water quality objectives, the associated Project activities shall cease immediately and the San Diego Water Board shall be notified in accordance with Notification Requirement VII.A of this Certification. Associated Project activities may not resume without approval from the San Diego Water Board.
- P. **Groundwater Dewatering.** If groundwater dewatering is required for the Project, the Applicant shall enroll in and comply with the requirements of San Diego Water Board Order No. R9-2008-0002 NPDES No. CAG919002, *General Waste Discharge Requirements For Groundwater Extraction Waste Discharges From Construction, Remediation, and Permanent Groundwater Extraction Projects to Surface Waters within the San Diego Region Except for San Diego Bay* or its successor permit.

IV. POST-CONSTRUCTION BEST MANAGEMENT PRACTICES

- A. **Post-Construction Discharges.** The Applicant shall not allow post-construction discharges from the Project site to cause or contribute to on-site or off-site erosion or damage to properties or stream habitats.
- B. **Storm Drain Inlets.** All storm drain inlet structures within the Project boundaries must be stamped or stenciled (or equivalent) with appropriate language prohibiting non-storm water discharges.

V. PROJECT IMPACTS AND COMPENSATORY MITIGATION

- A. **Project Impact Avoidance and Minimization.** The Project must avoid and minimize adverse impacts to waters of the United States and/or State to the maximum extent practicable.
- B. **Project Impacts Unavoidable** Project impacts to unnamed tributaries to Murrieta Creek within the Santa Margarita Watershed must not exceed the type and magnitude of impacts described in the table below:

	Impacts (acres)	Impacts (linear ft.)	Mitigation for Impacts (acres)	Mitigation Ratio (area mitigated :area impacted)	Mitigation for Impacts (linear ft.)	Mitigation Ratio (linear feet mitigated :linear feet impacted)
Permanent Impacts						
Concrete Stream Channel ¹	0.02	110	NA	NA	NA	NA

1. All impacts to jurisdictional areas will be to existing rip-rap and concrete. There shall be no impacts to the sandy streambed of the on-site drainages and no riparian vegetation shall be impacted by the project. Accordingly, compensatory mitigation for impacts attributable to the Project is not required under this Certification.

C. **Temporary Project Impact Areas.** The Applicant must restore all areas of temporary disturbance which could result in a discharge or a threatened discharge of pollutants to waters of the United States and/or State. Restoration must include grading of disturbed areas to pre-project contours and re-vegetation with native species. The Applicant must implement all necessary BMPs to control erosion and runoff from areas associated with the Project.

VI. MONITORING AND REPORTING REQUIREMENTS

- A. **Representative Monitoring.** Samples and measurements taken for the purpose of monitoring under this Certification shall be representative of the monitored activity.
- B. **Monitoring Reports.** Monitoring results shall be reported to the San Diego Water Board at the intervals specified in section VI of this Certification.
- C. **Monitoring and Reporting Revisions.** The San Diego Water Board may make revisions to the monitoring program at any time during the term of this Certification and may reduce or increase the number of parameters to be monitored, locations monitored, the frequency of monitoring, or the number and size of samples collected.
- D. **Records of Monitoring Information.** Records of monitoring information shall include:
1. The date, exact place, and time of sampling or measurements;
 2. The individual(s) who performed the sampling or measurements;
 3. The date(s) analyses were performed;
 4. The individual(s) who performed the analyses;

5. The analytical techniques or methods used; and
 6. The results of such analyses.
- E. **Discharge Commencement Notification.** The Applicant must notify the San Diego Water Board in writing **at least 5 days prior to** the start of Project construction.
- F. **Geographic Information System Data.** The Applicant must submit Geographic Information System (GIS) shape files of the Project impact sites within 30 days of the start of project construction. All impact site shape files must be polygons. Two GPS readings (points) must be taken on each line of the polygon and the polygon must have a minimum of 10 points. GIS metadata must also be submitted.
- G. **Annual Project Progress Reports.** The Applicant must submit annual Project progress reports describing status of BMP implementation, and compliance with all requirements of this Certification to the San Diego Water Board prior to **March 1** of each year following the issuance of this Certification, until the Project has reached completion. The Annual Project Progress Reports must contain compensatory mitigation monitoring information sufficient to demonstrate how the compensatory mitigation project is progressing towards accomplishing its objectives and meeting its performance standards. Annual Project Progress Reports must be submitted even if Project construction has not begun. The monitoring period for each Annual Project Progress Report shall be January 1st through December 31st of each year. Annual Project Progress Reports must include, at a minimum, the following:
1. **Project Status and Compliance Reporting.** The Annual Project Progress Report must include the following Project status and compliance information:
 - a. The names, qualifications, and affiliations of the persons contributing to the report;
 - b. The status, progress, and anticipated schedule for completion of Project construction activities including the installation and operational status of best management practices project features for erosion and storm water quality treatment;
 - c. A description of Project construction delays encountered or anticipated that may affect the schedule for construction completion; and
 - d. A description of each incident of noncompliance during the annual monitoring period and its cause, the period of the noncompliance including exact dates and times, and if the noncompliance has not been corrected, the anticipated time it is expected to continue; and the steps taken or planned to reduce, eliminate, and prevent reoccurrence of the noncompliance.
- H. **Final Project Completion Report.** The Applicant must submit a Final Project Completion Report to the San Diego Water Board **within 30 days of completion of the Project.** The final report must include the following information:

1. Date of construction initiation;
 2. Date of construction completion;
 3. BMP installation and operational status for the Project;
 4. As-built drawings of the Project, no bigger than 11"X17"; and
 5. Photo documentation of implemented post-construction BMPs and all areas of permanent and temporary impacts, prior to and after project construction. Photo documentation must be conducted in accordance with guidelines posted at http://www.waterboards.ca.gov/sandiego/water_issues/programs/401_certification/docs/StreamPhotoDocSOP.pdf. In addition, photo documentation must include Global Positioning System (GPS) coordinates for each of the photo points referenced.
- I. **Reporting Authority.** The submittal of information required under this Certification, or in response to a suspected violation of any condition of this Certification, is required pursuant to Water Code section 13267 and 13383. Civil liability may be administratively imposed by the San Diego Water Board for failure to submit information pursuant to Water Code sections 13268 or 13385.
- J. **Electronic Document Submittal.** The Applicant must submit all reports and information required under this Certification in electronic format via e-mail to SanDiego@waterboards.ca.gov. Documents over 50 megabytes will not be accepted via e-mail and must be placed on a disc and delivered to:
- California Regional Water Quality Control Board
San Diego Region
Attn: 401 Certification No. R9-2015-0159:818543:dbradford
2375 Northside Drive, Suite 100
San Diego, California 92108
- Each electronic document must be submitted as a single file, in Portable Document Format (PDF), and converted to text searchable format using Optical Character Recognition (OCR). All electronic documents must include scanned copies of all signature pages; electronic signatures will not be accepted. Electronic documents submitted to the San Diego Water Board must include the following identification numbers in the header or subject line: Certification No. R9-2015-0159:818543:dbradford.
- K. **Document Signatory Requirements.** All applications, reports, or information submitted to the San Diego Water Board must be signed as follows:
1. For a corporation, by a responsible corporate officer of at least the level of vice president.

2. For a partnership or sole proprietorship, by a general partner or proprietor, respectively.
3. For a municipality, or a state, federal, or other public agency, by either a principal executive officer or ranking elected official.
4. A duly authorized representative may sign applications, reports, or information if:
 - a. The authorization is made in writing by a person described above.
 - b. The authorization specifies either an individual or position having responsibility for the overall operation of the regulated activity.
 - c. The written authorization is submitted to the San Diego Water Board Executive Officer.

If such authorization is no longer accurate because a different individual or position has responsibility for the overall operation of the Project, a new authorization satisfying the above requirements must be submitted to the San Diego Water Board prior to or together with any reports, information, or applications, to be signed by an authorized representative.

- L. **Document Certification Requirements.** All applications, reports, or information submitted to the San Diego Water Board must be certified as follows:

"I certify under penalty of law that I have personally examined and am familiar with the information submitted in this document and all attachments and that, based on my inquiry of those individuals immediately responsible for obtaining the information, I believe that the information is true, accurate, and complete. I am aware that there are significant penalties for submitting false information, including the possibility of fine and imprisonment."

VII. NOTIFICATION REQUIREMENTS

- A. **Twenty Four Hour Non-Compliance Reporting.** The Applicant shall report any noncompliance which may endanger health or the environment. Any such information shall be provided orally to the San Diego Water Board within **24 hours** from the time the Applicant becomes aware of the circumstances. A written submission shall also be provided within five days of the time the Applicant becomes aware of the circumstances. The written submission shall contain a description of the noncompliance and its cause; the period of noncompliance, including exact dates and times, and if the noncompliance has not been corrected; the anticipated time it is expected to continue; and steps taken or planned to reduce, eliminate, and prevent recurrence of the noncompliance. The San Diego Water Board, or an authorized representative, may waive the written report on a case-by-case basis if the oral report has been received within 24 hours.

- B. Hazardous Substance Discharge.** Except for a discharge which is in compliance with this Certification, any person who, without regard to intent or negligence, causes or permits any hazardous substance or sewage to be discharged in or on any waters of the State, shall as soon as (a) that person has knowledge of the discharge, (b) notification is possible, and (c) notification can be provided without substantially impeding cleanup or other emergency measures, immediately notify the County of Riverside, in accordance with California Health and Safety Code section 5411.5 and the California Office of Emergency Services of the discharge in accordance with the spill reporting provision of the State toxic disaster contingency plan adopted pursuant to Government Code Title 2, Division 1, Chapter 7, Article 3.7 (commencing with section 8574.17), and immediately notify the State Water Board or the San Diego Water Board of the discharge. This provision does not require reporting of any discharge of less than a reportable quantity as provided for under subdivisions (f) and (g) of section 13271 of the Water Code unless the Applicant is in violation of a Basin Plan prohibition.
- C. Oil or Petroleum Product Discharge.** Except for a discharge which is in compliance with this Certification, any person who without regard to intent or negligence, causes or permits any oil or petroleum product to be discharged in or on any waters of the State, or discharged or deposited where it is, or probably will be, discharged in or on any waters of the State, shall, as soon as (a) such person has knowledge of the discharge, (b) notification is possible, and (c) notification can be provided without substantially impeding cleanup or other emergency measures, immediately notify the California Office of Emergency Services of the discharge in accordance with the spill reporting provision of the State oil spill contingency plan adopted pursuant to Government Code Title 2, Division 1, Chapter 7, Article 3.7 (commencing with section 8574.1). This requirement does not require reporting of any discharge of less than 42 gallons unless the discharge is also required to be reported pursuant to Clean Water Act section 311, or the discharge is in violation of a Basin Plan prohibition.
- D. Anticipated Noncompliance.** The Applicant shall give advance notice to the San Diego Water Board of any planned changes in the Project or the Compensatory Mitigation project which may result in noncompliance with Certification conditions or requirements.
- E. Transfers.** This Certification is not transferable in its entirety or in part to any person or organization except after notice to the San Diego Water Board in accordance with the following terms:
- 1. Transfer of Property Ownership:** The Applicant must notify the San Diego Water Board of any change in ownership of the Project area. Notification of change in ownership must include, but not be limited to, a statement that the Applicant has provided the purchaser with a copy of the Section 401 Water Quality Certification and that the purchaser understands and accepts the certification requirements and the obligation to implement them or be subject to liability for failure to do so; the seller and purchaser must sign and date the notification and provide such notification to the San Diego Water Board **within 10 days of the transfer of ownership.**

Wildomar Master Drainage Plan Lateral C-1 Storm Drain Project
Certification No. R9-2015-0159

2. **Transfer of Mitigation Responsibility:** Any notification of transfer of responsibilities to satisfy the mitigation requirements set forth in this Certification must include a signed statement from an authorized representative of the new party (transferee) demonstrating acceptance and understanding of the responsibility to comply with and fully satisfy the mitigation conditions and agreement that failure to comply with the mitigation conditions and associated requirements may subject the transferee to enforcement by the San Diego Water Board under Water Code section 13385, subdivision (a). Notification of transfer of responsibilities meeting the above conditions must be provided to the San Diego Water Board **within 10 days of the transfer date.**
3. **Transfer of Post-Construction BMP Maintenance Responsibility:** The Applicant assumes responsibility for the inspection and maintenance of all post-construction structural BMPs until such responsibility is legally transferred to another entity. At the time maintenance responsibility for post-construction BMPs is legally transferred the Applicant must submit to the San Diego Water Board a copy of such documentation and must provide the transferee with a copy of a long-term BMP maintenance plan that complies with manufacturer specifications. The Applicant must provide such notification to the San Diego Water Board within **10 days** of the transfer of BMP maintenance responsibility.

Upon properly noticed transfers of responsibility, the transferee assumes responsibility for compliance with this Certification and references in this Certification to the Applicant will be interpreted to refer to the transferee as appropriate. Transfer of responsibility does not necessarily relieve the Applicant of responsibility for compliance with this Certification in the event that a transferee fails to comply.

VIII. CALIFORNIA ENVIRONMENTAL QUALITY ACT COMPLIANCE

- A. The City of Wildomar is the Lead Agency under the California Environmental Quality Act (CEQA) (Public Resources Code section 21000, et seq.) section 21067, and CEQA Guidelines (California Code of Regulations, title 14, section 15000 et seq.) section 15367, and has filed a Notice of Determination dated September 24, 2015 for the Initial Study/Mitigated Negative Declaration (IS/MND) titled *Initial Study for Later C-1 of the Wildomar Master Drainage Plan* (State Clearing House Number 2014011014). The Lead Agency has determined the Project will have a significant effect on the environment and mitigation measures were made a condition of the Project.
- B. The San Diego Water Board is a Responsible Agency under CEQA (Public Resources Code section 21069; CEQA Guidelines section 15381). The San Diego Water Board has considered the Lead Agency's IS/MND and finds that the Project as proposed will have a significant effect on resources within the San Diego Water Board's purview.
- C. The San Diego Water Board has required mitigation measures as a condition of this Certification to avoid or reduce the environmental effects of the Project to resources within the Board's purview to a less than significant level.
- D. As a Responsible Agency under CEQA, the San Diego Water Board will file a Notice of Determination in accordance with CEQA Guidelines section 15096 subdivision (i).

IX. SAN DIEGO WATER BOARD CONTACT PERSON

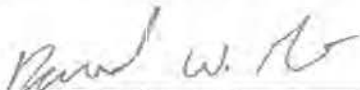
Darren Bradford, Environmental Scientist
Telephone: (619) 521-3356
Email: darren.bradford@waterboards.ca.gov

X. WATER QUALITY CERTIFICATION

I hereby certify that the proposed discharge from the **Wildomar Master Drainage Plan Lateral C-1 Storm Drain** (Certification No. R9-2015-0159) will comply with the applicable provisions of sections 301 ("Effluent Limitations"), 302 ("Water Quality Related Effluent Limitations"), 303 ("Water Quality Standards and Implementation Plans"), 306 ("National Standards of Performance"), and 307 ("Toxic and Pretreatment Effluent Standards") of the Clean Water Act. This discharge is also regulated under State Water Board Order No. 2003-0017-DWQ, "*Statewide General Waste Discharge Requirements for Dredged or Fill Discharges that have Received State Water Quality Certification (General WDRs)*," which requires compliance with all conditions of this Water Quality Certification. Please note that enrollment under Order No. 2003-017-DWQ is conditional and, should new information come to our attention that indicates a water quality problem, the San Diego Water Board may issue individual waste discharge requirements at that time.

Except insofar as may be modified by any preceding conditions, all Certification actions are contingent on (a) the discharge being limited to, and all proposed mitigation being completed in strict compliance with, the applicants' Project description and/or the description in this Certification, and (b) compliance with all applicable requirements of the Basin Plan.

I, David W. Gibson, Executive Officer, do hereby certify the forgoing is a full, true, and correct copy of Certification No. R9-2015-0159 issued on January 7, 2016.



DAVID W. GIBSON
Executive Officer
San Diego Water Board

7 January 2016
Date

ATTACHMENT 1

DEFINITIONS

Activity - when used in reference to a permit means any action, undertaking, or project including, but not limited to, construction, operation, maintenance, repair, modification, and restoration which may result in any discharge to waters of the state.

Buffer - means an upland, wetland, and/or riparian area that protects and/or enhances aquatic resource functions associated with wetlands, rivers, streams, lakes, marine, and estuarine systems from disturbances associated with adjacent land uses.

California Rapid Assessment Method (CRAM) - is a wetland assessment method intended to provide a rapid, scientifically-defensible and repeatable assessment methodology to monitor status and trends in the conditions of wetlands for applications throughout the state. It can also be used to assess the performance of compensatory mitigation projects and restoration projects. CRAM provides an assessment of overall ecological condition in terms of four attributes: landscape context and buffer, hydrology, physical structure and biotic structure. CRAM also includes an assessment of key stressors that may be affecting wetland condition and a "field to PC" data management tool (eCRAM) to ensure consistency and quality of data produced with the method.

Compensatory Mitigation Project - means compensatory mitigation implemented by the Applicant as a requirement of this Certification (i.e., applicant -responsible mitigation), or by a mitigation bank or an in-lieu fee program.

Discharge of dredged material – means any addition of dredged material into, including redeposit of dredged material other than incidental fallback within, the waters of the United States and/or State.

Discharge of fill material – means the addition of fill material into waters of the United States and/or State.

Dredged material – means material that is excavated or dredged from waters of the United States and/or State.

Ecological Success Performance Standards – means observable or measurable physical (including hydrological), chemical, and/or biological attributes that are used to determine if a compensatory mitigation project meets its objectives.

Enhancement – means the manipulation of the physical, chemical, or biological characteristics of an aquatic resource to improve a specific aquatic resource function(s). Enhancement results in the gain of selected aquatic resource function(s), but may also lead to a decline in other aquatic resource function(s). Enhancement does not result in a gain in aquatic resource area.

Establishment – means the manipulation of the physical, chemical, or biological characteristics present to develop an aquatic resource that did not previously exist. Creation results in a gain in aquatic resource area.

Fill material – means any material used for the primary purpose of replacing an aquatic area with dry land or of changing the bottom elevation of a water body.

Isolated wetland – means a wetland with no surface water connection to other aquatic resources.

Mitigation Bank – means a site, or suite of sites, where resources (e.g., wetlands, streams, riparian areas) are restored, established, enhanced, and/or preserved for the purpose of providing mitigation for impacts authorized by this Certification.

Preservation - means the removal of a threat to, or preventing the decline of, aquatic resources by an action in or near those aquatic resources. This term includes activities commonly associated with the protection and maintenance of aquatic resources through the implementation of appropriate legal and physical mechanisms. Preservation does not result in a gain of aquatic resource area or functions.

Re-establishment - means the manipulation of the physical, chemical, or biological characteristics of a site with the goal of returning natural/ historic functions to a former aquatic resource. Re-establishment results in rebuilding a former aquatic resource and results in a gain in aquatic resource area and functions.

Rehabilitation - means the manipulation of the physical, chemical, or biological characteristics of a site with the goal of repairing natural/ historic functions to a degraded aquatic resource. Rehabilitation results in a gain in aquatic resource function, but does not result in a gain in aquatic resource area.

Restoration - means the manipulation of the physical, chemical, or biological characteristics of a site with the goal of returning natural/historic functions to a former or degraded aquatic resource. For the purpose of tracking net gains in aquatic resource area, restoration is divided into two categories: re-establishment and rehabilitation.

Start of Project Construction - For the purpose of this Certification, "start of Project construction" means to engage in a program of on-site construction, including site clearing, grading, dredging, landfilling, changing equipment, substituting equipment, or even moving the location of equipment specifically designed for a stationary source in preparation for the fabrication, erection or installation of the building components of the stationary source within waters of the United States and/or State.

Uplands - means non-wetland areas that lack any field-based indicators of wetlands or other aquatic conditions. Uplands are generally well-drained and occur above (i.e., up-slope) from nearby aquatic areas. Wetlands can, however, be entirely surrounded by uplands. For example, some natural seeps and constructed stock ponds lack aboveground hydrological connection to other aquatic areas. In the watershed context, uplands comprise the landscape matrix in which aquatic areas form. They are the primary sources of sediment, surface runoff, and associated chemicals that are deposited in aquatic areas or transported through them.

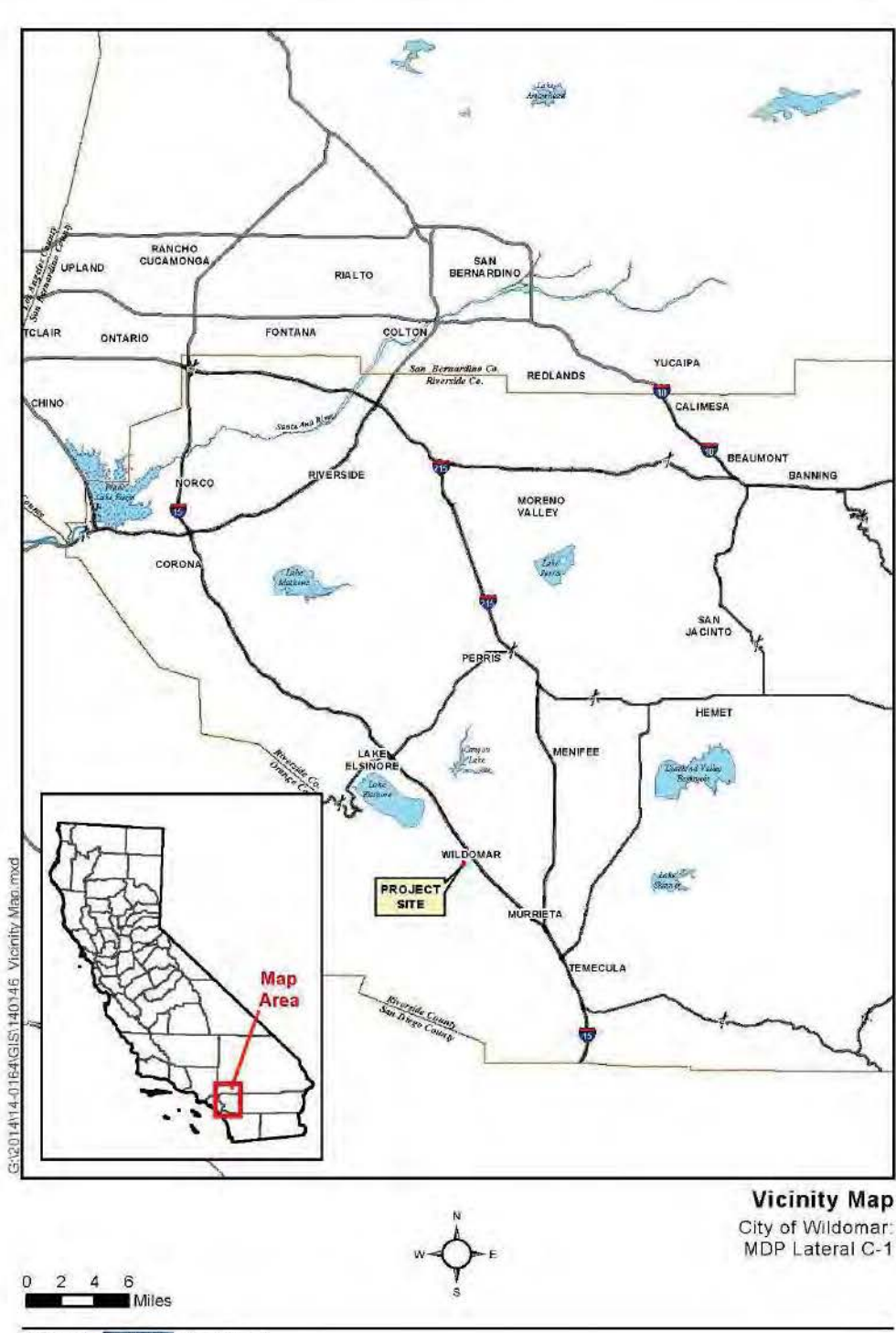
Water quality objectives and other appropriate requirements of state law – means the water quality objectives and beneficial uses as specified in the appropriate water quality control plan(s); the applicable provisions of sections 301, 302, 303, 306, and 307 of the Clean Water Act; and any other appropriate requirement of state law.

City of Wildomar
Wildomar Master Drainage Plan Lateral C-1 Storm Drain Project
Certification No. R9-2015-0159

ATTACHMENT 2
PROJECT LOCATION MAPS

Albert A. Webb Associates – Vicinity Map
Figure 1 – Geocon West, Inc., Vicinity Map

Vicinity Map



GS:\2014\14-0164\GIS\140146_Vicinity_Map.mxd

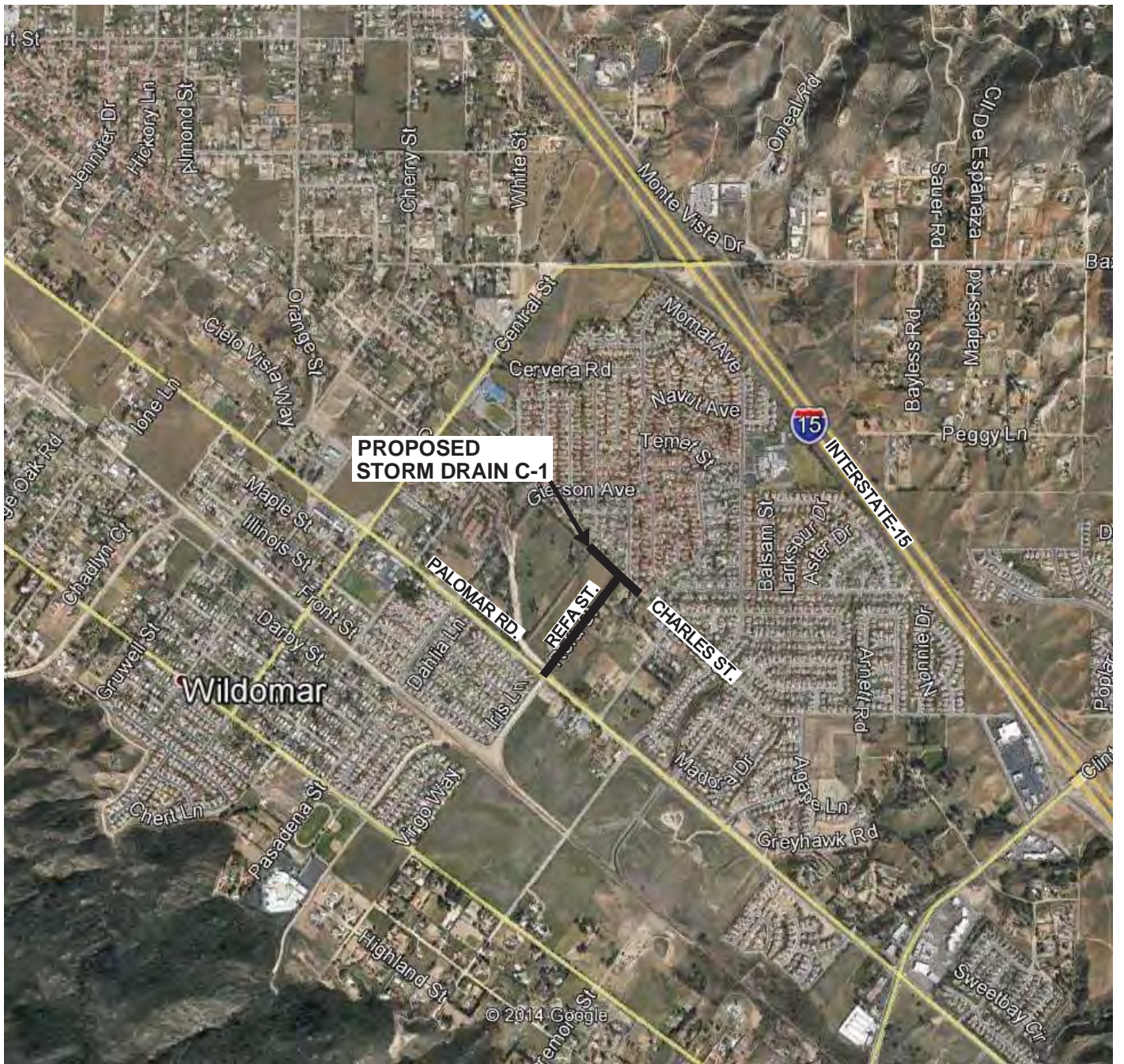


IMAGE SOURCE: GOOGLE EARTH 2014



NO SCALE

GEOCON
WEST, INC.



ENVIRONMENTAL GEOTECHNICAL MATERIALS
41571 CORNING PLACE - SUITE 101 - MURRIETA, CA 92562
PHONE (951) 304-2300 - FAX (951) 304-2392

NJT

VICINITY MAP

WILDOMAR MASTER DRAINAGE PLAN
LATERAL C-1 STORM DRAIN
(AKA BILLIE ANN ROAD STORM DRAIN)
WILDOMAR, CALIFORNIA

SEPTEMBER, 2014

PROJECT NO. T2599 - 22 - 01

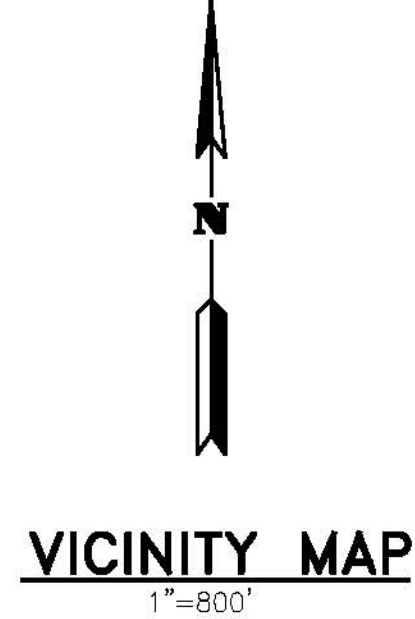
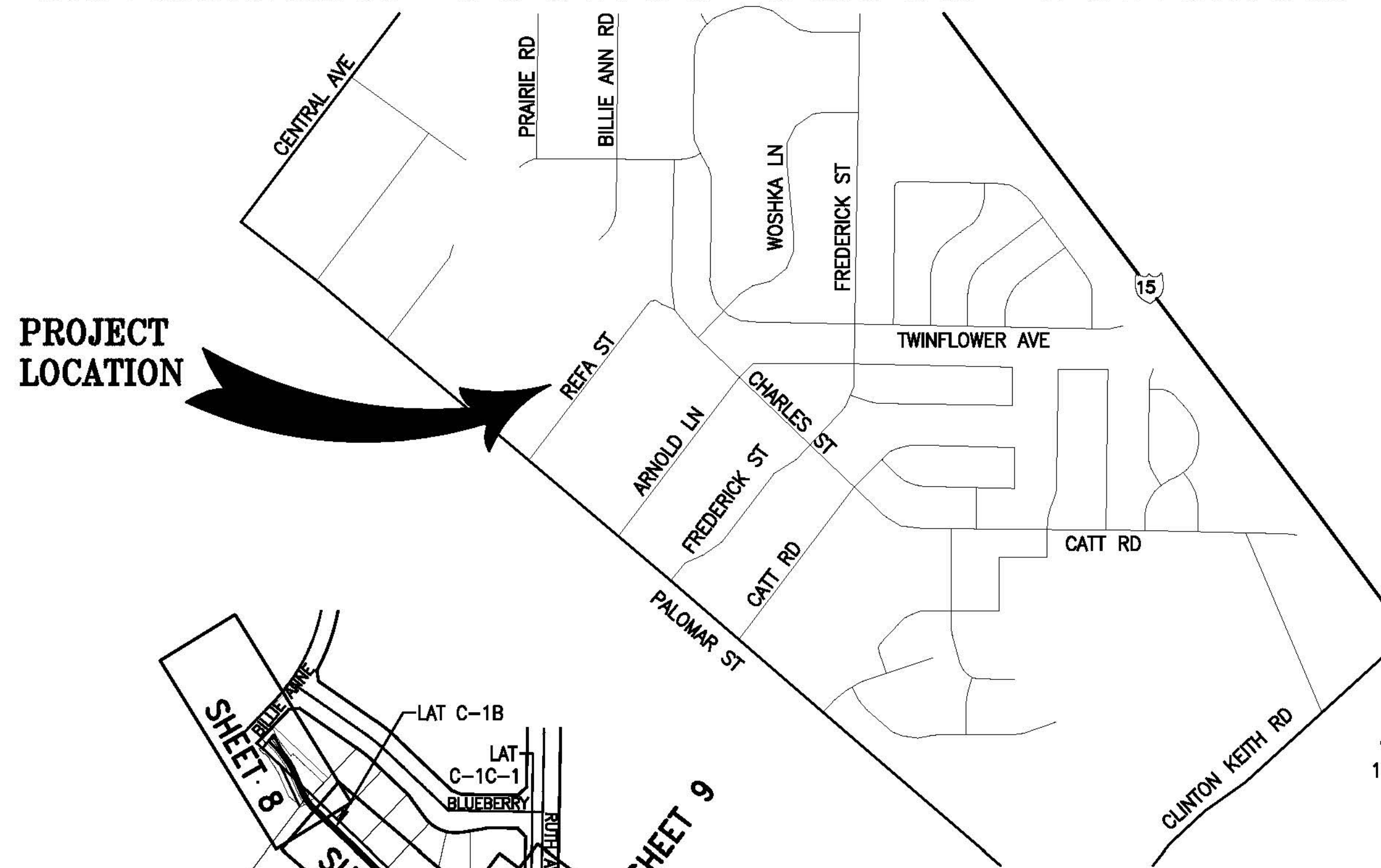
FIG. 1

City of Wildomar
Wildomar Master Drainage Plan Lateral C-1 Storm Drain Project
Certification No. R9-2015-0159

**ATTACHMENT 3
PROJECT SITE PLANS**

Sheets 1-15 - Albert A. Webb Associates, Project Plans

RIVERSIDE COUNTY FLOOD CONTROL AND WATER CONSERVATION DISTRICT



R.C.F.C. & W.C.D. STANDARD DRAWINGS

MH 251	MANHOLE NO. 1
MH 252	MANHOLE NO. 2
MH 253	MANHOLE NO. 3
MH 257	MANHOLE SHAFT FOR CAST PIPE
MH 259	STANDARD DROP STEP
MH 260	24" MANHOLE FRAME AND COVER
M 803	CONCRETE COLLAR
M 807	SANITARY SEWER PROTECTION
M 814	ABBREVIATIONS AND SYMBOLS
M 816	CONCRETE BULKHEAD
TS 301	TRANSITION STRUCTURE NO. 1
TS 303	TRANSITION STRUCTURE NO. 3
JS 227	JUNCTION STRUCTURE NO. 2
JS 228	JUNCTION STRUCTURE NO. 3
JS 229	JUNCTION STRUCTURE NO. 4 (CASE 1)
CB 109	CATCH BASIN
CB 100	CATCH BASIN NO. 1
CB 110	DROP INLET
LD 201	GUTTER DEPRESSION

RIVERSIDE COUNTY STANDARD DRAWINGS

STD 300	CURB INLET CATCH BASIN
STD 311	GUTTER DEPRESSION FOR CURB OPENING CATCH BASIN

SPPWC STANDARD DRAWINGS

STD 225-2	BLANKET PROTECTION FOR PIPES
STD 300-3	CURB OPENING CATCH BASIN
STD 307-3	CURB OPENING CATCH BASIN WITH MANHOLE IN STREET
STD 314-3	MODIFICATIONS FOR SIDE OPENING CATCH-BASIN
STD 380-4	CONCRETE COLLAR FOR RCP

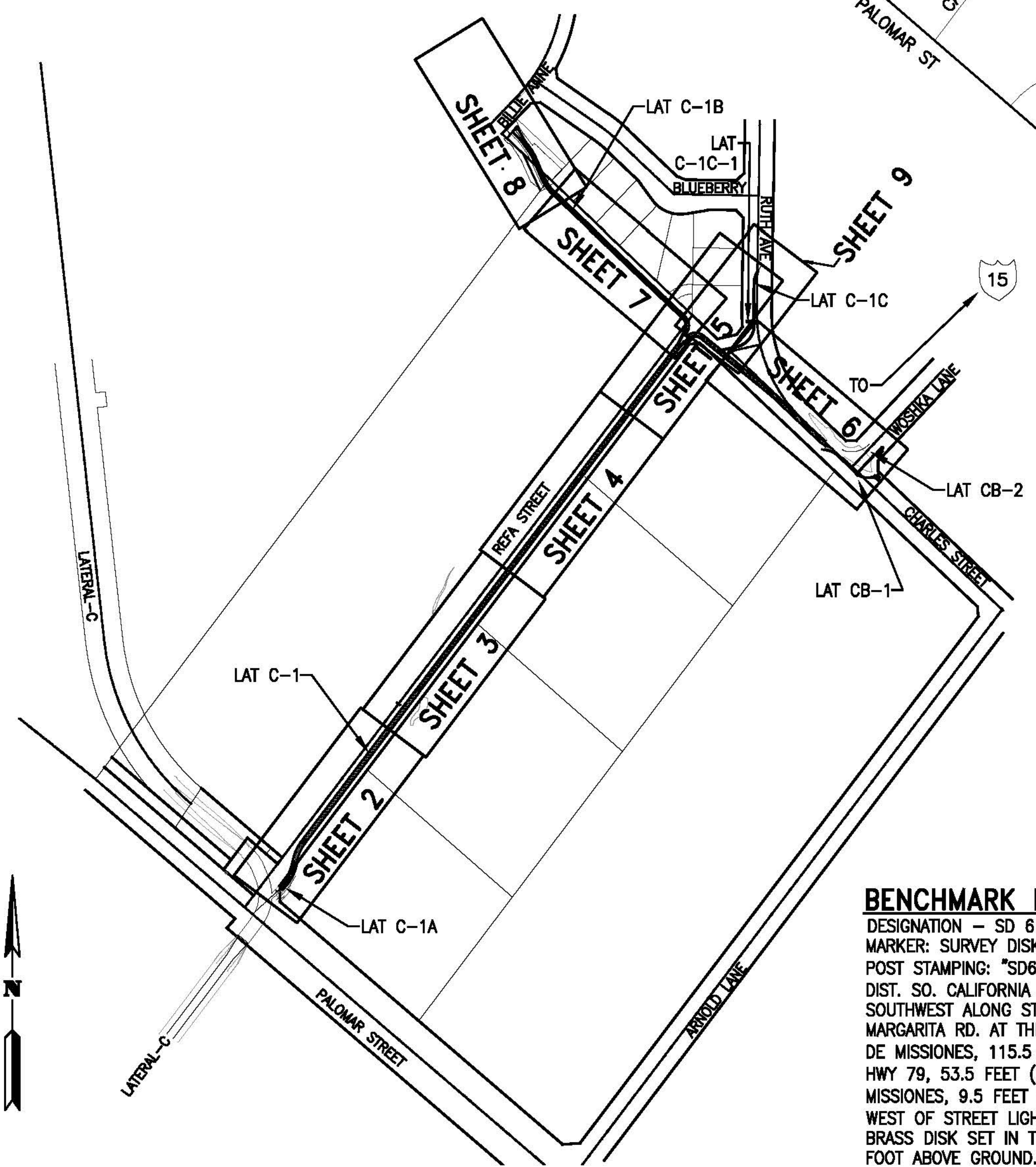
CALTRANS STANDARD DRAWINGS

D91B	CAST IN PLACE REINFORCED CONCRETE JUNCTION STRUCTURE
D94A	FLARED END SECTION

INDEX

TITLE SHEET
PLAN & PROFILE
CONNECTOR PIPE PROFILES
DETAILS
PAVING PLAN
WATERLINE RELOCATION PLAN

SHEET NO.
1
2-8
9-10
11-13
14
15



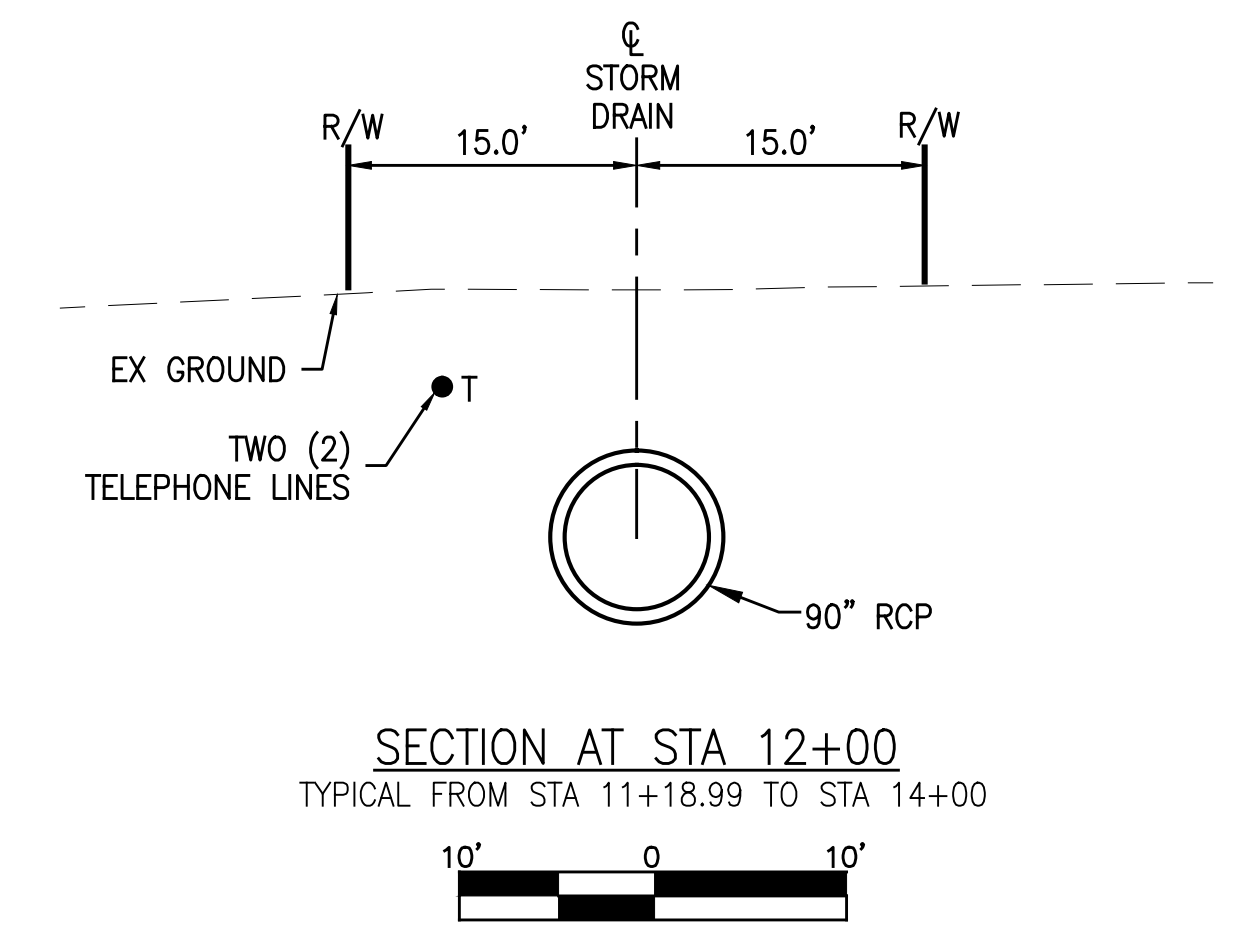
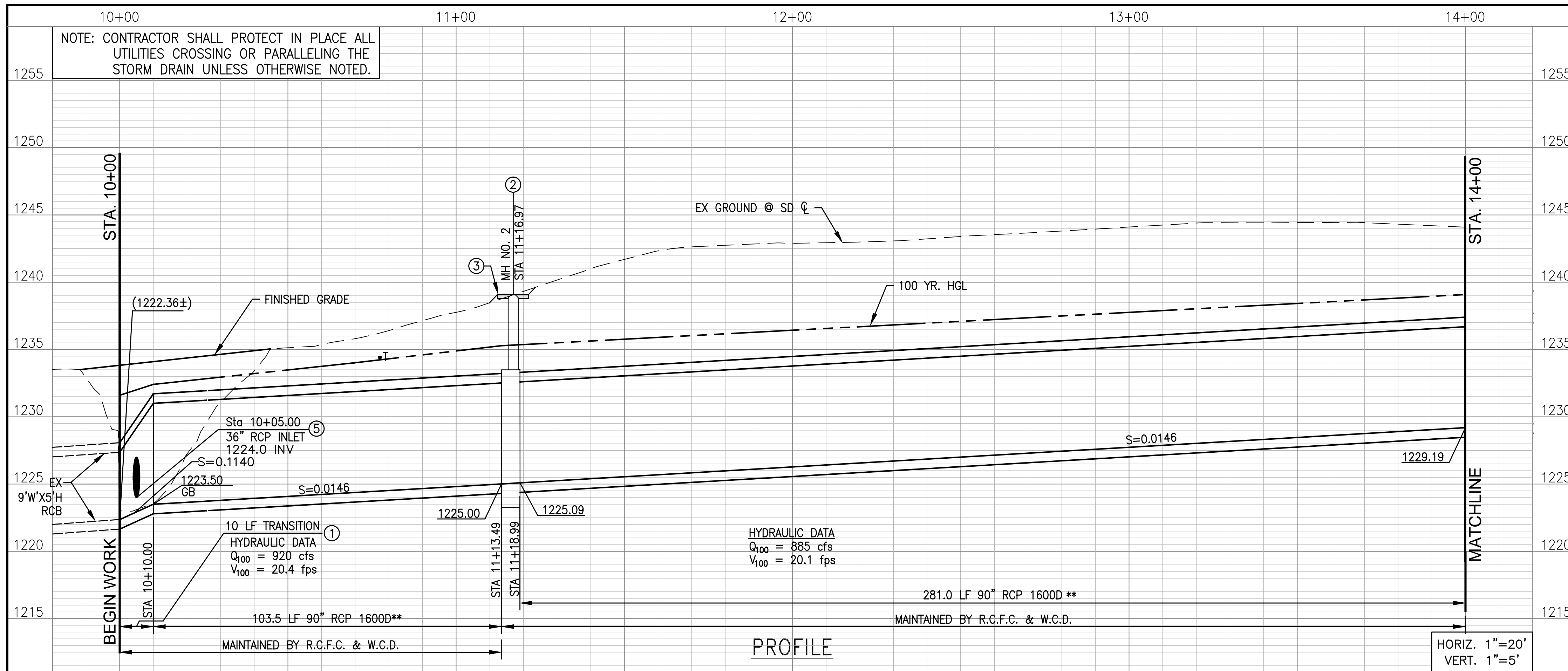
BENCHMARK DATA
 DESIGNATION - SD 6 18 PID - DX5510
 MARKER: SURVEY DISK SET IN TOP OF CONCRETE MONUMENT CONCRETE POST STAMPING: "SD6-18 1992" "MWDSC" DESCRIBED BY METRO WATER DIST. SO. CALIFORNIA 1992 RANCHO CALIFORNIA, 0.6 MILE (1.0 KM) SOUTHWEST ALONG STATE HWY 79 FROM THE INTERSECTION WITH MARGARITA RD. AT THE SOUTHWEST CORNER OF HWY 79 AND AVENIDA DE MISSIONES, 115.5 FEET (35.2 M) SOUTH OF THE CENTERLINE OF HWY 79, 53.5 FEET (16.3 M) WEST OF THE CENTERLINE OF AVENIDA DE MISSIONES, 9.5 FEET (2.9 M) WEST OF CURB FACE, 2 FEET (0.6 M) WEST OF STREET LIGHT STANDARD. A STANDARD MWDSC 3-1/4 INCH BRASS DISK SET IN TOP OF AN 8 INCH DIAMETER CONCRETE POST 0.1 FOOT ABOVE GROUND.
 NAVD 88 1045.09 (FEET) ADJUSTED

GENERAL NOTES

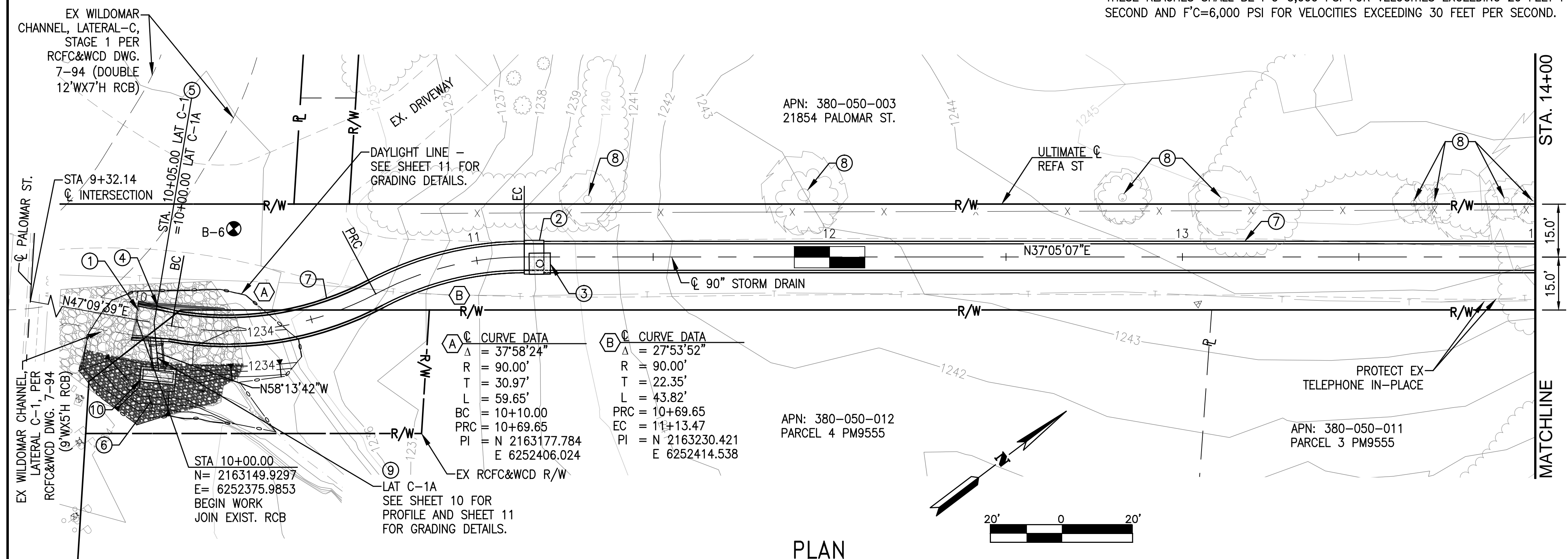
- THE CONTRACTOR SHALL CONSTRUCT THE FLOOD CONTROL IMPROVEMENTS SHOWN ON THE DRAWINGS IN CONFORMANCE WITH THE REQUIREMENTS OF THE RIVERSIDE COUNTY FLOOD CONTROL AND WATER CONSERVATION DISTRICT'S M.O.U. STANDARD SPECIFICATIONS DATED JUNE 24, 2008, AND RCFC&WCD STANDARD MANUAL. FOR THE LATEST DRAWINGS OF THE STANDARD MANUAL, PLEASE REFER TO THE "PUBLICATIONS AND RECORDS" PAGE FOUND ON THE DISTRICT'S WEBSITE.
- CONTACT THE ENCROACHMENT PERMIT ENGINEER AT 951.955.1288 IF AN ENCROACHMENT PERMIT IS REQUIRED FROM RIVERSIDE COUNTY FLOOD CONTROL. AFTER THE PERMIT IS ISSUED THE DISTRICT MUST BE NOTIFIED ONE WEEK PRIOR TO CONSTRUCTION.
- CONTACT CONTRACT ADMINISTRATION AT 951.955.1288 IF CONSTRUCTION INSPECTION WILL BE PERFORMED BY RIVERSIDE COUNTY FLOOD CONTROL. THE DISTRICT MUST BE NOTIFIED TWENTY DAYS (20) PRIOR TO CONSTRUCTION.
- ALL STATIONING REFERS TO CENTERLINE OF CONSTRUCTION UNLESS OTHERWISE NOTED.
- STATIONING FOR LATERALS AND CONNECTOR PIPE REFER TO THE CENTERLINE INTERSECTION STATIONS.
- FORTY-EIGHT HOURS BEFORE EXCAVATION, CALL UNDERGROUND SERVICE ALERT 1.800.227.2600.
- ALL ELEVATIONS SHOWN ARE IN FEET AND DECIMALS THEREOF BASED ON THE NORTH AMERICAN VERTICAL DATUM (NAVD 88).
- ALL COORDINATES ARE SHOWN IN FEET AND DECIMALS THEREOF BASED ON THE NORTH AMERICAN DATUM (NAD 83), CALIFORNIA COORDINATE SYSTEM (CCS), ZONE 6 AND EPOCH.
- ALL CROSS SECTIONS ARE TAKEN LOOKING DOWNSTREAM.
- ELEVATIONS OF UTILITIES ARE APPROXIMATE UNLESS OTHERWISE NOTED.
- UNLESS OTHERWISE SPECIFIED, MINIMUM STREET RECONSTRUCTION SHALL BE 4" TYPE "B" HOT MIX ASPHALT OVER 6" CLASS 2 AGGREGATE BASE OR AS SPECIFIED BY THE ENGINEER
- OPENINGS RESULTING FROM THE CUTTING OR PARTIAL REMOVAL OF EX CULVERTS, PIPES OR SIMILAR STRUCTURES TO BE ABANDONED SHALL BE SEALED WITH 6" OF CLASS "B" CONCRETE.
- PIPE CONNECTED TO THE MAINLINE PIPE SHALL CONFORM TO JUNCTION STRUCTURE NO. 4 (JS 229) UNLESS OTHERWISE NOTED.
- PIPE BEDDING SHALL CONFORM TO RCFC&WCD STD. DWG. NO. M815 EXCEPT FOR COVER <2 FEET. FOR COVER <2 FEET, CONCRETE SLURRY (2000 PSI - 2 SACK) SHALL BE USED. THE ENTIRE TRENCH SHALL BE SLURRY EXTENDING 4 INCHES MINIMUM AND 12 INCHES MAXIMUM ABOVE THE TOP OF THE PIPE.
- B-X INDICATES SOIL BORING LOCATIONS BASED ON THE SOILS REPORT DATED 09/04/2014, BY GEOCON, INC. LOCATIONS SHOWN ARE APPROXIMATE.
- V IS THE DEPTH OF CATCH BASINS MEASURED FROM THE TOP OF CURB TO INVERT OF CONNECTOR PIPE.
- CATCH BASINS SHALL BE LOCATED SO THAT LOCAL DEPRESSION SHALL BEGIN AT EX CURB RETURN JOINT, UNLESS OTHERWISE SPECIFIED.
- ALL CURBS, GUTTERS, SIDEWALKS, DRIVEWAYS AND OTHER EX IMPROVEMENTS TO BE RECONSTRUCTED IN KIND AND AT THE SAME ELEVATION AND LOCATION AS THE EX IMPROVEMENTS UNLESS OTHERWISE NOTED.
- STANDARD DRAWINGS CALLED FOR ON THE PLAN AND PROFILE SHALL CONFORM TO DISTRICT STANDARD DRAWINGS UNLESS OTHERWISE NOTED.
- THE CONTRACTOR IS REQUIRED TO CALL ALL UTILITY AGENCIES REGARDING TEMPORARY SHORING AND SUPPORT REQUIREMENTS FOR THE VARIOUS UTILITY LINES SHOWN ON THESE PLANS.
- DURING ROUGH GRADING OPERATIONS AND PRIOR TO CONSTRUCTION OF PERMANENT DRAINAGE STRUCTURES, TEMPORARY DRAINAGE CONTROL SHOULD BE PROVIDED TO PREVENT PONDING WATER AND DAMAGE TO ADJACENT PROPERTIES.
- APPROVAL OF THESE PLANS BY THE RIVERSIDE COUNTY FLOOD CONTROL AND WATER CONSERVATION DISTRICT DOES NOT RELIEVE THE DESIGN ENGINEER OF RESPONSIBILITY FOR THE ENGINEERING DESIGN. IF FIELD CHANGES ARE REQUIRED, IT WILL BE THE RESPONSIBILITY OF THE DESIGN ENGINEER TO MAKE THE NECESSARY CORRECTIONS.
- THE CONTRACTOR OR DEVELOPER SHALL SECURE ALL REQUIRED ENCROACHMENT AND/OR STATE AND FEDERAL REGULATORY PERMITS PRIOR TO THE COMMENCEMENT OF ANY WORK.
- THE CONCRETE COATING ON THE INSIDE OF ALL REINFORCED CONCRETE PIPES MUST BE INCREASED TO PROVIDE A MINIMUM OF 1-1/2 INCHES OVER THE REINFORCING AND INCREASED TO A MINIMUM OF 3-1/2 INCHES OVER REINFORCING FOR BOX CULVERT, WHEN DESIGN VELOCITIES EXCEED 20 FEET PER SECOND. THE CONCRETE DESIGN STRENGTH IN THESE REACHES SHALL BE F'C=5,000 PSI FOR VELOCITIES EXCEEDING 20 FEET PER SECOND AND F'C=6,000 PSI FOR VELOCITIES EXCEEDING 30 FEET PER SECOND.
- CONSTRUCTION JOINTS FOR CALTRANS STANDARD REINFORCED CONCRETE BOX SHALL BE PLACED ACCORDING TO RCFC&WCD STANDARD DRAWING NO. BOX 401.
- CONTRACTOR SHALL PATCH EX CROSSING UTILITIES PRIOR TO CONSTRUCTION AND NOTIFY ENGINEER IMMEDIATELY IF CONFLICT WITH PROPOSED IMPROVEMENTS.
- CONTRACTOR IS ADVISED OF A SOUTHERN CALIFORNIA EDISON EASEMENT OVER REFA STREET RIGHT OF WAY. CONTRACTOR SHALL PROTECT IN PLACE ALL POLES, PAD, CONDUITS AND OTHER APPURTANANCES WITHIN THE EASEMENT AREA.

CITY OF WILDOMAR PUBLIC WORKS DEPARTMENT APPROVED BY: _____ CITY ENGINEER _____ DATE: _____	Don't Dig...Until You Call: U.S.A. Toll Free: 1-800-227-2600 for the location of buried utility lines. Don't disrupt vital services. TWO WORKING DAYS BEFORE YOU DIG	ALBERT A. WEBB ASSOCIATES ENGINEERING CONSULTANTS 3788 McCRAV STREET, RIVERSIDE CA. 92506 PH. (951) 686-1070 / FAX (951) 788-1256		<table border="1" style="width:100%; border-collapse: collapse;"> <tr><th>REVISIONS</th><th>DATE</th><th>DESCRIPTION</th><th>APPR.</th><th>DATE</th></tr> <tr><td> </td><td> </td><td> </td><td> </td><td> </td></tr> <tr><td> </td><td> </td><td> </td><td> </td><td> </td></tr> <tr><td> </td><td> </td><td> </td><td> </td><td> </td></tr> </table>	REVISIONS	DATE	DESCRIPTION	APPR.	DATE																RIVERSIDE COUNTY FLOOD CONTROL AND WATER CONSERVATION DISTRICT RECOMMENDED FOR APPROVAL BY: _____ PLANNING ENGINEER DATE: _____ APPROVED BY: _____ CHIEF ENGINEER DATE: _____	WILDOMAR MDP LATERAL C-1 STORM DRAIN COVER SHEET	PROJECT NO. 7-0-00076 DRAWING NO. 7-0533 SHEET NO. 1 OF 15
REVISIONS	DATE	DESCRIPTION	APPR.	DATE																							

SUBMITTAL 5 - 100% - FOR REVIEW ONLY G:\2014\14-0164\DRAWINGS\DESIGN\14-0164-C-SD.DWG 7/17/2015 4:45:59 PM



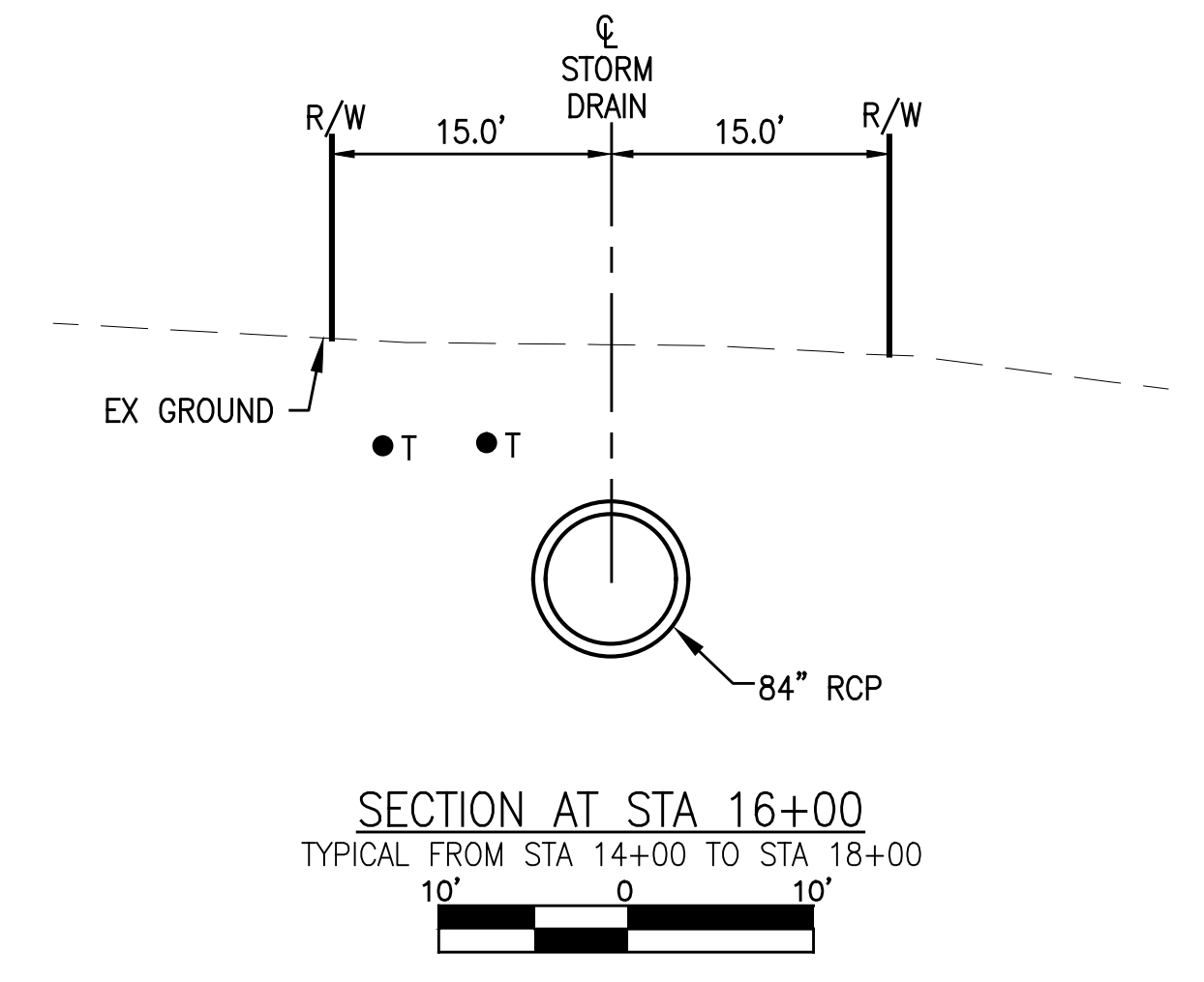
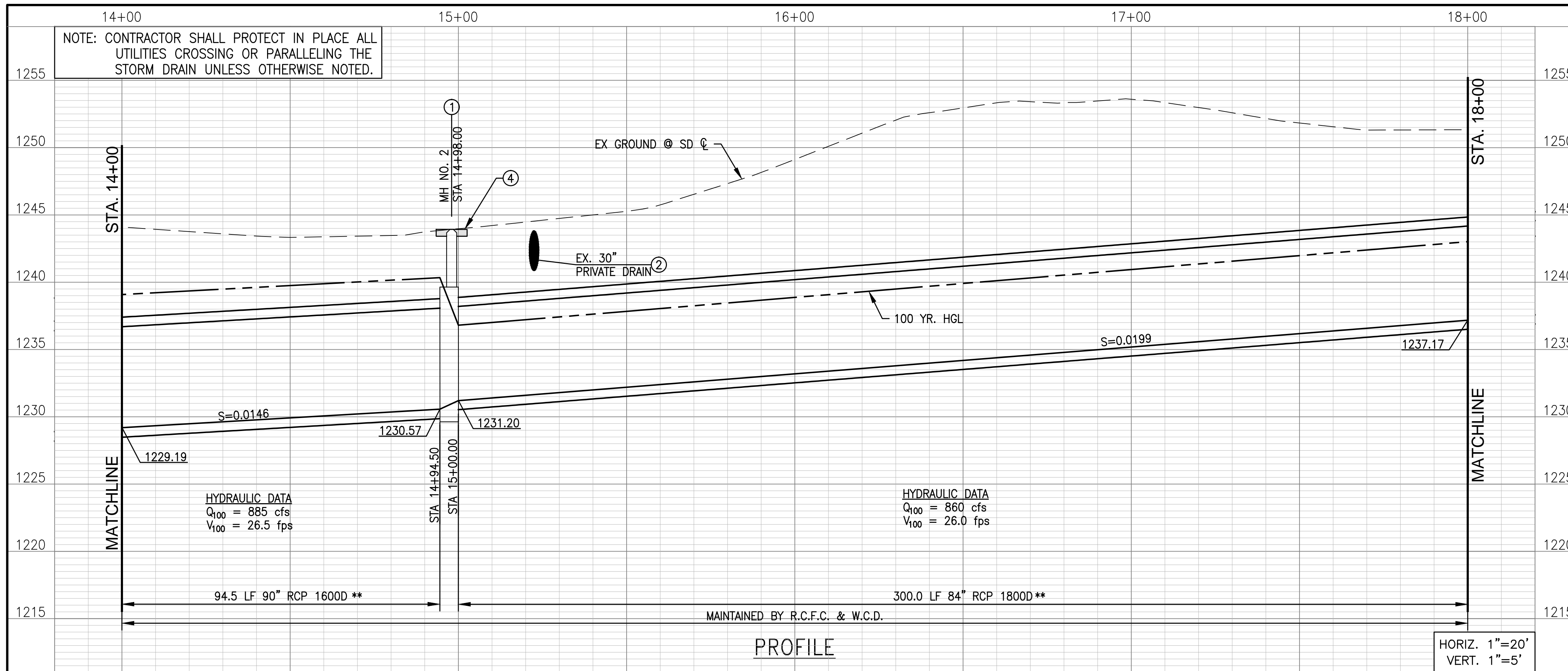
** THE CONCRETE COATING ON THE INSIDE OF ALL REINFORCED CONCRETE PIPES MUST BE INCREASED TO PROVIDE A MINIMUM OF 1-1/2 INCHES OVER THE REINFORCING AND INCREASED TO A MINIMUM OF 3-1/2 INCHES OVER REINFORCING FOR BOX CULVERT, WHEN DESIGN VELOCITIES EXCEED 20 FEET PER SECOND. THE CONCRETE DESIGN STRENGTH IN THESE REACHES SHALL BE F'C=5,000 PSI FOR VELOCITIES EXCEEDING 20 FEET PER SECOND AND F'C=6,000 PSI FOR VELOCITIES EXCEEDING 30 FEET PER SECOND.



- CONSTRUCTION NOTES:**
- ① CONSTRUCT TRANSITION STRUCTURE NO. 1 PER STD TS301. JOIN TO END OF EX 9'W X 5'H RCB. REMOVE DEBRIS/ROCK FROM WITHIN ENTRANCE OF EX RCB PRIOR TO CONSTRUCTION OF TRANSITION STRUCTURE
 - ② CONSTRUCT MANHOLE NO. 2 PER STD. MH252: D1=90", D2=90"
 - ③ CONSTRUCT 6'x6' THICK CONCRETE PAD CENTERED ON MH RISER REINFORCED WITH #4 @ 18" EW
 - ④ REMOVE EX WINGWALL
 - ⑤ CONSTRUCT JUNCTION STRUCTURE NO.1 PER STD JS226 A=74'36"39", B=36", C=6.50', ELEV. S=1224.00, ELEV. R=1224.67
 - ⑥ REMOVE EX RIPRAP. SALVAGE AND PLACE AROUND DROP INLET. SEE DETAIL ON SHEET 11 FOR REMOVAL AND PLACEMENT LIMITS.
 - ⑦ CONSTRUCT 90" RCP - DLOAD PER PROFILE
 - ⑧ PROTECT IN PLACE EX TREE.
 - ⑨ CONSTRUCT 36" RCP - DLOAD PER PROFILE ON SHEET 10.
 - ⑩ CONSTRUCT CONCRETE DROP INLET PER STD CB110. V=5.5', W=8.6', D=36". PLACE 8'Wx2'H OPENING FACING EAST. SEE SHEET 11 FOR GRADING DETAILS.

<p>CITY OF WILDOMAR PUBLIC WORKS DEPARTMENT APPROVED BY: _____ CITY ENGINEER DATE: _____</p>	<p>Don't Dig...Until You Call: U.S.A. Toll Free: 1-800-227-2600 for the location of buried utility lines. Don't disrupt vital services. TWO WORKING DAYS BEFORE YOU DIG</p>	<p>ALBERT A. WEBB ASSOCIATES ENGINEERING CONSULTANTS 3788 McCRA Y STREET, RIVERSIDE CA. 92506 PH. (951) 686-1070 / FAX (951) 788-1256</p>		<table border="1" style="width: 100%; border-collapse: collapse;"> <thead> <tr> <th>REVISIONS</th> <th>DATE</th> <th>DESCRIPTION</th> <th>APPR.</th> <th>DATE</th> </tr> </thead> <tbody> <tr> <td> </td> <td> </td> <td> </td> <td> </td> <td> </td> </tr> </tbody> </table>	REVISIONS	DATE	DESCRIPTION	APPR.	DATE						<p>RIVERSIDE COUNTY FLOOD CONTROL AND WATER CONSERVATION DISTRICT</p> <p>RECOMMENDED FOR APPROVAL BY: _____ DATE: _____</p> <p>APPROVED BY: _____ DATE: _____</p>	<p>WILDOMAR MDP LATERAL C-1 STORM DRAIN STA 10+00.00 TO STA 14+00.00</p>	<p>PROJECT NO. 7-0-00076 DRAWING NO. 7-0533 SHEET NO. 2 OF 15</p>
REVISIONS	DATE	DESCRIPTION	APPR.	DATE													

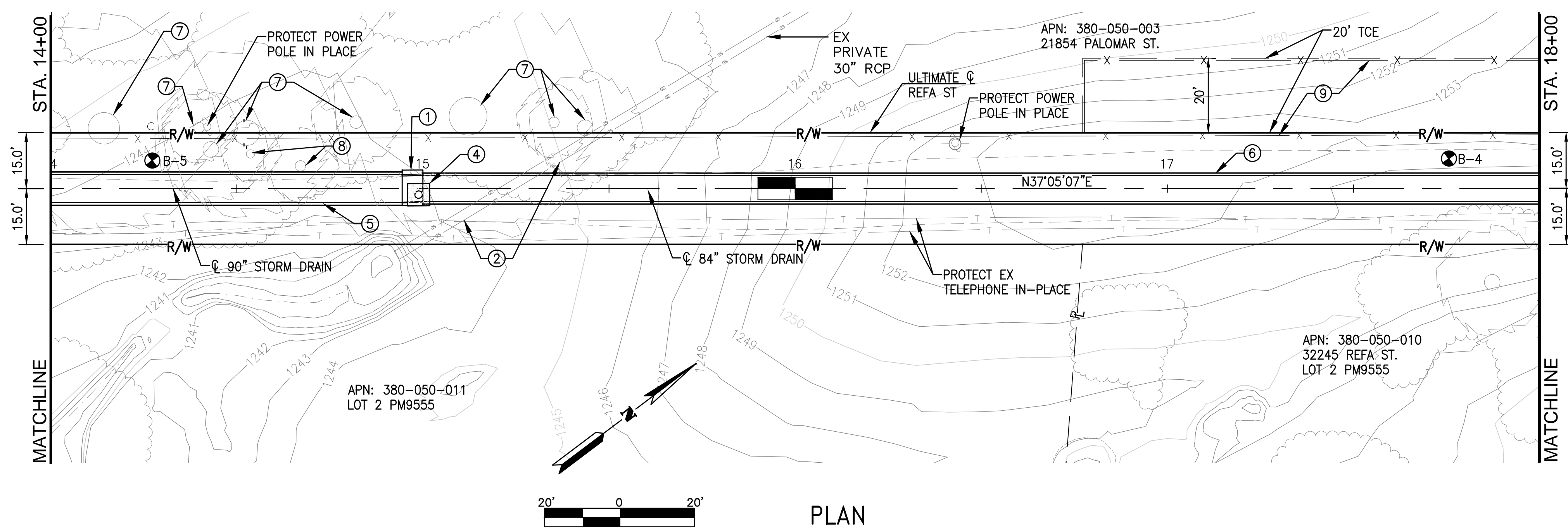
SUBMITTAL 5 - 100% - FOR REVIEW ONLY 7/17/2015 4:46:07 PM G:\2014\14-0164\DRAWINGS\DESIGN\14-0164-C-SD.DWG



** THE CONCRETE COATING ON THE INSIDE OF ALL REINFORCED CONCRETE PIPES MUST BE INCREASED TO PROVIDE A MINIMUM OF 1-1/2 INCHES OVER THE REINFORCING AND INCREASED TO A MINIMUM OF 3-1/2 INCHES OVER REINFORCING FOR BOX CULVERT, WHEN DESIGN VELOCITIES EXCEED 20 FEET PER SECOND. THE CONCRETE DESIGN STRENGTH IN THESE REACHES SHALL BE F'C=5,000 PSI FOR VELOCITIES EXCEEDING 20 FEET PER SECOND AND F'C=6,000 PSI FOR VELOCITIES EXCEEDING 30 FEET PER SECOND.

CONSTRUCTION NOTES:

- ① CONSTRUCT MANHOLE NO. 2 PER STD. MH252: D1=84", D2=90"
- ② REMOVE & REPLACE INTERFERING PORTIONS OF EX PRIVATE 30" RCP
- ④ CONSTRUCT 6'x6" THICK CONCRETE PAD CENTERED ON MH RISER REINFORCED WITH #4 @ 18" EW
- ⑤ CONSTRUCT 90" RCP - DLOAD PER PROFILE
- ⑥ CONSTRUCT 84" RCP - DLOAD PER PROFILE
- ⑦ PROTECT TREE IN PLACE.
- ⑧ REMOVE EX 10"-12" TREES (2) AND INTERFERING ROOTS.
- ⑨ REMOVE AND SALVAGE EXISTING FENCE, INSTALL TEMPORARY FENCE AT TCE, REGRADE TCE TO EXISTING CONDITION, HYDROSEED PER SPECIFICATION, AND REPLACE SALVAGED FENCE AFTER CONSTRUCTION



CITY OF WILDOMAR
 PUBLIC WORKS DEPARTMENT
 APPROVED BY: _____
 CITY ENGINEER DATE:

Don't Dig...Until You Call:
 U.S.A. Toll Free:
 1-800-227-2600
 for the location
 of buried
 utility lines.
 Don't disrupt
 vital services.
 TWO WORKING DAYS BEFORE YOU DIG

ALBERT A.
WEBB
 ASSOCIATES
 ENGINEERING CONSULTANTS
 3788 McCRAY STREET, RIVERSIDE CA. 92506
 PH. (951) 686-1070 / FAX (951) 788-1256

REGISTERED PROFESSIONAL ENGINEER
 RIVERSIDE COUNTY, CALIFORNIA
 NO. C87239
 CIVIL
 STATE OF CALIFORNIA

ENGINEER, RCE DATE:

REF.	DESCRIPTION	APPR.	DATE

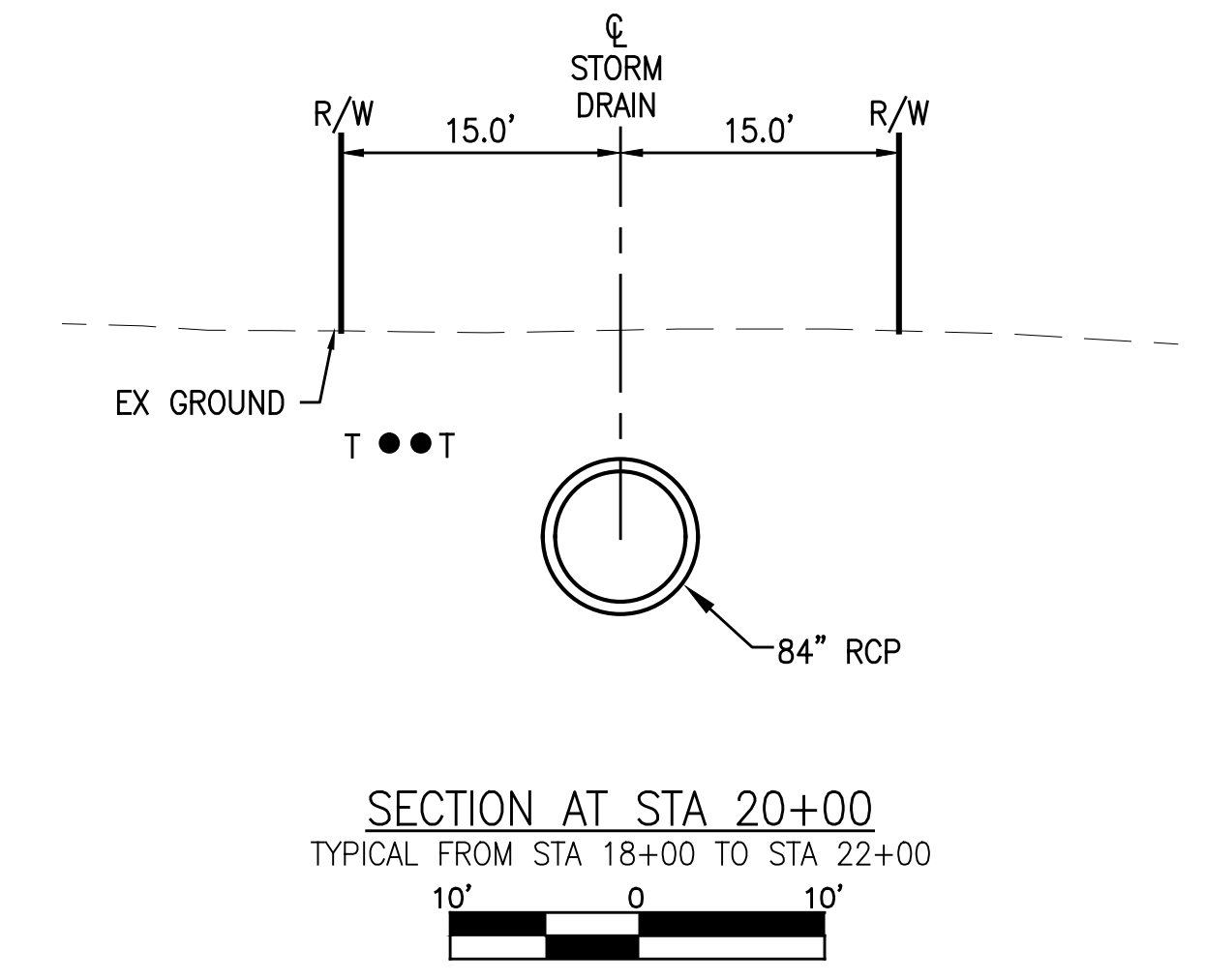
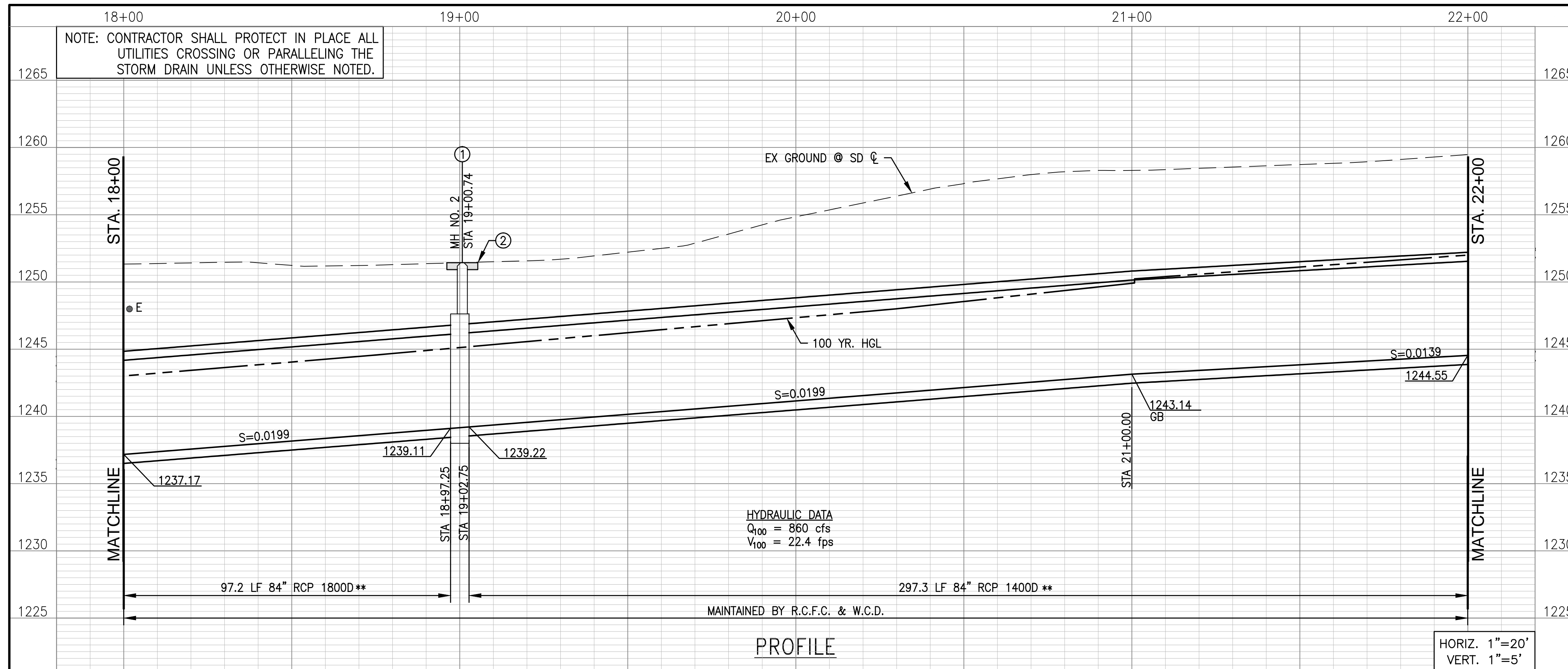
RIVERSIDE COUNTY FLOOD CONTROL
 AND
 WATER CONSERVATION DISTRICT

RECOMMENDED FOR APPROVAL BY: _____
 DATE: _____

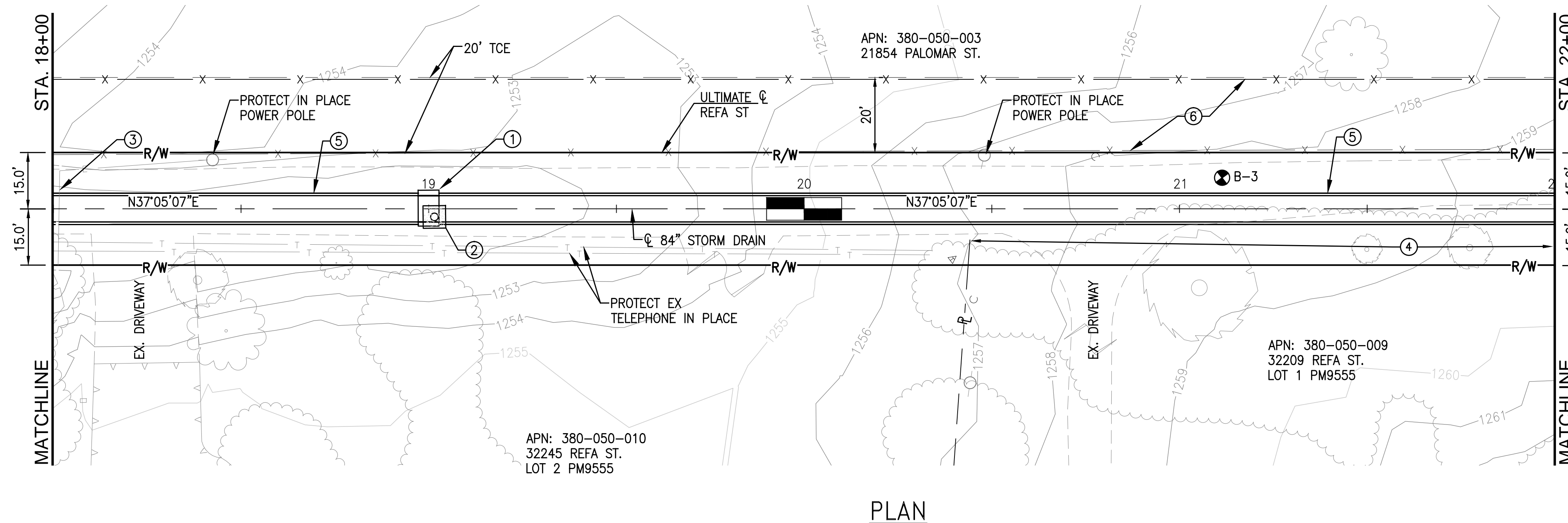
APPROVED BY: _____
 DATE: _____

WILDOMAR MDP
 LATERAL C-1 STORM DRAIN
 STA 14+00.00 TO STA 18+00.00

PROJECT NO.
 7-0-00076
 DRAWING NO.
 7-0533
 SHEET NO.
 3 OF 15

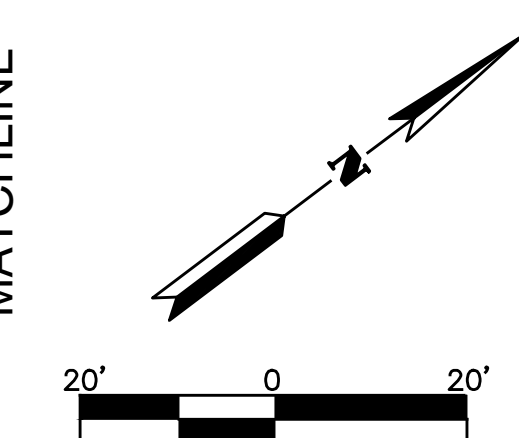


** THE CONCRETE COATING ON THE INSIDE OF ALL REINFORCED CONCRETE PIPES MUST BE INCREASED TO PROVIDE A MINIMUM OF 1-1/2 INCHES OVER THE REINFORCING AND INCREASED TO A MINIMUM OF 3-1/2 INCHES OVER REINFORCING FOR BOX CULVERT, WHEN DESIGN VELOCITIES EXCEED 20 FEET PER SECOND. THE CONCRETE DESIGN STRENGTH IN THESE REACHES SHALL BE F'C=5,000 PSI FOR VELOCITIES EXCEEDING 20 FEET PER SECOND AND F'C=6,000 PSI FOR VELOCITIES EXCEEDING 30 FEET PER SECOND.

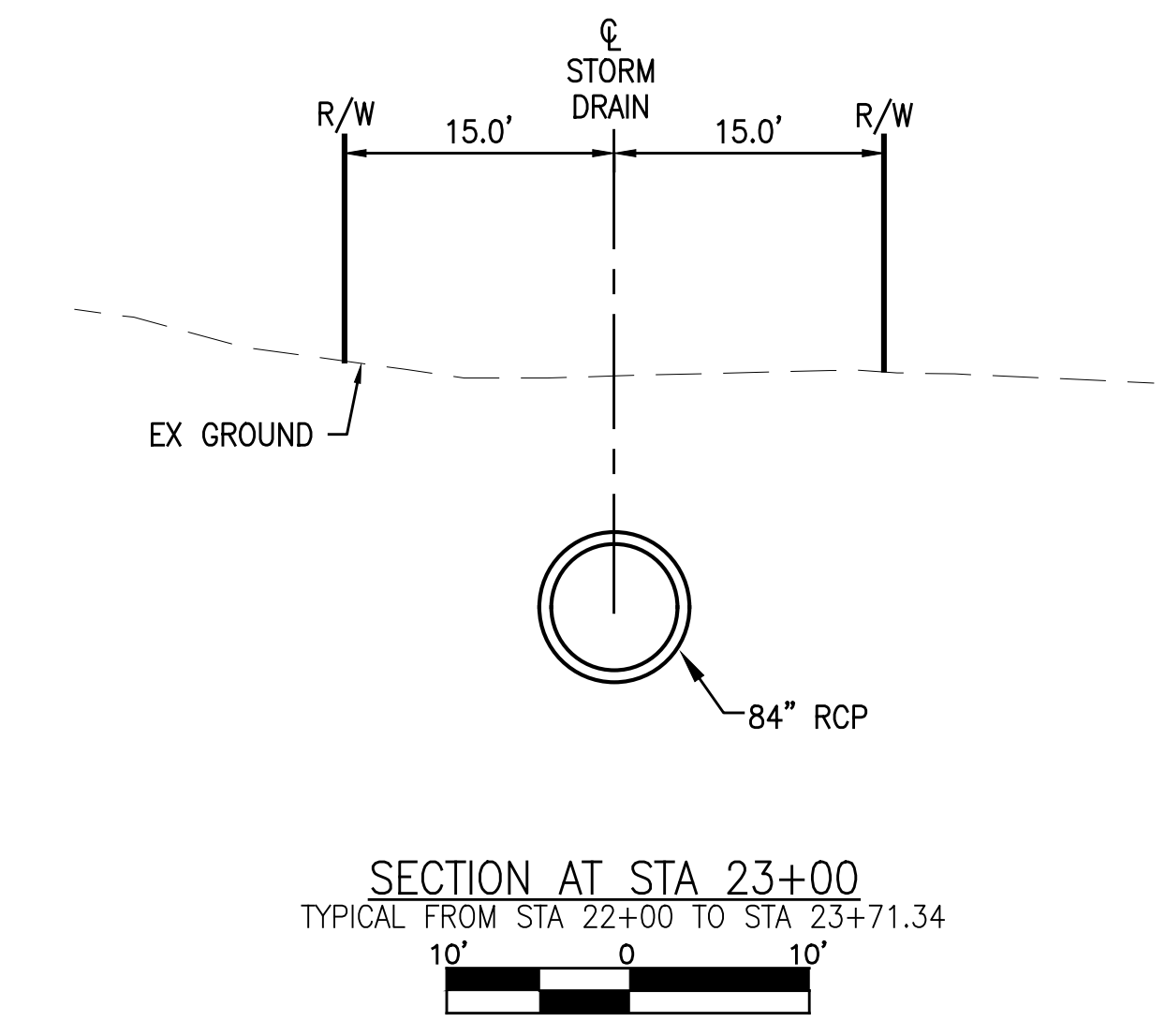
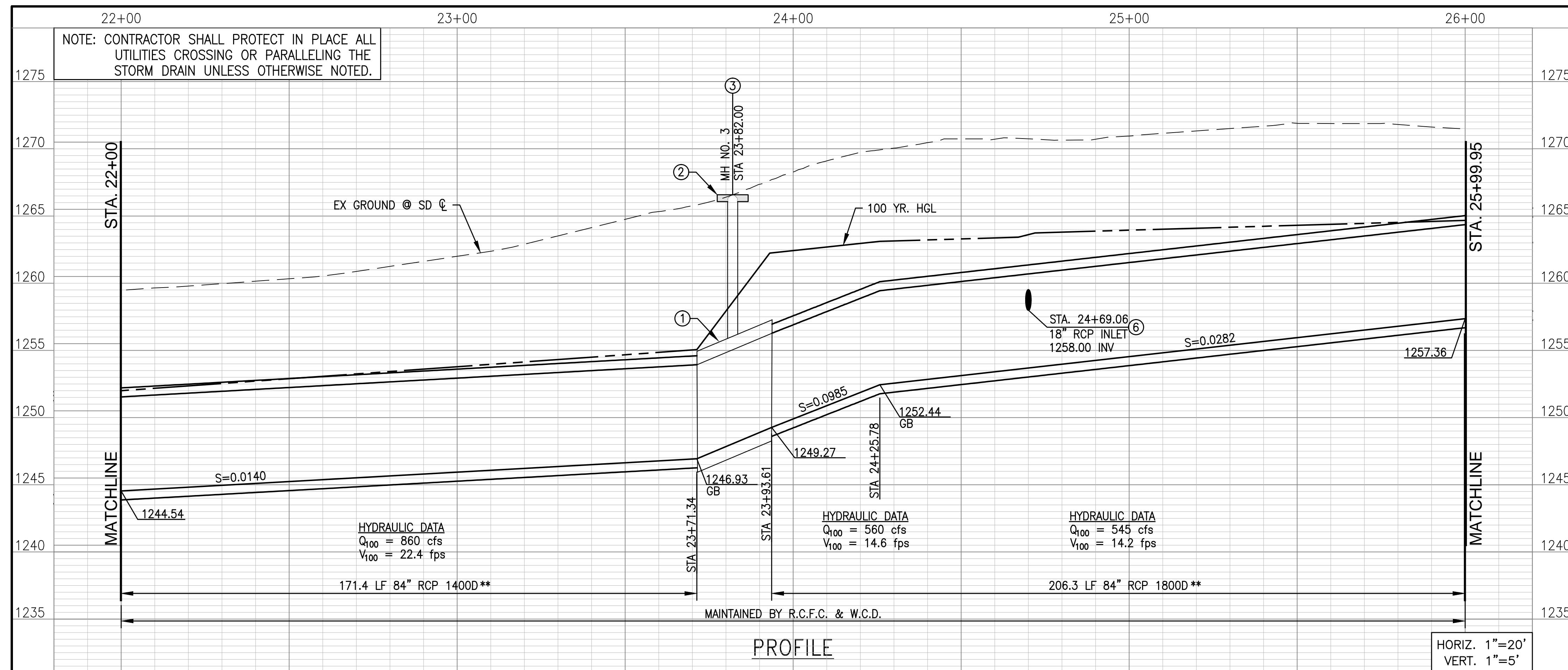


CONSTRUCTION NOTES:

- ① CONSTRUCT MANHOLE NO. 2 PER STD. MH252: D1=84", D2=84"
- ② CONSTRUCT 6'x6'x6" THICK CONCRETE PAD CENTERED ON MH RISER REINFORCED WITH #4 @ 18" EW
- ③ PROTECT EX ELECTRICAL SERVICE IN-PLACE
- ④ REMOVE ALL EX TREES, BUSHES, AND IRRIGATION SYSTEM W/IN R/W STA 20+40 TO STA 22+00.
- ⑤ CONSTRUCT 84" RCP - LOAD PER PROFILE
- ⑥ REMOVE AND SALVAGE EXISTING FENCE, INSTALL TEMPORARY FENCE AT TCE, REGRADE TCE TO EXISTING CONDITION, HYDROSEED PER SPECIFICATION, AND REPLACE SALVAGED FENCE AFTER CONSTRUCTION

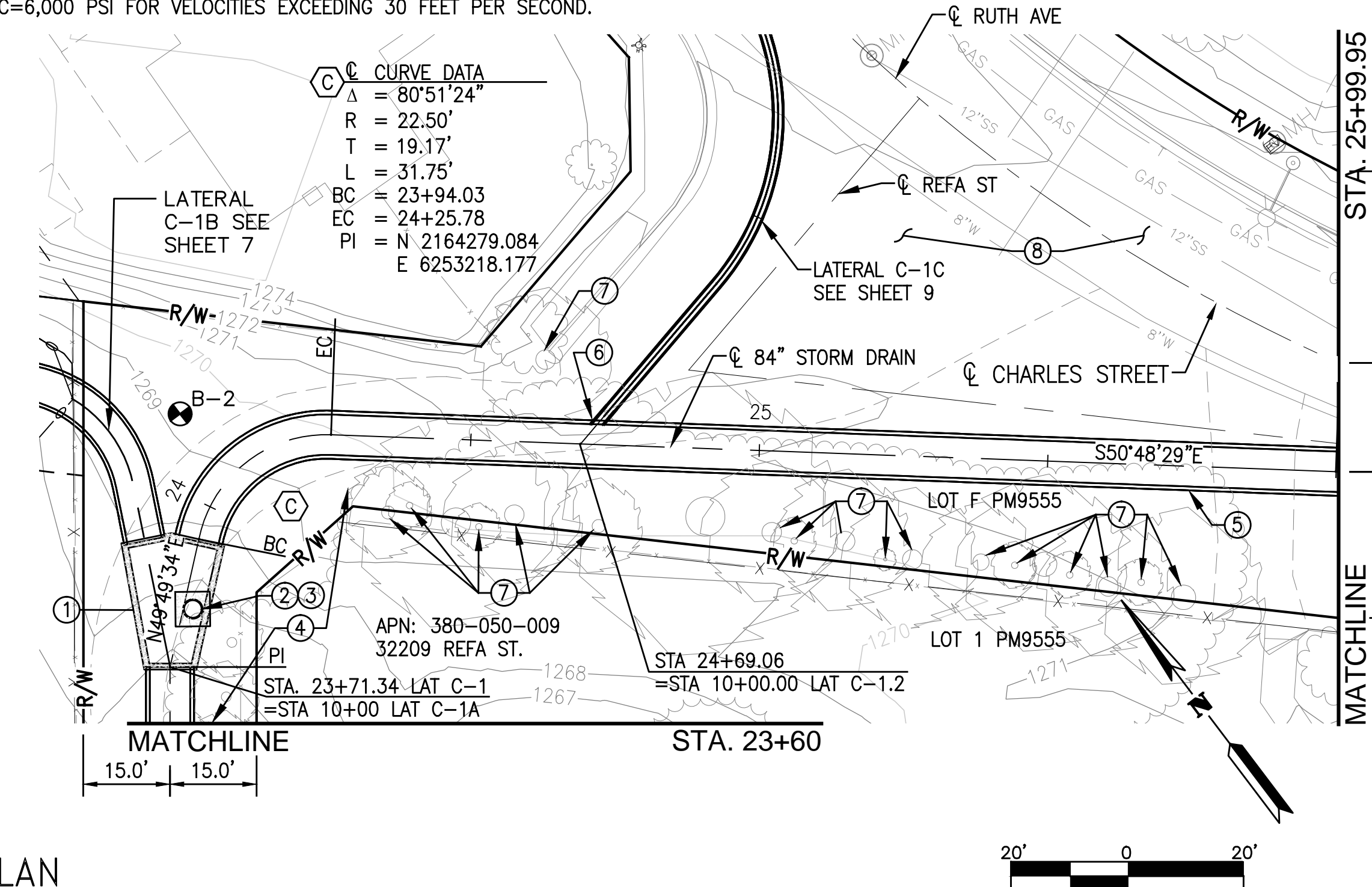
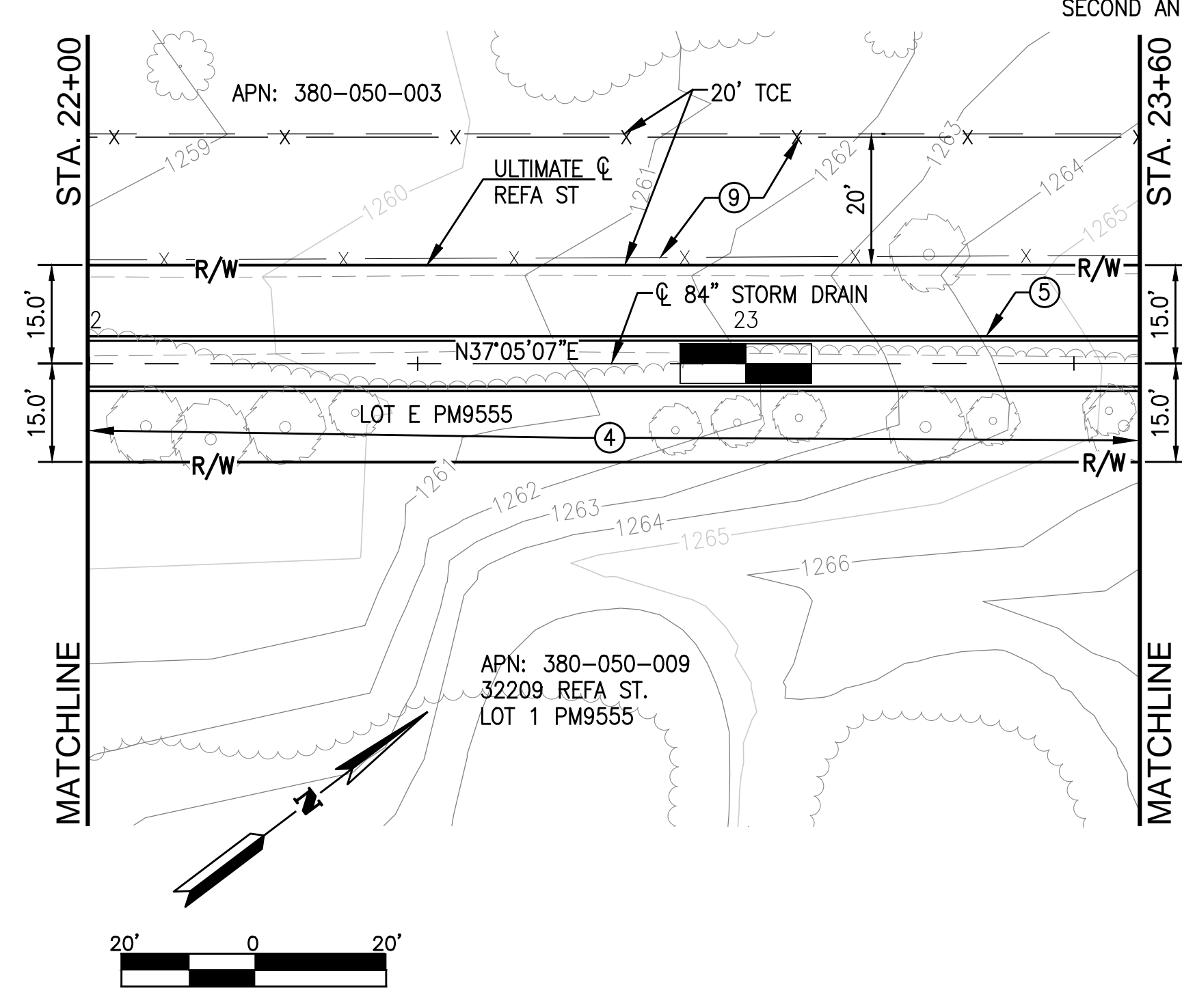


CITY OF WILDOMAR PUBLIC WORKS DEPARTMENT APPROVED BY: _____ CITY ENGINEER _____ DATE: _____	Don't Dig...Until You Call: U.S.A. Toll Free: 1-800-227-2600 for the location of buried utility lines. Don't disrupt vital services. TWO WORKING DAYS BEFORE YOU DIG	ALBERT A. WEBB ASSOCIATES ENGINEERING CONSULTANTS 3788 McCRA Y STREET, RIVERSIDE CA. 92506 PH. (951) 686-1070 / FAX (951) 788-1256		REVISIONS		RIVERSIDE COUNTY FLOOD CONTROL AND WATER CONSERVATION DISTRICT RECOMMENDED FOR APPROVAL BY: _____ DATE: _____ APPROVED BY: _____ DATE: _____		WILDOMAR MDP LATERAL C-1 STORM DRAIN STA 18+00.00 TO STA 22+00.00	PROJECT NO. 7-0-00076
				REF.	DESCRIPTION	APPR.	DATE		DRAWING NO. 7-0533



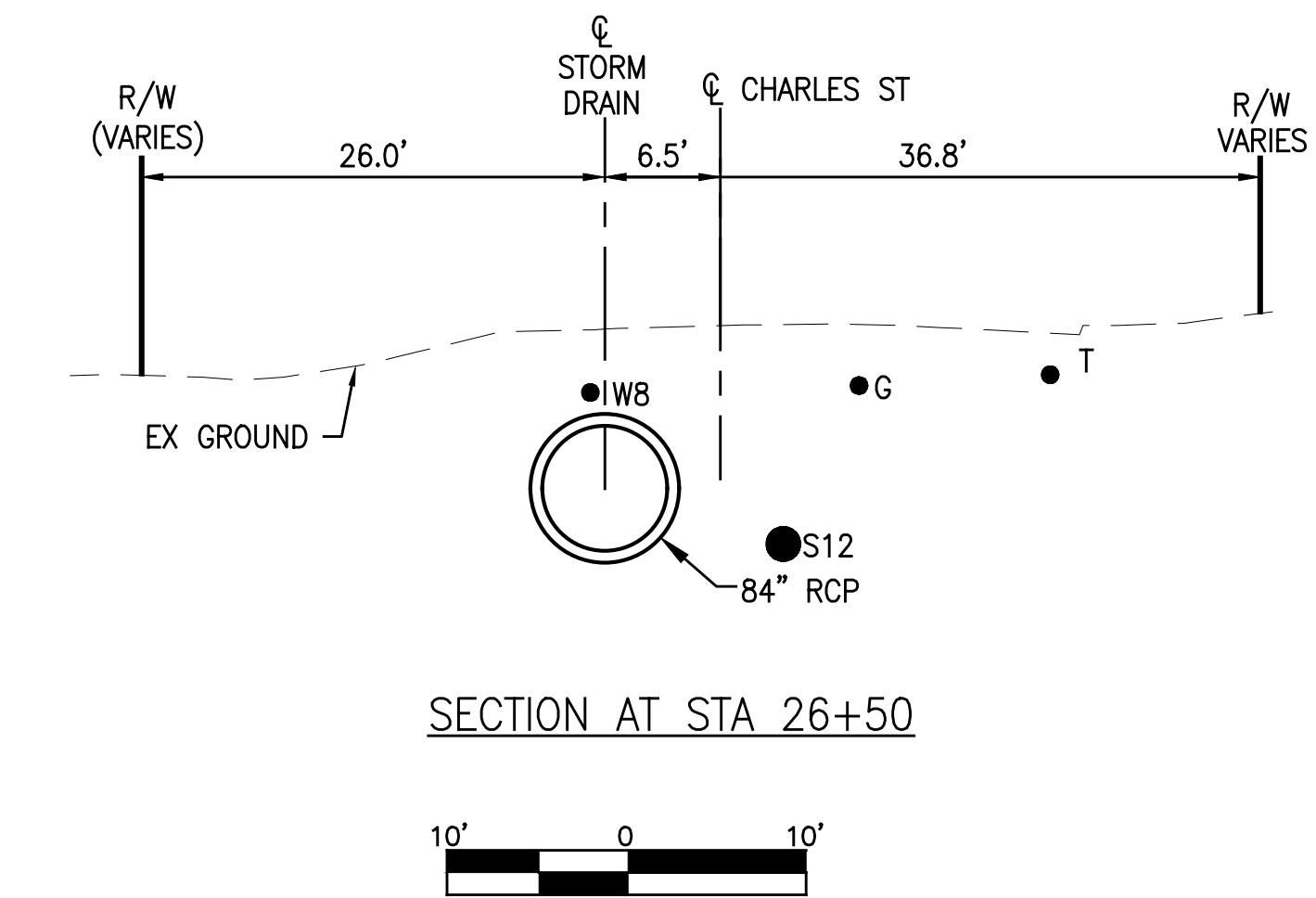
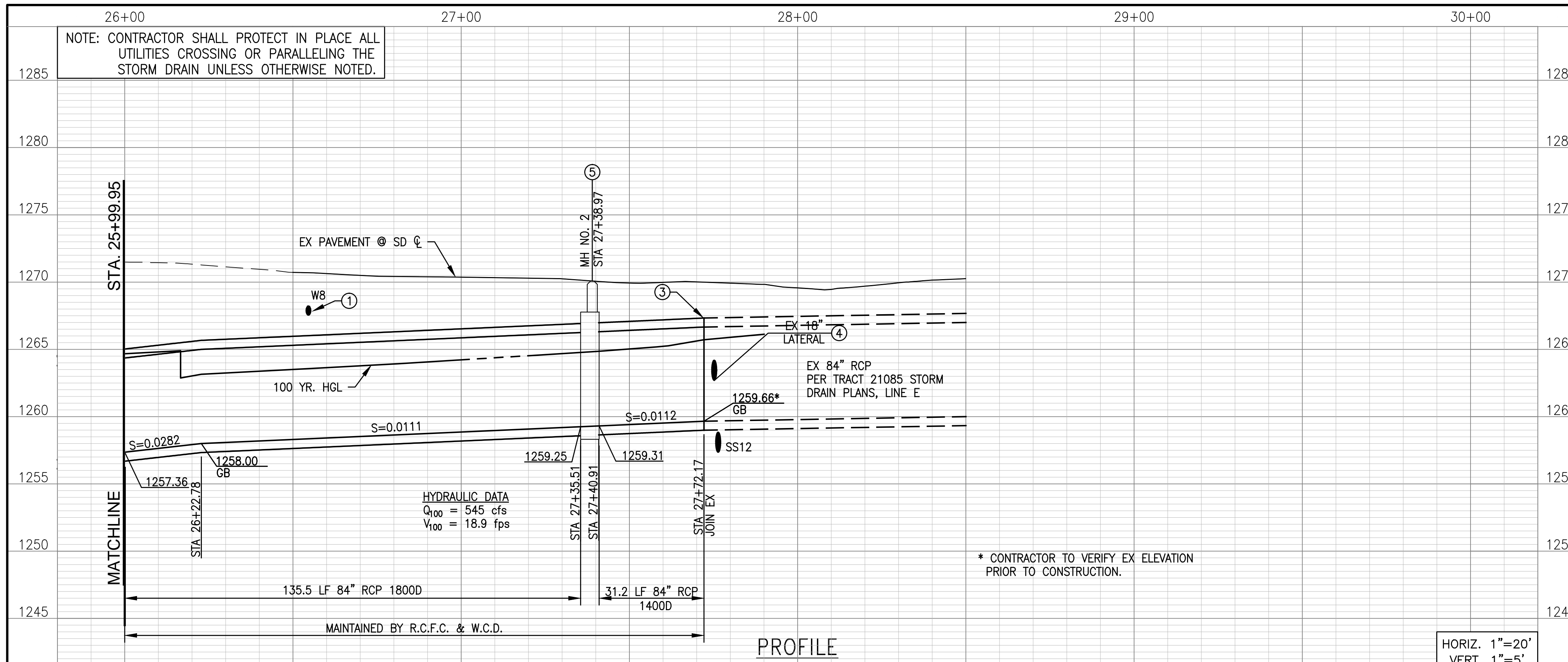
- CONSTRUCTION NOTES:**
- ① CONSTRUCT JUNCTION STRUCTURE PER DETAIL ON SHEET 12
 - ② CONSTRUCT 6'x6' THICK CONCRETE PAD CENTERED ON MH RISER REINFORCED WITH #4 @ 18" EW
 - ③ CONSTRUCT MANHOLE NO.3 PER STD MH253
 - ④ REMOVE ALL EX TREES, BUSHES, AND IRRIGATION W/IN R/W STA 22+00 TO STA 24+30
 - ⑤ CONSTRUCT 84" RCP - LOAD PER PROFILE
 - ⑥ CONSTRUCT JUNCTION STRUCTURE NO. 4 PER STD. JS229.
 - ⑦ PROTECT IN PLACE EX TREES
 - ⑧ SEE SHEET 14 FOR PAVING PLAN AND TRENCH REPAIR LIMITS
 - ⑨ REMOVE AND SALVAGE EXISTING FENCE, INSTALL TEMPORARY FENCE AT TCE, REGRADE TCE TO EXISTING CONDITION, HYDROSEED PER SPECIFICATION, AND REPLACE SALVAGED FENCE AFTER CONSTRUCTION

** THE CONCRETE COATING ON THE INSIDE OF ALL REINFORCED CONCRETE PIPES MUST BE INCREASED TO PROVIDE A MINIMUM OF 1-1/2 INCHES OVER THE REINFORCING AND INCREASED TO A MINIMUM OF 3-1/2 INCHES OVER REINFORCING FOR BOX CULVERT, WHEN DESIGN VELOCITIES EXCEED 20 FEET PER SECOND. THE CONCRETE DESIGN STRENGTH IN THESE REACHES SHALL BE F'C=5,000 PSI FOR VELOCITIES EXCEEDING 20 FEET PER SECOND AND F'C=6,000 PSI FOR VELOCITIES EXCEEDING 30 FEET PER SECOND.

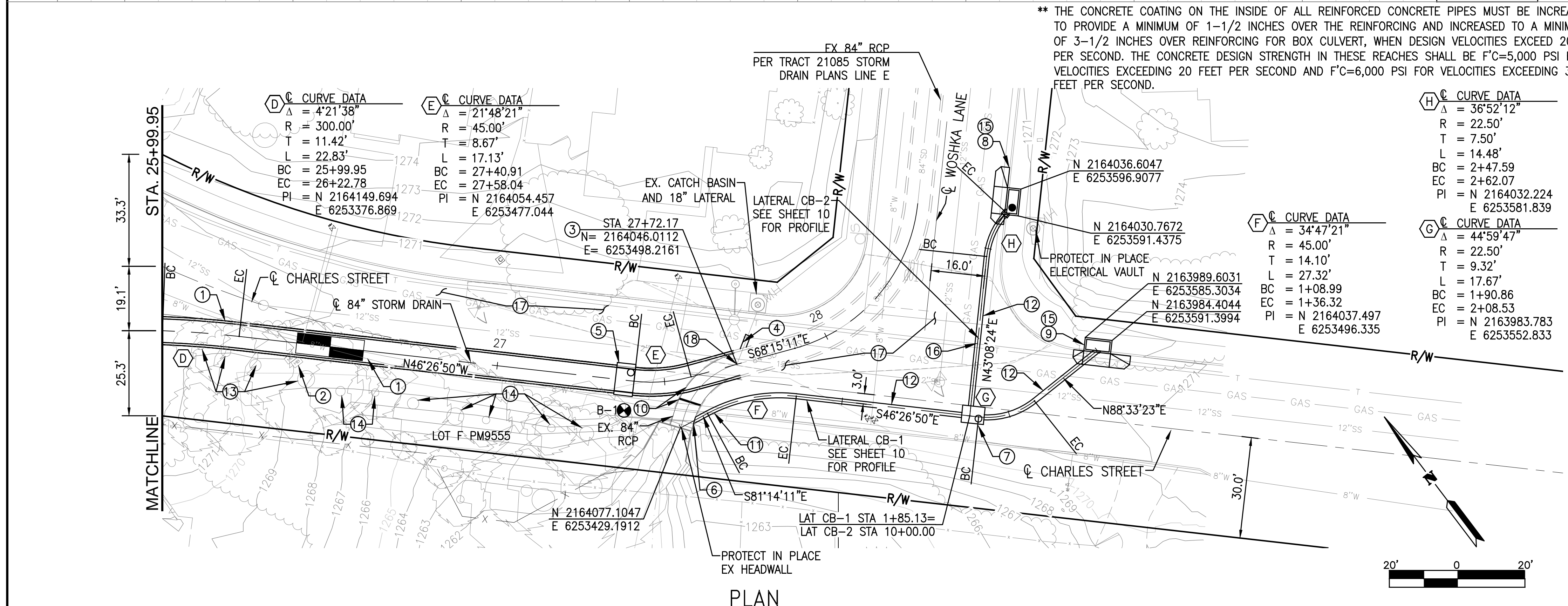


CITY OF WILDOMAR PUBLIC WORKS DEPARTMENT APPROVED BY: _____ CITY ENGINEER	Don't Dig...Until You Call: U.S.A. Toll Free: 1-800-227-2600 for the location of buried utility lines. Don't disrupt vital services. TWO WORKING DAYS BEFORE YOU DIG	ALBERT A. WEBB ASSOCIATES ENGINEERING CONSULTANTS 3788 McCRAY STREET, RIVERSIDE CA. 92506 PH. (951) 686-1070 / FAX (951) 788-1256		REVISIONS <table border="1" style="width: 100%; border-collapse: collapse;"> <thead> <tr> <th>REF.</th> <th>DESCRIPTION</th> <th>APPR.</th> <th>DATE</th> </tr> </thead> <tbody> <tr><td> </td><td> </td><td> </td><td> </td></tr> <tr><td> </td><td> </td><td> </td><td> </td></tr> <tr><td> </td><td> </td><td> </td><td> </td></tr> </tbody> </table>	REF.	DESCRIPTION	APPR.	DATE													RIVERSIDE COUNTY FLOOD CONTROL AND WATER CONSERVATION DISTRICT RECOMMENDED FOR APPROVAL BY: _____ DATE: _____ APPROVED BY: _____ DATE: _____	WILDOMAR MDP LATERAL C-1 STORM DRAIN STA 22+00.00 TO STA 25+99.95	PROJECT NO. 7-0-00076 DRAWING NO. 7-0533 SHEET NO. 5 OF 15
REF.	DESCRIPTION	APPR.	DATE																				

SUBMITTAL 5 - 100% - FOR REVIEW ONLY 7/17/2015 4:46:26 PM G:\2014\14-016A\DRAWINGS\DESIGN\14-016A-C-SD.DWG



- CONSTRUCTION NOTES:**
- ① RELOCATE EX 8" WATER PER EVMD DRAWING SK-75910
 - ② REMOVE & REPLACE EX MAILBOXES IN KIND. TEMPORARY MAIL BOXES SHALL BE COORDINATED WITH POST OFFICE PER SPECIFICATIONS.
 - ③ JOIN EXISTING 84" RCP TO NEW 84" RCP AT EXISTING JOINT.
 - ④ VERIFY LOCATION OF EXISTING 18" LATERAL CONNECTION PRIOR TO CONSTRUCTION. REPLACE OR RELOCATE IF REQUIRED.
 - ⑤ CONSTRUCT MANHOLE NO. 2 PER STD. MH252: D1=84", D2=84"
 - ⑥ CONSTRUCT JUNCTION STRUCTURE NO.4 PER STD JS229.
 - ⑦ CONSTRUCT MANHOLE NO.1 PER STD. MH251
 - ⑧ CONSTRUCT CATCH BASIN NO.1 PER STD. CB100. W=7', V=7.9'. SEE PROFILE ON SHEET 10. CONSTRUCT GUTTER DEPRESSION PER STD. LD201. CONSTRUCT CORNER CONNECTION TO CATCHBASIN PER STD. CB109.
 - ⑨ CONSTRUCT CATCHBASIN NO.1 PER STD. CB100. W=7', V=7.8'. SEE PROFILE ON SHEET 10. CONSTRUCT GUTTER DEPRESSION PER STD. LD201
 - ⑩ REMOVE INTERFERING PORTIONS OF EX 84" RCP (26LF±) AND INSTALL BULKHEAD PER STD M816. THE CITY OF WILDOMAR TO MAINTAIN REMAINING PORTIONS OF 84" RCP CONNECTED TO LATERAL CB-1, INCLUDING BULKHEAD AND HEADWALL.
 - ⑪ REMOVE AND REPLACE EX 12" PVC OVERSIDE DRAIN AND AC BERM IN KIND.
 - ⑫ INSTALL 18" RCP, CLASS IV.
 - ⑬ REMOVE AND DISPOSE OF INTERFERING EX TREES.
 - ⑭ PROTECT TREE IN PLACE.
 - ⑮ REMOVE INTERFERING PORTIONS OF CURB, GUTTER, AND SIDEWALK TO NEAREST CONSTRUCTION JOINT. REPLACE IN KIND TO THE SATISFACTION OF THE CITY ENGINEER.
 - ⑯ REMOVE AND REPLACE TO NEAREST JOINT INTERFERING PORTIONS OF EX CROSS GUTTER IN KIND. SEE SHEET 14 FOR PAVING PLAN.
 - ⑰ SEE SHEET 14 FOR PAVING PLAN AND TRENCH REPAIR LIMITS.
 - ⑱ PROTECT EXISTING 12" SEWER IN PLACE PER STD. M807



** THE CONCRETE COATING ON THE INSIDE OF ALL REINFORCED CONCRETE PIPES MUST BE INCREASED TO PROVIDE A MINIMUM OF 1-1/2 INCHES OVER THE REINFORCING AND INCREASED TO A MINIMUM OF 3-1/2 INCHES OVER REINFORCING FOR BOX CULVERT, WHEN DESIGN VELOCITIES EXCEED 20 FEET PER SECOND. THE CONCRETE DESIGN STRENGTH IN THESE REACHES SHALL BE F'C=5,000 PSI FOR VELOCITIES EXCEEDING 20 FEET PER SECOND AND F'C=6,000 PSI FOR VELOCITIES EXCEEDING 30 FEET PER SECOND.

CITY OF WILDOMAR
PUBLIC WORKS DEPARTMENT
APPROVED BY: _____
CITY ENGINEER DATE: _____

Don't Dig...Until You Call:
U.S.A. Toll Free:
1-800-227-2600
for the location
of buried
utility lines.
Don't disrupt
vital services.
TWO WORKING DAYS BEFORE YOU DIG

ALBERT A.
WEBB
ASSOCIATES
ENGINEERING CONSULTANTS
3788 McCRA Y STREET, RIVERSIDE CA. 92506
PH. (951) 686-1070 / FAX (951) 788-1256

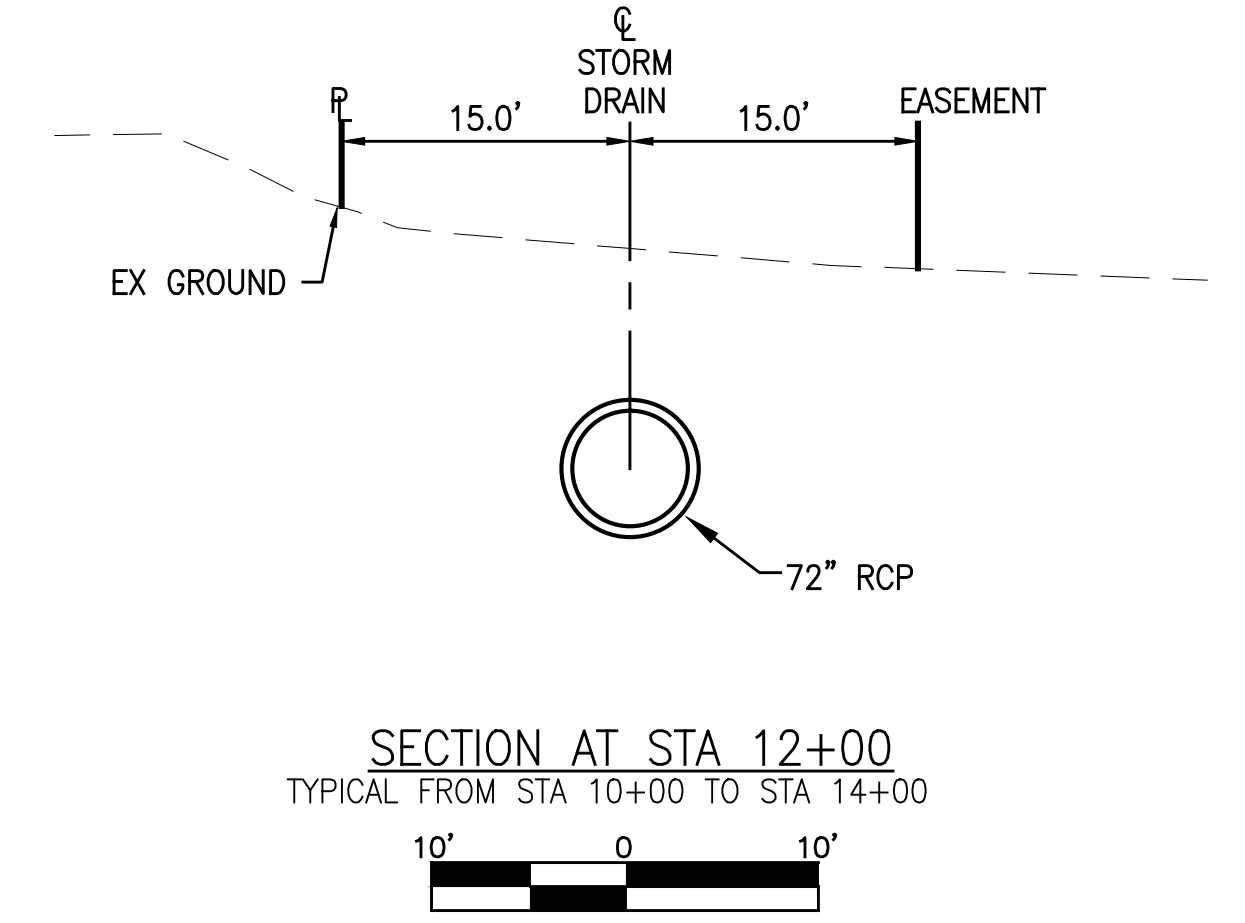
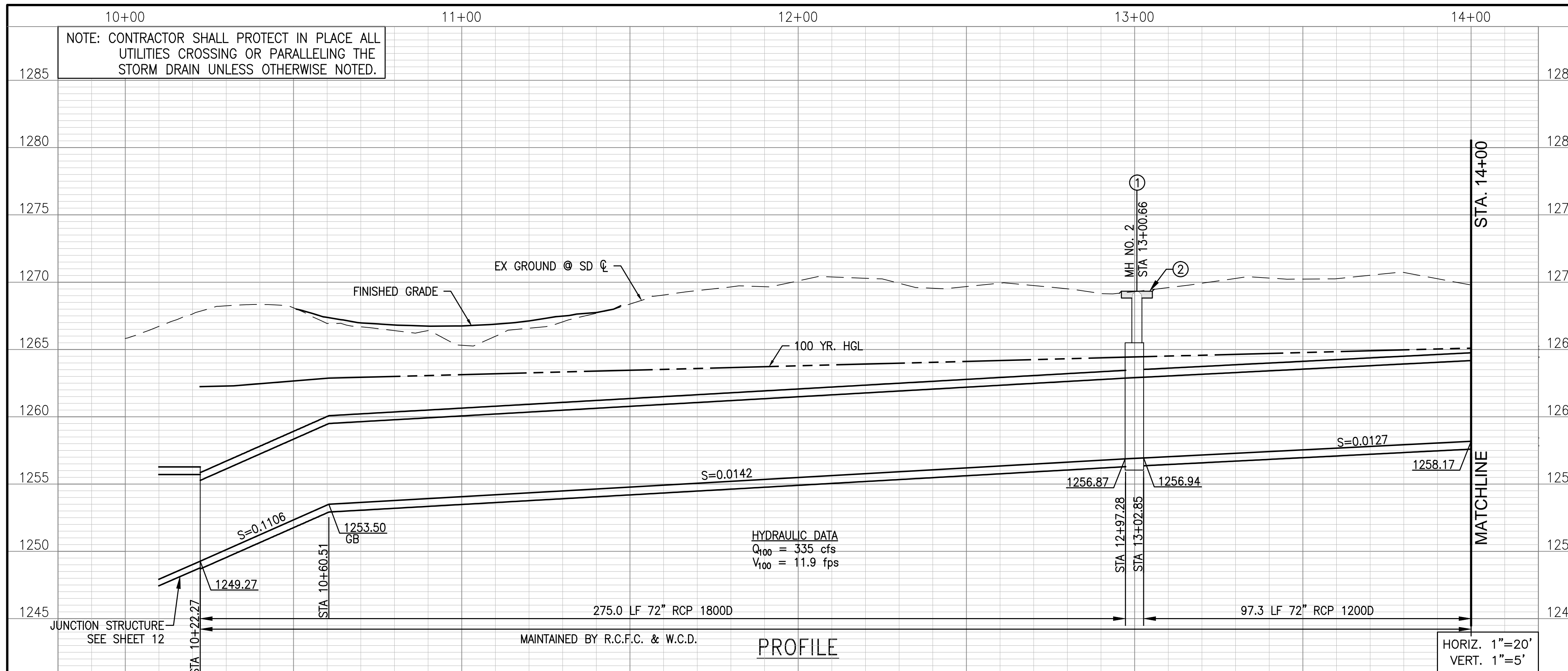
REGISTERED PROFESSIONAL ENGINEER
RIVERSIDE COUNTY CALIFORNIA
NO. C87239
CIVIL
STATE OF CALIFORNIA

REF.	DESCRIPTION	APPR.	DATE

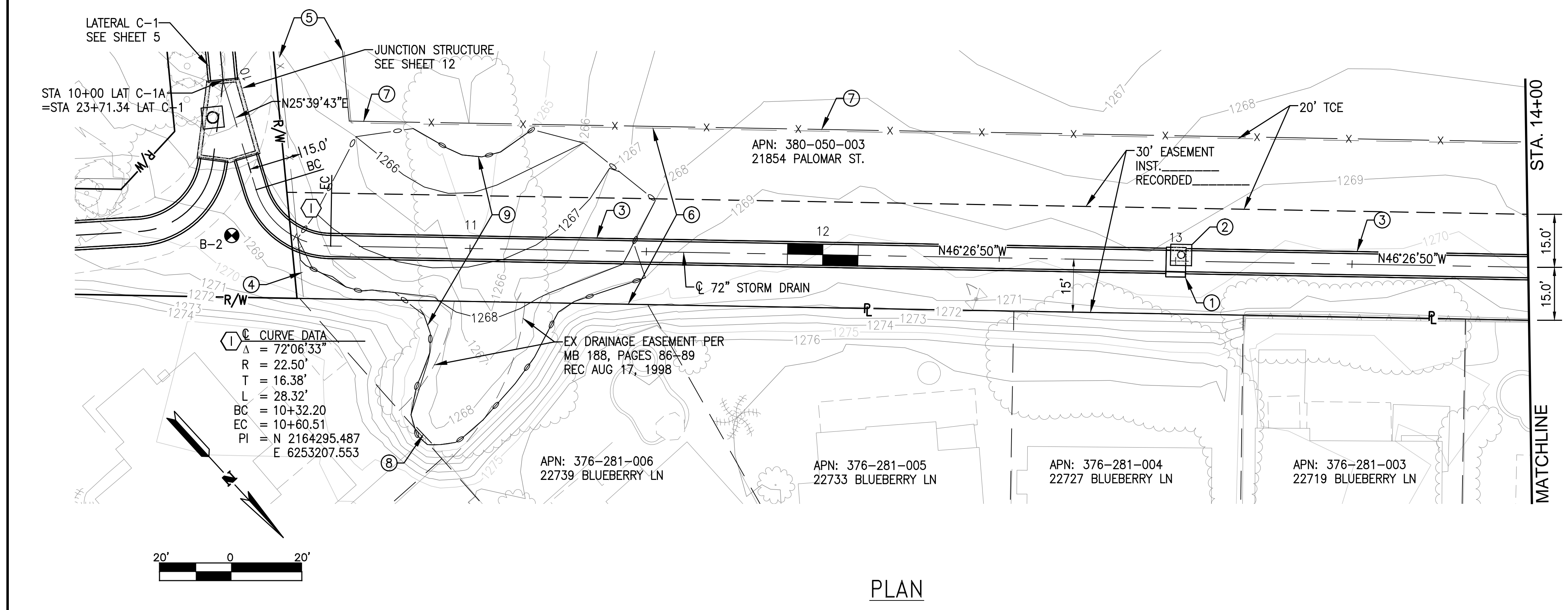
RIVERSIDE COUNTY FLOOD CONTROL
AND
WATER CONSERVATION DISTRICT
RECOMMENDED FOR APPROVAL BY: _____
DATE: _____
APPROVED BY: _____
DATE: _____

WILDOMAR MDP
LATERAL C-1 STORM DRAIN
STA 25+99.95 TO STA 27+72.17
LAT CB-1 & LAT CB-2

PROJECT NO.
7-0-00076
DRAWING NO.
7-0533
SHEET NO.
6 OF 15



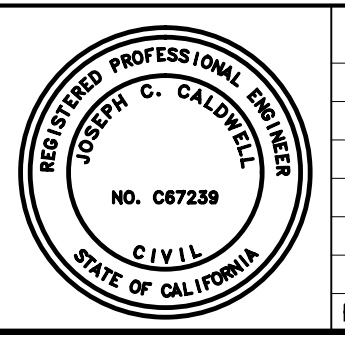
- CONSTRUCTION NOTES:**
- ① CONSTRUCT MANHOLE NO. 2 PER STD. MH252: D1=72", D2=72"
 - ② CONSTRUCT 6'x6'x6" THICK CONCRETE PAD CENTERED ON RISER REINFORCED WITH #4 @ 18" EW
 - ③ CONSTRUCT 72" RCP - D-LOAD PER PROFILE
 - ④ SALVAGE & REPLACE EXISTING FENCE
 - ⑤ REMOVE AND SALVAGE EXISTING FENCE, INSTALL TEMPORARY FENCE AT TCE, REPLACE SALVAGED FENCE AFTER CONSTRUCTION
 - ⑥ RESTORE AREA TO NATURAL CONTOURS AND HYDROSEED PER SPECIFICATIONS.
 - ⑦ INSTALL TEMPORARY FENCE.
 - ⑧ REMOVE EXIST RIP-RAP AND HEADWALL - BULKHEAD ABANDONED SD PER RCF&WCD STD DWG M816. BACKFILL AROUND BULKHEAD AS DIRECTED BY ENGINEER
 - ⑨ GRADE TO CONTOURS SHOWN AND HYDROSEED PER SEPCIFICATIONS



CITY OF WILDOMAR
PUBLIC WORKS DEPARTMENT
APPROVED BY: _____
CITY ENGINEER _____ DATE: _____

Don't Dig...Until You Call:
U.S.A. Toll Free:
1-800-227-2600
for the location
of buried
utility lines.
Don't disrupt
vital services.
TWO WORKING DAYS BEFORE YOU DIG

ALBERT A.
WEBB
ASSOCIATES
ENGINEERING CONSULTANTS
3788 McCRA Y STREET, RIVERSIDE CA. 92506
PH. (951) 686-1070 / FAX (951) 788-1256



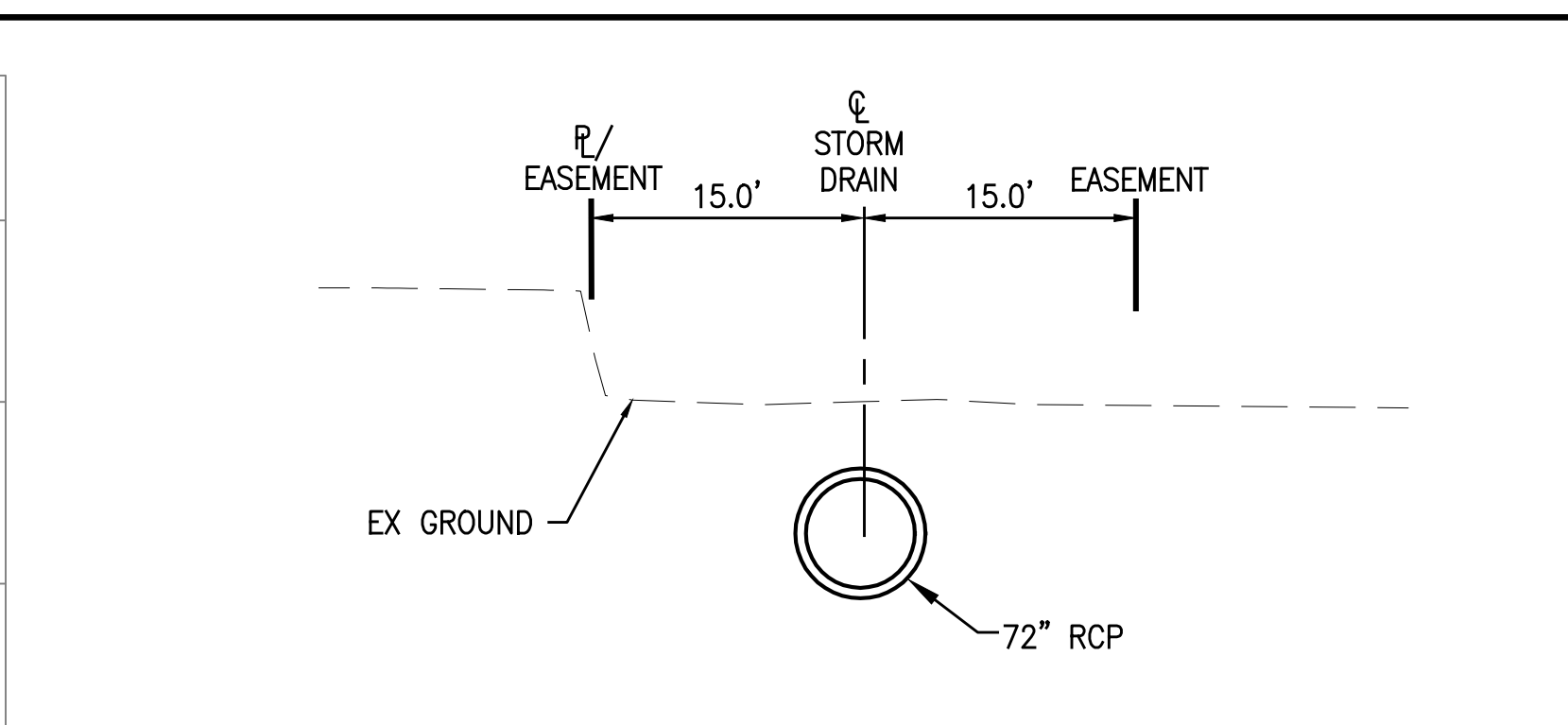
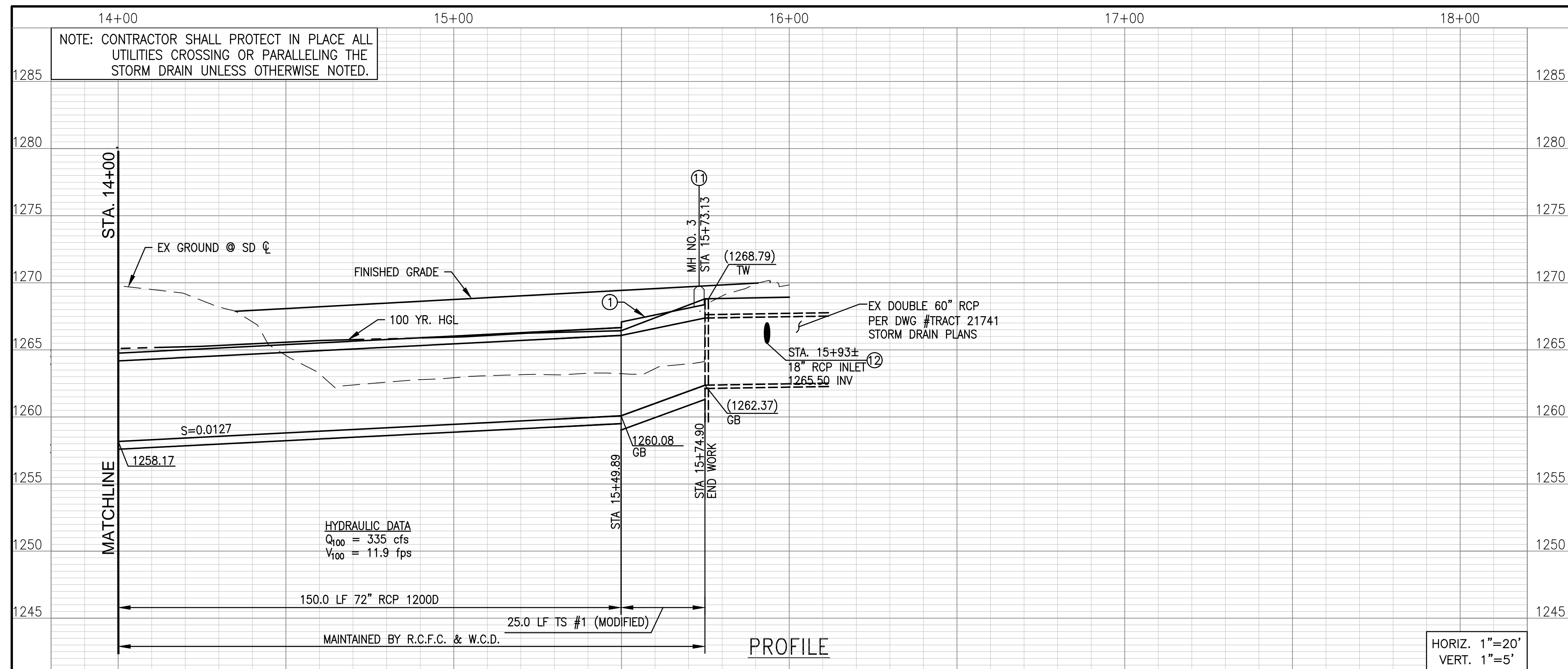
REF.	DESCRIPTION	APPR.	DATE

RIVERSIDE COUNTY FLOOD CONTROL
AND
WATER CONSERVATION DISTRICT
RECOMMENDED FOR APPROVAL BY: _____
DATE: _____
APPROVED BY: _____
DATE: _____

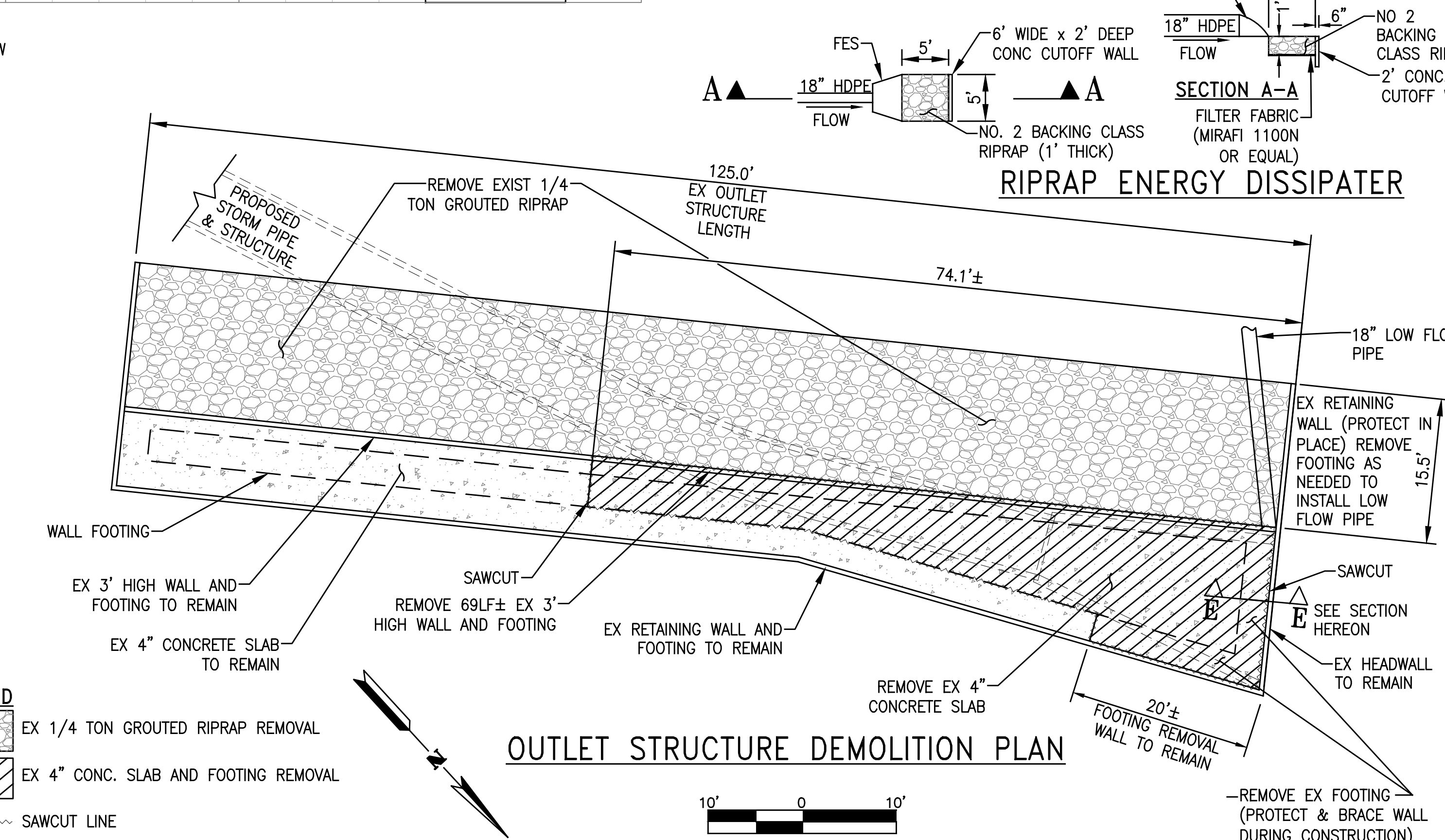
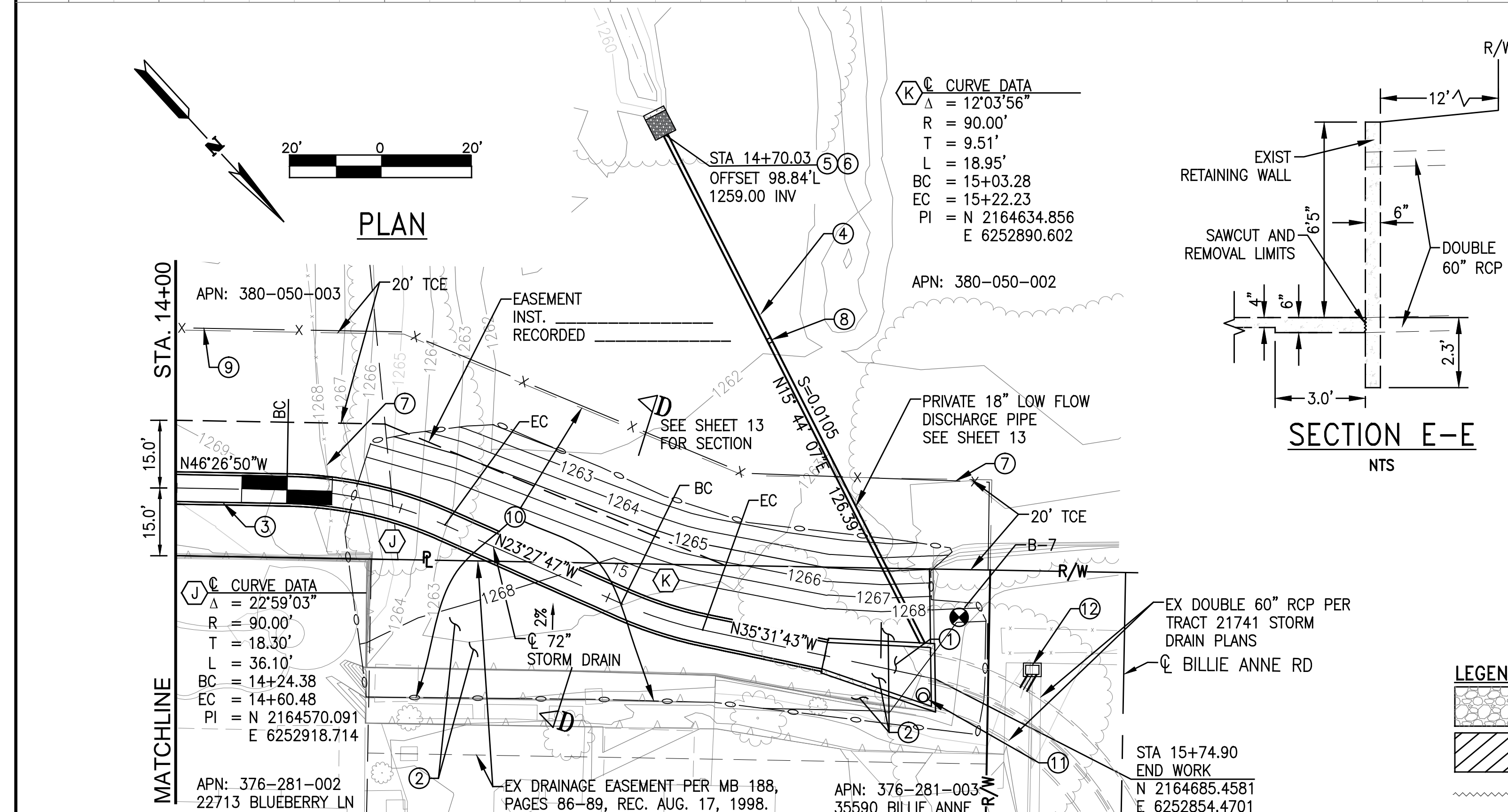
WILDOMAR MDP
LATERAL C-1B STORM DRAIN
STA 10+00.00 TO STA 14+00.00

PROJECT NO.
7-0-00076
DRAWING NO.
7-0533
SHEET NO.
7 OF 15

SUBMITTAL 5 - 100% - FOR REVIEW ONLY 6:\2014\14-016A\DRAWINGS\DESIGN\14-0164-C-SD.DWG 7/17/2015 4:46:38 PM

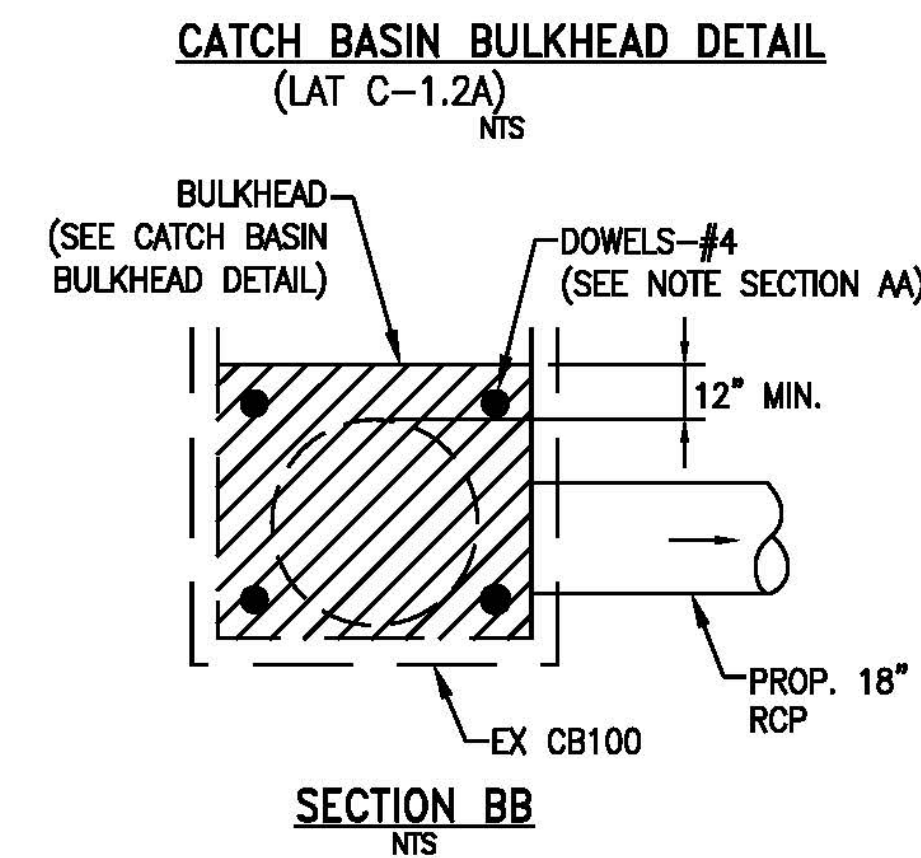
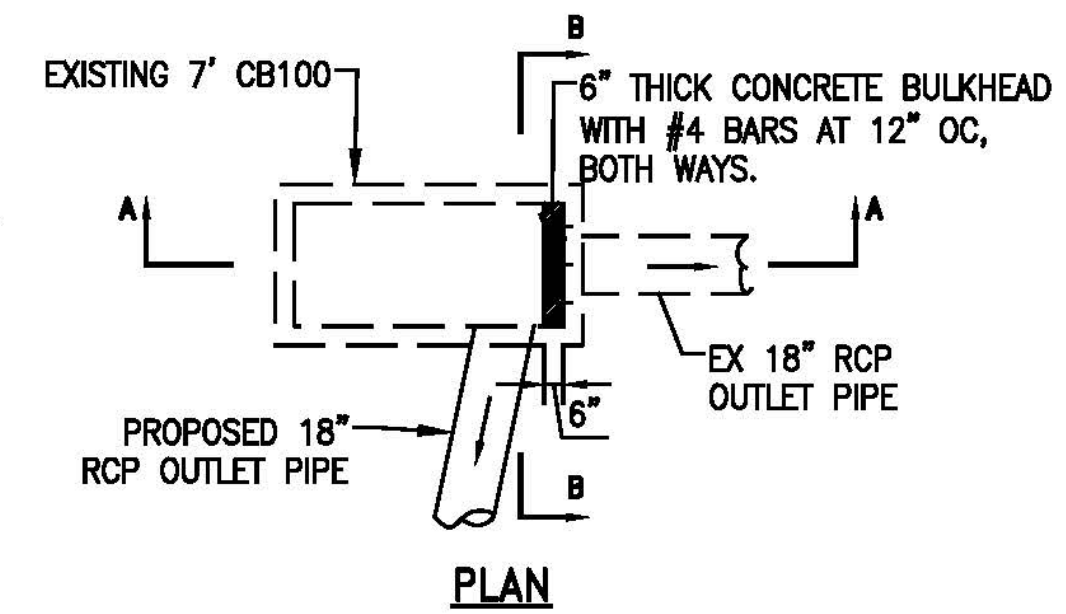
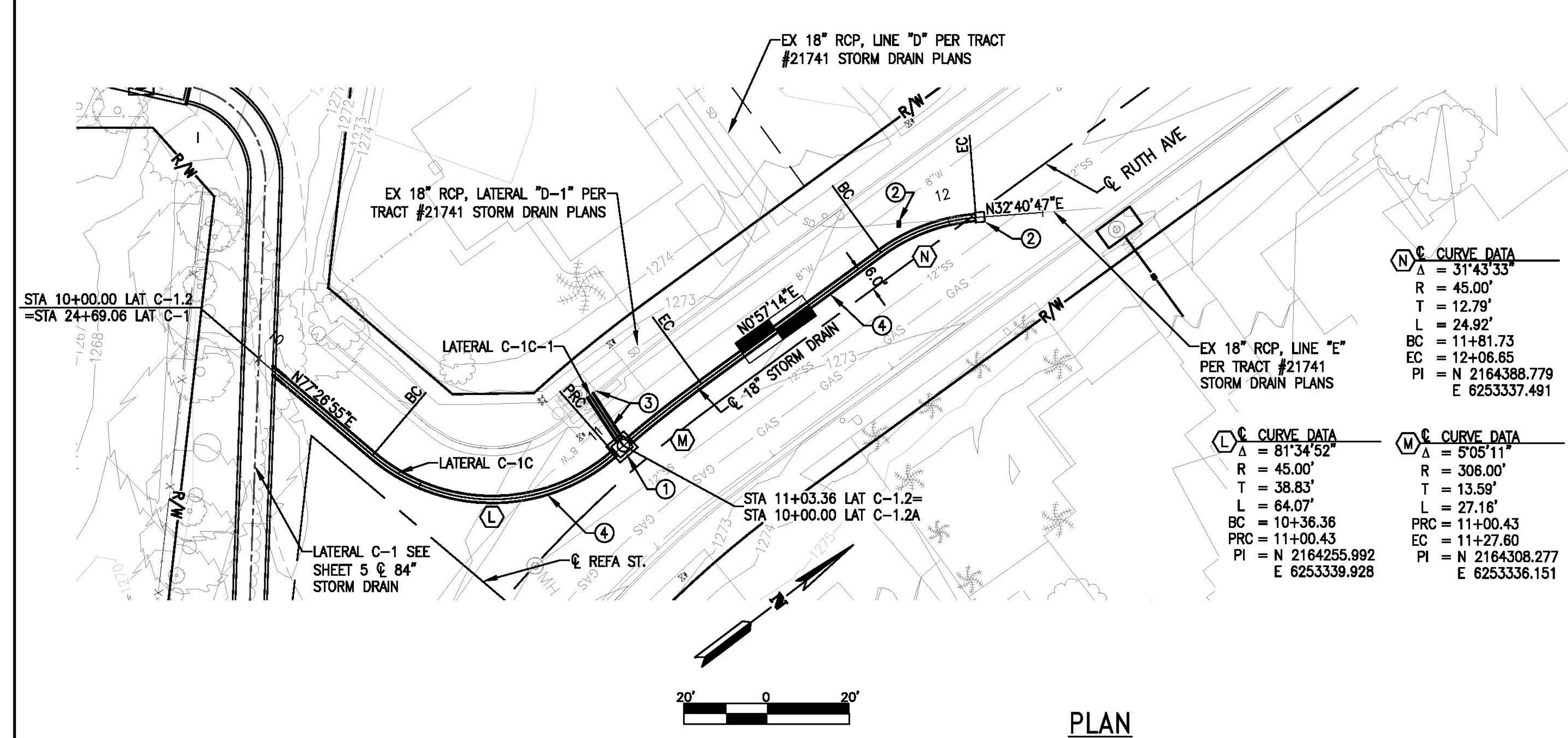
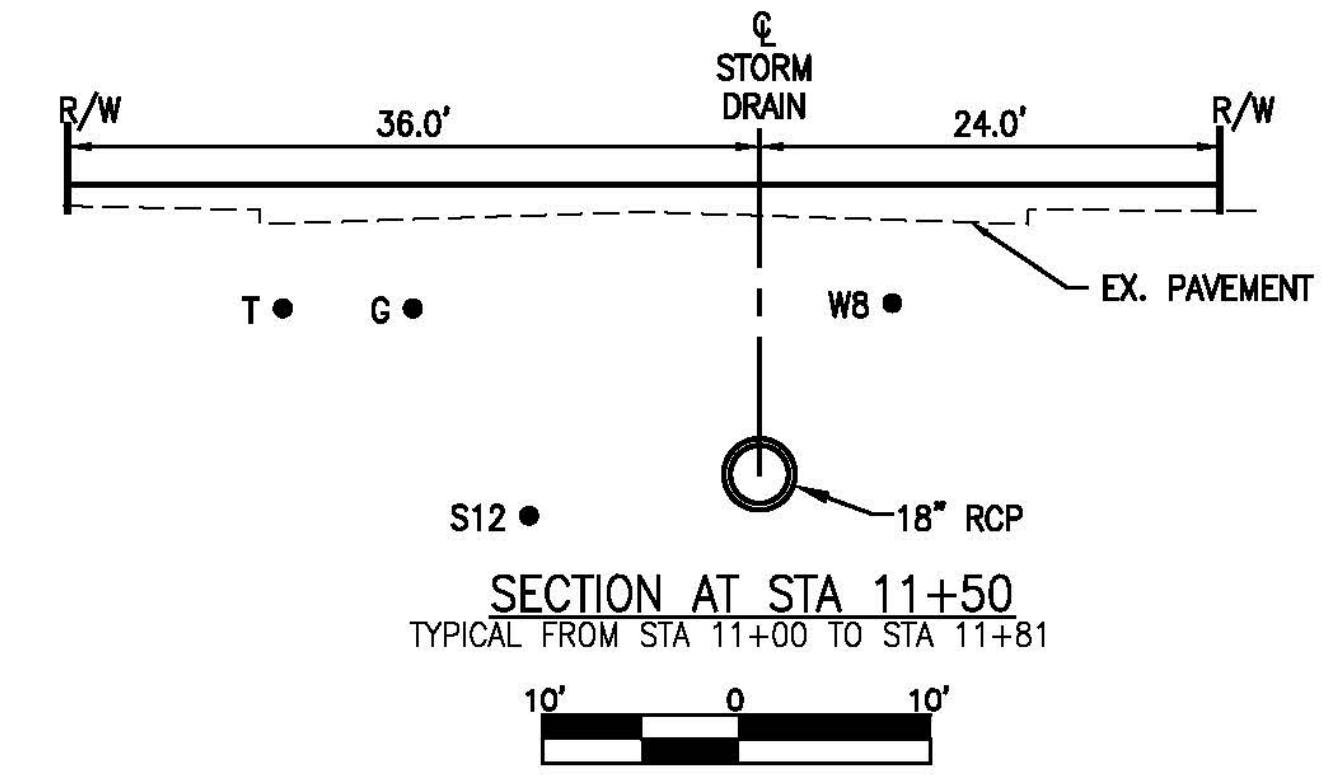


- CONSTRUCTION NOTES: SECTION AT STA 14+24**
- ① CONSTRUCT MODIFIED TRANSITION STRUCTURE NO.1 PER STD TS301 & DETAIL ON SHEET 13.
 - ② REMOVE INTERFERING PORTIONS OF EX OUTLET STRUCTURE PER DETAIL HEREON.
 - ③ CONSTRUCT 72" RCP, D-LOAD PER PROFILE
 - ④ CONSTRUCT 18" HDPE PIPE - ADS N12 OR APPROVED EQUAL
 - ⑤ CONSTRUCT FLARED END SECTION PER CALTRANS STD D94A
 - ⑥ CONSTRUCT RIPRAP ENERGY DISSIPATER PER DETAILS HEREON.
 - ⑦ REMOVE & REPLACE EXISTING FENCE WITHIN TCE LIMITS
 - ⑧ INSTALL 18"x6" 45' REDUCING HDPE WYE CLEANOUT.
 - ⑨ INSTALL TEMPORARY FENCE
 - ⑩ RESTORE SURFACE TO ELEVATIONS SHOWN AND HYDROSEED PER SPECIFICATIONS.
 - ⑪ CONSTRUCT MANHOLE NO. 3 PER STD. MH253.
 - ⑫ REMOVE EXISTING OVERSIDE DRAIN, CONSTRUCT TYPE G1 INLET PER CALTRANS STD RSP D73, H=3', FIELD FIT TO MATCH EXIST GRADE. INSTALL 4' - 18" RCP (CLASS IV) AND CONNECT TO EXISTING 60" RCP WITH JS NO. 4.

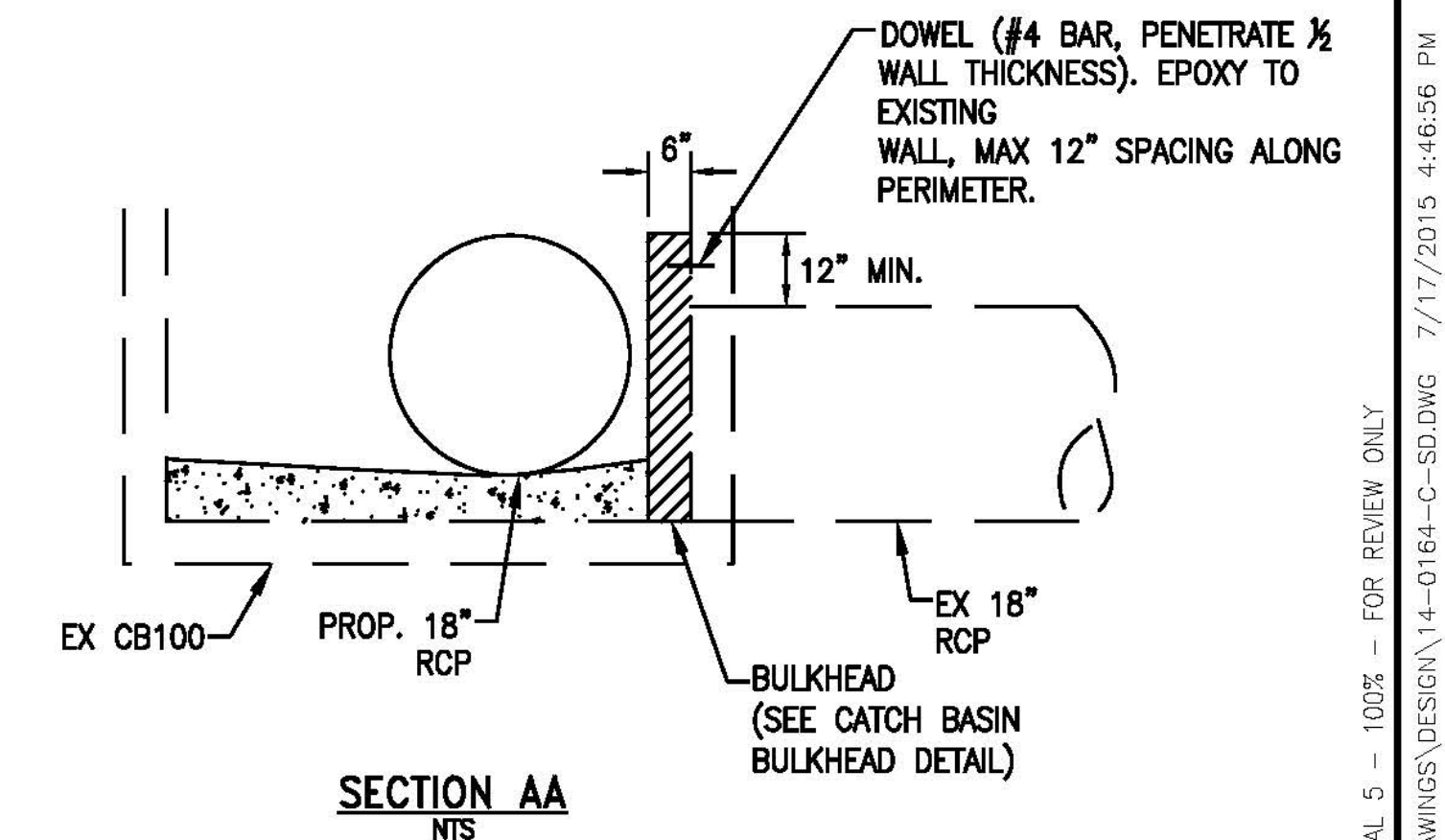


<p>CITY OF WILDOMAR PUBLIC WORKS DEPARTMENT APPROVED BY: _____ CITY ENGINEER</p>	<p>Don't Dig...Until You Call: U.S.A. Toll Free: 1-800-227-2600 for the location of buried utility lines. Don't disrupt vital services. TWO WORKING DAYS BEFORE YOU DIG</p>	<p>ALBERT A. WEBB ASSOCIATES ENGINEERING CONSULTANTS 3788 McCRAY STREET, RIVERSIDE CA. 92506 PH. (951) 686-1070 / FAX (951) 788-1256</p>		<table border="1" style="width: 100%; border-collapse: collapse;"> <tr> <th colspan="2">REVISIONS</th> </tr> <tr> <th>NO.</th> <th>DESCRIPTION</th> </tr> <tr> <td> </td> <td> </td> </tr> <tr> <td> </td> <td> </td> </tr> <tr> <td> </td> <td> </td> </tr> </table>	REVISIONS		NO.	DESCRIPTION							<p>RIVERSIDE COUNTY FLOOD CONTROL AND WATER CONSERVATION DISTRICT</p> <p>RECOMMENDED FOR APPROVAL BY: _____ DATE: _____</p> <p>APPROVED BY: _____ DATE: _____</p>	<p>WILDOMAR MDP LATERAL C-1B STORM DRAIN STA 14+00.0 TO STA 15+74.90</p>	<p>PROJECT NO. 7-0-00076</p> <p>DRAWING NO. 7-0533</p> <p>SHEET NO. 8 OF 15</p>
REVISIONS																	
NO.	DESCRIPTION																

SUBMITTAL 5 - 100% - FOR REVIEW ONLY 7/17/2015 4:46:48 PM G:\2014\14-0164\DRAWINGS\DESIGN\14-0164-C-SD.DWG



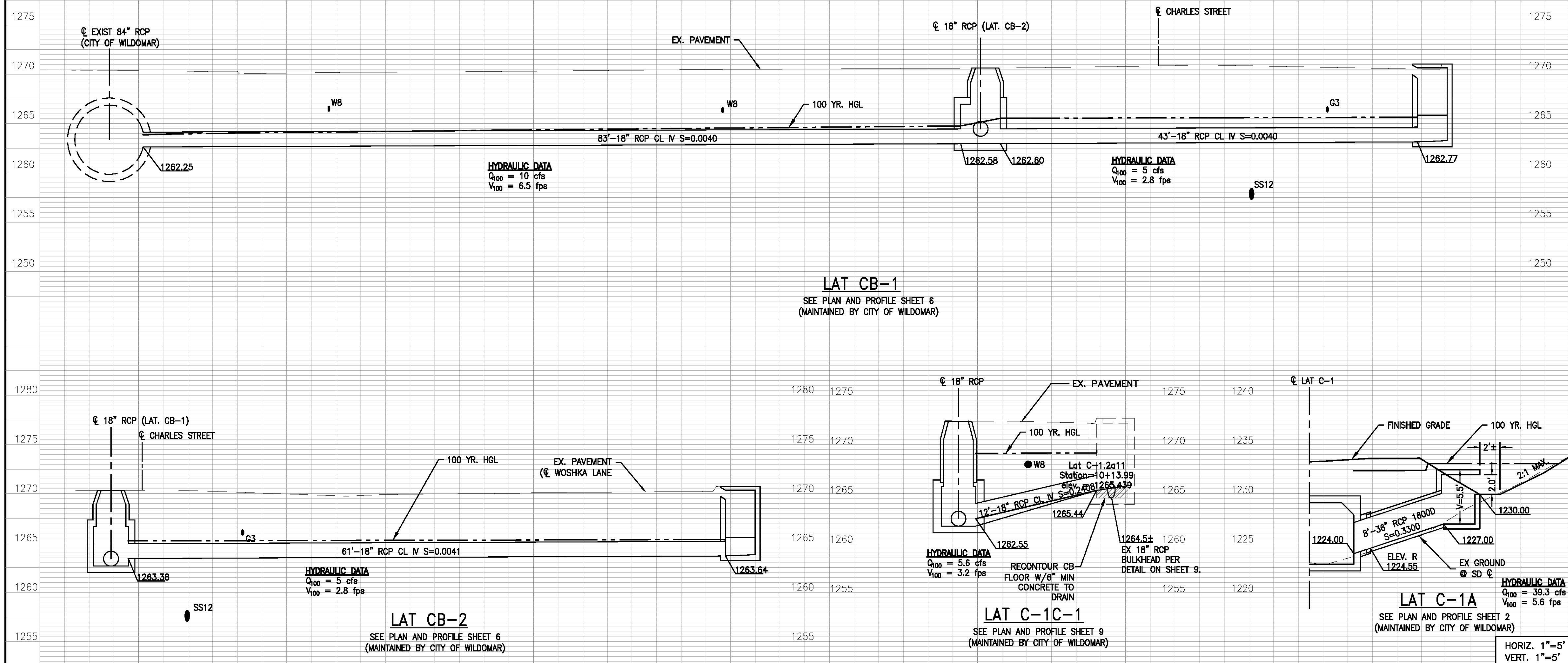
- CONSTRUCTION NOTES:**
- CONSTRUCT MANHOLE NO.1 PER STD. MH251
 - REMOVE INTERFERING PORTIONS OF EX 18" RCP (15LF±). JOIN EX 18" RCP WITH CONCRETE COLLAR PER STD M803. BULKHEAD EX 18" RCP PER STD M816. PLUG DOWNSTREAM END OF LINE "D" WITH 2 SACK SLURRY AS DIRECTED BY ENGINEER
 - INSTALL 18" RCP (CLASS IV). CONNECT TO EX CATCH BASIN PER STD JS228. BULKHEAD EX 18" RCP OUTLET PER DETAIL HEREON. RECONTOUR CATCH BASIN FLOOR WITH PCC TO DRAIN TO NEW OUTLET. SEE SHEET 10 FOR LATERAL PROFILE.
 - CONSTRUCT 18" RCP, CLASS IV



CITY OF WILDOMAR PUBLIC WORKS DEPARTMENT <small>APPROVED BY:</small>	Don't Dig...Until You Call: U.S.A. Toll Free: 1-800-227-2600 <small>for the location of buried utility lines. Don't disrupt vital services.</small> <small>TWO WORKING DAYS BEFORE YOU DIG</small>	ALBERT A. WEBB ASSOCIATES ENGINEERING CONSULTANTS 3788 MCCRAY STREET, RIVERSIDE CA. 92506 PH. (951) 686-1070 / FAX (951) 788-1256		REVISIONS <table border="1" style="width:100%; border-collapse: collapse;"> <thead> <tr> <th>NO.</th> <th>DESCRIPTION</th> <th>DATE</th> </tr> </thead> <tbody> <tr><td> </td><td> </td><td> </td></tr> <tr><td> </td><td> </td><td> </td></tr> <tr><td> </td><td> </td><td> </td></tr> <tr><td> </td><td> </td><td> </td></tr> </tbody> </table>	NO.	DESCRIPTION	DATE													WILDOMAR MDP LATERAL C-1C & C-1C-1 PLAN & PROFILE	PROJECT NO. 7-0-00076 DRAWING NO. 7-0533 SHEET NO. 9 OF 15
NO.	DESCRIPTION	DATE																			

SUBMITTAL 5 - 100% - FOR REVIEW ONLY
G:\2014\14-0164\DRAWINGS\DESIGN\14-0164-C-SD.DWG 7/17/2015 4:46:56 PM

NOTE: CONTRACTOR SHALL PROTECT IN PLACE ALL UTILITIES CROSSING OR PARALLELING THE STORM DRAIN UNLESS OTHERWISE NOTED.



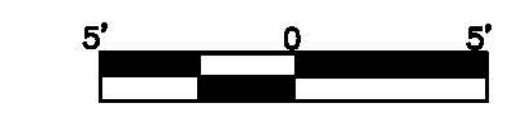
LAT CB-1
SEE PLAN AND PROFILE SHEET 6
(MAINTAINED BY CITY OF WILDOMAR)

LAT CB-2
SEE PLAN AND PROFILE SHEET 6
(MAINTAINED BY CITY OF WILDOMAR)

LAT C-1C-1
SEE PLAN AND PROFILE SHEET 9
(MAINTAINED BY CITY OF WILDOMAR)

LAT C-1A
SEE PLAN AND PROFILE SHEET 2
(MAINTAINED BY CITY OF WILDOMAR)

HORIZ. 1"=5'
VERT. 1"=5'



CITY OF WILDOMAR
PUBLIC WORKS DEPARTMENT
APPROVED BY: _____
CITY ENGINEER DATE:

Don't Dig...Until You Call:
U.S.A. Toll Free: 1-800-227-2600
for the location of buried utility lines.
Don't disrupt vital services.
TWO WORKING DAYS BEFORE YOU DIG

ALBERT A. **WEBB** ASSOCIATES
ENGINEERING CONSULTANTS
3788 McCRAY STREET, RIVERSIDE CA. 92506
PH. (951) 688-1070 / FAX (951) 788-1258

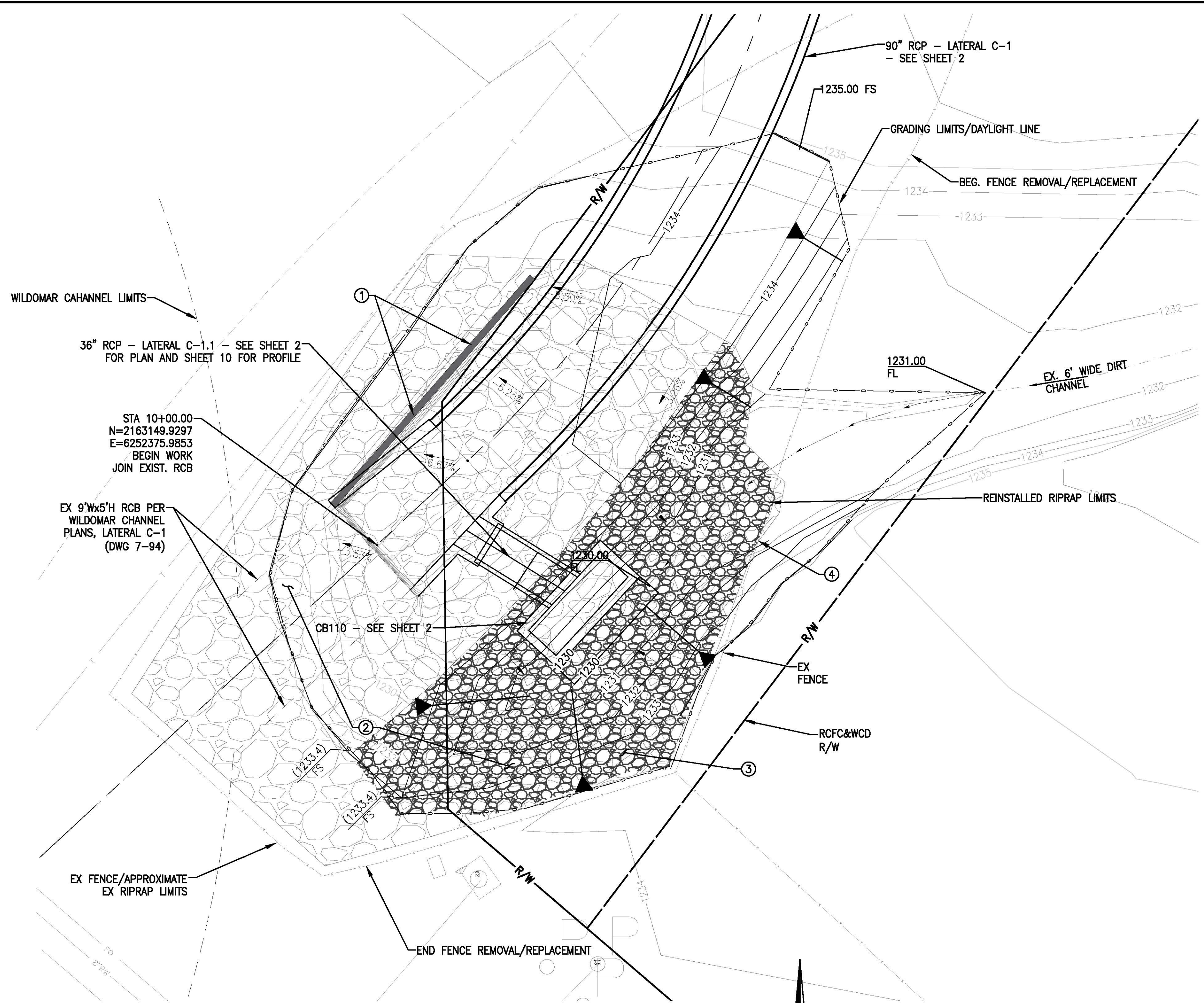


REF.	DESCRIPTION	APPR.	DATE

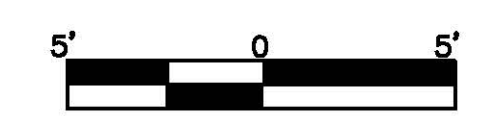
WILDOMAR MDP
CONNECTOR PIPES
PROFILE

PROJECT NO. 7-0-00076
DRAWING NO. 7-0533
SHEET NO. 10 OF 15

SUBMITTAL 5 - 100% - FOR REVIEW ONLY 7/17/2015 4:46:57 PM G:\2014\14-0164\DRAWINGS\DESIGN\14-0164-C-SD.DWG



INLET GRADING PLAN



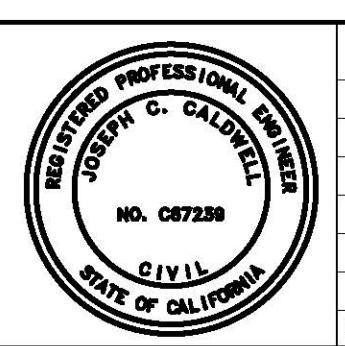
CONSTRUCTION NOTES:

- ① REMOVE EX WINGWALL
- ② REMOVE AND SALVAGE EX RIPRAP WITHIN GRADING LIMITS
- ③ REINSTALL RIPRAP AROUND INLET. MIN RIPRAP DEPTH = 2'.
- ④ REMOVE, SALVAGE AND REPLACE INTERFERING PORTIONS OF EX FENCE AS SHOWN, OR DIRECTED BY ENGINEER.

CITY OF WILDOMAR
PUBLIC WORKS DEPARTMENT
APPROVED BY: _____
CITY ENGINEER DATE:

Don't Dig...Until You Call:
U.S.A. Toll Free:
1-800-227-2600
for the location
of buried
utility lines.
Don't disrupt
vital services.
TWO WORKING DAYS BEFORE YOU DIG

ALBERT A.
WEBB
ASSOCIATES
ENGINEERING CONSULTANTS
3788 McCRAY STREET, RIVERSIDE CA, 92506
PH. (951) 886-1070 / FAX (951) 788-1256

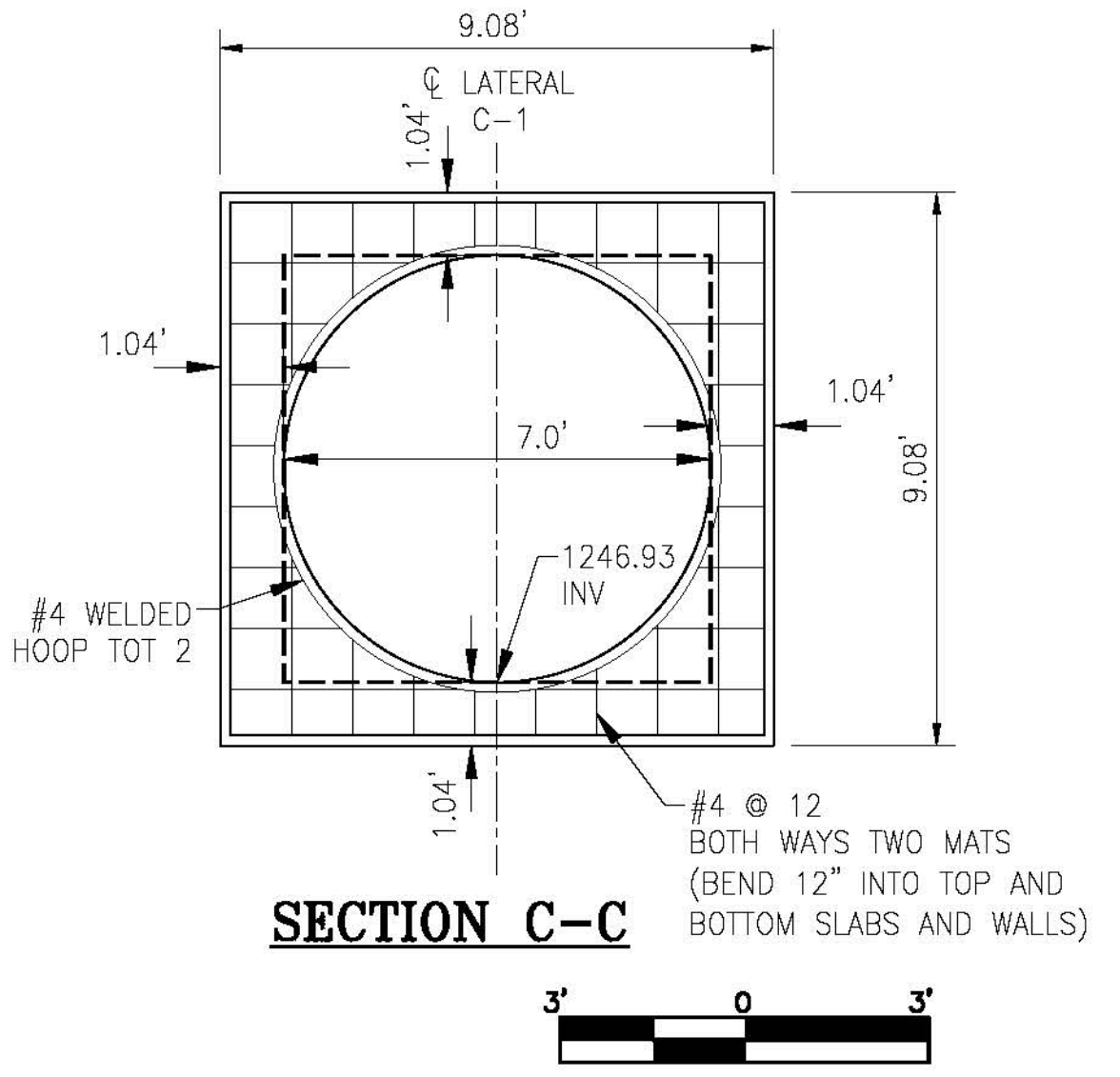
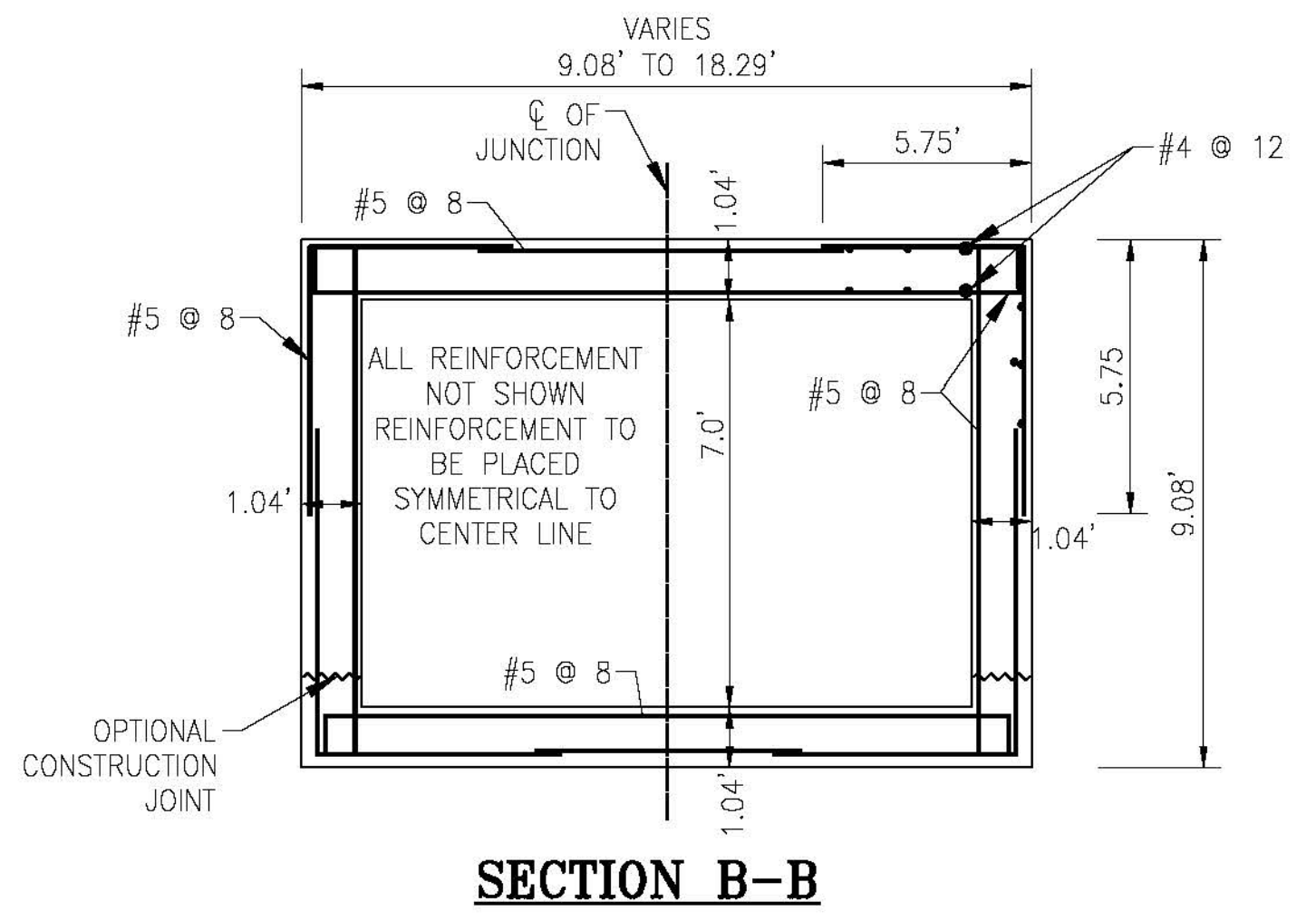
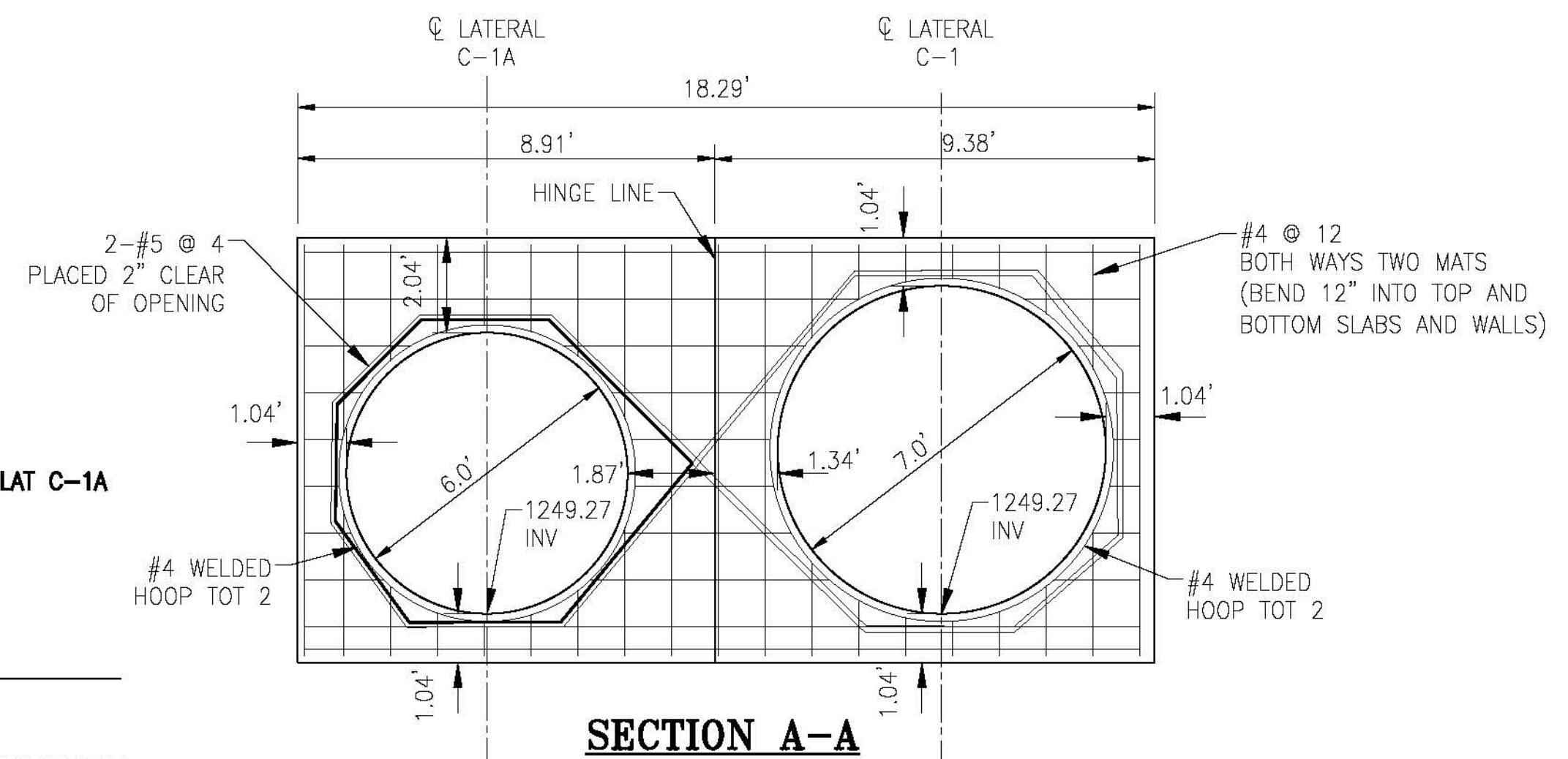
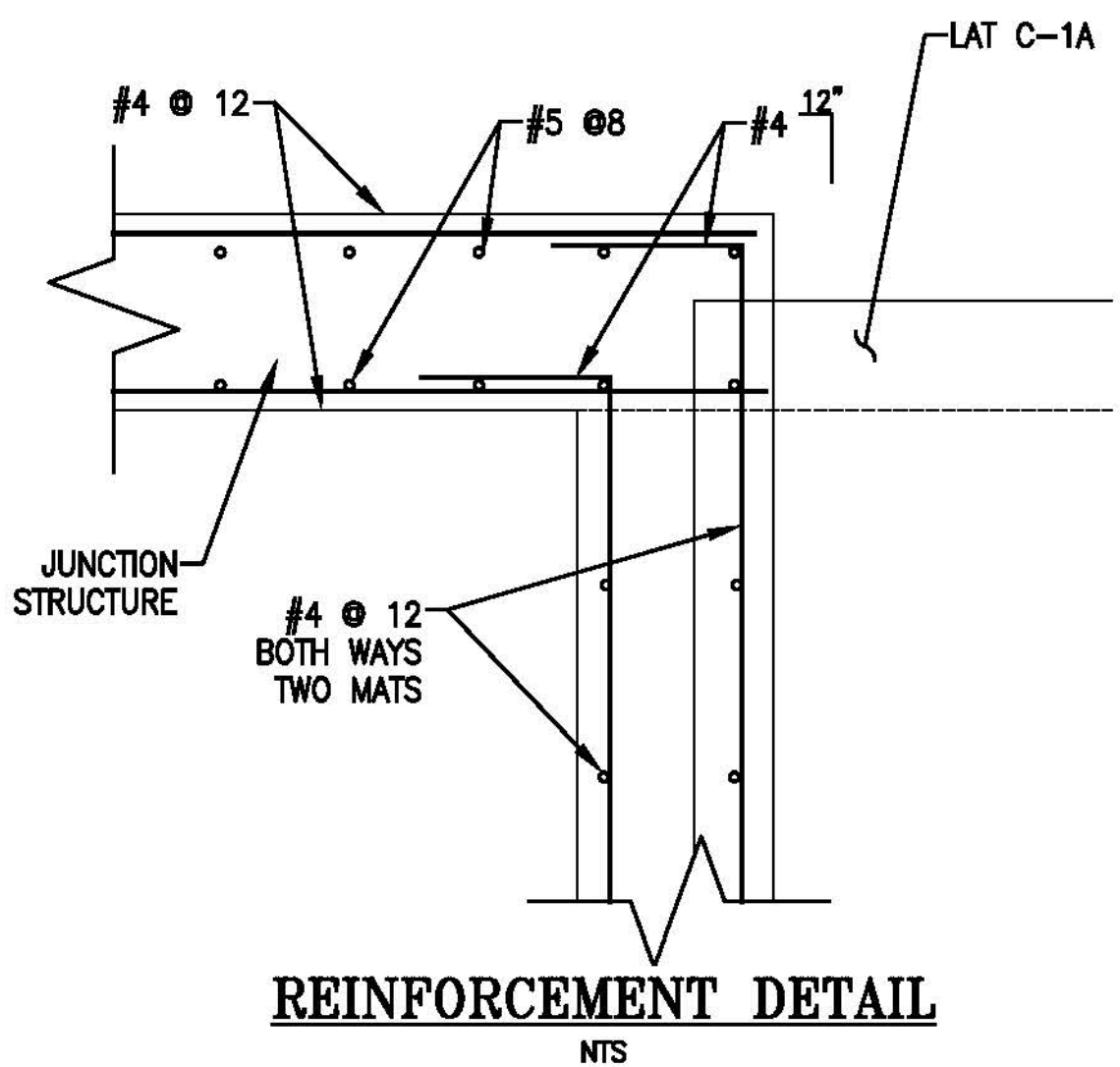
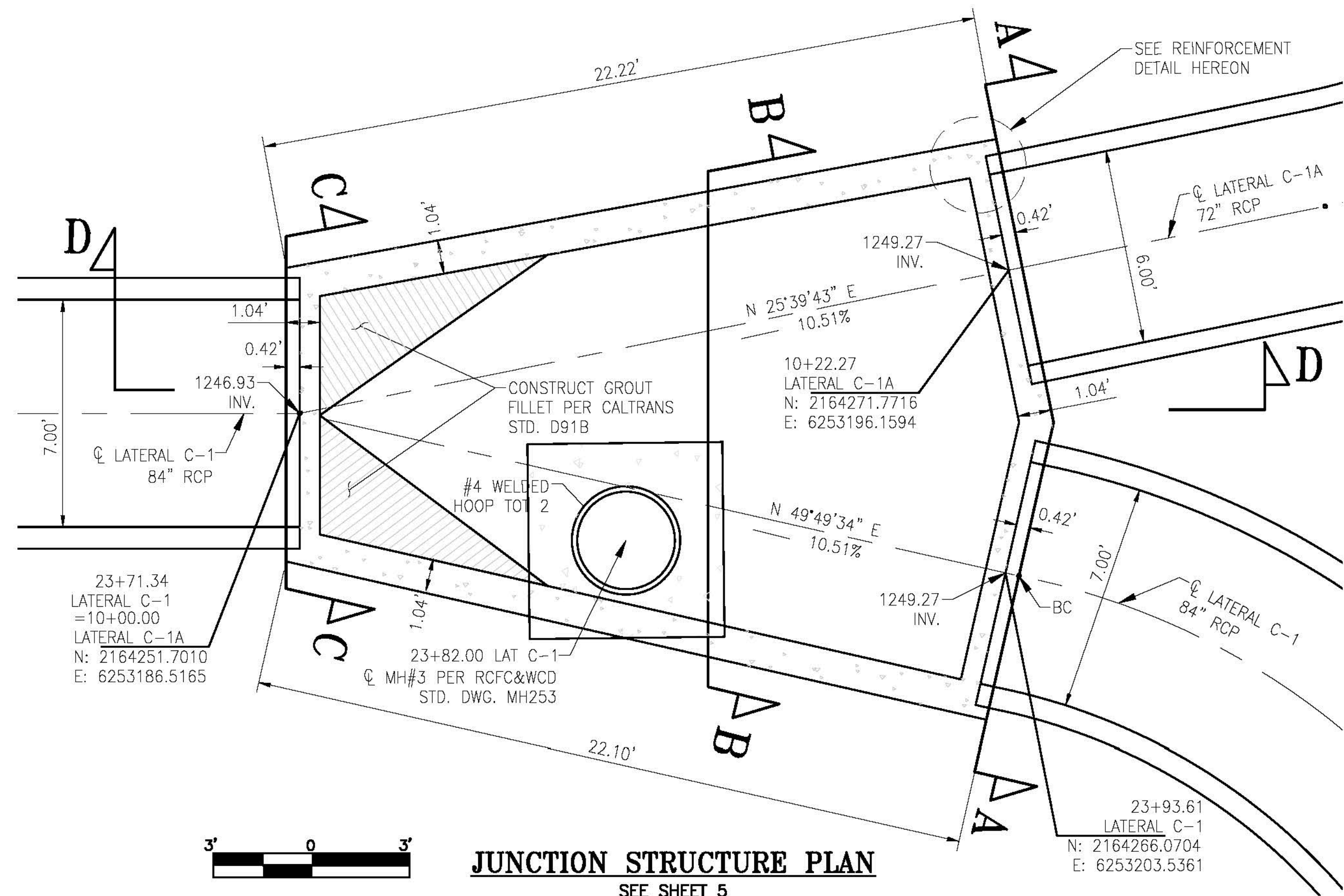


ENGINEER, RCE DATE:

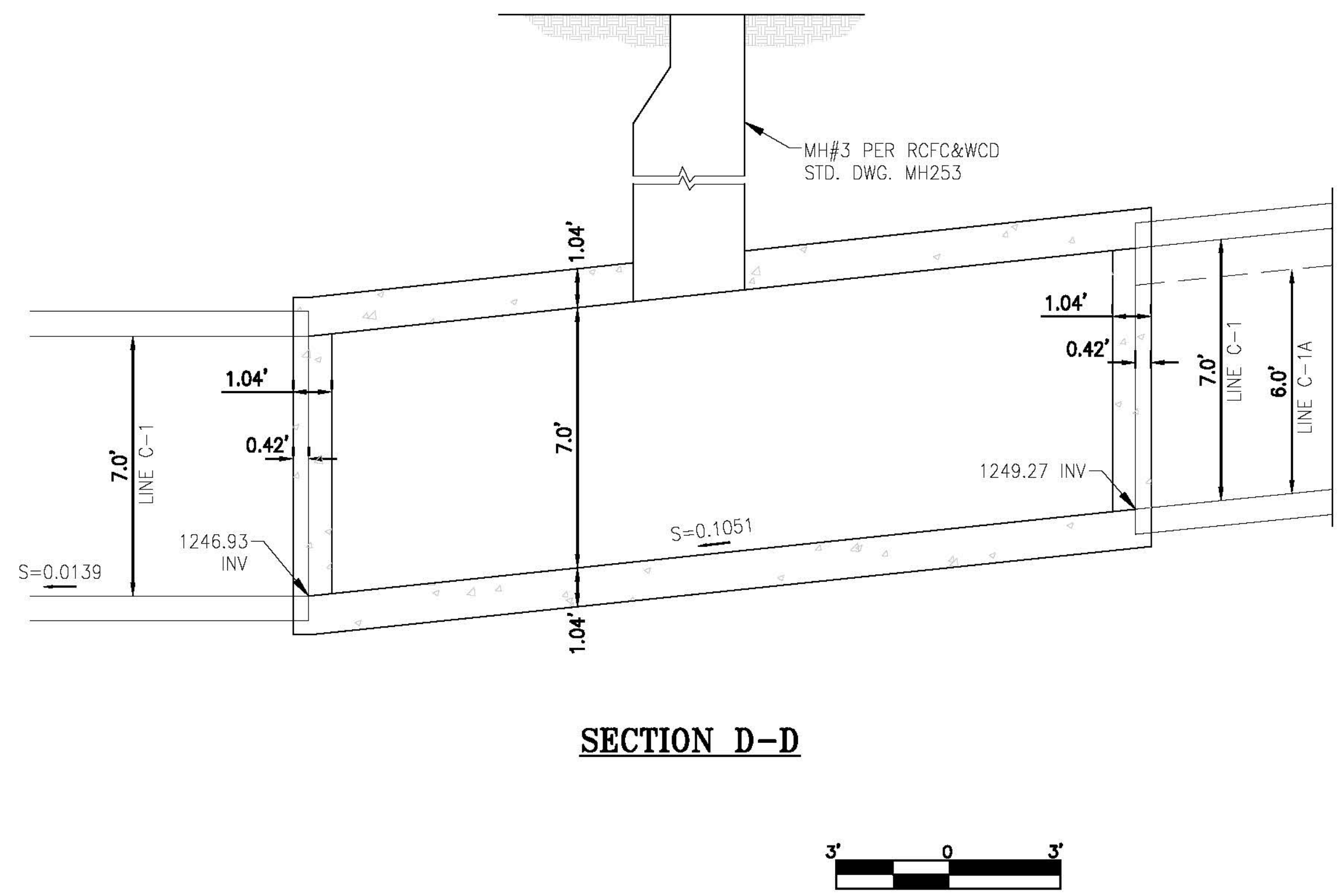
REF.	DESCRIPTION	APPR.	DATE

WILDOMAR MDP
LATERAL C-1.1 STORM DRAIN
INLET GRADING DETAILS

PROJECT NO.
7-0-00076
DRAWING NO.
7-0533
SHEET NO.
11 of 15



NOTE:
CONCRETE
F'C = 4,000 PSI
FY = 60,000 PSI



CITY OF WILDOMAR
PUBLIC WORKS DEPARTMENT
APPROVED BY: _____
CITY ENGINEER DATE: _____

Don't Dig...Until You Call:
U.S.A. Toll Free: 1-800-227-2600
for the location of buried utility lines.
Don't disrupt vital services.
TWO WORKING DAYS BEFORE YOU DIG

ALBERT A. WEBB ASSOCIATES
ENGINEERING CONSULTANTS
3788 McCRAY STREET, RIVERSIDE CA. 92506
PH. (951) 686-1070 / FAX (951) 788-1256

REGISTERED PROFESSIONAL ENGINEER
ALBERT A. WEBB
NO. 087238
CIVIL
STATE OF CALIFORNIA

ENGINEER, RCE DATE: _____

REF.	DESCRIPTION	APPR.	DATE

REVISIONS

RIVERSIDE COUNTY FLOOD CONTROL AND WATER CONSERVATION DISTRICT

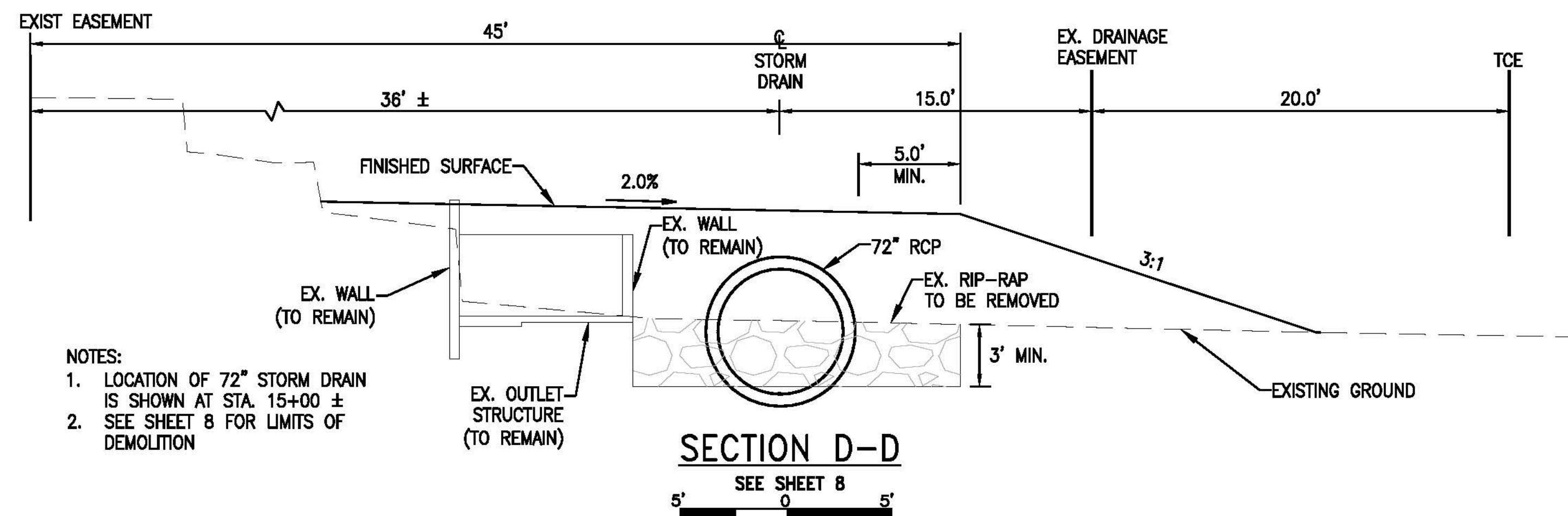
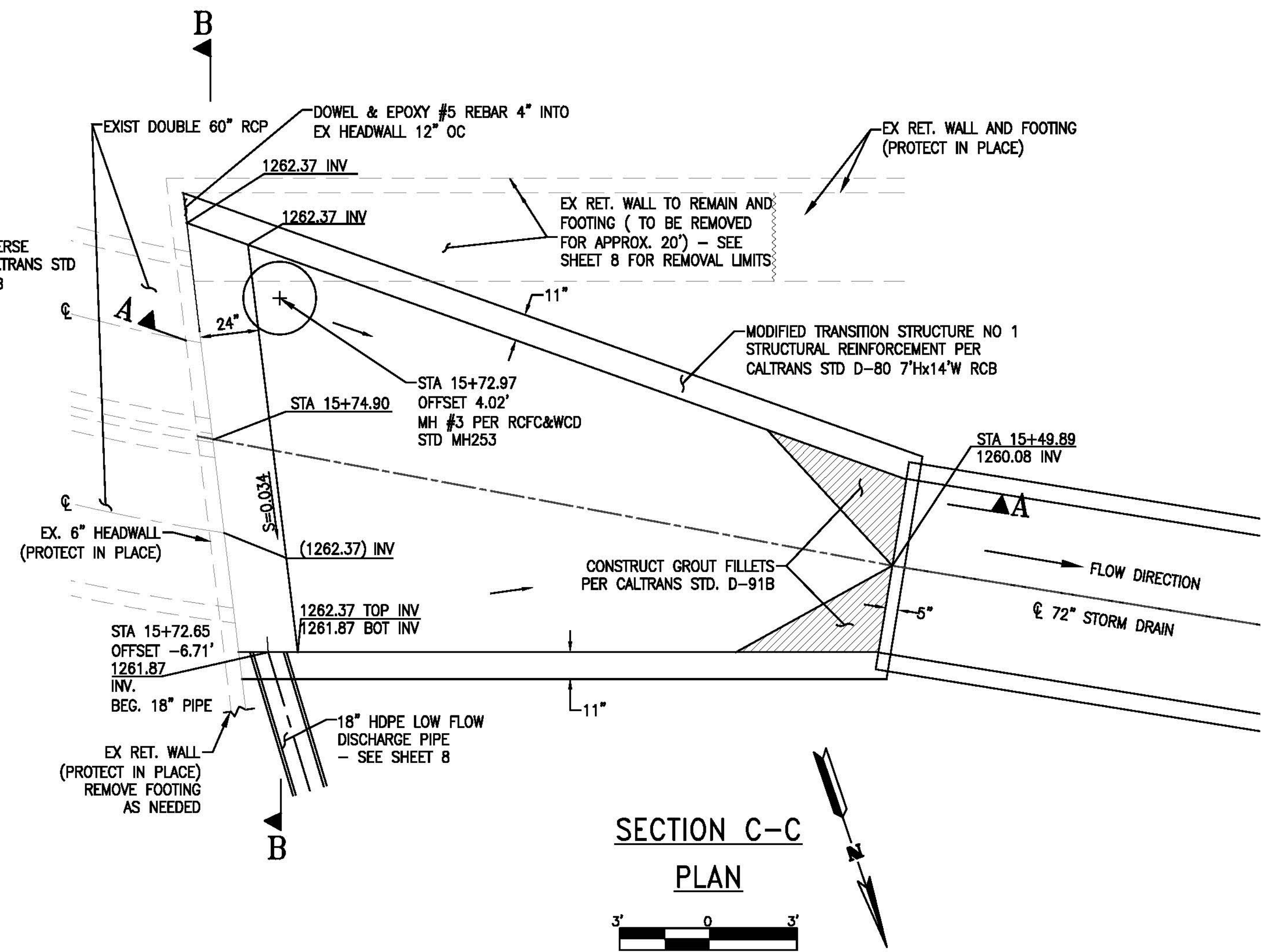
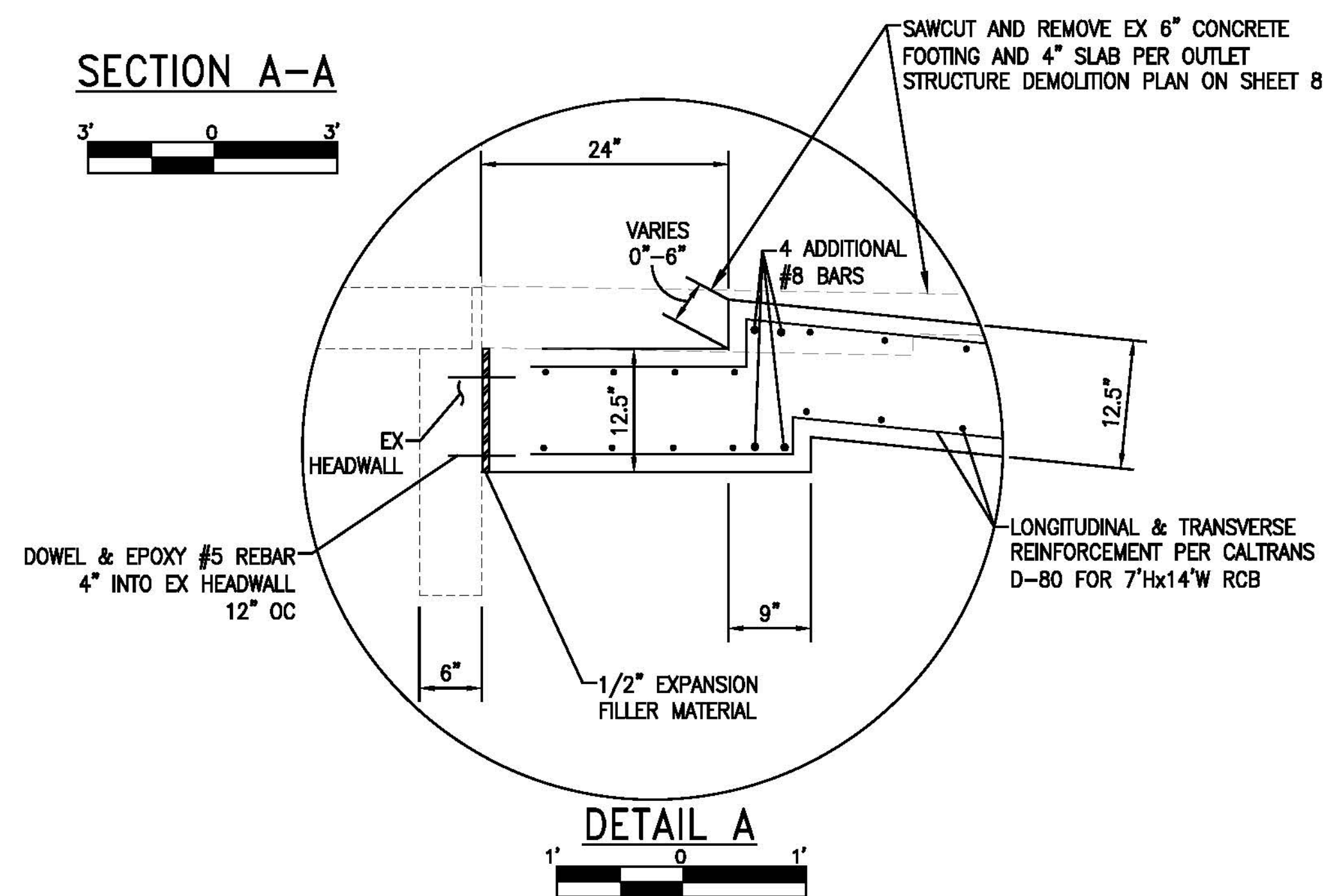
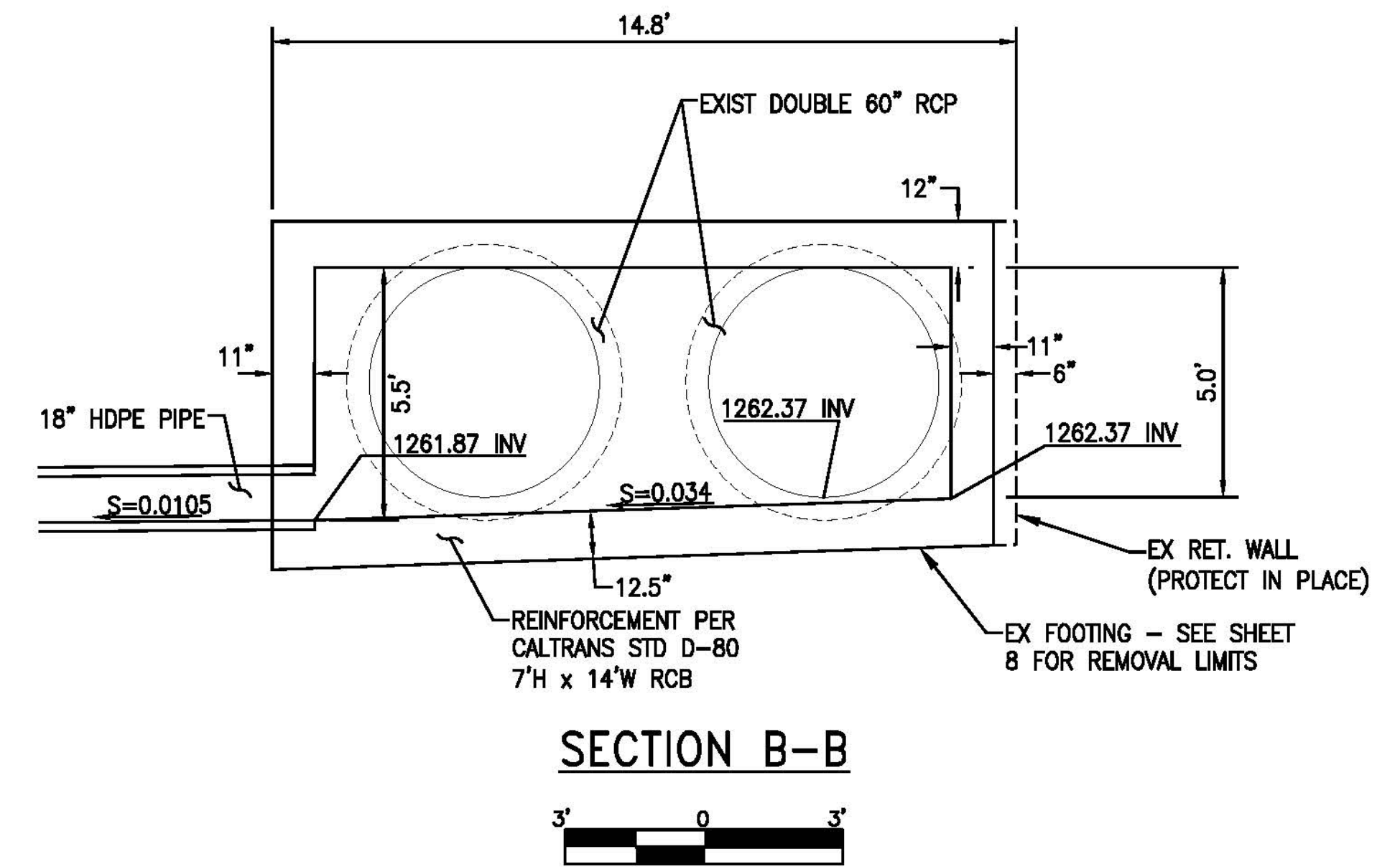
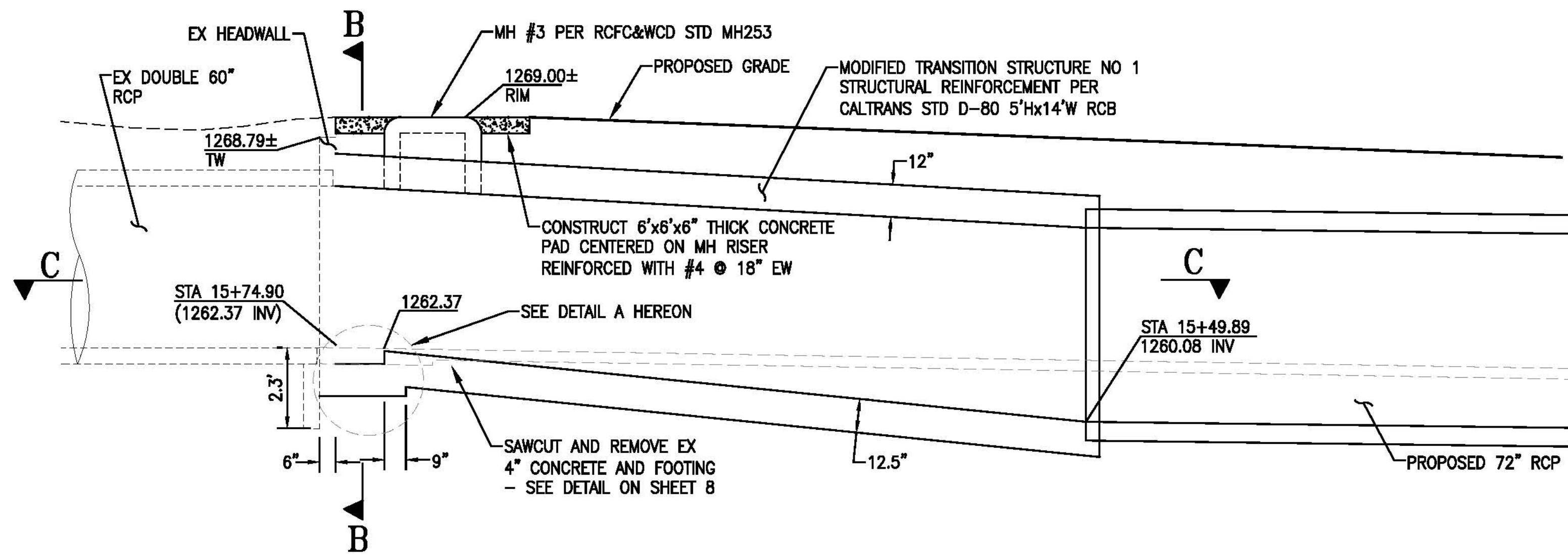
RECOMMENDED FOR APPROVAL BY: _____ DATE: _____

APPROVED BY: _____ DATE: _____

WILDOMAR MDP
LATERAL C-1 STORM DRAIN
JUNCTION STRUCTURE DETAILS

PROJECT NO. 7-0-00076
DRAWING NO. 7-0533
SHEET NO. 12 OF 15

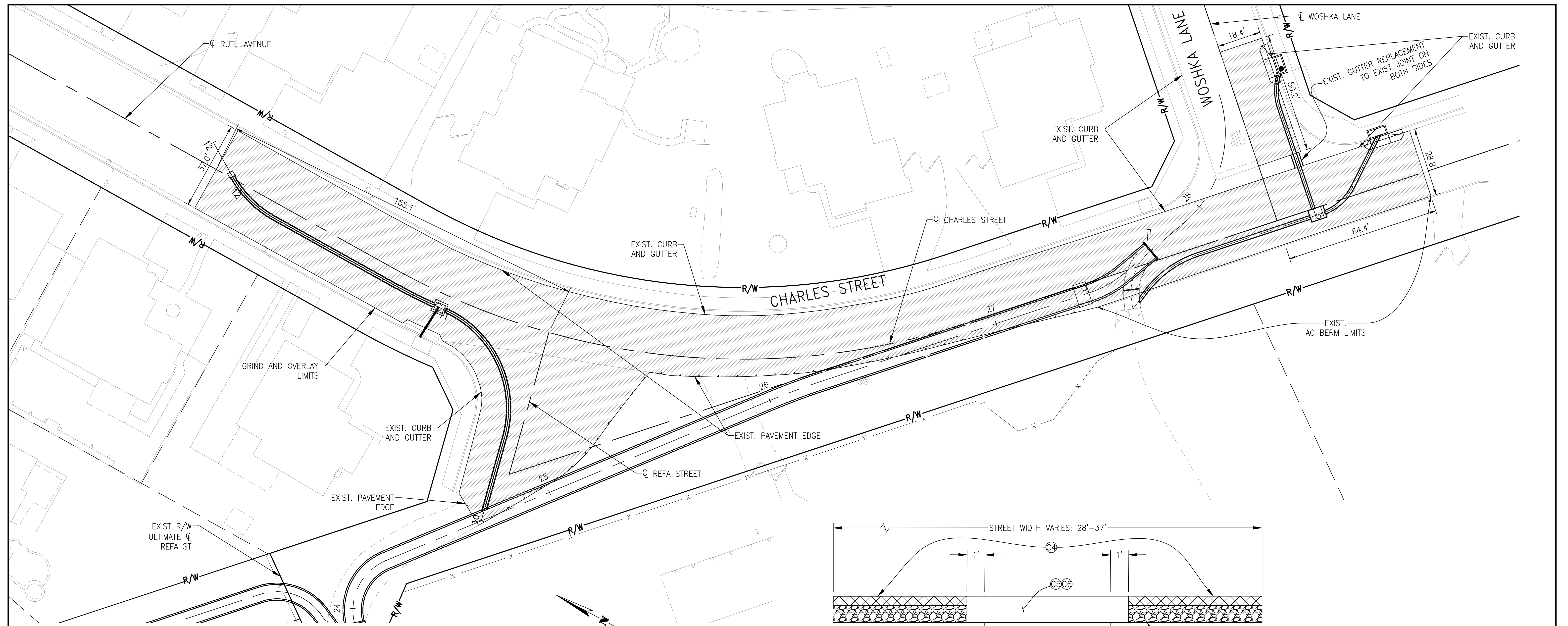
SUBMITTAL 5 - 100% - FOR REVIEW ONLY G:\2014\14-0164\DRAWINGS\DESIGN\14-0164-C-5D.DWG 7/17/2015 4:47:11 PM



- NOTES:**
1. LOCATION OF 72" STORM DRAIN IS SHOWN AT STA. 15+00 ±
 2. SEE SHEET 8 FOR LIMITS OF DEMOLITION

CITY OF WILDOMAR PUBLIC WORKS DEPARTMENT APPROVED BY: _____ CITY ENGINEER _____ DATE: _____	Don't Dig...Until You Call: U.S.A. Toll Free: 1-800-227-2600 for the location of buried utility lines. Don't disrupt vital services. TWO WORKING DAYS BEFORE YOU DIG	ALBERT A. WEBB ASSOCIATES ENGINEERING CONSULTANTS 3788 McCRAV STREET, RIVERSIDE CA. 92506 PH. (951) 886-1070 / FAX (951) 788-1256		REVISIONS	RIVERSIDE COUNTY FLOOD CONTROL AND WATER CONSERVATION DISTRICT	WILDOMAR MDP OUTLET STRUCTURE	PROJECT NO. 7-0-00076
				REF. _____ DESCRIPTION _____ APPR. DATE _____	RECOMMENDED FOR APPROVAL BY: _____ APPROVED BY: _____ DATE: _____ DATE: _____	MODIFIED TS#1 DETAIL	DRAWING NO. 7-0533 SHEET NO. 13 OF 15

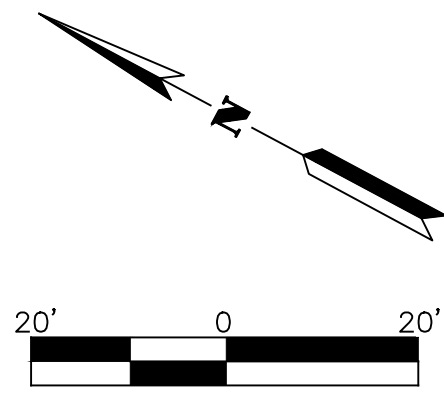
SUBMITTAL 5 - 100% - FOR REVIEW ONLY 6:\2014\14-0164\DRAWINGS\DESIGN\14-0164-C-SD.DWG 7/17/2015 4:47:20 PM



NOTE: CONTRACTOR SHALL PROTECT IN PLACE ALL UTILITIES UNLESS OTHERWISE NOTED.

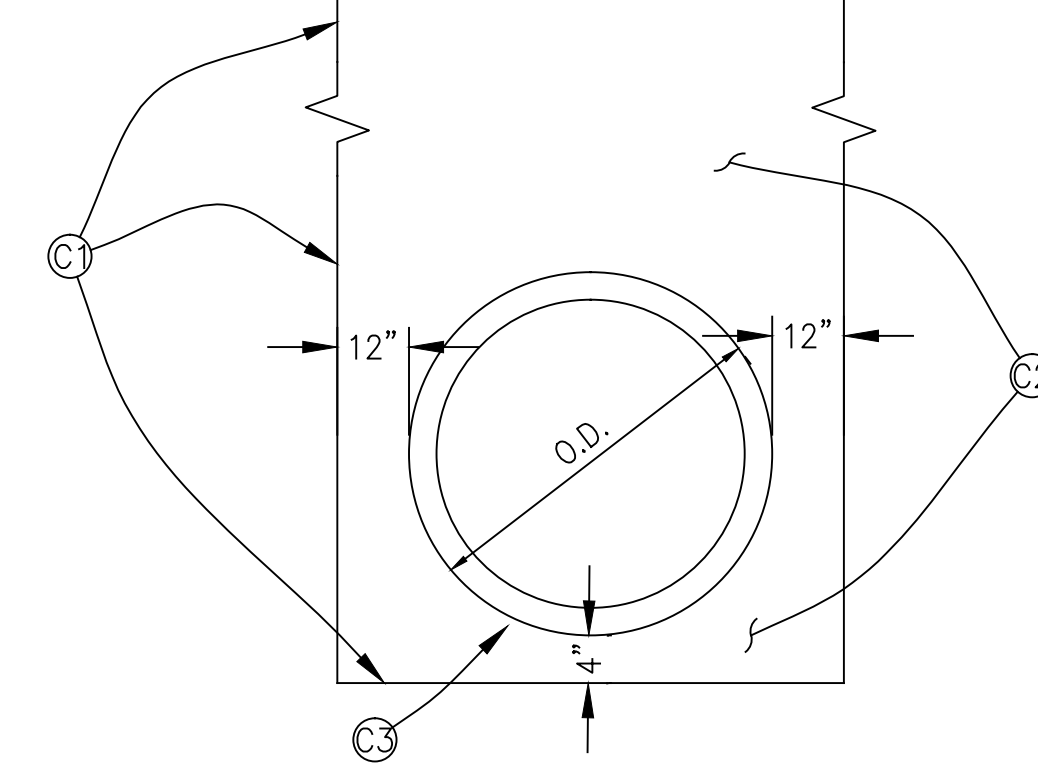
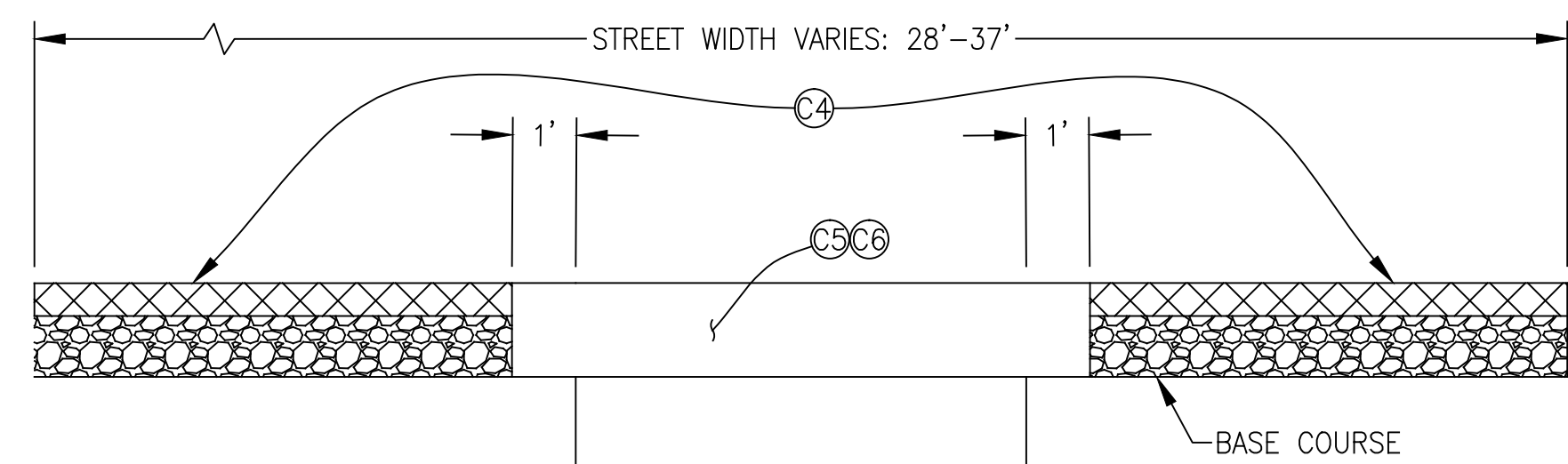
NOTES

1. CONCRETE IMPROVEMENTS (INCLUSIVE OF, BUT NOT LIMITED TO, CROSS GUTTERS, CURBS, GUTTERS, SIDEWALKS, DRIVEWAYS, CURB RAMPS, ETC.) THE ENGINEER HAS APPROVED FOR REMOVAL IN PURSUIT OF THE WORK SHALL BE REPLACED IN ACCORDANCE WITH APPLICABLE CITY OF WILDOMAR STANDARDS TO THE SATISFACTION OF THE ENGINEER AND CITY, AND SHALL BE CONSIDERED FOR PAYMENT UNDER THE CONTRACT ITEM OF REPLACEMENT OF CURB & GUTTER, DRIVEWAY, AND SIDEWALK. DAMAGED OR DESTROYED CONCRETE IMPROVEMENTS NOT AUTHORIZED FOR REMOVAL BY THE ENGINEER SHALL BE REPLACED IN ACCORDANCE WITH APPLICABLE CITY OF WILDOMAR STANDARDS TO THE SATISFACTION OF THE ENGINEER AND CITY, AND SHALL NOT BE MEASURED FOR PAYMENT.
2. REPLACE ALL DISTURBED STRIPING, YELLOW CENTER LINE, WHITE EDGE LINES, AND REFLECTIVE PAVEMENT IN KIND, OR AS DIRECTED BY CITY ENGINEER.
3. ALL SIGNING, STRIPING, AND PAVEMENT MARKINGS SHALL BE IN COMPLIANCE WITH SECTION 84 OF THE CALTRANS STANDARD SPECIFICATIONS (LATEST EDITION) AND ALL OTHER APPLICABLE FEDERAL, STATE, AND LOCAL LAWS.



LEGEND

GRIND AND OVERLAY (1.5" MIN.) LIMITS



DETAIL NOTES

- C1 EXCAVATION LIMITS.
- C2 BEDDING PER RCFC&WCD STD DWG M815
- C3 SHAPE BEDDING TO FIT CURVATURE AND GRADE OF PIPE.
- C4 AC REPLACEMENT, 1.5" GRIND AND OVERLAY
- C5 STRUCTURAL SECTION - 4"AC/10"AB
- C6 IN NON-PAVED AREAS FROM STA. 10+50 TO STA. 25+00 RESTORE ENTIRE R/W SURFACE TO ITS EXISTING SURFACE MATERIAL AND CONDITION OR BETTER (EARTH, GRAVEL, ETC.)

RCP BEDDING AND PAVEMENT REPLACEMENT
FOR CONSTRUCTION IN EXISTING PAVED AREAS - ALL OTHER AREAS USE RCFC&WCD STD M815
NTS

CITY OF WILDOMAR
PUBLIC WORKS DEPARTMENT
APPROVED BY: _____
CITY ENGINEER _____ DATE: _____

Don't Dig...Until You Call:
U.S.A. Toll Free: 1-800-227-2600
for the location of buried utility lines.
Don't disrupt vital services.
TWO WORKING DAYS BEFORE YOU DIG

ALBERT A. **WEBB** ASSOCIATES
ENGINEERING CONSULTANTS
3788 McCRA Y STREET, RIVERSIDE CA. 92506
PH. (951) 686-1070 / FAX (951) 788-1256

REGISTERED PROFESSIONAL ENGINEER
ALBERT A. WEBB
NO. C87239
CIVIL
STATE OF CALIFORNIA
ENGINEER, RCE _____ DATE: _____

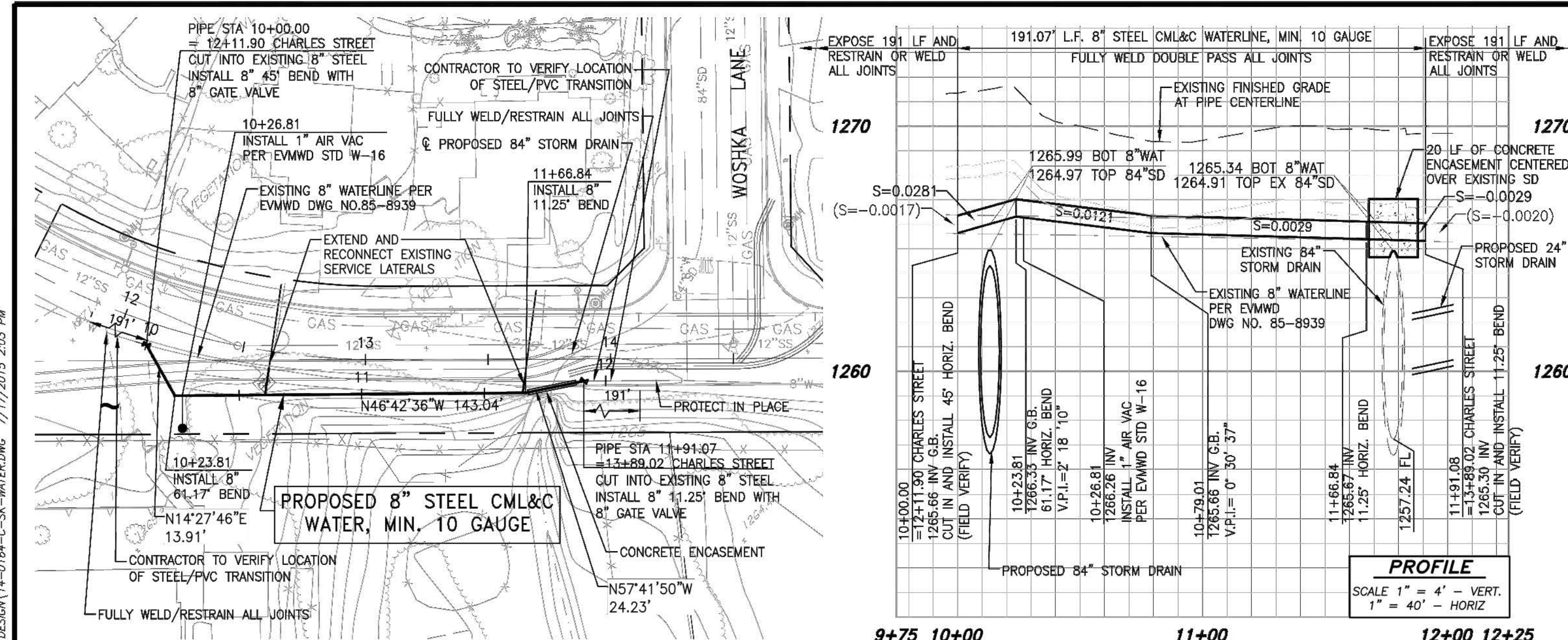
REF.	DESCRIPTION	APPR.	DATE

WILDOMAR MDP
LATERAL C-1 STORM DRAIN
PAVING PLAN

PROJECT NO. 7-0-00076
DRAWING NO. 7-0533
SHEET NO. 14 OF 15

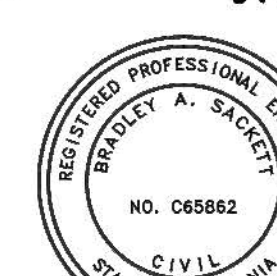
SUBMITTAL 5 - 100% - FOR REVIEW ONLY 7/17/2015 4:48:50 PM G:\2014\14-016A\DRAWINGS\DESIGN\14-0164-C-PP-DWG

NOTE: CONTRACTOR SHALL PROTECT IN PLACE ALL UTILITIES UNLESS OTHERWISE NOTED.



G:\2014\14-0164\DRAWINGS\DESIGN\14-0164-C-SK-WATER.DWG 7/17/2015 2:03 PM

PLAN
CHARLES STREET



ALBERT A. **WEBB** 3788 McCRAY STREET, RIVERSIDE, CA. 92506
ASSOCIATES PH. (951) 686-1070 FAX (951) 788-1256

NOTE: CONTRACTOR TO VERIFY LOCATIONS AND GRADE OF ALL CONNECTIONS

NOTE: CONTRACTOR SHALL CONNECT A TRACER WIRE TO STEEL PIPE AND BRING EXCESS WIRE UP IN EACH VALVE CAN.

REVISIONS		APPROVALS		SCALE		AS SHOWN		DATE	
NO.	DESCRIPTION	APPR'D	DATE	PROJECT ENG.	INITIAL	DESIGNED	ASB	10/14	
						DRAWN	ASB	10/14	
						CHECKED	BAS	10/14	
REFERENCES									

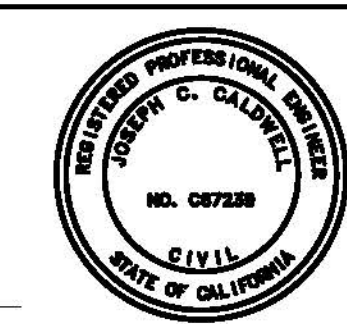
PREPARED BY: BRADLEY A. SACKETT R.C.E. NO. C65862
ELSNORE VALLEY MUNICIPAL WATER DISTRICT
 RIVERSIDE COUNTY, CALIFORNIA
8" PVC WATERLINE RELOCATION
CHARLES STREET
ST STA 12+11.90 TO STA 13+89.02
 APPROVED: CIVIL ENGINEER OF SUBDIVISION DATE SK-75910

EVMWD SK-75910 - 8" WATERLINE RELOCATION
 NOTE - SIGNED DRAWING WILL BE INCLUDED WITH FINAL PLANSET

CITY OF WILDOMAR
PUBLIC WORKS DEPARTMENT
APPROVED BY: _____
CITY ENGINEER DATE: _____

Don't Dig...Until You Call:
U.S.A. Toll Free: **1-800-227-2600**
for the location of buried utility lines.
Don't disrupt vital services.
TWO WORKING DAYS BEFORE YOU DIG

ALBERT A. **WEBB**
ASSOCIATES
ENGINEERING CONSULTANTS
3788 McCRAY STREET, RIVERSIDE CA. 92506
PH. (951) 686-1070 / FAX (951) 788-1256



REF.	DESCRIPTION	APPR.	DATE

WILDOMAR MDP
LATERAL C-1 STORM DRAIN
WATERLINE RELOCATION PLAN

PROJECT NO. 7-0-00076
DRAWING NO. 7-0533
SHEET NO. 15 OF 15

SUBMITTAL 5 - 100% - FOR REVIEW ONLY G:\2014\14-0164\DRAWINGS\DESIGN\14-0164-C-WT-RELOCATION.DWG 7/17/2015 4:48:56 PM