

**CALIFORNIA REGIONAL WATER QUALITY CONTROL BOARD
SAN DIEGO REGION**

2375 Northside Drive, Suite.100, San Diego, CA 92108
Phone (619) 516-1990 • Fax (619) 516-1994
<http://www.waterboards.ca.gov/sandiego/>

Clean Water Act Section 401 Water Quality Certification
and Waste Discharge Requirements
for Discharge of Dredged and/or Fill Materials

**PROJECT: SDG&E 5428 – Permanent Erosion Repair, Gas
TL2010, Mission Trails Project
Certification Number 10C-016
WDID: 9 000002036**

Reg. Meas. ID: 373166 Place ID: 749716 Party ID: 546428 Person ID: 506039
--

**APPLICANT: San Diego Gas & Electric Company
8315 Century Park Court, CP21E
San Diego, CA 92123**

ACTION:

<input type="checkbox"/> Order for Low Impact Certification	<input type="checkbox"/> Order for Denial of Certification
<input checked="" type="checkbox"/> Order for Technically-conditioned Certification	<input type="checkbox"/> Waiver of Waste Discharge Requirements
<input checked="" type="checkbox"/> Enrollment in SWRCB GWDR Order No. 2003-017-DWQ	<input type="checkbox"/> Enrollment in Isolated Waters Order No. 2004-004-DWQ

PROJECT DESCRIPTION

An application dated February 8, 2010 was submitted by San Diego Gas & Electric Company (hereinafter Applicant), for Water Quality Certification pursuant to section 401 of the Clean Water Act (33 U.S.C. § 1341) for the proposed SDG&E 5428 – Permanent Erosion Repair, Gas TL2010, Mission Trails Project (Project). The Applicant has also applied for a Clean Water Act section 404 permit from the United States Army Corps of Engineers for the Project (USACE File No. SPL-2010-00159).

The Project is located within the City of San Diego, San Diego County, California under Avenida del Rio. The Project center reading is located at latitude 32.8524° and longitude -117.05221°. The Applicant has paid all required fees for this Certification in the amount of \$681.00. On February 24, 2010, the San Diego Water Board provided public notice of the Project application pursuant to California Code of Regulations, title 23, section 3858 by posting information describing the Project on the San Diego Water Board's web site and providing a period of twenty-one days for public review and comment. No comments were received.

The Applicant proposes to make repairs to the existing unpaved access road along and over an existing high-pressure gas transmission main (TL2010) within a 30-foot-wide easement in Mission Trails Regional Park. The purpose of the project is to permanently repair areas of erosion at six locations (Sites A, B, D, E, F, and G)¹ along the existing unpaved access road to ensure safe access for regular maintenance and emergency response on a gas transmission main that is vital to the San Diego region.

Five of the locations (Sites A, B, E, F, and G) consist of drainage crossings where the access road frequently erodes to the point that vehicles cannot pass. At these locations, the Applicant proposes to construct at-grade concrete ford crossings across the drainages and up the bank on both sides within the existing access road alignment. In the case of Site F, current channel flow has been completely impeded by the presence of the access road, which is redirecting the stream flow onto the road surface towards Site E to the east. The Applicant has designed the crossing to restore the pre-road stream flow path to cross the road toward the historic confluence with unnamed tributary to Oak Canyon Creek.

At the Site D location, the streambank adjacent to the access road has eroded due to a drainage swale that has formed into a gully adjacent to the access road, which is threatening to undermine the road. At site D, the gully will be filled and regraded to redirect roadside runoff from the adjacent access road and the streambank will be reconstructed using a half-ton riprap to stabilize and protect the bank along the natural streambed (unnamed tributary to Oak Canyon Creek).

The primary construction activities will include clearing, excavation, fill, rock placement, and concrete placement. The Project construction will utilize a four-wheel drive rubber-tired loader, a tracked excavator, and/or rubber-tired backhoe, a concrete truck and pump, a portable water truck, and support vehicles during the construction. Vehicle and equipment access to the project will be primarily restricted to the existing access roads, nearby staging areas, and repair sites. Equipment used within the channel will be limited to the minimum amount necessary to complete project activities.

The Project was redesigned in the past year to reduce the quantity of proposed fill, eliminate the use of gabions and grouted rip rap, and incorporate the use of water bars on steep road slopes to prevent roadway water drainage from forming gullies and rills on the road, thereby preventing future discharge of sediment to streams and reducing the amount of paving that was originally proposed in the initial application.

Receiving waters potentially affected by the Project are protected in accordance with water quality standards in the *Water Quality Control Plan for the San Diego Basin (9)* (Basin Plan). This Certification authorizes permanent and temporary impacts to waters of the United States and /or State affected by the Project and requires compensatory mitigation to offset adverse impacts as described in section VI of the Certification. The temporary impacts will be restored by the Applicant to pre-Project conditions and do not include physical loss of aquatic resource area or permanent degradation of ecological conditions. Compensatory mitigation to offset the

¹ Erosion repair site C was initially considered for repair and subsequently removed from the proposed project. Site C involved repair of an old access road which will be abandoned in favor of a newer existing access road to the north.

permanent degradation of ecological conditions of jurisdictional waters will be achieved through the Applicant's purchase of mitigation bank credits from the San Luis Rey Mitigation Bank (Bank) in advance of Project construction. Mitigation credit parcels, purchased from the Bank to satisfy compensatory mitigation requirements, are required to be protected, monitored and maintained in perpetuity by the Bank pursuant to a federal and State approved bank enabling instrument and a recorded conservation easement. Based on all of these considerations, the Applicant's compliance with the terms and conditions of this Certification will ensure that the water quality standards for all waters of the United States and/or State impacted by the Project are met.

TABLE OF CONTENTS

I.	STANDARD CONDITIONS	5
II.	GENERAL CONDITIONS.....	5
III.	CONSTRUCTON AND POST CONSTRUCTON BEST MANAGEMENT PRACTICES ..	8
IV.	PROJECT IMPACTS AND COMPENSATORY MITIGATION	8
V.	MONITORING AND REPORTING REQUIREMENTS.....	10
VI.	NOTIFICATION REQUIREMENTS	12
VII.	CALIFORNIA ENVIRONMENTAL QUALITY ACT COMPLIANCE	13
VIII.	SAN DIEGO WATER BOARD CONTACT PERSON.....	13
IX.	WATER QUALITY CERTIFICATION	14

Attachments:

- 1. Definitions**
- 2. Project Figures and Plans**

The San Diego Water Board has independently reviewed the record of the Project to analyze the extent and nature of proposed Project impacts to the water quality and beneficial uses of waters of the United States and/or State and associated compensatory mitigation required to offset impacts attributed to the Project. In accordance with this Certification, the Applicant may proceed with the Project under the following terms and conditions:

I. STANDARD CONDITIONS

Pursuant to section 3860 of title 23 of the California Code of Regulations, the following three standard conditions apply to all water quality certification actions:

- A. This Certification action is subject to modification or revocation upon administrative or judicial review, including review and amendment pursuant to section 13330 of the Water Code and chapter 28, article 6 (commencing with title 23, section 3867), of the California Code of Regulations.
- B. This Certification action is not intended and shall not be construed to apply to any discharge from any activity involving a hydroelectric facility and requiring a Federal Energy Regulatory Commission (FERC) license or an amendment to a FERC license unless the pertinent Certification application was filed pursuant to California Code of Regulations title 23, section 3855 subdivision (b), and that application specifically identified that a FERC license or amendment to a FERC license for a hydroelectric facility was being sought.
- C. This Certification action is conditioned upon total payment of any fee required under title 23, chapter 28 (commencing with section 3830) of California Code of Regulations and owed by the applicant.

II. GENERAL CONDITIONS

- A. **Term of Certification.** Water Quality Certification No. 10C-016 (Certification) shall expire upon a) the expiration or retraction of the Clean Water Act section 404 (33 U.S.C. §1344) permit issued by the U.S. Army Corps of Engineers for this Project, or b) five (5) years from the date of issuance of this Certification, whichever occurs first.
- B. **Duty to Comply.** The Applicant must comply with all conditions and requirements of this Certification. Any Certification noncompliance constitutes a violation of the Water Code and is grounds for enforcement action or Certification termination, revocation and reissuance, or modification.
- C. **General Waste Discharge Requirements.** The requirements of this Certification are enforceable through Water Quality Order No. 2003-0017-DWQ, *Statewide General Waste Discharge Requirements for Discharges of Dredged or Fill Material that have Received State Water Quality Certification* (Water Quality Order No. 2003-0017-DWQ). This provision shall apply irrespective of whether a) the federal permit for which the Certification was obtained is subsequently retracted or is expired, or b) the Certification is expired. Water Quality Order No. 2003-0017-DWQ is accessible at:

http://www.waterboards.ca.gov/water_issues/programs/cwa401/docs/generalorders/go_wdr401regulated_projects.pdf.

- D. Project Conformance with Application.** All water quality protection measures and BMPs described in the application and supplemental information for water quality certification are incorporated by reference into this Certification as if fully stated herein. Notwithstanding any more specific conditions in this Certification, the Applicant shall construct, implement and comply with all water quality protection measures and BMPs described in the application and supplemental information. The conditions within this Certification shall supersede conflicting provisions within the application and supplemental information submitted as part of this Certification action.
- E. Project Conformance with Water Quality Control Plans or Policies.** Notwithstanding any more specific conditions in this Certification, the Project shall be constructed in a manner consistent with the Basin Plan and any other applicable water quality control plans or policies adopted or approved pursuant to the Porter Cologne Water Quality Act (Division 7, commencing with Water Code Section 13000) or section 303 of the Clean Water Act (33 U.S.C §1313.).

http://www.waterboards.ca.gov/sandiego/water_issues/programs/basin_plan/index.shtml
↓

- F. Project Modification.** The Applicant must submit any changes to the Project, including Project operation, which would have a significant or material effect on the findings, conclusions, or conditions of this Certification, to the San Diego Water for prior review and written approval. If the San Diego Water Board is not notified of a significant change to the Project, it will be considered a violation of this Certification.
- G. Certification Distribution Posting.** During Project construction, the Applicant must maintain a copy of this Certification at the Project site. This Certification must be available at all times to site personnel and agencies. A copy of this Certification shall also be provided to any contractor or subcontractor performing construction work, and the copy shall remain in their possession at the Project site.
- H. Inspection and Entry.** The Applicant must allow the San Diego Water Board or the State Water Resources Control Board, and/or their authorized representative(s) (including an authorized contractor acting as their representative), upon the presentation of credentials and other documents as may be required under law, to:
1. Enter upon the Project or Compensatory Mitigation site(s) premises where a regulated facility or activity is located or conducted, or where records must be kept under the conditions of this Certification;
 2. Have access to and copy, at reasonable times, any records that must be kept under the conditions of this Certification;

3. Inspect, at reasonable times, any facilities, equipment (including monitoring and control equipment), practices, or operations regulated or required under this Certification; and
 4. Sample or monitor, at reasonable times, for the purposes of assuring Certification compliance, or as otherwise authorized by the Clean Water Act or Water Code, any substances or parameters at any location.
- I. **Enforcement Notification.** In the event of any violation or threatened violation of the conditions of this Certification, the violation or threatened violation shall be subject to any remedies, penalties, process or sanctions as provided for under State law. For purposes of section 401(d) of the Clean Water Act, the applicability of any State law authorizing remedies, penalties, process or sanctions for the violation or threatened violation constitutes a limitation necessary to assure compliance with the water quality standards and other pertinent requirements incorporated into this Certification.
- J. **Certification Actions.** This Certification may be modified, revoked and reissued, or terminated for cause including but not limited to the following:
1. Violation of any term or condition of this Certification;
 2. Monitoring results indicate that continued Project activities could violate water quality objectives or impair the beneficial uses of Oak Canyon Creek or its tributaries;
 3. Obtaining this Certification by misrepresentation or failure to disclose fully all relevant facts;
 4. A change in any condition that requires either a temporary or permanent reduction or elimination of the authorized discharge; and
 5. Incorporation of any new or revised water quality standards and implementation plans adopted or approved pursuant to the Porter-Cologne Water Quality Control Act or section 303 of the Clean Water Act.
- The filing of a request by the Applicant for modification, revocation and reissuance, or termination, or a notification of planned changes or anticipated noncompliance does not stay any Certification condition.
- K. **Duty to Provide Information.** The Applicant shall furnish to the San Diego Water Board, within a reasonable time, any information which the San Diego Water Board may request to determine whether cause exists for modifying, revoking and reissuing, or terminating this Certification or to determine compliance with this Certification.
- L. **Property Rights.** This Certification does not convey any property rights of any sort, or any exclusive privilege.

M. **Petitions.** Any person aggrieved by this action of the San Diego Water Board may petition the State Water Resources Control Board (State Water Board) to review the action in accordance with the California Code of Regulations, title 23, sections 3867 and following. The State Water Board must receive the petition by 5:00 p.m., 30 days after the date of this Certification. Copies of the law and regulations applicable to filing petitions may be found on the Internet at: http://www.waterboards.ca.gov/public_notices/petitions/water_quality or will be provided upon request.

III. CONSTRUCTION AND POST CONSTRUCTION BEST MANAGEMENT PRACTICES

- A. **Construction Requirements.** Prior to start of Project construction, the Applicant must, as applicable, obtain coverage under, and comply with, the requirements of State Water Resources Control Board Water Quality Order No. 2009-0009-DWQ, the General Permit for Storm Water Discharges Associated with Construction and Land Disturbance Activity (General Construction Storm Water Permit) and any reissuance. If Project construction activities do not require coverage under the General Construction Storm Water Permit, the Applicant must develop and implement a pollution control plan, construction BMP plan, and/or erosion and sediment control plan to prevent the discharge of sediment and other pollutants during construction activities.
- B. **Post-Construction Requirements.** The Project must meet all the Post-Construction requirements of the San Diego Water Board Order No. R9-2013-0001 (and amendments) National Pollutant Discharge Elimination Systems Permit and Waste Discharge Requirements for Discharges from the Municipal Separate Storm Sewer Systems (MS4) Draining the Watersheds within the San Diego Region (Regional MS4 Permit).

IV. PROJECT IMPACTS AND COMPENSATORY MITIGATION

- C. **Project Impacts and Compensatory Mitigation.** Unavoidable Project impacts to Oak Canyon Creek and the unnamed tributary to Oak Canyon Creek, tributaries to the San Diego River, within the San Diego Watershed must not exceed the type and magnitude of impacts described in the table below. At a minimum, compensatory mitigation required to offset unavoidable temporary and permanent Project impacts to waters of the United States and/or State must be achieved as described in the table below:

	Impacts (acres)	Impacts (linear ft.)	Mitigation for Impacts (acres)	Mitigation Ratio (area mitigated :area impacted)	Mitigation for Impacts (linear ft.)	Mitigation Ratio (linear feet mitigated :linear feet impacted)
Permanent Impacts						
Wetland	0.0003 ¹	NA	0.13 Re-establishment ³	5:1	NA ⁴	NA ⁴
Streambed	0.0257 ²	311 ²				
Temporary Impacts⁵						
Wetland	0.0004 ⁶	NA	NA	NA	NA	NA
Streambed and Riparian	0.0160 ⁷	122 ⁷	NA	NA	NA	NA

NA – Not applicable

1. Permanent impacts to wetland waters of the U.S. and/or State (mulefat scrub) associated with proposed road repairs at Site A.
2. Permanent impacts to unvegetated non-wetland waters of the U.S. and/or State associated with the proposed road repairs at Site A (0.0029 acre; 19 linear feet), Site B (0.0094 acre; 24 linear feet), Site D (0.0001 acre; 14 linear foot), Site E (0.0061 acre; 93 linear feet), Site F (0.0058 acre; 160 linear feet), and Site G (0.0014 acre; 20 linear feet).
3. Project compensatory mitigation re-establishment credits will be purchased from the San Luis Rey Mitigation Bank, Oceanside, CA.
4. Compensatory mitigation is being provided in a contiguous area at the San Luis Rey Mitigation Bank (approximately 55.8 acres); therefore, compensatory mitigation for linear feet is not being calculated on a project by project basis.
5. All areas of temporary impacts must be restored to pre-project contours and re-vegetated with native species.
6. Temporary impacts to wetland waters of the U.S. and/or State associated with proposed road repairs at Site A.
7. Temporary impacts to non-wetland waters of the U.S. and/or State associated with the proposed road repairs at Site A (0.0008 acre; 8 linear feet), Site B (0.0037 acre; 11 linear feet), Site D (0.0043 acre; 33 linear feet), Site E (0.0014 acre; 15 linear feet), Site F (0.0047 acre; 45 linear feet), and Site G (0.0011 acre; 10 linear feet).

D. Mitigation Credit Purchase. Prior to the start of construction, the Applicant must provide documentation to the San Diego Water Board verifying the purchase of at least 0.13 acre of credit applicable to the re-establishment of wetland waters of the U.S. and/or State from the San Luis Rey Mitigation Bank. The use of an alternate mitigation bank to provide required compensatory mitigation must be approved by the San Diego Water Board before the credits are secured and is subject to the following conditions:

1. The Applicant must identify the USACE approved mitigation bank and submit documentation demonstrating that:
 - a. The permitted Project impacts are located within the service area of the mitigation bank; and
 - b. The mitigation bank has the appropriate number and resource type of credits available.
2. If San Diego Water Board approval of the use of the alternate mitigation bank is obtained, the Applicant must provide documentation verifying that the appropriate number and resource type of credits have been secured from the mitigation bank prior to the start of construction.

E. Temporary Project Impact Areas. The Applicant must restore all areas of temporary impacts and all other areas of temporary disturbance which could result in a discharge or a threatened discharge of pollutants to waters of the United States and/or State. Restoration must include grading of disturbed areas to pre-project contours and re-vegetation with native species. The Applicant must implement all necessary BMPs to control erosion and runoff from areas associated with the Project.

V. MONITORING AND REPORTING REQUIREMENTS

- A. Annual Project Progress Reports.** The Applicant must submit annual Project progress reports describing compliance with all requirements of this Certification to the San Diego Water Board prior to **March 1** of each year following the issuance of this Certification, until the Project has reached completion. The report must include the following information:
1. The names, qualifications, and affiliations of the persons contributing to the report;
 2. The status, progress, and anticipated schedule for completion of Project construction activities;
 3. A description of Project construction delays encountered or anticipated that may affect the schedule for construction completion; and
 4. A description of each incident of noncompliance during the annual monitoring period and its cause, the period of the noncompliance including exact dates and times, and if the noncompliance has not been corrected, the anticipated time it is expected to continue; and the steps taken or planned to reduce, eliminate, and prevent reoccurrence of the noncompliance.
- H. Final Project Completion Report.** The Applicant must submit a Final Project Completion Report to the San Diego Water Board **within 30 days of completion of the Project**. The final report must include the following information:

1. Date of construction initiation;
 2. Date of construction completion;
 3. As-built drawings of the Project, no bigger than 11”X17”; and
 4. Photo documentation of implemented post-construction BMPs and all areas of permanent and temporary impacts, prior to and after project construction. Photo documentation must be conducted in accordance with guidelines posted at http://www.waterboards.ca.gov/sandiego/water_issues/programs/401_certification/docs/StreamPhotoDocSOP.pdf. In addition, photo documentation must include Global Positioning System (GPS) coordinates for each of the photo points referenced.
- I. **Reporting Authority.** The submittal of information required under this Certification, or in response to a suspected violation of any condition of this Certification, is required pursuant to Water Code section 13267 and 13383. Civil liability may be administratively imposed by the San Diego Water Board for failure to submit information pursuant to Water Code sections 13268 or 13385.
- J. **Electronic Document Submittal.** The Applicant must submit all reports and information required under this Certification in electronic format via e-mail to SanDiego@waterboards.ca.gov. Documents over 50 megabytes will not be accepted via e-mail and must be placed on a disc and delivered to:
- California Regional Water Quality Control Board
San Diego Region
Attn: 401 Certification No. 10C-016:749716:lhonma
2375 Northside Drive, Suite 100
San Diego, California 92108
- Each electronic document must be submitted as a single file, in Portable Document Format (PDF), and converted to text searchable format using Optical Character Recognition (OCR). All electronic documents must include scanned copies of all signature pages; electronic signatures will not be accepted. Electronic documents submitted to the San Diego Water Board must include the following identification numbers at the end of the header or subject line: Certification No. 10C-016:749716:lhonma.
- K. **Document Signatory Requirements.** All applications, reports, or information submitted to the San Diego Water Board must be signed as follows:
1. For a corporation, by a responsible corporate officer of at least the level of vice president.
 2. For a partnership or sole proprietorship, by a general partner or proprietor, respectively.

3. For a municipality, or a state, federal, or other public agency, by either a principal executive officer or ranking elected official.
4. A duly authorized representative may sign applications, reports, or information if:
 - a. The authorization is made in writing by a person described above.
 - b. The authorization specifies either an individual or position having responsibility for the overall operation of the regulated activity.
 - c. The written authorization is submitted to the San Diego Water Board Executive Officer.

If such authorization is no longer accurate because a different individual or position has responsibility for the overall operation of the Project, a new authorization satisfying the above requirements must be submitted to the San Diego Water Board prior to or together with any reports, information, or applications, to be signed by an authorized representative.

- L. **Document Certification Requirements.** All applications, reports, or information submitted to the San Diego Water Board must be certified as follows:

"I certify under penalty of law that I have personally examined and am familiar with the information submitted in this document and all attachments and that, based on my inquiry of those individuals immediately responsible for obtaining the information, I believe that the information is true, accurate, and complete. I am aware that there are significant penalties for submitting false information, including the possibility of fine and imprisonment."

VI. NOTIFICATION REQUIREMENTS

- A. **Twenty Four Hour Non-Compliance Reporting.** The Applicant shall report any noncompliance which may endanger health or the environment. Any such information shall be provided orally to the San Diego Water Board within **24 hours** from the time the Applicant becomes aware of the circumstances. A written submission shall also be provided within five days of the time the Applicant becomes aware of the circumstances. The written submission shall contain a description of the noncompliance and its cause; the period of noncompliance, including exact dates and times, and if the noncompliance has not been corrected; the anticipated time it is expected to continue; and steps taken or planned to reduce, eliminate, and prevent recurrence of the noncompliance. The San Diego Water Board, or an authorized representative, may waive the written report on a case-by-case basis if the oral report has been received within 24 hours.
- B. **Anticipated Noncompliance.** The Applicant shall give advance notice to the San Diego Water Board of any planned changes in the Project or the Compensatory Mitigation project which may result in noncompliance with Certification conditions or requirements.

C. Transfers. This Certification is not transferable in its entirety or in part to any person or organization except after notice to the San Diego Water Board in accordance with the following terms:

- 1. Transfer of Property Ownership:** The Applicant must notify the San Diego Water Board of any change in ownership of the Project area. Notification of change in ownership must include, but not be limited to, a statement that the Applicant has provided the purchaser with a copy of the Section 401 Water Quality Certification and that the purchaser understands and accepts the certification requirements and the obligation to implement them or be subject to liability for failure to do so; the seller and purchaser must sign and date the notification and provide such notification to the San Diego Water Board **within 10 days of the transfer of ownership.**

Upon properly noticed transfers of responsibility, the transferee assumes responsibility for compliance with this Certification and references in this Certification to the Applicant will be interpreted to refer to the transferee as appropriate. Transfer of responsibility does not necessarily relieve the Applicant of this Certification in the event that a transferee fails to comply.

D. Discharge Commencement. The Applicant must notify the San Diego Water Board in writing **at least 5 days prior to** the start of Project construction.

VII. CALIFORNIA ENVIRONMENTAL QUALITY ACT COMPLIANCE

- A.** The San Diego Water Board is the Lead Agency under the California Environmental Quality Act (CEQA) (Public Resources Code section 21000, et seq.) section 21067, and CEQA Guidelines (California Code of Regulations, title 14, section 15000 et seq.) section 15367, and has determined that the Project is categorically exempt because the Project consists of reconstruction of portions of an existing access road facility for an existing utility system that has substantially the same purpose and capacity as the existing facility being replaced.²
- B.** As a Lead Agency under CEQA, the San Diego Water Board will file a Notice of Exemption in accordance with CEQA Guidelines section 15062.

VIII. SAN DIEGO WATER BOARD CONTACT PERSON

Lisa Honma, Environmental Scientist
California Regional Water Quality Control Board, San Diego Region
2375 Northside Drive, Suite 100
San Diego, California 92108
Telephone: 619-521-3367
Email: Lisa.Honma@waterboards.ca.gov

² 14 CCR section 15301 and 15302

IX. WATER QUALITY CERTIFICATION

I hereby certify that the proposed discharge from the **SDG&E 5428 – Permanent Erosion Repair, Gas TL2010, Mission Trails Project** (Certification No. 10C-016) will comply with the applicable provisions of sections 301 ("Effluent Limitations"), 302 ("Water Quality Related Effluent Limitations"), 303 ("Water Quality Standards and Implementation Plans"), 306 ("National Standards of Performance"), and 307 ("Toxic and Pretreatment Effluent Standards") of the Clean Water Act. This discharge is also regulated under State Water Board Order No. 2003-0017-DWQ, "*Statewide General Waste Discharge Requirements for Dredged or Fill Discharges that have Received State Water Quality Certification (General WDRs)*," which requires compliance with all conditions of this Water Quality Certification. Please note that enrollment under Order No. 2003-017-DWQ is conditional and, should new information come to our attention that indicates a water quality problem, the San Diego Water Board may issue individual waste discharge requirements at that time.

Except insofar as may be modified by any preceding conditions, all Certification actions are contingent on (a) the discharge being limited to, and all proposed mitigation being completed in strict compliance with, the applicants' Project description and/or the description in this Certification, and (b) compliance with all applicable requirements of the Basin Plan.

I, David W. Gibson, Executive Officer, do hereby certify the forgoing is a full, true, and correct copy of Certification No. 10C-016 issued on October 31, 2016.



DAVID W. GIBSON
Executive Officer
San Diego Water Board

31 Oct. 2016
Date

ATTACHMENT 1

DEFINITIONS

Activity - when used in reference to a permit means any action, undertaking, or project including, but not limited to, construction, operation, maintenance, repair, modification, and restoration which may result in any discharge to waters of the state.

Buffer - means an upland, wetland, and/or riparian area that protects and/or enhances aquatic resource functions associated with wetlands, rivers, streams, lakes, marine, and estuarine systems from disturbances associated with adjacent land uses.

California Rapid Assessment Method (CRAM) - is a wetland assessment method intended to provide a rapid, scientifically-defensible and repeatable assessment methodology to monitor status and trends in the conditions of wetlands for applications throughout the state. It can also be used to assess the performance of compensatory mitigation projects and restoration projects. CRAM provides an assessment of overall ecological condition in terms of four attributes: landscape context and buffer, hydrology, physical structure and biotic structure. CRAM also includes an assessment of key stressors that may be affecting wetland condition and a "field to PC" data management tool (eCRAM) to ensure consistency and quality of data produced with the method.

Compensatory Mitigation Project - means compensatory mitigation implemented by the Applicant as a requirement of this Certification (i.e., applicant -responsible mitigation), or by a mitigation bank or an in-lieu fee program.

Discharge of dredged material – means any addition of dredged material into, including redeposit of dredged material other than incidental fallback within, the waters of the United States and/or State.

Discharge of fill material – means the addition of fill material into waters of the United States and/or State.

Dredged material – means material that is excavated or dredged from waters of the United States and/or State.

Ecological Success Performance Standards – means observable or measurable physical (including hydrological), chemical, and/or biological attributes that are used to determine if a compensatory mitigation project meets its objectives.

Enhancement – means the manipulation of the physical, chemical, or biological characteristics of an aquatic resource to improve a specific aquatic resource function(s). Enhancement results in the gain of selected aquatic resource function(s), but may also lead to a decline in other aquatic resource function(s). Enhancement does not result in a gain in aquatic resource area.

Establishment – means the manipulation of the physical, chemical, or biological characteristics present to develop an aquatic resource that did not previously exist. Creation results in a gain in aquatic resource area.

Fill material – means any material used for the primary purpose of replacing an aquatic area with dry land or of changing the bottom elevation of a water body.

Isolated wetland – means a wetland with no surface water connection to other aquatic resources.

Mitigation Bank – means a site, or suite of sites, where resources (e.g., wetlands, streams, riparian areas) are restored, established, enhanced, and/or preserved for the purpose of providing mitigation for impacts authorized by this Certification.

Preservation - means the removal of a threat to, or preventing the decline of, aquatic resources by an action in or near those aquatic resources. This term includes activities commonly associated with the protection and maintenance of aquatic resources through the implementation of appropriate legal and physical mechanisms. Preservation does not result in a gain of aquatic resource area or functions.

Re-establishment - means the manipulation of the physical, chemical, or biological characteristics of a site with the goal of returning natural/ historic functions to a former aquatic resource. Re-establishment results in rebuilding a former aquatic resource and results in a gain in aquatic resource area and functions.

Rehabilitation - means the manipulation of the physical, chemical, or biological characteristics of a site with the goal of repairing natural/ historic functions to a degraded aquatic resource. Rehabilitation results in a gain in aquatic resource function, but does not result in a gain in aquatic resource area.

Restoration - means the manipulation of the physical, chemical, or biological characteristics of a site with the goal of returning natural/historic functions to a former or degraded aquatic resource. For the purpose of tracking net gains in aquatic resource area, restoration is divided into two categories: re-establishment and rehabilitation.

Start of Project Construction - For the purpose of this Certification, "start of Project construction" means to engage in a program of on-site construction, including site clearing, grading, dredging, landfilling, changing equipment, substituting equipment, or even moving the location of equipment specifically designed for a stationary source in preparation for the fabrication, erection or installation of the building components of the stationary source within waters of the United States and/or State.

Uplands - means non-wetland areas that lack any field-based indicators of wetlands or other aquatic conditions. Uplands are generally well-drained and occur above (i.e., up-slope) from nearby aquatic areas. Wetlands can, however, be entirely surrounded by uplands. For example, some natural seeps and constructed stock ponds lack aboveground hydrological connection to other aquatic areas. In the watershed context, uplands comprise the landscape matrix in which aquatic areas form. They are the primary sources of sediment, surface runoff, and associated chemicals that are deposited in aquatic areas or transported through them.

Water quality objectives and other appropriate requirements of state law – means the water quality objectives and beneficial uses as specified in the appropriate water quality control plan(s); the applicable provisions of sections 301, 302, 303, 306, and 307 of the Clean Water Act; and any other appropriate requirement of state law.

San Diego Gas & Electric Company
SDG&E 5428 – Permanent Erosion Repair,
Gas TL2010, Mission Trails
Certification No. 10C-016

ATTACHMENT 2 PROJECT FIGURES AND PLANS

Figure 1 – Overview

Figure 2 – Erosion Repair Site A

Figure 3 – Erosion Repair Site B

Figure 4 – Erosion Repair Site D

Figure 5 – Erosion Repair Site E and F

Figure 6 – Erosion Repair Site G

Construction Plan Set for SDG&E Mission Trails Access Road Improvements, Sheets 1-7



Sources: Aerial image (SANDAG, 2014). NWI (USFWS, 2015). NHD (USGS, 2015).

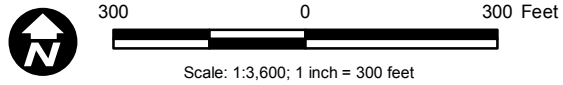


Figure 1
Overview



Sources: Aerial image (SANDAG, 2014).

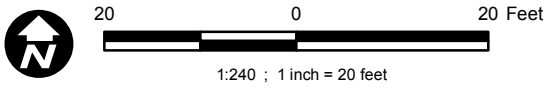
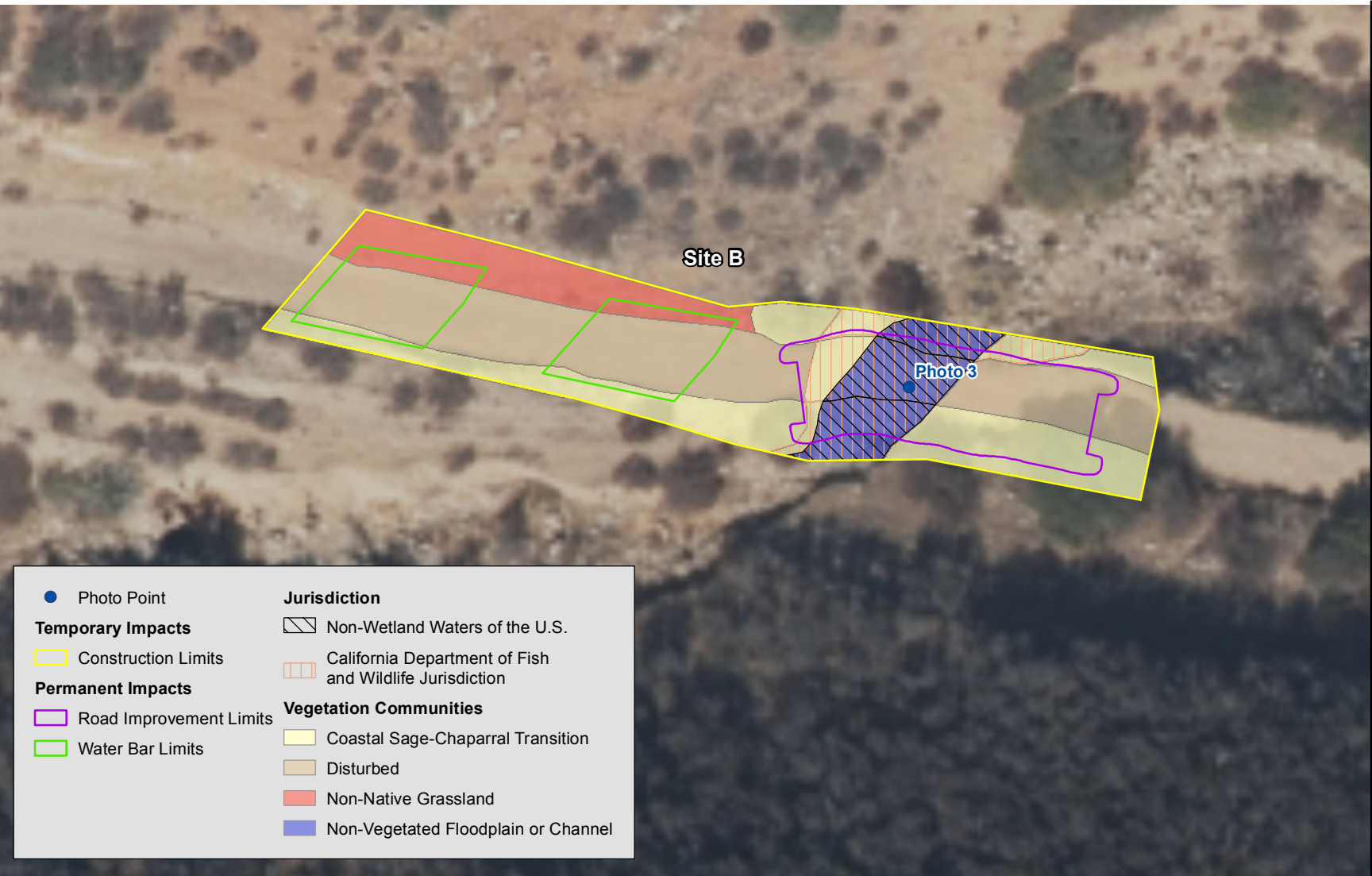


Figure 2
Erosion Repair Site A



● Photo Point	Jurisdiction
Temporary Impacts	Non-Wetland Waters of the U.S.
Construction Limits	California Department of Fish and Wildlife Jurisdiction
Permanent Impacts	Vegetation Communities
Road Improvement Limits	Coastal Sage-Chaparral Transition
Water Bar Limits	Disturbed
	Non-Native Grassland
	Non-Vegetated Floodplain or Channel

Sources: Aerial image (SANDAG, 2014).

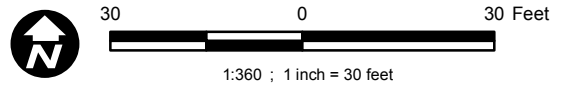


Figure 3
Erosion Repair Site B



● Photo Point	Jurisdiction
Temporary Impacts	▨ Non-Wetland Waters of the U.S.
▭ Construction Limits	▨ California Department of Fish and Wildlife Jurisdiction
Permanent Impacts	Vegetation Communities
▭ Grading Limits	▭ Coastal Sage-Chaparral Transition
▭ Road Improvement Limits	▭ Disturbed
▭ Water Bar Limits	▭ Non-Vegetated Floodplain or Channel

Sources: Aerial image (SANDAG, 2014).

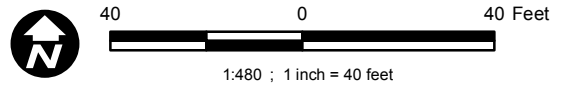
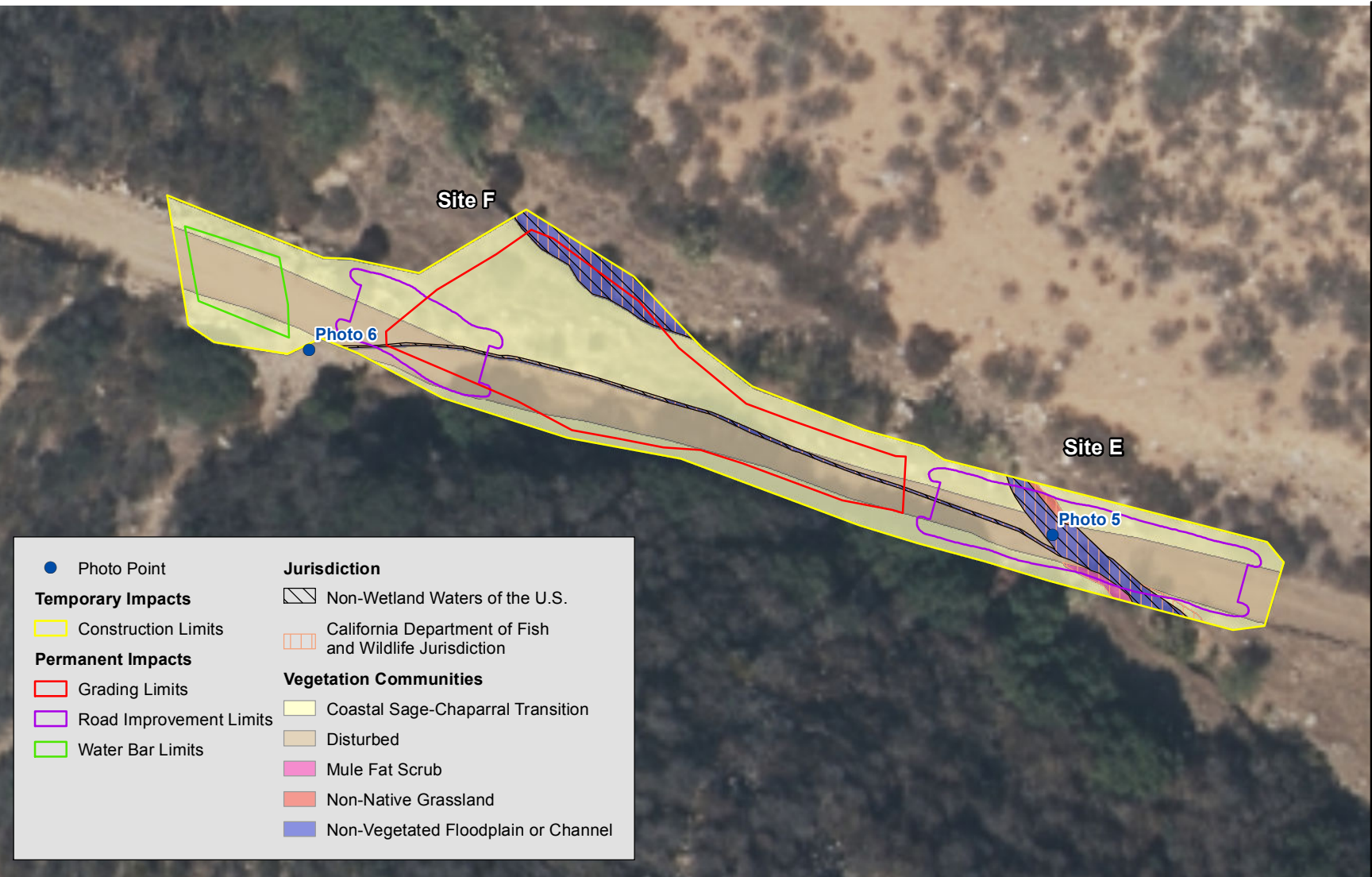


Figure 4
Erosion Repair Site D



● Photo Point	Jurisdiction
Temporary Impacts	Non-Wetland Waters of the U.S.
Construction Limits	California Department of Fish and Wildlife Jurisdiction
Permanent Impacts	Vegetation Communities
Grading Limits	Coastal Sage-Chaparral Transition
Road Improvement Limits	Disturbed
Water Bar Limits	Mule Fat Scrub
	Non-Native Grassland
	Non-Vegetated Floodplain or Channel

Sources: Aerial image (SANDAG, 2014).

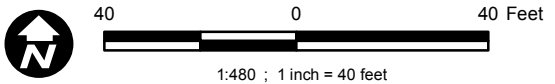


Figure 5
 Erosion Repair Site E and F



- Photo Point
- Temporary Impacts**
- Construction Limits
- Permanent Impacts**
- Road Improvement Limits
- Water Bar Limits
- Jurisdiction**
- ▨ Non-Wetland Waters of the U.S.
- ▨ California Department of Fish and Wildlife Jurisdiction
- Vegetation Communities**
- Coastal Sage-Chaparral Transition
- Disturbed
- Non-Native Grassland
- Non-Vegetated Floodplain or Channel

Sources: Aerial image (SANDAG, 2014).

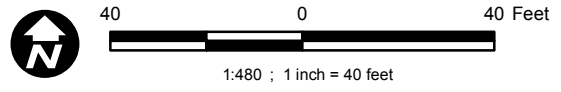


Figure 6
Erosion Repair Site G

STANDARD DRAWINGS

1. SAN DIEGO REGIONAL STANDARD DRAWINGS, CURRENT EDITION, SEPTEMBER 2012.

GENERAL NOTES

- DATUM AND HORIZONTAL INFORMATION IS UNKNOWN. EXISTING INFORMATION OBTAINED FROM SDG&E IN PDF FORMAT. PROPOSED DESIGN IS SHOWN RELATIVE TO THIS RECEIVED DATA AND MAY NOT ACCURATELY REFLECT EXISTING CONDITIONS.
- AS-BUILT INFORMATION NOT AVAILABLE. EXISTING UTILITY LOCATIONS ARE APPROXIMATE AND SHALL BE FIELD VERIFIED BY CONTRACTOR.

UTILITY NOTE

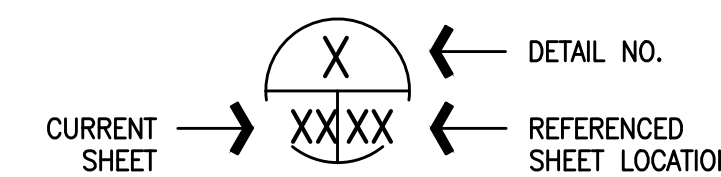
ATTENTION IS DIRECTED TO THE POSSIBLE EXISTENCE OF UNDERGROUND UTILITY FACILITIES NOT KNOWN OR IN A LOCATION DIFFERENT FROM THAT WHICH IS SHOWN ON THE PLANS OR IN THE SPECIAL PROVISIONS. THE CONTRACTOR SHALL TAKE STEPS TO ASCERTAIN THE EXACT LOCATION OF ALL UNDERGROUND FACILITIES PRIOR TO PERFORMING WORK THAT MAY DAMAGE SUCH FACILITIES OR INTERFERE WITH THEIR SERVICE. FORTY-EIGHT HOURS BEFORE EXCAVATING, THE CONTRACTOR SHALL VERIFY THE LOCATION OF UNDERGROUND FACILITIES BY CONTACTING DIGALERT AT TELEPHONE 811.

THE CONTRACTOR MUST ALSO INDIVIDUALLY CONTACT OPERATORS OF GRAVITY SEWER SYSTEMS AND CERTAIN OTHER UTILITIES, WHO ARE NOT MEMBERS OF DIGALERT.



VICINITY MAP
NOT TO SCALE

DETAIL DESCRIPTOR



LEGEND

PLAN SYMBOLS

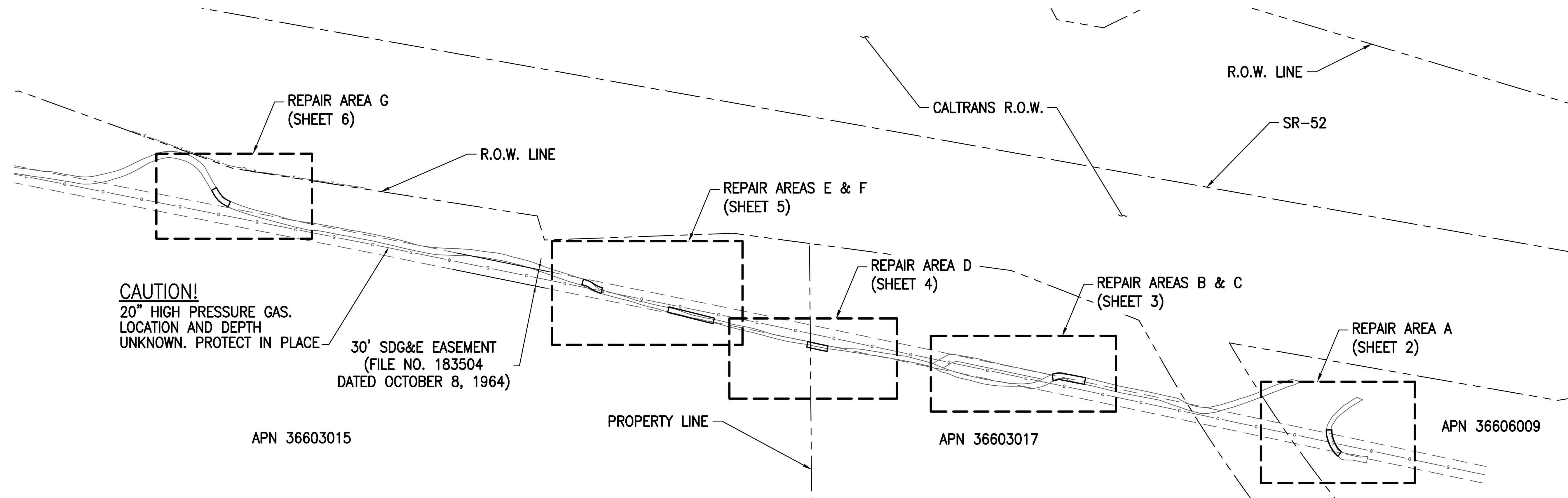
DESCRIPTION	SYMBOL
20" SDG&E HIGH PRESSURE GAS	
LIMITS OF ALLOWED CONSTRUCTION DISTURBANCE	
LIMITS OF ALLOWED ACCESS DISTURBANCE	
APPROXIMATE SDG&E EASEMENT BOUNDARY	
EXISTING SWALE	
EXISTING CONTOUR	
EXISTING ACCESS ROAD LIMITS	

WORK TO BE DONE

DESCRIPTION	SYMBOL	QUANTITY
PROPOSED WATERBAR		13 EA
RIVER ROCK		12 CY
CONCRETE ROADWAY		190 CY
PROPOSED SWALE		104 LF
NATURAL RIP RAP		328 CY
FLOW DIRECTION		

ABBREVIATIONS

APN	ACCESSOR PARCEL NUMBER
FG NO.	FINISHED GROUND NUMBER
R.O.W.	RIGHT OF WAY



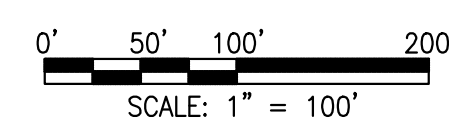
CAUTION!
20" HIGH PRESSURE GAS.
LOCATION AND DEPTH UNKNOWN. PROTECT IN PLACE

30' SDG&E EASEMENT
(FILE NO. 183504
DATED OCTOBER 8, 1964)

100% SUBMITTAL
NOT FOR CONSTRUCTION

LOCATION OF
E.O.W. STAMP

KEY MAP



SHEET INDEX

TITLE SHEET	SHEET 1
REPAIR AREA A	SHEET 2
REPAIR AREAS B & C	SHEET 3
REPAIR AREA D	SHEET 4
REPAIR AREAS E & F	SHEET 5
REPAIR AREA G	SHEET 6
DETAILS	SHEET 7

REVISIONS

NO.	WORK DONE	DATE	BY	APP'D	NO.	WORK DONE	DATE	BY	APP'D	NO.	WORK DONE	DATE	BY	APP'D	NO.	WORK DONE	DATE	BY	APP'D	NO.	

SAN DIEGO GAS & ELECTRIC COMPANY
SAN DIEGO, CALIFORNIA

SDG&E MISSION TRAILS
ACCESS ROAD IMPROVEMENTS

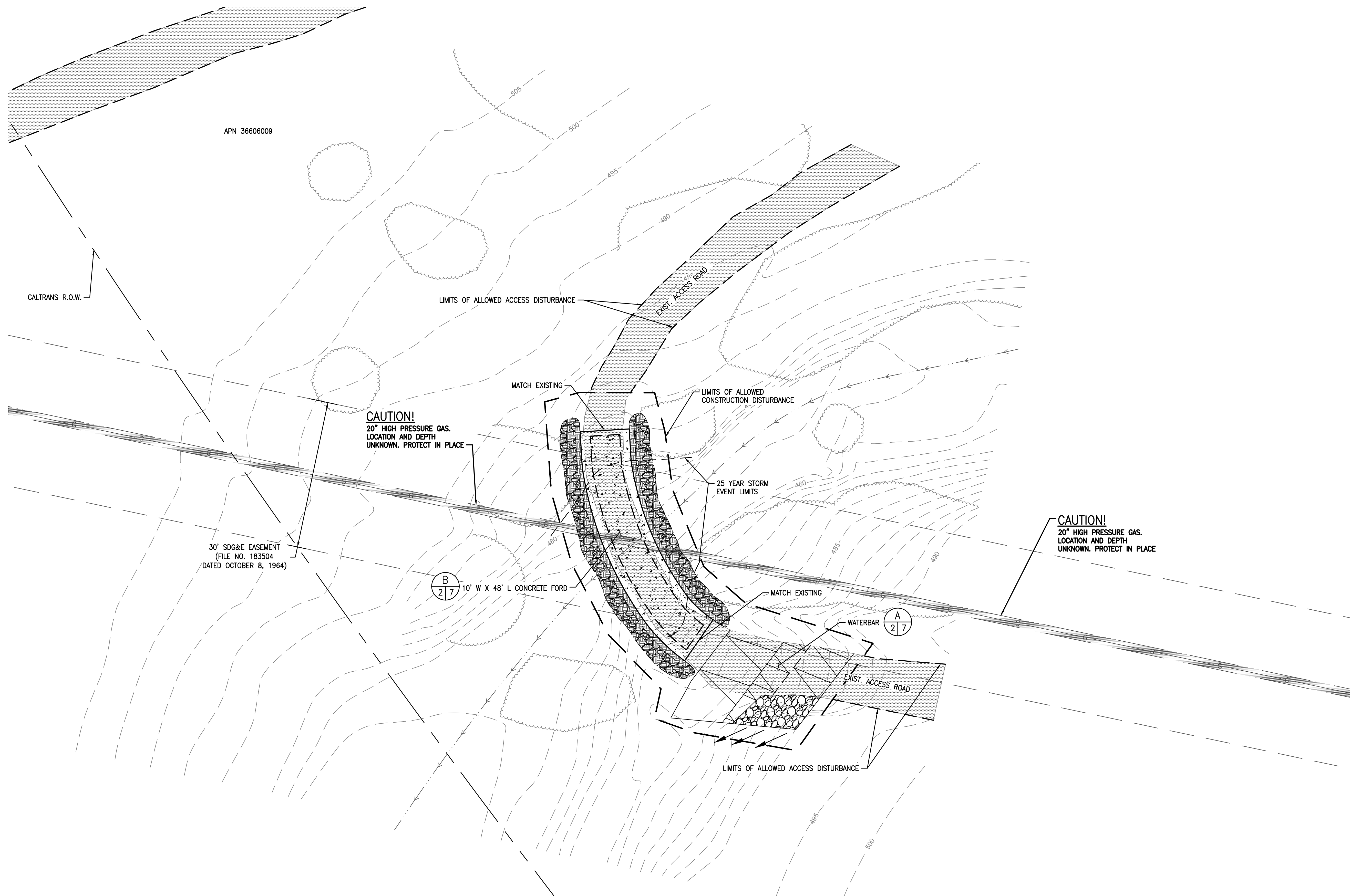
DRAWN BY: GFC	DATE: -	SCALE: AS SHOWN	W.O.: -	REV: -
CHECKED BY: DL	DATE: -			
APPROVED BY: -	DATE: -	SHEET 1 OF 7		
CAD NO: -		PLOT SCALE: -		

TITLE SHEET



NOTES:

1. THE ACCURATE LOCATION AND DEPTH OF THE 20" HIGH PRESSURE GAS IS NOT KNOWN. CONTRACTOR SHALL CONTACT SDG&E TO LOCATE AS REQUIRED FOR CONSTRUCTION PURPOSES.
2. CONTRACTOR SHALL FLAG ALIGNMENT OF THE 20" HIGH PRESSURE GAS LINE AND ONLY WORK WITHIN THE SDG&E EASEMENT IN THE PRESENCE OF AN SDG&E INSPECTOR.
3. IT IS NOT KNOWN IF THERE ARE OTHER UTILITIES IN THE CONSTRUCTION AREA. CONTRACTOR SHALL CONTACT UNDERGROUND SERVICE ALERT AND SDG&E TO LOCATE UTILITIES.
4. CONTRACTOR SHALL FLAG ALL LIMITS OF WORK AND PLACE EROSION CONTROL MEASURES BEFORE STARTING ANY CONSTRUCTION ACTIVITY.
5. CONTRACTOR SHALL MAINTAIN ALL EROSION CONTROL MEASURES AS REQUIRED TO PREVENT POLLUTED RUNOFF FROM LEAVING THE SITE.
6. CONTRACTOR SHALL NOT GRADE OR IMPACT THE VEGETATION OF ANY AREAS BEYOND THE LIMITS SHOWN HEREON.
7. THE CONTRACTOR IS ALLOWED TO PERFORM MINOR GRADING WITHIN THE LIMITS OF THE ACCESS DISTURBANCE AS NEEDED FOR CONSTRUCTION VEHICLE ACCESS.
8. CONTRACTOR SHALL DEWATER WATERCOURSE AS NECESSARY FOR CONSTRUCTION OF THE IMPROVEMENTS.
9. CONTRACTOR SHALL PROVIDE 1" = 200' SCALE PLAN OF THE PROPOSED ACCESS ROUTE AND STAGING AREAS TO BE USED FOR CONSTRUCTION.
10. IF REQUIRED, CONTRACTOR SHALL OBTAIN PERMISSION FROM CALTRANS FOR ACCESS THROUGH AND USE OF STATE ROUTE 52 ROUTE OF WAY.
11. CONTRACTOR SHALL NOT WILLFULLY PROCEED WITH CONSTRUCTION AS DESIGNED WHEN IT IS OBVIOUS THAT UNKNOWN OBSTRUCTIONS, AREA DISCREPANCIES AND/OR GRADE DIFFERENCES EXIST THAT MAY HAVE NOT BEEN KNOWN DURING DESIGN. SUCH CONDITIONS SHALL BE IMMEDIATELY BROUGHT TO THE ATTENTION OF THE AUTHORIZED OWNER'S REPRESENTATIVE. CONTRACTOR SHALL TAKE FULL RESPONSIBILITY FOR ANY COSTS, CONSTRUCTION DELAYS, OR REVISIONS DUE TO FAILURE TO GIVE SUCH NOTIFICATIONS.



APN 36606009

CALTRANS R.O.W.

CAUTION!
20" HIGH PRESSURE GAS.
LOCATION AND DEPTH
UNKNOWN. PROTECT IN PLACE

CAUTION!
20" HIGH PRESSURE GAS.
LOCATION AND DEPTH
UNKNOWN. PROTECT IN PLACE

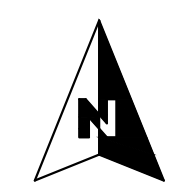
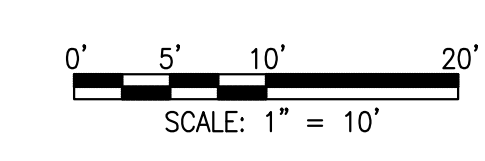
30' SDC&E EASEMENT
(FILE NO. 183504
DATED OCTOBER 8, 1964)

(B)
217

(A)
217

100% SUBMITTAL
NOT FOR CONSTRUCTION

LOCATION OF
E.O.W. STAMP



REVISIONS

NO.	WORK DONE	DATE:	BY:	APP'D:	NO.	WORK DONE	DATE:	BY:	APP'D:	NO.	WORK DONE	DATE:	BY:	APP'D:	NO.	WORK DONE	DATE:	BY:	APP'D:	NO.	

SAN DIEGO GAS & ELECTRIC COMPANY
SAN DIEGO, CALIFORNIA

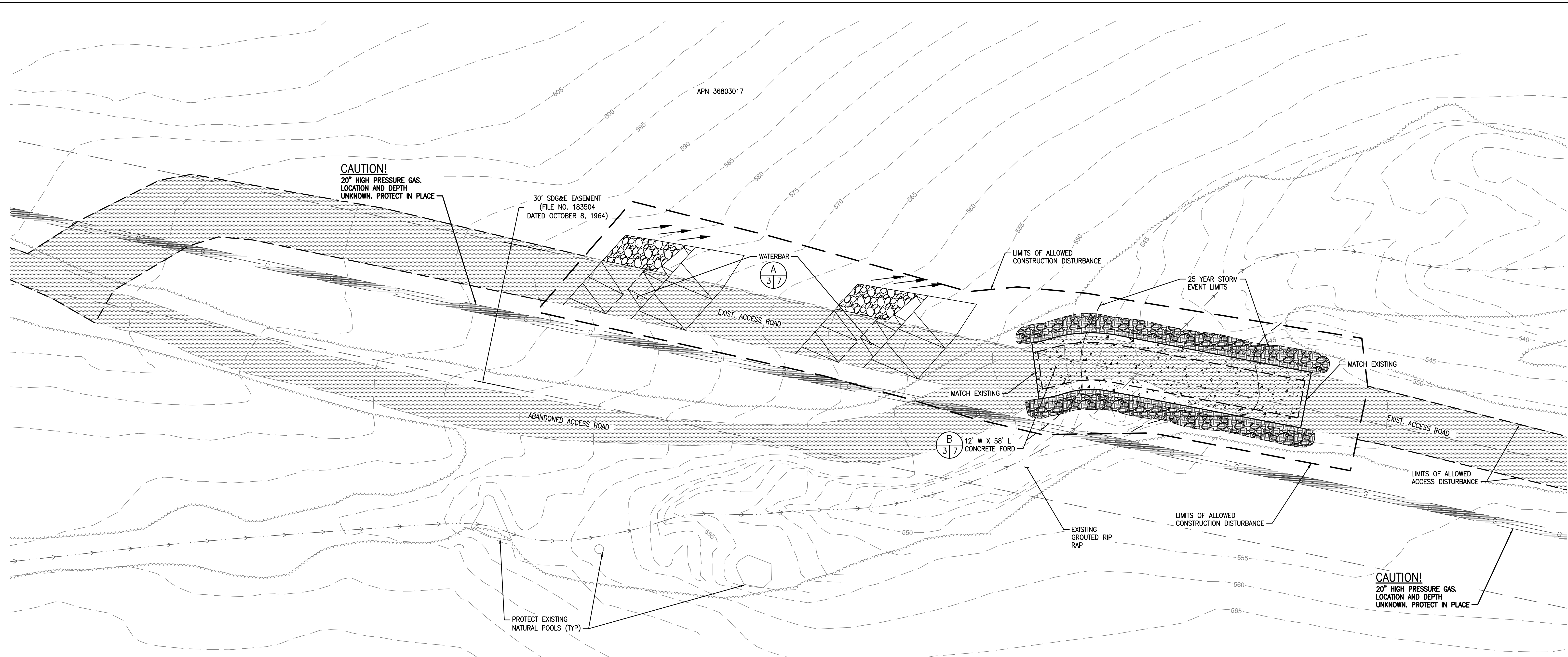
**SDG&E MISSION TRAILS
ACCESS ROAD IMPROVEMENTS**

DRAWN BY: GFC DATE: - SCALE: 1" = 10' W.O.: - REV.: -
 CHECKED BY: DL DATE: -
 APPROVED BY: - DATE: - SHEET 2 OF 7
 CAD NO.: - PLOT SCALE: -

REPAIR AREA A

U:\Projects\Jobs\2725013 SDGE Mission Trails\012 GIS & CAD\CIVIL\Area A.dwg Oct-27-2015 10:18

U:\Projects\Jobs\2725013 SDGE Mission Trails\012 GIS & CAD\CIVIL\Area B and C.dwg Oct-27-2015:10:18

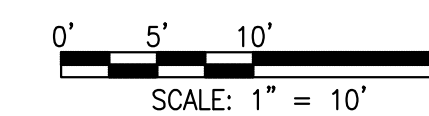


NOTES:

1. THE ACCURATE LOCATION AND DEPTH OF THE 20" HIGH PRESSURE GAS IS NOT KNOWN. CONTRACTOR SHALL CONTACT SDG&E TO LOCATE AS REQUIRED FOR CONSTRUCTION PURPOSES.
2. CONTRACTOR SHALL FLAG ALIGNMENT OF THE 20" HIGH PRESSURE GAS LINE AND ONLY WORK WITHIN THE SDG&E EASEMENT IN THE PRESENCE OF AN SDG&E INSPECTOR.
3. IT IS NOT KNOWN IF THERE ARE OTHER UTILITIES IN THE CONSTRUCTION AREA. CONTRACTOR SHALL CONTACT UNDERGROUND SERVICE ALERT AND SDG&E TO LOCATE UTILITIES.
4. CONTRACTOR SHALL FLAG ALL LIMITS OF WORK AND PLACE EROSION CONTROL MEASURES BEFORE STARTING ANY CONSTRUCTION ACTIVITY.
5. CONTRACTOR SHALL MAINTAIN ALL EROSION CONTROL MEASURES AS REQUIRED TO PREVENT POLLUTED RUNOFF FROM LEAVING THE SITE.
6. CONTRACTOR SHALL NOT GRADE OR IMPACT THE VEGETATION OF ANY AREAS BEYOND THE LIMITS SHOWN HEREON.
7. THE CONTRACTOR IS ALLOWED TO PERFORM MINOR GRADING WITHIN THE LIMITS OF THE ACCESS DISTURBANCE AS NEEDED FOR CONSTRUCTION VEHICLE ACCESS.
8. CONTRACTOR SHALL DEWATER WATERCOURSE AS NECESSARY FOR CONSTRUCTION OF THE IMPROVEMENTS.
9. CONTRACTOR SHALL PROVIDE 1" = 200' SCALE PLAN OF THE PROPOSED ACCESS ROUTE AND STAGING AREAS TO BE USED FOR CONSTRUCTION.
10. IF REQUIRED, CONTRACTOR SHALL OBTAIN PERMISSION FROM CALTRANS FOR ACCESS THROUGH AND USE OF STATE ROUTE 52 ROUTE OF WAY.
11. CONTRACTOR SHALL NOT WILLFULLY PROCEED WITH CONSTRUCTION AS DESIGNED WHEN IT IS OBVIOUS THAT UNKNOWN OBSTRUCTIONS, AREA DISCREPANCIES AND/OR GRADE DIFFERENCES EXIST THAT MAY HAVE NOT BEEN KNOWN DURING DESIGN. SUCH CONDITIONS SHALL BE IMMEDIATELY BROUGHT TO THE ATTENTION OF THE AUTHORIZED OWNER'S REPRESENTATIVE. CONTRACTOR SHALL TAKE FULL RESPONSIBILITY FOR ANY COSTS, CONSTRUCTION DELAYS, OR REVISIONS DUE TO FAILURE TO GIVE SUCH NOTIFICATIONS.

100% SUBMITTAL
NOT FOR CONSTRUCTION

LOCATION OF
E.O.W. STAMP



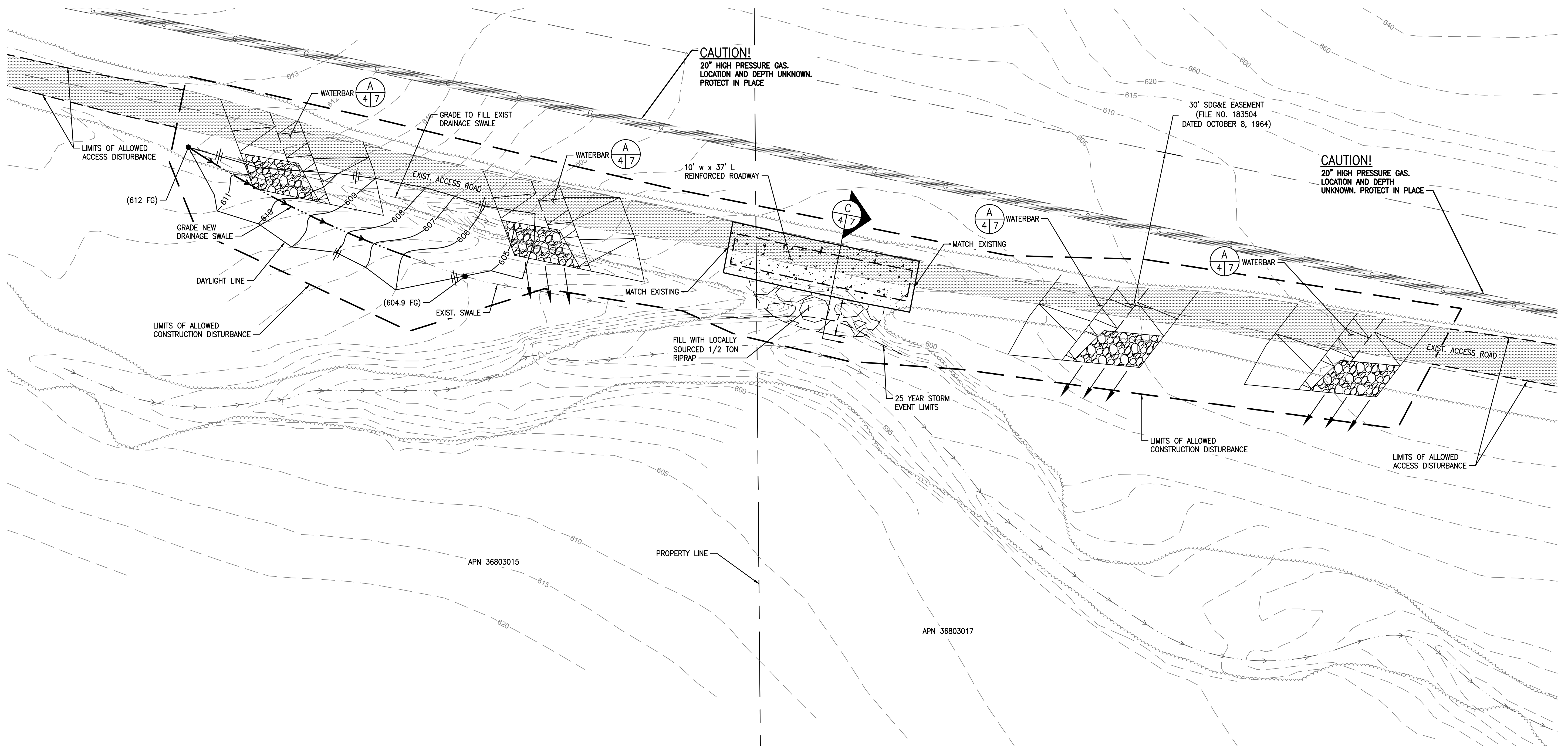
REVISIONS

NO.	WORK DONE	DATE:	BY:	APP'D:	NO.	NO.	WORK DONE	DATE:	BY:	APP'D:	NO.	NO.	WORK DONE	DATE:	BY:	APP'D:	NO.	NO.	

SAN DIEGO GAS & ELECTRIC COMPANY
SAN DIEGO, CALIFORNIA

SDG&E MISSION TRAILS
ACCESS ROAD IMPROVEMENTS

DRAWN BY: CFC	DATE: -	SCALE: 1" = 10'	W.O.: -	REV: -
CHECKED BY: DL	DATE: -			
APPROVED BY: -	DATE: -	SHEET 3 OF 7	REPAIR AREAS B & C	
CAD NO.: -	PLOT SCALE: -			

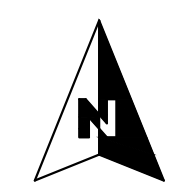
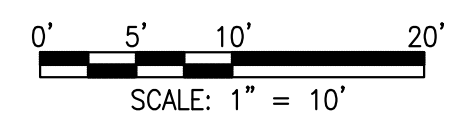


NOTES:

1. THE ACCURATE LOCATION AND DEPTH OF THE 20" HIGH PRESSURE GAS IS NOT KNOWN. CONTRACTOR SHALL CONTACT SDG&E TO LOCATE AS REQUIRED FOR CONSTRUCTION PURPOSES.
2. CONTRACTOR SHALL FLAG ALIGNMENT OF THE 20" HIGH PRESSURE GAS LINE AND ONLY WORK WITHIN THE SDG&E EASEMENT IN THE PRESENCE OF AN SDG&E INSPECTOR.
3. IT IS NOT KNOWN IF THERE ARE OTHER UTILITIES IN THE CONSTRUCTION AREA. CONTRACTOR SHALL CONTACT UNDERGROUND SERVICE ALERT AND SDG&E TO LOCATE UTILITIES.
4. CONTRACTOR SHALL FLAG ALL LIMITS OF WORK AND PLACE EROSION CONTROL MEASURES BEFORE STARTING ANY CONSTRUCTION ACTIVITY.
5. CONTRACTOR SHALL MAINTAIN ALL EROSION CONTROL MEASURES AS REQUIRED TO PREVENT POLLUTED RUNOFF FROM LEAVING THE SITE.
6. CONTRACTOR SHALL NOT GRADE OR IMPACT THE VEGETATION OF ANY AREAS BEYOND THE LIMITS SHOWN HEREON.
7. THE CONTRACTOR IS ALLOWED TO PERFORM MINOR GRADING WITHIN THE LIMITS OF THE ACCESS DISTURBANCE AS NEEDED FOR CONSTRUCTION VEHICLE ACCESS.
8. CONTRACTOR SHALL DEWATER WATERCOURSE AS NECESSARY FOR CONSTRUCTION OF THE IMPROVEMENTS.
9. CONTRACTOR SHALL PROVIDE 1" = 200' SCALE PLAN OF THE PROPOSED ACCESS ROUTE AND STAGING AREAS TO BE USED FOR CONSTRUCTION.
10. IF REQUIRED, CONTRACTOR SHALL OBTAIN PERMISSION FROM CALTRANS FOR ACCESS THROUGH AND USE OF STATE ROUTE 52 ROUTE OF WAY.
11. CONTRACTOR SHALL NOT WILLFULLY PROCEED WITH CONSTRUCTION AS DESIGNED WHEN IT IS OBVIOUS THAT UNKNOWN OBSTRUCTIONS, AREA DISCREPANCIES AND/OR GRADE DIFFERENCES EXIST THAT MAY HAVE NOT BEEN KNOWN DURING DESIGN. SUCH CONDITIONS SHALL BE IMMEDIATELY BROUGHT TO THE ATTENTION OF THE AUTHORIZED OWNER'S REPRESENTATIVE. CONTRACTOR SHALL TAKE FULL RESPONSIBILITY FOR ANY COSTS, CONSTRUCTION DELAYS, OR REVISIONS DUE TO FAILURE TO GIVE SUCH NOTIFICATIONS.

100% SUBMITTAL
NOT FOR CONSTRUCTION

LOCATION OF
E.O.W. STAMP



REVISIONS

NO.	WORK DONE	DATE:	BY:	APP'D:	NO.	WORK DONE	DATE:	BY:	APP'D:	NO.	WORK DONE	DATE:	BY:	APP'D:	NO.	WORK DONE	DATE:	BY:	APP'D:	NO.	

SAN DIEGO GAS & ELECTRIC COMPANY
SAN DIEGO, CALIFORNIA

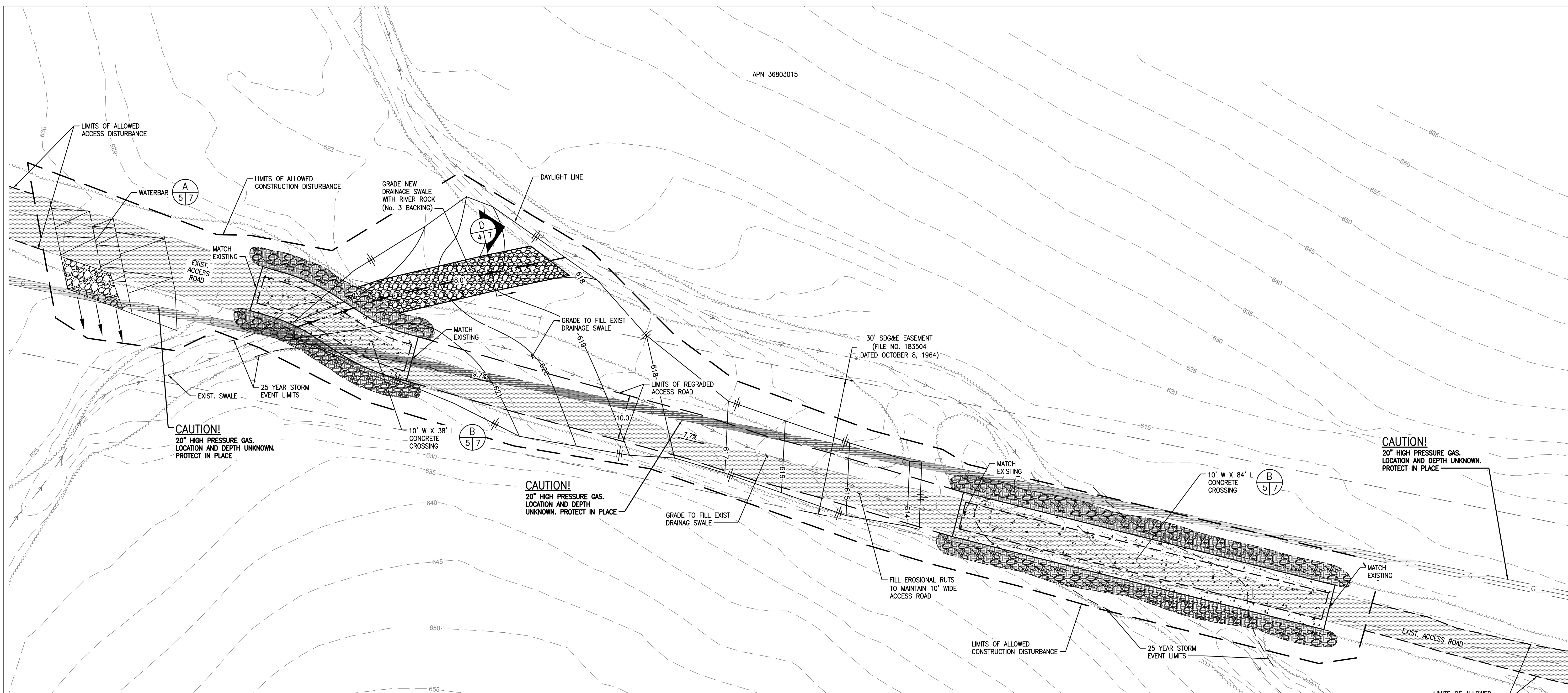
SDG&E MISSION TRAILS
ACCESS ROAD IMPROVEMENTS

DRAWN BY: CFC	DATE: -	SCALE: 1" = 10'	W.O.: -	REV: -
CHECKED BY: DL	DATE: -			
APPROVED BY: -	DATE: -	SHEET 4 OF 7		
CAD NO: -		PLOT SCALE: -		

REPAIR AREA D

U:\Projects\Jobs\2725013 SDGE Mission Trails\012 GIS & CAD\Civil\Area D.dwg Oct-27-2015 10:18

APN 36803015



CAUTION!
20" HIGH PRESSURE GAS.
LOCATION AND DEPTH UNKNOWN.
PROTECT IN PLACE

CAUTION!
20" HIGH PRESSURE GAS.
LOCATION AND DEPTH UNKNOWN.
PROTECT IN PLACE

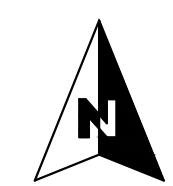
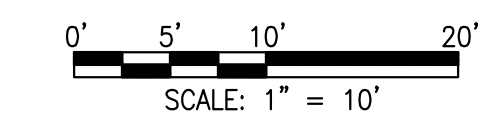
CAUTION!
20" HIGH PRESSURE GAS.
LOCATION AND DEPTH UNKNOWN.
PROTECT IN PLACE

NOTES:

1. THE ACCURATE LOCATION AND DEPTH OF THE 20" HIGH PRESSURE GAS IS NOT KNOWN. CONTRACTOR SHALL CONTACT SDG&E TO LOCATE AS REQUIRED FOR CONSTRUCTION PURPOSES.
2. CONTRACTOR SHALL FLAG ALIGNMENT OF THE 20" HIGH PRESSURE GAS LINE AND ONLY WORK WITHIN THE SDG&E EASEMENT IN THE PRESENCE OF AN SDG&E INSPECTOR.
3. IT IS NOT KNOWN IF THERE ARE OTHER UTILITIES IN THE CONSTRUCTION AREA. CONTRACTOR SHALL CONTACT UNDERGROUND SERVICE ALERT AND SDG&E TO LOCATE UTILITIES.
4. CONTRACTOR SHALL FLAG ALL LIMITS OF WORK AND PLACE EROSION CONTROL MEASURES BEFORE STARTING ANY CONSTRUCTION ACTIVITY.
5. CONTRACTOR SHALL MAINTAIN ALL EROSION CONTROL MEASURES AS REQUIRED TO PREVENT POLLUTED RUNOFF FROM LEAVING THE SITE.
6. CONTRACTOR SHALL NOT GRADE OR IMPACT THE VEGETATION OF ANY AREAS BEYOND THE LIMITS SHOWN HEREON.
7. THE CONTRACTOR IS ALLOWED TO PERFORM MINOR GRADING WITHIN THE LIMITS OF THE ACCESS DISTURBANCE AS NEEDED FOR CONSTRUCTION VEHICLE ACCESS.
8. CONTRACTOR SHALL DEWATER WATERCOURSE AS NECESSARY FOR CONSTRUCTION OF THE IMPROVEMENTS.
9. CONTRACTOR SHALL PROVIDE 1" = 200' SCALE PLAN OF THE PROPOSED ACCESS ROUTE AND STAGING AREAS TO BE USED FOR CONSTRUCTION.
10. IF REQUIRED, CONTRACTOR SHALL OBTAIN PERMISSION FROM CALTRANS FOR ACCESS THROUGH AND USE OF STATE ROUTE 52 ROUTE OF WAY.
11. CONTRACTOR SHALL NOT WILLFULLY PROCEED WITH CONSTRUCTION AS DESIGNED WHEN IT IS OBVIOUS THAT UNKNOWN OBSTRUCTIONS, AREA DISCREPANCIES AND/OR GRADE DIFFERENCES EXIST THAT MAY HAVE NOT BEEN KNOWN DURING DESIGN. SUCH CONDITIONS SHALL BE IMMEDIATELY BROUGHT TO THE ATTENTION OF THE AUTHORIZED OWNER'S REPRESENTATIVE. CONTRACTOR SHALL TAKE FULL RESPONSIBILITY FOR ANY COSTS, CONSTRUCTION DELAYS, OR REVISIONS DUE TO FAILURE TO GIVE SUCH NOTIFICATIONS.

100% SUBMITTAL
NOT FOR CONSTRUCTION

LOCATION OF
E.O.W. STAMP



REVISIONS

NO.	WORK DONE	DATE:	BY:	APP'D:	NO.	WORK DONE	DATE:	BY:	APP'D:	NO.	WORK DONE	DATE:	BY:	APP'D:	NO.	WORK DONE	DATE:	BY:	APP'D:	NO.	

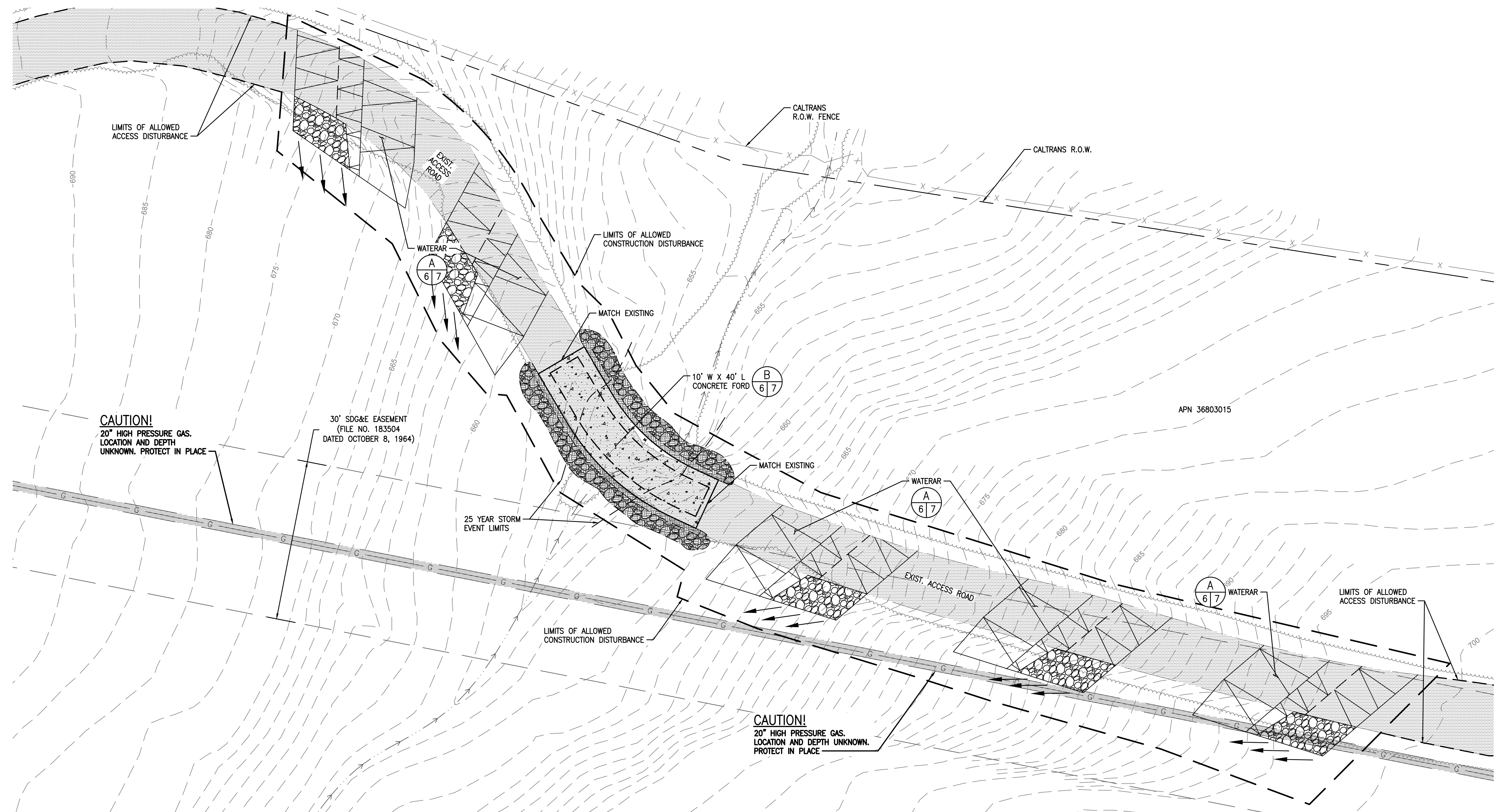
SAN DIEGO GAS & ELECTRIC COMPANY
SAN DIEGO, CALIFORNIA

SDG&E MISSION TRAILS
ACCESS ROAD IMPROVEMENTS

DRAWN BY:	GFC	DATE:	-	SCALE:	1" = 10'	W.O.:	-	REV.:	-
CHECKED BY:	DL	DATE:	-						
APPROVED BY:	-	DATE:	-						
CAD NO.:	-								

SHEET 5 OF 7
REPAIR AREAS E & F

U:\Projects\Jobs\2725013 SDGE Mission Trails\012 GIS & CAD\CIVIL\Area E and F.dwg Oct-27-2015:10:18



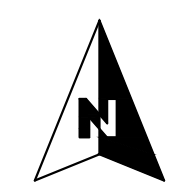
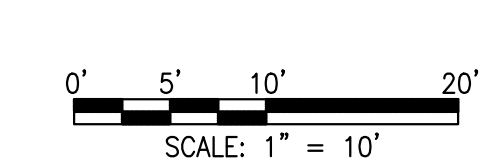
APN 36803015

NOTES:

1. THE ACCURATE LOCATION AND DEPTH OF THE 20" HIGH PRESSURE GAS IS NOT KNOWN. CONTRACTOR SHALL CONTACT SDG&E TO LOCATE AS REQUIRED FOR CONSTRUCTION PURPOSES.
2. CONTRACTOR SHALL FLAG ALIGNMENT OF THE 20" HIGH PRESSURE GAS LINE AND ONLY WORK WITHIN THE SDG&E EASEMENT IN THE PRESENCE OF AN SDG&E INSPECTOR.
3. IT IS NOT KNOWN IF THERE ARE OTHER UTILITIES IN THE CONSTRUCTION AREA. CONTRACTOR SHALL CONTACT UNDERGROUND SERVICE ALERT AND SDG&E TO LOCATE UTILITIES.
4. CONTRACTOR SHALL FLAG ALL LIMITS OF WORK AND PLACE EROSION CONTROL MEASURES BEFORE STARTING ANY CONSTRUCTION ACTIVITY.
5. CONTRACTOR SHALL MAINTAIN ALL EROSION CONTROL MEASURES AS REQUIRED TO PREVENT POLLUTED RUNOFF FROM LEAVING THE SITE.
6. CONTRACTOR SHALL NOT GRADE OR IMPACT THE VEGETATION OF ANY AREAS BEYOND THE LIMITS SHOWN HEREON.
7. THE CONTRACTOR IS ALLOWED TO PERFORM MINOR GRADING WITHIN THE LIMITS OF THE ACCESS DISTURBANCE AS NEEDED FOR CONSTRUCTION VEHICLE ACCESS.
8. CONTRACTOR SHALL DEWATER WATERCOURSE AS NECESSARY FOR CONSTRUCTION OF THE IMPROVEMENTS.
9. CONTRACTOR SHALL PROVIDE 1" = 200' SCALE PLAN OF THE PROPOSED ACCESS ROUTE AND STAGING AREAS TO BE USED FOR CONSTRUCTION.
10. IF REQUIRED, CONTRACTOR SHALL OBTAIN PERMISSION FROM CALTRANS FOR ACCESS THROUGH AND USE OF STATE ROUTE 52 ROUTE OF WAY.
11. CONTRACTOR SHALL NOT WILLFULLY PROCEED WITH CONSTRUCTION AS DESIGNED WHEN IT IS OBVIOUS THAT UNKNOWN OBSTRUCTIONS, AREA DISCREPANCIES AND/OR GRADE DIFFERENCES EXIST THAT MAY HAVE NOT BEEN KNOWN DURING DESIGN. SUCH CONDITIONS SHALL BE IMMEDIATELY BROUGHT TO THE ATTENTION OF THE AUTHORIZED OWNER'S REPRESENTATIVE. CONTRACTOR SHALL TAKE FULL RESPONSIBILITY FOR ANY COSTS, CONSTRUCTION DELAYS, OR REVISIONS DUE TO FAILURE TO GIVE SUCH NOTIFICATIONS.

100% SUBMITTAL
NOT FOR CONSTRUCTION

LOCATION OF
E.O.W. STAMP



REVISIONS

NO.	WORK DONE	DATE:	BY:	APP'D:	NO.	WORK DONE	DATE:	BY:	APP'D:	NO.	WORK DONE	DATE:	BY:	APP'D:	NO.	WORK DONE	DATE:	BY:	APP'D:	NO.	

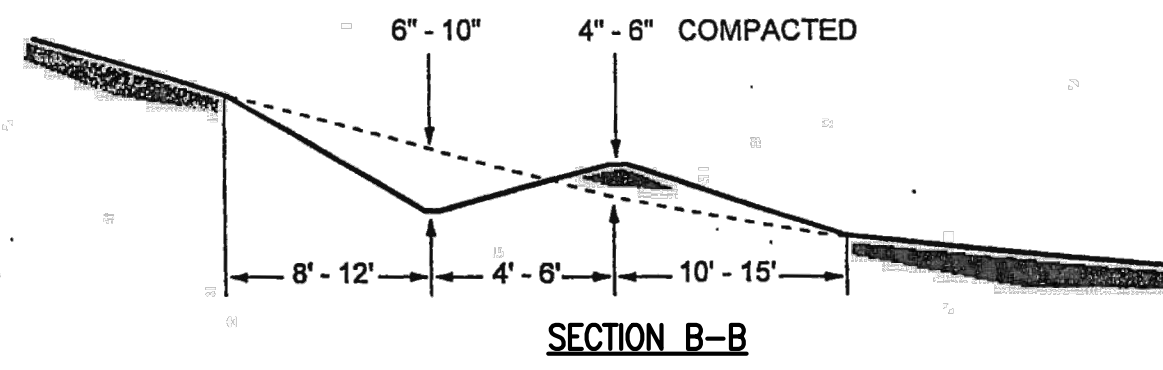
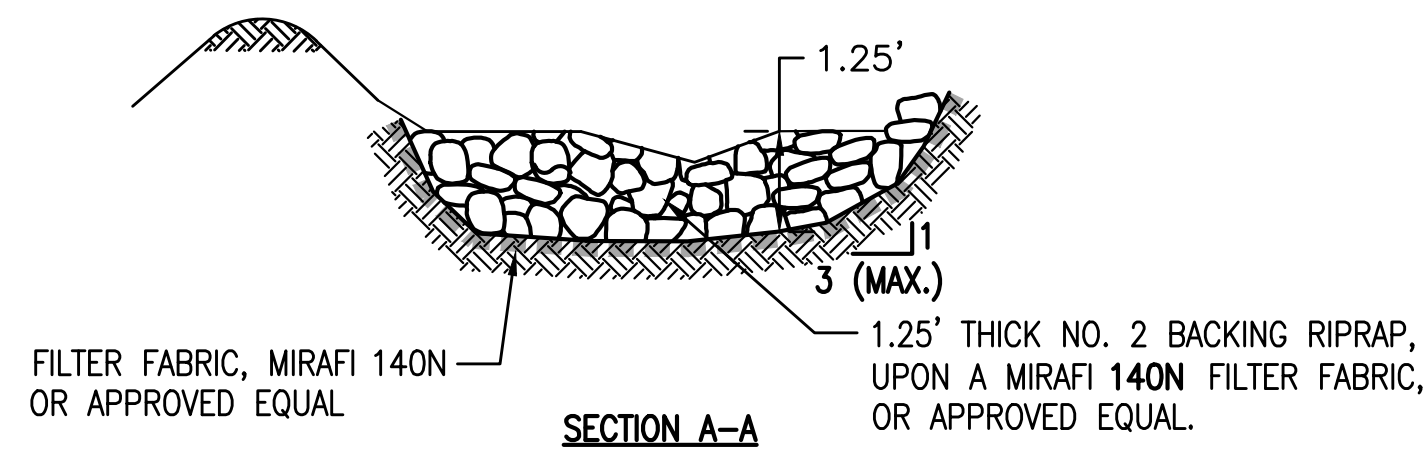
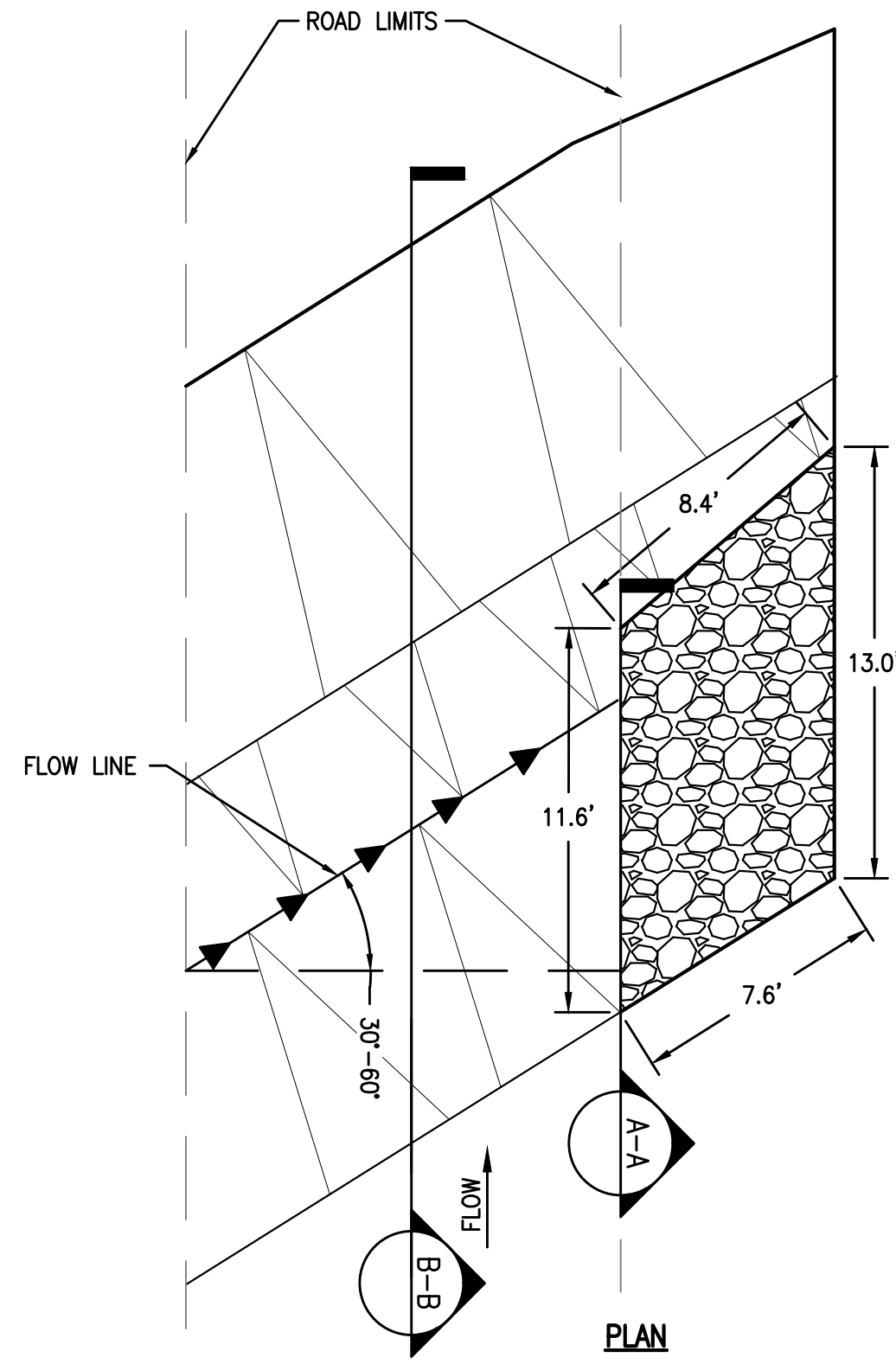
SAN DIEGO GAS & ELECTRIC COMPANY
SAN DIEGO, CALIFORNIA

SDG&E MISSION TRAILS
ACCESS ROAD IMPROVEMENTS

DRAWN BY: OFC DATE: - SCALE: 1" = 10' W.O.: - REV.: -
 CHECKED BY: DL DATE: -
 APPROVED BY: - DATE: - SHEET 6 OF 7
 CAD NO.: - PLOT SCALE: -

REPAIR AREA G

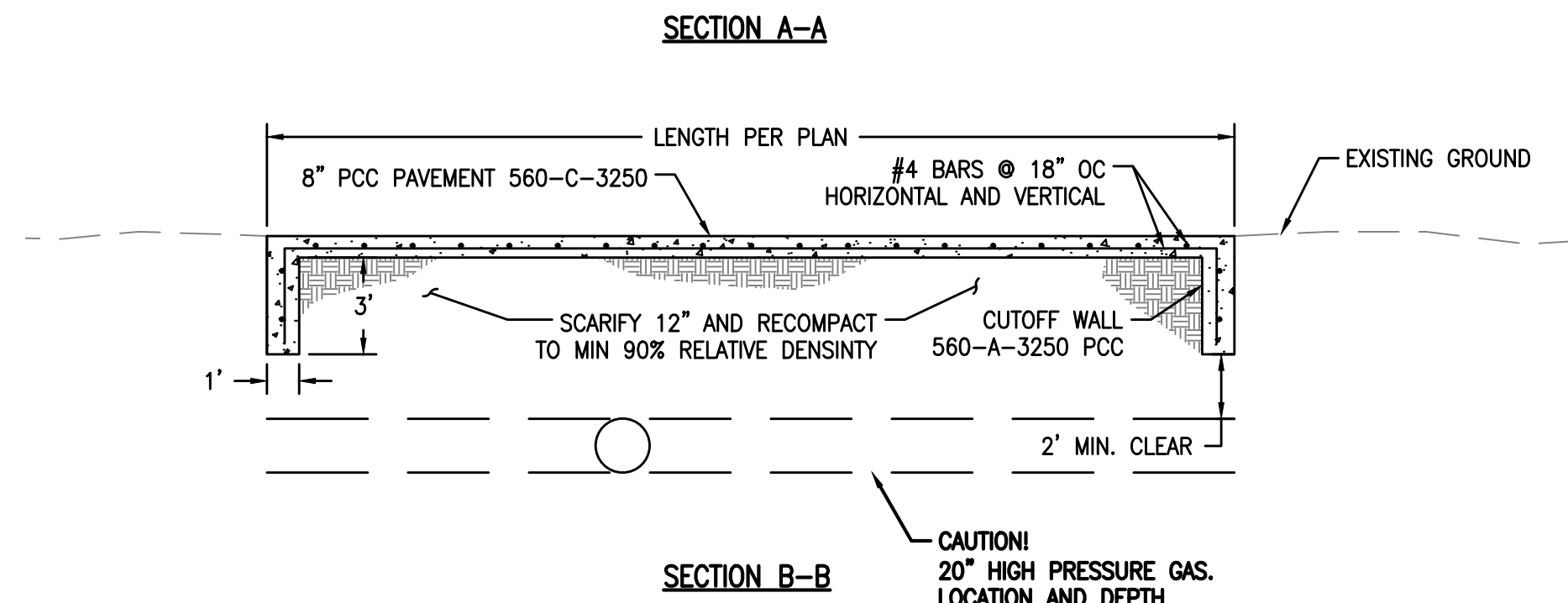
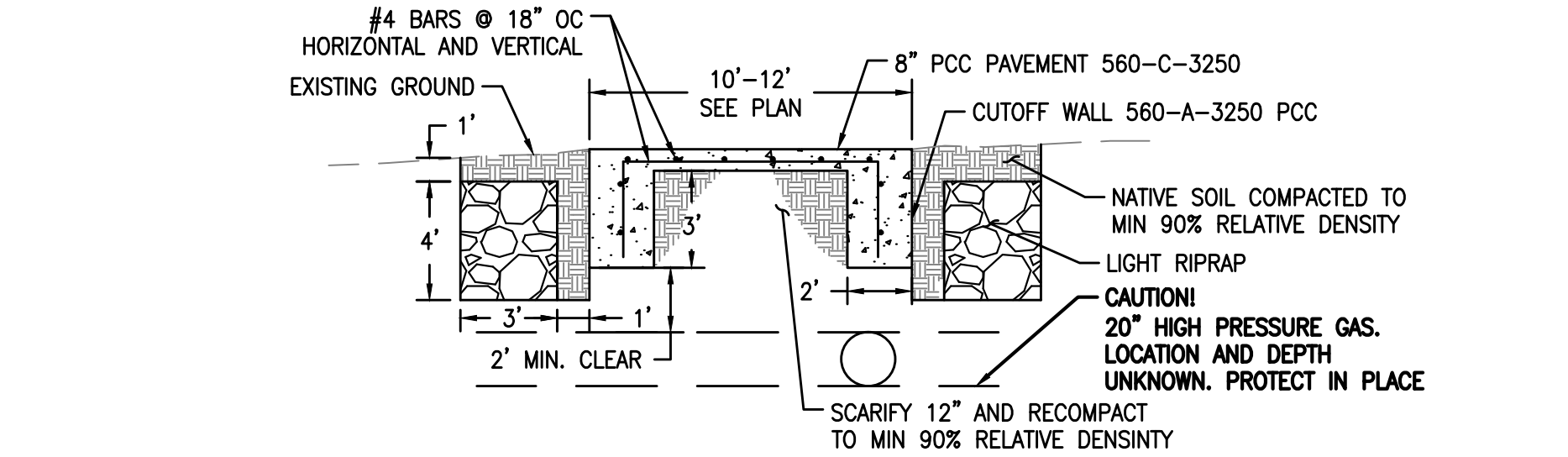
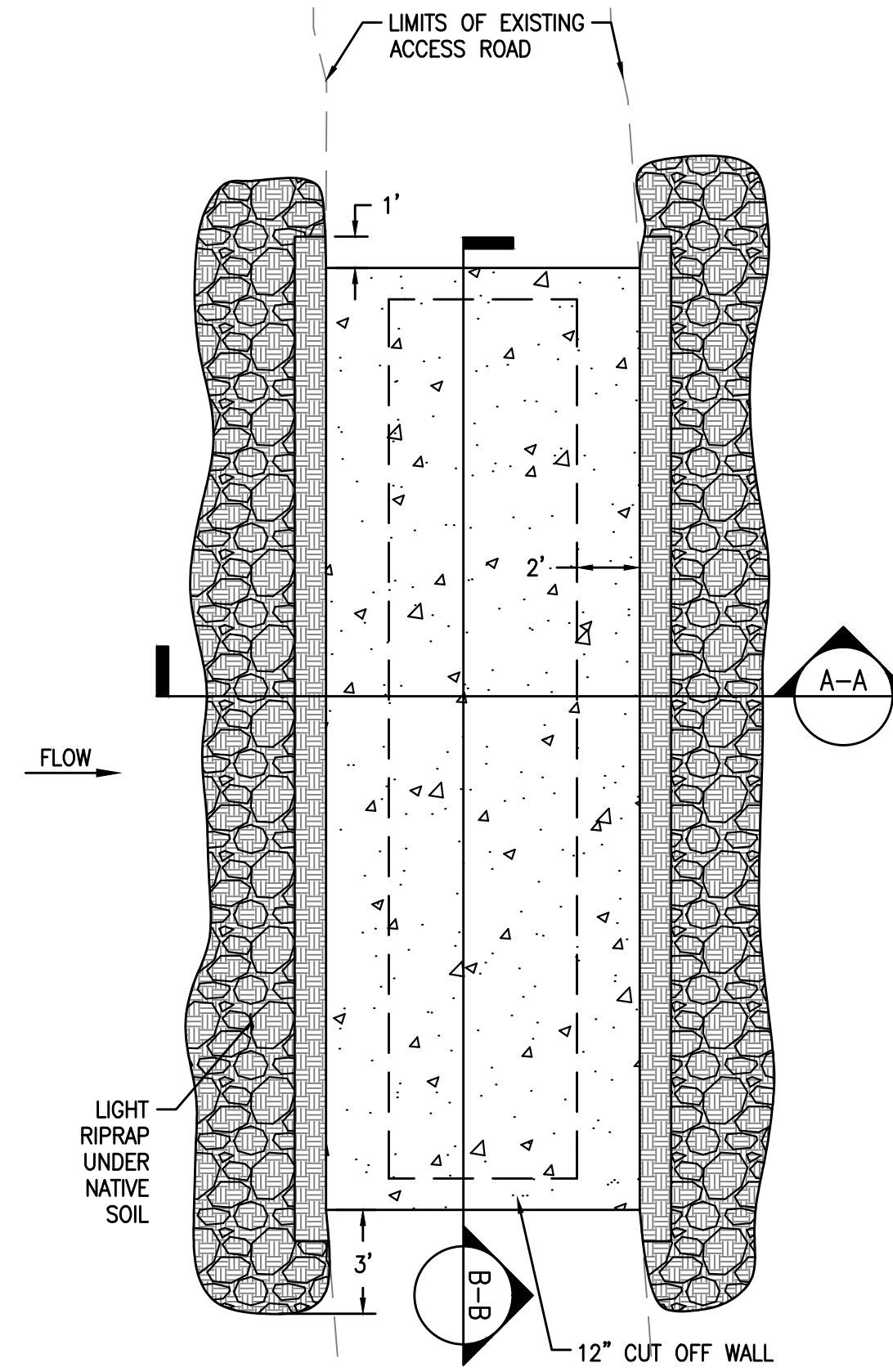
U:\Projects\Jobs\2725013 SDGE Mission Trails\012 GIS & CAD\Civil\Area C.dwg Oct-27-2015 10:18



- NOTES:
1. BLOCK DITCHLINE WITH EXCAVATED MATERIAL TO PREVENT DITCH WATER FROM BYPASSING WATERBAR.
 2. FOR ROAD GRADES OVER 10% THE CUT DEPTH AND BERM HEIGHTS SHOULD REACH MAXIMUM VALUES.
 3. WATERBARS SHALL BE SPACED APPROXIMATELY 45' INTERVALS.
 4. MAINTAIN A 3% OUTSLOPE ALONG THE FLOW LINE.

WATERBAR
NTS

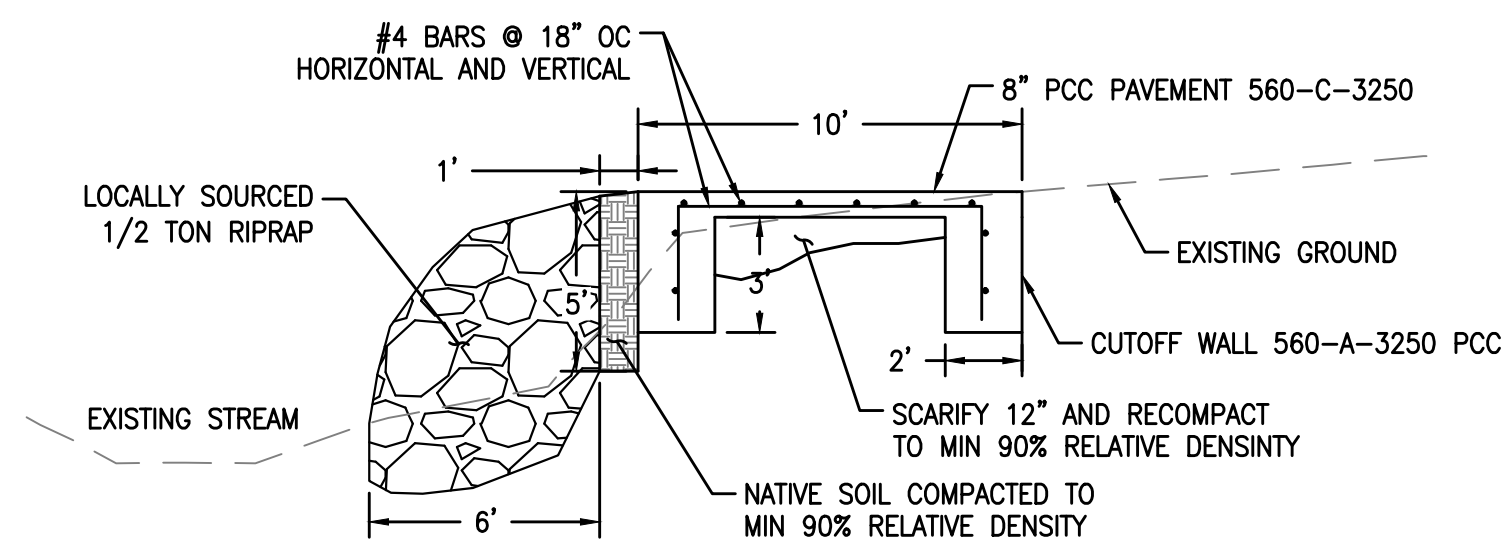
(A)



- NOTES:
1. SDGE HIGH PRESSURE GAS LINE CROSSES UNDER THE PROPOSED CONCRETE FORD AT REPAIR AREA A AND REPAIR AREA E & F.
 2. THE FINISHED SURFACE SHALL CONTAIN EXPOSED NATIVE ROCKS TO BE EMBEDDED NO LESS THAN 1/3 THE DIAMETER OF THE ROCK.
 3. ROCKS SHALL BE NO GREATER THAN 3 INCHES IN DIAMETER.
 4. THE EXPOSED ROCKS SHALL BE PLACED AS TO MATCH THE SURROUNDING TERRAIN.
 5. THE EXPOSED CONCRETE SURFACE SHALL BE COLORED AS TO MATCH THE SURROUNDING TERRAIN. SAMPLE TO BE APPROVED BY RESIDENT ENGINEER PER GREENBOOK SPECIFICATION 300-7.1.
 6. CONCRETE SHALL BE SCORED TO A DEPTH OF APPROXIMATELY 1/2 INCH AS PROVIDED IN THE SPECIAL PROVISIONS.

TYPICAL CONCRETE FORD
NTS

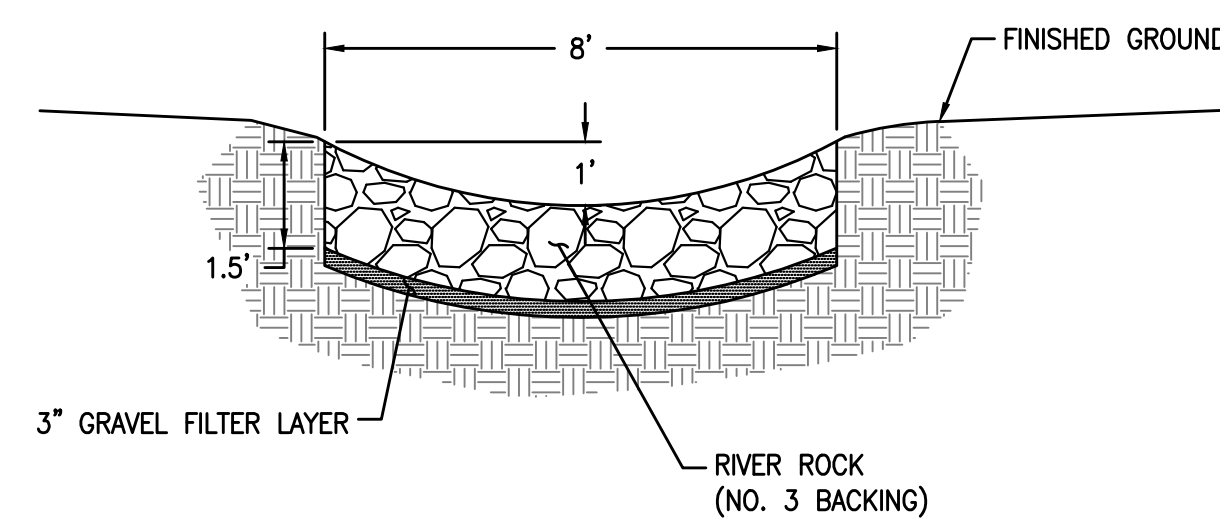
(B)



- NOTES:
1. THE FINISHED SURFACE SHALL CONTAIN EXPOSED NATIVE ROCKS TO BE EMBEDDED NO LESS THAN 1/3 THE DIAMETER OF THE ROCK.
 2. THE EXPOSED ROCKS SHALL BE PLACED AS TO MATCH THE SURROUNDING TERRAIN.
 3. ROCKS SHALL BE NO GREATER THAN 3 INCHES IN DIAMETER.
 4. THE EXPOSED CONCRETE SURFACE SHALL BE COLORED AS TO MATCH THE SURROUNDING TERRAIN. SAMPLE TO BE APPROVED BY RESIDENT ENGINEER PER GREENBOOK SPECIFICATION 303-7.1.
 5. CONCRETE SHALL BE SCORED TO A DEPTH OF APPROXIMATELY 1/2 INCH AS PROVIDED IN THE SPECIFICATIONS.

REINFORCED SLOPE
NTS

(C)



ROCK LINED SWALE
NTS

(D)

100% SUBMITTAL
NOT FOR CONSTRUCTION

LOCATION OF
E.O.W. STAMP



REVISIONS

NO.	WORK DONE	DATE:	BY:	APP'D:	NO.	WORK DONE	DATE:	BY:	APP'D:	NO.	WORK DONE	DATE:	BY:	APP'D:	NO.	WORK DONE	DATE:	BY:	APP'D:	NO.	

SAN DIEGO GAS & ELECTRIC COMPANY
SAN DIEGO, CALIFORNIA

SDG&E MISSION TRAILS
ACCESS ROAD IMPROVEMENTS

DRAWN BY: GFC	DATE: -	SCALE: AS SHOWN	W.O.: -	REV: -
CHECKED BY: DL	DATE: -			
APPROVED BY: -	DATE: -	SHEET 7 OF 7		
CAD NO: -		PLOT SCALE: -		

DETAILS