



Central Valley Regional Water Quality Control Board

20 October 2021

Talle Lopez
Director of Environmental Affairs
California Water Service
1720 North First Street
San Jose, CA 95112-458

VIA EMAIL
TLOPEZ@CALWATER.COM

CERTIFIED MAIL
7020 0640 0002 1958 6833

NOTICE OF APPLICABILITY (NOA); GENERAL WASTE DISCHARGE REQUIREMENTS ORDER R5-2016-0076-01 FOR LIMITED THREAT DISCHARGES TO SURFACE WATER; CALIFORNIA WATER SERVICE, VISALIA DISTRICT STATIONS 32-01 AND 82-01, TULARE COUNTY

Our office received a Notice of Intent on 8 April 2020 and additional information on 30 October 2020 from California Water Service, Visalia District (hereinafter Discharger), for discharge of filtered backwash water to surface water. Based on the application packet submitted by the Discharger, staff has determined that the project meets the required conditions for approval under the General Order for Limited Threat Discharges to Surface Water (Limited Threat General Order), Tier 1A. This project is hereby assigned Limited Threat General Order R5-2016-0076-071 and National Pollutant Discharge Elimination System (NPDES) Permit No. CAG995002. Please reference your Limited Threat General Order number, **R5-2016-0076-071**, in your correspondence and submitted documents.

The project activities shall be operated in accordance with the requirements contained in the Limited Threat General Order and as specified in this NOA. You are urged to familiarize yourself with the entire contents of the enclosed [Limited Threat General Order](#) (https://www.waterboards.ca.gov/centralvalley/board_decisions/adopted_orders/general_orders/r5-2016-0076-01.pdf).

CALIFORNIA TOXICS RULE / STATE IMPLEMENTATION POLICY MONITORING

The Limited Threat General Order incorporates the requirements of the California Toxics Rule (CTR) and the State Water Resources Control Board's (State Water Board), *Policy for Implementation of Toxics Standards for Inland Surface Waters, Enclosed Bays, and Estuaries of California*, 2005, also known as the State Implementation Policy (SIP). Screening levels for CTR constituents and other

constituents of concern are found in Attachment I of the Limited Threat General Order. Review of your water quality data in comparison to the screening values, showed no reasonable potential for the discharge to cause or contribute to an exceedance of water quality objectives in Evans Ditch, a part of the City of Visalia's Municipal Separate Storm Water System (MS4).

PROJECT DESCRIPTION

Well Stations 32-01 and 82-01 are at 2650 S. Woodland Street and 1303 South Golden Street, respectively. The Discharger has installed granular activated carbon vessels (GAC) to remove 1,2,3-Trichloropropane from groundwater for drinking water consumption from wells in the City of Visalia. The Discharger anticipates sand from wellbores will eventually accumulate between the carbon particles in the GAC and reduce the effectiveness of the treatment system. The discharge is expected to be clean or relatively pollutant-free filtered backwash water that poses little or no threat to water quality with a discharge volume of less than 0.25 million gallons per day (mgd). The backwash water will be discharged to the City of Visalia storm drains which eventually drain to Evans Ditch.

The Discharger expects sediment, calcium, and biofilm accumulation between the carbon particles in the GAC to reduce the effectiveness of the treatment systems, requiring periodic backwashing of the vessels. The Discharger will use treated drinking water from its distribution system to backwash the GAC. The GAC systems at Stations 32-01 and 82-01 consist of two vessels, one lead and one lag vessel. Most of the accumulation is expected to occur in the lead vessel.

The discharge duration will be approximately 45 minutes per station; however, the duration may be adjusted based on the backwash effectiveness in improving hydraulic flow. The Discharger expects each GAC system will require backwashing at a frequency of once every one to two years; the discharge volume is estimated to be approximately 37,440 gallons per GAC system. The daily operation consists of well water entering from the top of the GAC and flow downward. Periodically, the treated water from the distribution system will be pumped in reverse to clean the GAC vessels. The backwash water will flow via hose to a bed of sacrificial carbon inside a Calgon carbon truck. Other than potentially chlorine and sediment, the Discharger does not expect the backwash to contain any pollutants requiring treatment, however, the sacrificial carbon will be a precautionary measure to polish the discharge and to recover any carbon fines.

The Discharger plans to implement best management practices (BMPs) for dechlorination and sediment removal, including use of settling tanks and sweeping the flow path between the well stations and the storm drain inlets. Additional BMPs include, straw wattles, gravel bags, and inlet filters or a filter fabric over the storm drain inlet to control turbidity.

For the purposes of this Limited Threat General Order enrollment, discharge from Well Station 32-01 is considered Discharge Point 001 and discharge from Well Station 82-01 is considered Discharge Point 002.

EFFLUENT LIMITATIONS

Effluent limitations are specified in Section V. Effluent Limitations and Discharge Specifications of the Limited Threat General Order. Based on the information provided in the NOI, effluent limitations for both Discharge Point 001 and Discharge Point 002 are only required for the parameters identified in items 1-3 below:

- 1. Flow (Section V.A.1.a).** The total volume of discharge per backflush event at each station shall not exceed 0.10 million gallons.
- 2. pH (Section V.A.1.b.iii).** The pH of all limited threat discharges within the Tulare Lake Basin shall at all times be within the range of 6.5 and 8.3.
- 3. Total Residual Chlorine (Section V.A.1.e, Table 4).** Total residual chlorine shall not exceed a maximum daily of 0.02 mg/L.

RECEIVING WATER LIMITATIONS

The Limited Threat General Order includes receiving surface water limitations in Section VIII.A. Based on the information provided in the NOI, only the following receiving surface water limitations are applicable to this discharge:

- Un-ionized Ammonia (VIII.A.1)
- Biostimulatory substances (VIII.A.3);
- Chemical constituents (VIII.A.4);
- Color (VIII.A.5);
- Dissolved oxygen (VIII.A.6.a. i, ii, iii);
- Floating material (VIII.A.7);
- Oil and grease (VIII.A.8);
- pH (VIII.A.9.c);
- Pesticides (VIII.A.10. a, b, c);
- Radioactivity (VIII.A.11);
- Suspended sediments (VIII.A.12);
- Settleable substances (VIII.A.13);
- Suspended material (VIII.A.14);
- Taste and odors (VIII.A.15);
- Temperature (VIII.A.16.a);
- Toxicity (VIII.A.17); and
- Turbidity (VIII.A.18.b).

MONITORING AND REPORTING

Monitoring and reporting requirements are contained in Attachment C of the Limited Threat General Order. The Discharger is required to comply with the following specific monitoring and reporting requirements for the effluent in accordance with Attachment C of the Limited Threat General Order.

Monitoring Locations – The Discharger shall monitor the effluent at the specified location as follows:

Table 1. Monitoring Station Locations

Discharge Point Name	Monitoring Location Name	Monitoring Location Description
001 (Station 32-01)	EFF-001	A location where a representative sample of the effluent at Station 32-01 can be collected prior to discharging to the storm drain inlet.
002 (Station 82-01)	EFF-002	A location where a representative sample of the effluent at Station 82-01 can be collected prior to discharging to the storm drain inlet.

Effluent Monitoring – When discharging at Discharge Point 001 or Discharge Point 002, the Discharger shall monitor the effluent at EFF-001 and EFF-002 in accordance with Table C-3 of the Limited Threat General Order and this NOA. The applicable monitoring requirements are as follows in Table 2 and subsequent Table 2 Notes:

Table 2. Effluent Monitoring Requirements

Parameter	Units	Sample Type	Minimum Sampling Frequency
Volume, Total	Million Gallons (MG)	Estimate/Meter	Each backflush event
Electrical Conductivity @ 25 °C	µmhos/cm	Grab	Once each backflush event
pH	standard units	Grab	Once each backflush event
Turbidity	NTU	Grab	Once each backflush event
Chlorine, Total Residual	mg/L	Grab	Once each backflush event

Table 2 Notes

- 1. Electrical conductivity, pH, and turbidity.** A hand-held field meter may be used, provided the meter utilizes a U.S. EPA-approved algorithm/method and is calibrated and maintained in accordance with the manufacturer's instructions. A calibration and maintenance log for each meter used for monitoring required by this Monitoring and

Reporting Program shall be maintained at the Facility.

2. **All parameters, except flow.** Pollutants shall be analyzed using the analytical methods described in 40 C.F.R. part 136 or by methods approved by the Central Valley Water Board or the State Water Board.
3. **Total chlorine residual.** Shall be monitored with a method sensitive to and accurate at a reporting level (RL) of 0.08 mg/L.

Receiving Water Monitoring - Not required. Backwash from Stations 32-01 and 82-01 will discharge to the City of Visalia’s storm water system, which can contain runoff from other parts of the city prior to reaching the receiving water (Evans Ditch). Receiving water monitoring would reflect the effects of combined discharges and would not necessarily represent the effects of the discharge covered under this NOA.

Monitoring Report Submittals - Monitoring in accordance with the Limited Threat General Order shall begin upon initiation of discharge. Monitoring Reports shall be submitted to the Central Valley Water Board on an annual basis, beginning with the annual report for the monitoring period ending on 31 December 2021. This report shall be submitted by **1 February 2022**. All Monitoring Reports shall specify the dates during the monitoring period the discharge did or did not occur. If monitoring samples were not obtained within 24 hours of initiation of the discharge, the Discharger must document the reasons in the corresponding Monitoring Report. If treatment and discharge has not begun, there is no need to monitor. However, a certified Monitoring Report must be submitted stating that there has been no discharge. Table 3, below, summarizes the Monitoring Report due date required under the Limited Threat General Order. Annual Monitoring Reports must be submitted until your coverage is formally terminated in accordance with the Limited Threat General Order, even if there is no discharge during the reporting period.

Table 3. Monitoring Periods and Reporting Schedule

Monitoring Period for All Sampling Frequencies	Annual Report Due Date
January 1 through December 31	1 February of the following year

GENERAL INFORMATION AND REQUIREMENTS

The Discharger must notify Central Valley Water Board staff within 24 hours of 1) the start of each new discharge and 2) having knowledge of noncompliance. The Central Valley Water Board shall be notified immediately if any effluent limit violation is observed during implementation of the project.

Discharge of material other than what is described in the application is prohibited. The required annual fee (as specified in the annual invoice you will receive from the State Water Resources Control Board) shall be submitted until this NOA is officially terminated. You must notify this office in writing when the discharge regulated by the Limited Threat General Order is no longer necessary by submitting the Request for Termination of Coverage (Attachment E). If a timely written request is not received, the

Discharger will be required to pay additional annual fees as determined by the State Water Resources Control Board.

ENFORCEMENT

Failure to comply with the Limited Threat General Order may result in enforcement actions, which could include civil liability. Effluent limitation violations are subject to a Mandatory Minimum Penalty (MMP) of \$3,000 per violation. In addition, late Monitoring Reports may be subject to MMPs or discretionary penalties of up to \$1,000 per day late. When discharges do not occur during an annual monitoring period, the Discharger must still submit an annual certified Monitoring Report indicating that no discharge occurred to avoid being subject to enforcement actions.

COMMUNICATION

All notification of non-compliance and questions regarding compliance and enforcement shall be directed to Hossein Aghazeynali of the Central Valley Water Board's NPDES Compliance and Enforcement Unit. Mr. Aghazeynali can be reached at (559) 445-6194 or by email at Hossein.Aghazeynali@waterboards.ca.gov.

Questions regarding the permitting aspects of this NOA, and written notification for termination of coverage under the Limited Threat General Order, shall be directed to Lovdeep Singh of the Central Valley Water Board's NPDES Permitting Unit. Mr. Singh can be reached at (559) 445-5130 or by email at Lovdeep.Singh@waterboards.ca.gov.

We have transitioned to a paperless office; therefore, please convert all documents to a searchable Portable Document Format (pdf) and email them to centralvalleyfresno@waterboards.ca.gov. All documents, including Monitoring Reports, written notifications, and documents submitted to comply with this NOA and the Limited Threat General Order, shall be directed, via the paperless office system, to the NPDES Compliance and Enforcement Unit. Please include the following information in the body of the email:

- Attention: NPDES Compliance and Enforcement Section
- Discharger: California Water Service, Visalia District
- Facility: Stations 32-01 and 82-01
- County: Tulare County
- CIWQS place ID: 876939

Documents that are 50 megabytes or larger must be transferred to a DVD, or flash drive and mailed to our office, attention "ECM Mailroom-NPDES".

Any person aggrieved by this action of the Central Valley Water Board may petition the State Water Board to review the action in accordance with California Water Code section 13320 and California Code of Regulations, title 23, sections 2050 and following. The State Water Board must receive the petition by 5:00 p.m., 30 days after the date of this NOA, except that if the thirtieth day following the date of this Order falls on a Saturday, Sunday, or state holiday, the petition must be received by the State Water Board by 5:00 p.m. on the next business day. Links to the law and regulations

applicable to filing petitions may be found on the [Petitions Home Page](http://www.waterboards.ca.gov/public_notices/petitions/water_quality)
(http://www.waterboards.ca.gov/public_notices/petitions/water_quality) or will be
provided upon request.

Original Signed by Clay L. Rodgers for:
Patrick Pulupa
Executive Officer

Attachments: Attachment A - Project Location Maps
 Attachment B – Backwash Flow Schematic

cc's: Peter Kozelka, U.S. EPA, Region IX, San Francisco (email only)
Elizabeth Sablad, U.S. EPA, Region IX, San Francisco (email only)
Division of Water Quality, State Water Board, Sacramento (email only)
James Marshall, Central Valley Water Board, Rancho Cordova (email only)
Nicholas Mascia, City of Visalia Public Works Director
 (via email at nick.mascia@visalia.city)
Sarah Torres, PG Environmental (via email at icis-npdes@pgeenv.com)
Mark Bloom, Cal Water Service (via email at mabloom@calwater.com)
Neil McQueen, McQueen Environmental Consulting
 (via email at nmcqueen@calwater.com)

ATTACHMENT A – PROJECT LOCATION MAP



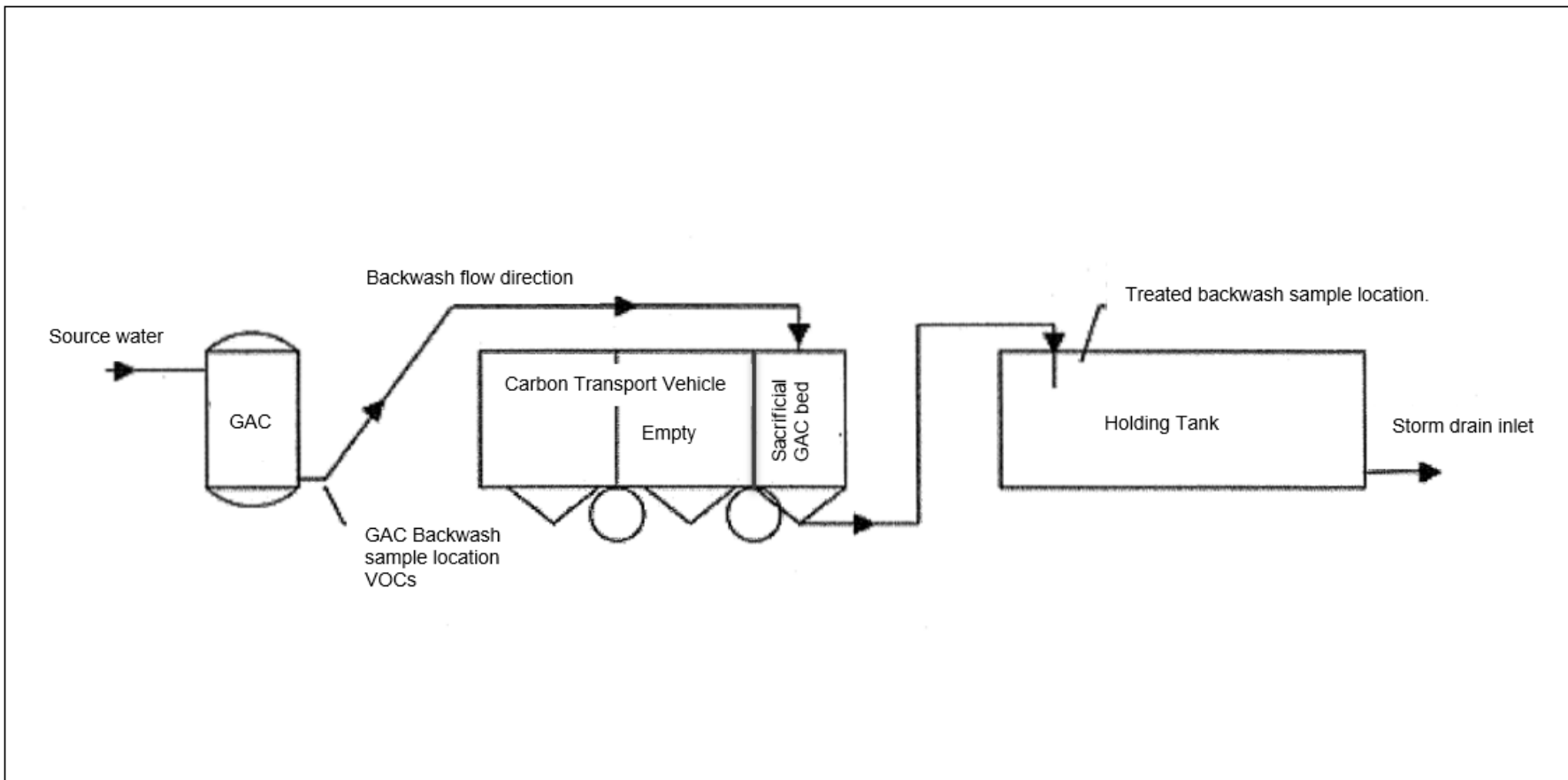


California Water Service
Visalia District
Station 82-01



California Water Service
Visalia District
Receiving Water Outfall for Station 82-01

Attachment B – GAC Backwash Flow



California Water Service
Visalia District
Backwash Flow Schematic