



31 January 2021

Laurie D. Triano, General Manager
The Oaks Community Association
5607 Jackson Valley Road
Ione, CA 95640

CERTIFIED MAIL
7019 2280 0001 9243 7900

NOTICE OF APPLICABILITY

**GENERAL WASTE DISCHARGE REQUIREMENTS FOR
SMALL DOMESTIC WASTEWATER TREATMENT SYSTEMS
ORDER WQ 2014-0153-DWQ
FOR
THE OAKS COMMUNITY ASSOCIATION
WASTEWATER TREATMENT FACILITY
AMADOR COUNTY**

On 2 March 2020, the Oaks Community Association (hereafter Discharger) submitted a letter requesting to obtain coverage under the State Water Resources Control Board (State Water Board) General Waste Discharge Requirements for Small Domestic Wastewater Treatment Systems, Order WQ 2014-0153-DWQ (General Order). This Notice of Applicability (NOA) provides notice that the General Order is applicable to the site as described below. You are hereby assigned Order WQ 2014-0153-DWQ-R5343 for the discharge. After Waste Discharge Requirements (WDRs) Order 92-080 has been rescinded, coverage under General Order 2014-0153-DWQ will become effective. A copy of the [General Order](#) is enclosed and also available at:

(http://www.waterboards.ca.gov/board_decisions/adopted_orders/water_quality/2014/wqo2014_0153_dwq.pdf)

You should familiarize yourself with the entire General Order and its attachments, which describe mandatory discharge and monitoring requirements. The General Order contains operational and reporting requirements by wastewater system type. Sampling, monitoring, and reporting requirements applicable to your treatment and disposal methods must be completed in accordance with the appropriate treatment system sections of the General Order and the attached Monitoring and Reporting Program (MRP) WQ 2014-0153-DWQ-R5343. The Discharger is responsible for all the applicable requirements that exist in the General Order and this NOA.

KARL E. LONGLEY SCD, P.E., CHAIR | PATRICK PULUPA, ESQ., EXECUTIVE OFFICER

11020 Sun Center Drive #200, Rancho Cordova, CA 95670 | www.waterboards.ca.gov/centralvalley

EXISTING FACILITY AND DISCHARGE DESCRIPTION

The Oaks Community Association Wastewater Treatment Facility (WWTF) is located at 5607 Jackson Valley Road, Lone, in Amador County as shown on attachment A, which is incorporated herein. The WWTF is owned and operated by the Discharger.

The WWTF provides wastewater treatment and disposal service for the Oaks Community and nearby business and unincorporated neighbors. Currently there are approximately 210 residential units connected to the sewer collection system. The annual flow is approximately 12.5 MG with an average daily flow of 34,000 gallons per day (gpd).

The WWTF consists of three clay lined ponds and 11 acres of Land Application Areas (LAAs). Undisinfected treated water is applied to the LAAs via sprinklers. The site plan and process schematic are shown on Attachments B and C, respectively, which are incorporated herein.

SITE-SPECIFIC REQUIREMENTS

The Discharger shall comply with all applicable sections in the General Order, including:

1. Requirements A. Prohibitions
2. Requirements B.1.a.

The Discharger shall comply with the following flow limit: The influent flow entering the WWTF shall not exceed 0.06 MGD as a month average.

3. Requirements B.1.b. through B.1.l

For Section B.1.l, the Discharger shall comply with the following setback requirements listed in in Table 3 of the General Order:

Equipment or Activity	Domestic Well	Flowing Stream	Ephemeral Stream Drainage	Property Line	Lake or Reservoir
Septic Tank, Aerobic Treatment Unit, Treatment System, or Collection System	150 ft.	50 ft.	50 ft.	5 ft.	200 ft.
LAA	150 ft.	100 ft.	100 ft.	50 ft.	200 ft.
Impoundment	150 ft.	150 ft.	150 ft.	50 ft.	200 ft.

4. Requirements B.5 Pond Systems
5. Requirements B.7 Land Application Systems
6. Requirements B.8 Sludge/Solids/Biosolids Disposal
7. Requirements C. Groundwater and Surface Water Limitations

8. Requirements D. Effluent Limitations

D.1.a. Effluent discharged to the LAAs shall not exceed BOD₅ of 40 mg/L as a monthly average and 80 mg/L as a daily maximum.

9. Provision E.2 and E.3

MONITORING AND REPORTING PROGRAM

Upon activation of this NOA, the Discharger shall comply with MRP WQ 2014-0153-DWQ-R5343, which is incorporated herein.

ENFORCEMENT

Please review this NOA carefully to ensure that it completely and accurately reflects the discharge. Discharge of wastes other than those described in this NOA is prohibited. Prior to allowing changes to the wastewater strength, generation rate, or to the method of waste disposal, you must contact the Central Valley Water Board to determine if submittal of a Report Waste Discharge is required.

The Discharger generates the waste subject to the terms and conditions of Water Quality Order WQ 2014-0153-DWQ-R5343 and maintains exclusive control over the discharge. As such, the Oaks Community is primarily responsible for compliance with this NOA, MRP, and General Order, with all attachments. Failure to comply with the requirements in the General Order or this NOA could result in an enforcement action as authorized by provisions of the California Water Code.

DOCUMENT SUBMITTAL

All monitoring reports and other correspondence should be converted to searchable Portable Document Format (PDF) and submitted electronically. Documents that are less than 50 MB should be emailed to:

centralvalleysacramento@waterboards.ca.gov.

To ensure that your submittal is routed to the appropriate staff person, the following information should be included in the body of the email or any documentation submitted to the mailing address for this office:

Facility Name: The Oaks Community Association Wastewater Treatment Facility
Program: Non-15 Compliance
Order: WQ 2014-0153-DWQ-R5343
CIWQS Place ID: CW-263469

Documents that are 50 MB or larger should be transferred to a CD, DVD, or flash drive and mailed to:

Central Valley Regional Water Quality Control Board
ECM Mailroom
11020 Sun Center Drive, Suite 200
Rancho Cordova, CA 95670

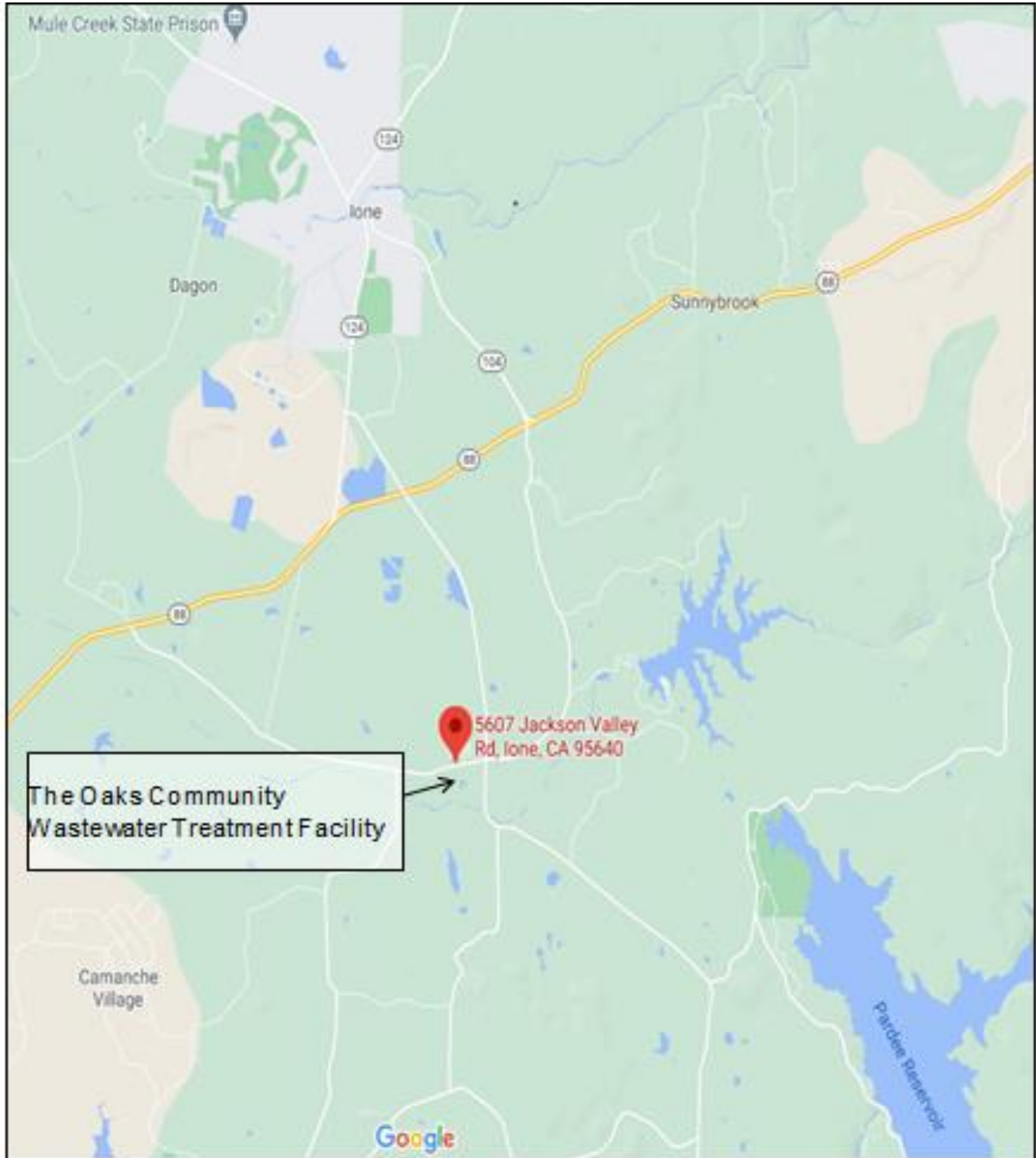
Now that the NOA has been issued, the Board's Compliance and Enforcement section will take over management of your case. Kenny Croyle is your new point of contact for any questions about the Waiver. If you find it necessary to make a change to your permitted operations, Kenny will direct you to the appropriate Permitting staff. You may contact Kenny at (916) 464-4676 or at kcroyle@waterboards.ca.gov.



for Patrick Pulupa
Executive Officer

Enclosure: Water Quality Order WQ 2014-0153-DWQ
Monitoring and Reporting Program WQ 2014-0153-DWQ-R5343
Attachment A, Site Location Map
Attachment B, Site Plan
Attachment C, Process Schematic

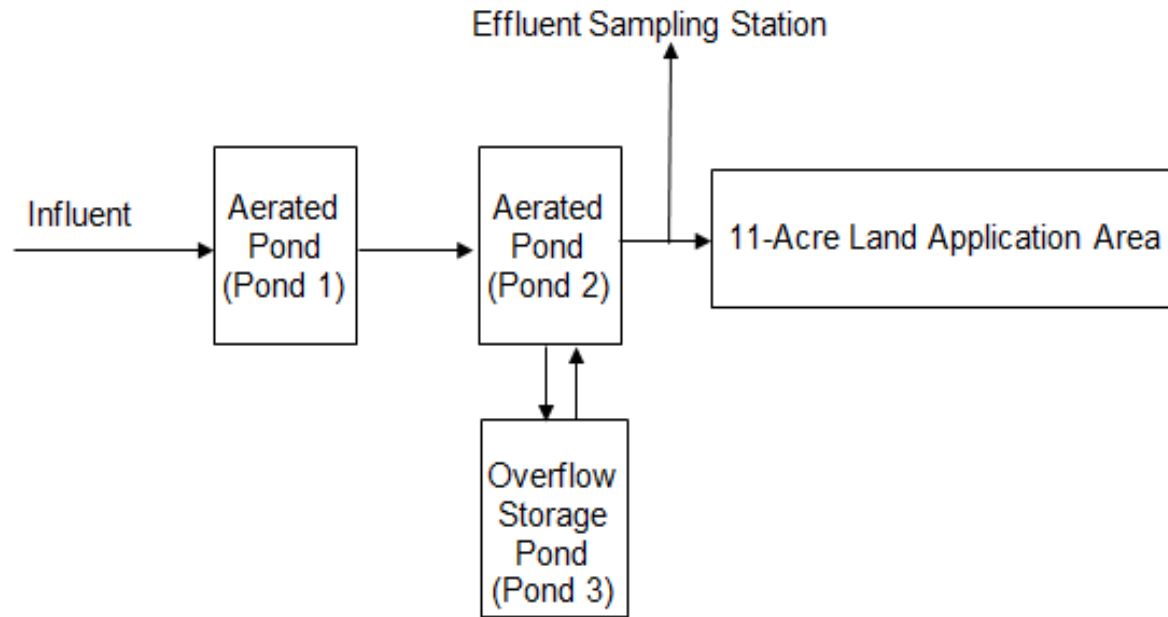
cc w/out enc: Michael Israel, Amador County Environmental Health Department



<p>Drawing Reference: Google map</p>	<p>SITE LOCATION MAP</p> <p>THE OAKS COMMUNITY ASSOCIATION WASTEWATER TREATMENT FACILITY AMADOR COUNTY</p>	<p>No Scale</p>
------------------------------------------	----------------------------------------------------------------------------------------------------------------------------------	---------------------



<p>Drawing Reference: The Oaks Community Association, Application of the General Order, March 2020</p>	<p style="text-align: center;">SITE PLAN THE OAKS COMMUNITY ASSOCIATION WASTEWATER TREATMENT FACILITY AMADOR COUNTY</p>	<p style="text-align: center;">No Scale</p>
------------------------------------------------------------------------------------------------------------	-----------------------------------------------------------------------------------------------------------------------------------------------------------------	---------------------------------------------



Drawing Reference:

The Oaks Community Association,
General Order Application, March 2020

PROCESS SCHEMATIC

**THE OAKS COMMUNITY ASSOCIATION
WASTEWATER TREATMENT FACILITY
AMADOR COUNTY**