

**CALIFORNIA REGIONAL WATER QUALITY CONTROL BOARD  
CENTRAL COAST REGION  
895 Aerovista Place, Suite 101, San Luis Obispo, California 93401**

**ORDER NO. R3-2022-0003  
NPDES NO. CA0047961**

**WASTE DISCHARGE REQUIREMENTS  
FOR THE SAN SIMEON WASTEWATER TREATMENT PLANT  
DISCHARGE TO THE PACIFIC OCEAN**

The following Discharger is subject to waste discharge requirements (WDRs) set forth in this Order:

Discharger	San Simeon Community Services District
Name of Facility	San Simeon Wastewater Treatment Plant
Facility Address	9245 Balboa Ave San Simeon, CA 93452 San Luis Obispo County

**Table 1. Discharge Location**

<b>Discharge Point</b>	<b>Effluent Description</b>	<b>Discharge Point Latitude (North)</b>	<b>Discharge Point Longitude (West)</b>	<b>Receiving Water</b>
001	Secondary Treated Domestic Wastewater and Hauled Saline Waste Wastes	35° 36' 32" N	121° 09' 05" W	Pacific Ocean <sup>1</sup>
002	Tertiary Treated Domestic Wastewater	--	--	Discharge to Land for irrigation purposes

This Order was adopted on:  
This Order shall become effective on:  
This Order shall expire on:

**February 17, 2022  
May 1, 2022  
April 30, 2027**

The Discharger must file a report of waste discharge as an application for reissuance of WDRs in accordance with title 23, California Code of Regulations and an application for reissuance of a National Pollutant Discharge Elimination System (NPDES) permit no later than **November 1, 2026**. The U.S. Environmental Protection Agency (U.S. EPA)

---

<sup>1</sup> Discharge location is within the Monterey Bay Marine Sanctuary

and the California Regional Water Quality Control Board, Central Coast Region have classified this discharge as follows: Minor.

I, Matthew T. Keeling, Executive Officer, do hereby certify that this Order with all attachments is a full, true, and correct copy of an order adopted by the California Regional Water Quality Control Board, Central Coast Region on the date indicated above.

---

Matthew T. Keeling, Executive Officer

### TABLE OF CONTENTS

1. FACILITY INFORMATION .....	2
2. FINDINGS .....	2
3. DISCHARGE PROHIBITIONS .....	4
4. EFFLUENT LIMITATIONS AND DISCHARGE PROHIBITIONS .....	5
4.1. <b>Effluent Limitations – Discharge Point 001</b> .....	5
4.2. <b>Land Discharge Specifications – Not Applicable</b> .....	7
4.3. <b>Recycling Specifications – Discharge Point 002</b> .....	7
5. RECEIVING WATER LIMITATIONS .....	9
5.1. <b>Surface Water Limitations</b> .....	9
5.2. <b>Groundwater Limitations — Not Applicable</b> .....	11
6. PROVISIONS .....	11
6.1. <b>Standard Provisions</b> .....	11
6.2. <b>Monitoring and Reporting Program (MRP) Requirements</b> .....	12
6.3. <b>Special Provisions</b> .....	12
7. COMPLIANCE DETERMINATION .....	20

### TABLE OF TABLES

Table 1. Discharge Location .....	1
Table 2: Final Effluent Limitations— Conventional Pollutants – Discharge Points 001 ...	6
Table 3: Effluent Limitations — Non-Conventional and Toxic Pollutants — Discharge Point No. 001 .....	7
Table 4. Toxicity Reduction Evaluation Schedule .....	14

### TABLE OF ATTACHMENTS

ATTACHMENT A – DEFINITIONS  
ATTACHMENT B – MAPS  
ATTACHMENT C – FLOW SCHEMATICS  
ATTACHMENT D – STANDARD PROVISIONS  
ATTACHMENT E – MONITORING AND REPORTING PROGRAM

## 1. FACILITY INFORMATION

The San Simeon Community Services District (Discharger) is the owner and operator of the San Simeon Wastewater Treatment Plant (Facility), a publicly owned treatment works (POTW). Information describing the Facility is summarized on the cover page and in sections 1 and 2 of the Fact Sheet (Attachment F). Section 1 of the Fact Sheet also includes information regarding the Facility's permit application.

## 2. FINDINGS

The California Regional Water Quality Control Board, Central Coast Region (Central Coast Water Board) finds:

- 2.1. **Legal Authorities.** This Order serves as waste discharge requirements (WDRs) pursuant to article 4, chapter 4, division 7 of the California Water Code (commencing with section 13260). This Order includes water reclamation requirements authorizing production of disinfected tertiary recycled water. This Order is also issued pursuant to section 402 of the federal Clean Water Act (CWA) and implementing regulations adopted by the U.S. EPA and chapter 5.5, division 7 of the Water Code (commencing with section 13370). It shall serve as a NPDES permit authorizing the Discharger to discharge into waters of the United States at the discharge location described in Table 1 subject to the WDRs in this Order.
- 2.2. **Background and Rationale for Requirements.** The Central Coast Water Board developed the requirements in this Order based on information submitted as part of the application, through monitoring and reporting programs, and other available information. The Fact Sheet (Attachment F), which contains background information and rationale for the requirements in this Order, is hereby incorporated into and constitutes Findings for this Order. Attachments A through E are also incorporated into this Order.
- 2.3. **Provisions and Requirements Implementing State Law.** Some provisions/requirements in this Order are included to implement state law only. These provisions/requirements are not required or authorized under the federal CWA; consequently, violations of these provisions/requirements are not subject to the enforcement remedies that are available for NPDES violations.
- 2.4. **Water Reclamation Requirements for Recycled Water Production and Use.** This Order allows the production of disinfected tertiary treated wastewater in compliance with applicable state and local requirements regarding the production and use of reclaimed wastewater, including those requirements established by the California Department of Public Health in title 22, sections 60301 - 60357 of the California Code of Regulations, Water Recycling Criteria. Additionally, this Order includes water reclamation requirements for the Facility pursuant to the State Water Resources Control Board's (State Water Board's) Division of Drinking Water recommendations submitted to the Central Coast Water Board. The distribution and offsite reuse of recycled water produced by the Facility is subject to the State Water Resources Control Board's (State Water Board) General Water Reclamation

Requirements for Recycled Water Use (State Water Board Order No. WQ 2016-0068-DDW), or other applicable permit, dependent on final use.

- 2.5. **Response to Climate Change.** Climate change refers to observed changes in regional weather patterns such as temperature, precipitation, and storm frequency and size. At the local scale, climate change may directly impact groundwater and surface water supply; drainage, flooding, and erosion patterns; and ecosystems and habitat. This shift in climate, combined with California’s growing population, has increased reliance on pumping, conveying, treating, and heating water, increasing the water sector’s greenhouse gas emissions. The State Water Board’s Resolution No. 2017-0012, *Comprehensive Response to Climate Change*, requires a proactive response to climate change in all California Water Board actions, with the intent to embed climate change consideration into all programs and activities. Aligning with Resolution No. 2017-0012, this Order supports the Discharger’s efforts to develop a coastal hazards response plan, identification of alternative locations for the facility away from coastal hazards, and ultimate plan to move the facility and restore the current site. Also aligning with Resolution No. 2017-0012 and the State Water Board’s *Water Quality Control Policy for Recycled Water*, this Order authorizes the production of recycled water for direct non-potable reuse to help offset demand on potable water supplies and allows for the acceptance and discharge of advanced water treatment system waste to support local water supply resiliency projects. This Order increases local water supply reliability as a climate adaptation strategy, in addition to maintaining instream discharges to provide water quality benefits and enhanced aquatic habitats.
- 2.6. **Long-Term Planning and Implementation.** Federal regulations require NPDES permits to expire five years after their effective dates, after which the permit may be administratively extended prior to renewal. Planning and instituting measures to support long-term climate adaptation may span multiple permit terms. To incorporate proactive planning for the future and align with requirements of the Coastal Act, this Order includes requirements for the Discharger to identify and plan for Facility relocation away from the coastal zone.
- 2.7. **Human Right to Water.** Consistent with the human right to water stated in California Water Code section 106.3, subdivision (a) and the Central Coast Water Board’s Resolution No. R3-2017-0004, this Order promotes actions that advance the human right to water and discourages actions that delay or impede opportunities for communities to secure safe, clean, affordable, and accessible water adequate for human consumption, cooking, and sanitary purposes. This Order incorporates requirements to support the Discharger in providing recycled water for direct non-potable beneficial reuse. Diversification of the City’s water supply portfolio is necessary to better prepare for uncertainties in water resources due to the changing climate.
- 2.8. **Environmental Justice.** On January 26, 2017, the Central Coast Water Board approved Resolution No. R3-2017-0004, *Adopting the Human Right to Water as a Core Value and Directing Its Implementation in Central Coast Water Board Programs and Activities*, which adopts the human right to water as a core value and

affirms the realization of the human right to water and protecting human health as the Central Coast Water Board's top priorities. To meet the objectives of the resolution, staff has evaluated the disadvantaged community status of the Discharger. Using 2018 census data, the California Department of Water Resources Disadvantaged Community (DAC) Mapping Tool<sup>2</sup> identifies San Simeon Census Designated Place (CDP) as significantly disadvantaged. The Facility is located within the CDP identified as severely disadvantaged. The tool defines a disadvantaged community as a census block with a median household income between \$38,270 and \$51,026 and a severely disadvantaged community as a census block with a median household income less than \$38,270.

- 2.9. **California Environmental Quality Act.** Under California Water Code section 13389, this action to adopt an NPDES permit for the discharge of waste to surface waters is exempt from the California Environmental Quality Act (CEQA) provisions in Public Resources Code, Division 13, Chapter 3. This Order also permits the production of disinfected tertiary treated wastewater, which was approved through the Master Reclamation Permit issued as part of the previous permit, R3-2013-0021 and is Class 1 Categorically Exempt under CEQA section 15301.
- 2.10. **Notification of Interested Persons.** The Central Coast Water Board has notified the Discharger and interested agencies and persons of its intent to prescribe WDRs for the discharge and has provided them with an opportunity to submit their written comments and recommendations. Details of the notification are provided in the Fact Sheet.
- 2.11. **Consideration of Public Comment.** The Central Coast Water Board, in a public meeting, heard and considered all comments pertaining to the discharge. Details of the public hearing are provided in the Fact Sheet.

THEREFORE, IT IS HEREBY ORDERED that this Order supersedes Order No. R3-2013-0021 except for enforcement purposes, and, in order to meet the provisions contained in division 7 of the California Water Code (commencing with section 13000) and regulations adopted thereunder and the provisions of the CWA and regulations and guidelines adopted thereunder, the Discharger must comply with the requirements in this Order. This action in no way prevents the Central Coast Water Board from taking enforcement action for violations of the previous order.

### 3. DISCHARGE PROHIBITIONS

- 3.1. Discharge of treated wastewater at a location or in a manner other than as described by this Order at Discharge Points 001 and 002 is prohibited.

---

<sup>2</sup> The DAC Mapping Tool is used to inform statewide Integrated Water Resources Management (IRWM), Sustainable Groundwater Monitoring Act (SGMA), and California Water Plan implementation efforts and can be found at the following website: <https://gis.water.ca.gov/app/dacs/>.

- 3.2. The discharge of any waste not specifically regulated by this Order, excluding stormwater regulated by General Permit No. CAS000001 (Waste Discharge Requirements for Discharges of Stormwater Associated with Industrial Activities), is prohibited.
- 3.3. The monthly average dry weather effluent flow at Discharge Point 001 must not exceed 0.2 million gallons per day (MGD).
- 3.4. The discharge of effluent to the Pacific Ocean when a dilution of 115:1 (seawater to effluent) is not available is prohibited.
- 3.5. Overflow or bypass of wastewater from the Discharger's collection, treatment, or disposal facilities and the subsequent discharge of untreated or partially treated wastewater, except as provided for in Attachment D, Standard Provision 1.7 (Bypass), is prohibited.
- 3.6. The discharge of any radiological, chemical, or biological warfare agent or high-level radioactive wastes to the ocean is prohibited.
- 3.7. Pipeline discharge of sludge to the ocean is prohibited by federal law. The discharge of municipal or industrial waste sludge directly to the ocean, or into a waste stream that discharges to the ocean, is prohibited by the California Ocean Plan (Ocean Plan). The discharge of sludge digester supernatant directly to the ocean or to a waste stream that discharges to the ocean without further treatment is prohibited.
- 3.8. The discharge of materials and substances in the wastewater that results in any of the following is prohibited:
  - Float or become floatable upon discharge.
  - May form sediments that degrade benthic communities or other aquatic life.
  - Accumulate to toxic levels in marine waters, sediments, or biota.
  - Decrease the natural light to benthic communities and other marine life.
  - Result in aesthetically undesirable discoloration of the ocean surface.

#### **4. EFFLUENT LIMITATIONS AND DISCHARGE PROHIBITIONS**

##### **4.1. Effluent Limitations – Discharge Point 001**

##### **4.1.1. Final Effluent Limitations – Discharge Point 001**

- 4.1.1.1. **Conventional Pollutants.** The Discharger must maintain compliance with the following effluent limitations at Discharge Point 001, with compliance measured at Monitoring Location EFF-001 as described in Attachment E, the Monitoring and Reporting Program:

**Table 2: Final Effluent Limitations— Conventional Pollutants – Discharge Point 001**

Parameter	Units	Average Monthly	Average Weekly	Maximum Daily	Instantaneous Minimum <sup>[3]</sup>	Instantaneous Maximum <sup>[4]</sup>
BOD <sub>5</sub> <sup>[1]</sup>	mg/L	30	45	90		
BOD <sub>5</sub> <sup>[1]</sup>	lbs/day <sup>[2]</sup>	50	75	150		
TSS <sup>[1]</sup>	mg/L	30	45	90		
TSS <sup>[1]</sup>	lbs/day <sup>[2]</sup>	50	75	150		
pH	standard units				6.0	9.0
Oil and Grease	mg/L	25	40	75		
Oil and Grease	lbs/day <sup>[2]</sup>	42	67	125		
Settleable Solids	mL/L	1.0	1.5	3.0		
Turbidity	NTU	75	100	225		

<sup>[1]</sup> The average monthly percent removal for BOD and TSS must not be less than 85 percent.

<sup>[2]</sup> Mass loading limits were calculated using the following formula:  
 $\text{lbs/day} = \text{pollutant concentration (mg/L)} * \text{permitted flow (0.2 MGD)} * \text{conversion factor (8.34)}$

<sup>[3]</sup> The daily maximum must apply to flow weighted 24-hour composite samples. The daily maximum mass emission must be determined using the daily maximum effluent concentration limit as  $C_e$  and the observed flow rate,  $Q$ , in MGD.

<sup>[4]</sup> The instantaneous maximum must apply to grab sample determinations.

4.1.1.1.1. **Percent Removal.** The average monthly percent removal of BOD<sub>5</sub> and TSS must not be less than 85 percent.

4.1.1.1.2. **Non-Conventional and Toxic Pollutants.** The Discharger must maintain compliance with the following effluent limitations at Discharge Point 001, with compliance measured at Monitoring Locations EFF-001 as described in Attachment E, the Monitoring and Reporting Program:



**Table 3: Final Effluent Limitations — Non-Conventional and Toxic Pollutants — Discharge Point 001**

Parameter	Units	6-Month Median <sup>[1]</sup>	Maximum Daily <sup>[2]</sup>	Instantaneous Maximum <sup>[3]</sup>
Total Chlorine Residual	µg/L	230	930	6,900
Total Chlorine Residual	lbs/day	0.4	1.6	12
Acute Toxicity	TUa		3.8	

<sup>[1]</sup> The six-month median must apply as a moving median of daily values for any 180-day period in which daily values represent flow weighted average concentrations within a 24-hour period. For intermittent discharges, the daily value must be considered equal to zero for days on which no discharge occurred. The six-month median limit on daily mass emissions must be determined using the six-month median effluent concentration  $C_e$  and the observed flow rate,  $Q$ , in million gallons per day (MGD).

<sup>[2]</sup> The daily maximum must apply to flow weighted 24-hour composite samples. The daily maximum mass emission must be determined using the daily maximum effluent concentration limit as  $C_e$  and the observed flow rate,  $Q$ , in MGD.

<sup>[3]</sup> The instantaneous maximum must apply to grab sample determinations.

4.1.1.3. **Dry Weather Flow.** Effluent average dry weather flow must not exceed a monthly average of 0.2 MGD.

4.1.1.4. **Bacteria**

4.1.1.4.1. Total Coliform: The total coliform concentrations must not exceed a 30-day geometric mean of 230 MPN/100 mL. No total coliform single sample shall exceed 2,400 MPN/100mL.

4.1.2. **Interim Effluent Limitations – Not Applicable**

4.2. **Land Discharge Specifications – Not Applicable**

4.3. **Recycling Specifications – Discharge Point 002**

In 2012, the San Simeon Community Services District constructed its Small-Scale Recycled Water Facility (SSRWF) to treat the secondary-treated effluent to tertiary levels in order to use it for recycling purposes. This Order authorizes the Discharger to act as the producer of recycled (or reclaimed) water and to reuse recycled water onsite at the Facility. The Discharger is responsible for compliance with all applicable requirements associated with the production and onsite use of recycled water as specified within this Order. The distribution and offsite reuse of recycled water produced by the Facility is subject to State Water Board Order No. WQ 2016-0068-DDW, State Water Board General Water Reclamation Requirements for Recycled Water Use.

Consistent with the California Department of Public Health's (CDPH, now the State Water Board's Division of Drinking Water) conditions provided in its October 12, 2012 approval letter, the Discharger's production of recycled water must be adequately oxidized, filtered, and disinfected, as defined in title 22, and is subject to the following specifications:

- 4.3.1. The median concentration of total coliform bacteria measured in the tertiary filtered and disinfected effluent (i.e., recycled water) must not exceed the following limits:
  - 4.3.1.1. A total coliform median concentration of 2.2 MPN/100mL based on the results of the last 7 days for which analyses have been completed.
  - 4.3.1.2. A total coliform median concentration of 23 MPN/100mL in more than one sample every 30 days.
  - 4.3.1.3. No sample shall exceed a total coliform concentration of 240 MPN/100mL.
- 4.3.2. For the filter and ozone disinfection system used by the District, the following requirements apply:
  - 4.3.2.1. Filter loading rate not to exceed 2.1 gpm/ft<sup>2</sup>
  - 4.3.2.2. Flow rate of less than or equal to 30 gpm. If flow exceeds 30 gpm, the Discharger will need to perform an additional tracer study and determine compliance with the disinfection requirements for contact time (CT).
  - 4.3.2.3. Disinfection process compliant with Section 60301.23(a2) of title 22.
  - 4.3.2.4. Turbidity performance in accordance with Sections 60301.32(a2) and 60304(a) of title 22.
  - 4.3.2.5. Influent turbidity to the SSWRF does not exceed 5 NTU for more than 15 minutes and never exceeds 10 NTU.
  - 4.3.2.6. Adhere to operations and maintenance manual recommended procedures for the filtration and ozone disinfection systems.
  - 4.3.2.7. The disinfection process must provide a minimum CT of 1.0 mg/L/min with an ozone dose of approximately 18 mg/L necessary to meet the CT requirements. The CT tracer study determined a baffling factor to be 0.92 at a flow rate of 25 gpm.
- 4.3.3. The turbidity levels for filtered recycled water must not exceed any of the following:
  - 4.3.3.1. An average of 2 NTU within a 24-hour period;
  - 4.3.3.2. 5 NTU more than 5 percent of the time within a 24-hour period; and
  - 4.3.3.3. 10 NTU anytime.
- 4.3.4. An operations plan for the SSWRF must be developed and maintained that addresses the operation, maintenance, and optimization of the treatment system.

- 4.3.5. Reclamation and use of disinfected tertiary treated wastewater must adhere to applicable requirements of California Water Code sections 13500-13577 (Water Reclamation) and California Code of Regulations title 17 sections 7583-7586, title 17 sections 7601-7605 and title 22 sections 60301-60355 (Uniform Statewide Recycling Criteria).
- 4.3.6. Recycled water production must comply with a title 22 engineering report approved by the Division of Drinking Water (DDW) that demonstrates or defines compliance with the Uniform Statewide Recycling Criteria (and amendments).
- 4.3.7. Recycled water must be disinfected tertiary recycled water, as defined by title 22, section 60301.230.
- 4.3.8. The Discharger must maintain compliance with the limitations in section 4.3 of this Order at Discharge Point 002, with compliance measured at Monitoring Location EFF-002 as described in the attached MRP.
- 4.3.9 The Discharger must discontinue delivery of recycled water to distributors and users during any period in which it has reason to believe that the limits established in this Order are not being met. The delivery of recycled water must not be resumed until all conditions that caused the limits to be violated have been corrected.

## **5. RECEIVING WATER LIMITATIONS**

### **5.1. Surface Water Limitations**

Receiving water limitations are based on water quality objectives (WQOs) contained in the Ocean Plan and are a required part of this Order. These receiving water limitations are designed to minimize the influence of this discharge to the receiving water. The Discharger must comply with the below receiving water limitations. The discharge must not cause the following in the Pacific Ocean:

#### **5.1.1. Bacterial Characteristics**

- 5.1.1.1. Water-Contact Standards. Within a zone bounded by the shoreline and a distance of 1,000 feet from the shoreline or the 30-foot depth contour, whichever is farther from the shoreline, and in areas outside this zone used for water contact sports, as determined by the Central Coast Water Board (i.e., waters designated REC-1), but including all kelp beds, the following bacterial objectives must be maintained throughout the water column.
  - 5.1.1.1.1. Fecal Coliform. 30-day geometric mean of fecal coliform density not to exceed 200 per 100 milliliters (mL), calculated using the five most recent samples from each site, and a single sample maximum not to exceed 400 per 100 mL.
  - 5.1.1.1.2. A six-week rolling geometric mean of enterococci not to exceed 30 colony forming units (CFU) per 100 mL, calculated weekly, and a statistical threshold value (STV) of 110 CFU/100 mL not to be exceeded by more than 10 percent of the samples collected in a calendar month, calculated in a static manner using U.S. EPA Method 1600 or other equivalent method to measure culturable enterococci.

5.1.1.2. Shellfish Harvesting Standards. At all areas where shellfish may be harvested for human consumption, as determined by the Central Coast Water Board, the following bacterial objectives must be maintained throughout the water column.

5.1.1.2.1. The median total coliform density must not exceed 70 per 100 mL, and not more than 10 percent of the samples shall exceed 230 per 100 mL.

5.1.1.3. The "Initial Dilution Zone" of wastewater outfalls must be excluded from designation as kelp beds for the purposes of bacterial standards. Adventitious assemblages of kelp plants on waste discharge structures (e.g., outfall pipes and diffusers) do not constitute kelp beds for purposes of bacterial standards.

#### 5.1.2. Physical Characteristics

5.1.2.1. Floating particulates and grease and oil must not be visible on the ocean surface.

5.1.2.2. The discharge of waste must not cause aesthetically undesirable discoloration of the ocean surface.

5.1.2.3. Natural light must not be significantly reduced at any point outside the zone of initial dilution as the result of the discharge of waste.

5.1.2.4. The rate of deposition of inert solids and the characteristics of inert solids in ocean sediments must not be changed such that benthic communities are degraded.

5.1.2.5. Temperature of the receiving water must not be altered to adversely affect beneficial uses, as set forth in the Water Quality Control Plan for Control of Temperature in the Coastal and Interstate Waters and Enclosed Bays and Estuaries of California (Thermal Plan).

#### 5.1.3 Chemical Characteristics

5.1.3.1. The dissolved oxygen concentration must not, at any time, be depressed more than 10 percent from that which occurs naturally or fall below 5.0 mg/L as the result of the discharge of oxygen-demanding waste materials. The mean annual dissolved oxygen concentration must not be less than 7.0 mg/L.

5.1.3.2. The pH must not be changed at any time more than 0.2 units from that which occurs naturally and must be within the range of 7.0 to 8.5 at all times.

5.1.3.3. The dissolved sulfide concentrations of waters in and near sediments must not be significantly increased above those present under natural conditions.

5.1.3.4. The concentrations of substances set forth in Table 3 of the Ocean Plan must not be increased in marine sediments to those that would degrade indigenous biota.

5.1.3.5. The concentration of organic materials in marine sediments must not be increased to that which would degrade marine life.

5.1.3.6. Nutrient materials must not cause objectionable aquatic growth or degrade indigenous biota.

5.1.3.7. Numerical WQOs established in Table 3 of the Ocean Plan apply to all discharges within the jurisdiction of the Ocean Plan. Unless otherwise specified, all metal concentrations are expressed as total recoverable concentrations.

#### **5.1.4. Biological Characteristics**

5.1.4.1. Marine communities, including vertebrate and plant species, must not be degraded.

5.1.4.2. The natural taste, odor, and color of fish, shellfish, or other marine resources used for human consumption must not be altered.

5.1.4.3. The concentration of organic materials in fish, shellfish, or other marine resources used for human consumption must not bioaccumulate to levels that are harmful to human health.

#### **5.1.5. Radioactivity**

5.1.5.1. Discharge of radioactive waste must not degrade marine life.

5.1.5.2. Radionuclides must not be present in concentrations that are deleterious to human, plant, animal, or aquatic life; or result in the accumulation of radionuclides in the food web to an extent that presents a hazard to human, plant, animal, or aquatic life.

#### **5.1.6. General Standards**

5.1.6.1. The discharge must not cause a violation of any applicable WQO or standard for receiving waters adopted by the Central Coast Water Board or State Water Board, as required by the CWA and regulations adopted thereunder.

5.1.6.2. Waste management systems that discharge to the ocean must be designed and operated in a manner that will maintain the indigenous marine life and a healthy and diverse marine community.

5.1.6.3. Waste effluents must be discharged in a manner that provides sufficient initial dilution to minimize the concentrations of substances not removed in the treatment.

### **5.2. Groundwater Limitations — Not Applicable**

## **6. PROVISIONS**

### **6.1. Standard Provisions**

6.1.1 The Discharger must comply with all Standard Provisions included in Attachment D, both federal NPDES standard provisions from 40 CFR part 122 as well as Central Coast Water Board Standard Provisions in Attachment D.

6.1.2 In the event that there is any conflict, duplication, or overlap between provisions specified by this Order, the more stringent provision must apply.

6.1.3 Failure to comply with provisions or requirements of this Order or violation of other applicable laws or regulations governing discharges from this facility may subject

the Discharger to administrative or civil liability, criminal penalties, and/or other enforcement remedies to ensure compliance. Additionally, certain violations may subject the Discharger to civil or criminal enforcement from appropriate local, state, or federal law enforcement entities.

## **6.2. Monitoring and Reporting Program (MRP) Requirements**

Pursuant to California Water Code sections 13267 and 13383, the Discharger must comply with the MRP, and future revisions thereto, in Attachment E of this Order, and all notification and general reporting requirements throughout this Order and Attachment D. Where notification or general reporting requirements conflict with those stated in the MRP (e.g., annual report due date), the Discharger must comply with the MRP requirements. All monitoring must be conducted according to Title 40 of the Code of Federal Regulations (40 C.F.R.) part 136, Guidelines Establishing Test Procedures for Analysis of Pollutants.

The Discharger is required to provide technical or monitoring reports because it is the owner and operator responsible for the waste discharge and compliance with this Order. The Central Coast Water Board needs this information to determine the Discharger's compliance with this Order, assess the need for further investigation or enforcement action, and to protect public health and safety and the environment. The Discharger must comply with the MRP, and future revisions thereto, in Attachment E.

## **6.3. Special Provisions**

### **6.3.1. Reopener Provisions**

6.3.1.1. This Order may be reopened for modification or revocation and reissuance as a result of the detection of a reportable priority pollutant generated by special conditions included in this Order. These special conditions may be, but are not limited to, fish tissue sampling, whole effluent toxicity, monitoring requirements on internal waste stream(s), and monitoring for surrogate parameters. Additional requirements may be included in this Order as a result of the special condition monitoring data.

6.3.1.2. This Order may be reopened and modified in accordance with NPDES regulations at 40 C.F.R. parts 122 and 124, as necessary, to include additional conditions or limitations based on newly available information or to implement any U.S. EPA-approved, new State WQO.

6.3.1.3. This Order may be reopened for modification to include an effluent limitation if monitoring establishes that the discharge causes, has the reasonable potential to cause, or contributes to an excursion above a Ocean Plan Table 3 WQO.

### **6.3.2. Special Studies, Technical Papers and Additional Monitoring Requirements**

#### **6.3.2.1. Toxicity Notification Requirements.**

The Discharger must notify the Central Coast Water Board and U.S. EPA in writing within 14 days of exceedance of a chronic toxicity trigger of 116 TUc (Toxicity Units Chronic) or acute toxicity effluent limit of 3.8 TUa (Toxicity Units

Acute). This notification must describe actions the Discharger has taken or will take to investigate, identify, and correct the causes of toxicity; the status of actions required by this permit; and schedule for actions not yet completed; or reason(s) that no action has been taken.

If the discharge exceeds the chronic toxicity trigger of 116 TUc, the Discharger must resample immediately, retest, and report the results to the Executive Officer as soon as possible, who will determine whether to initiate an enforcement action, require a Toxicity Reduction Evaluation (TRE) in accordance with the Discharger's TRE Workplan, or implement other measures.

#### 6.3.2.2. Toxicity Reduction Requirements

A TRE is a study conducted in a stepwise process designed to identify the causative agents of effluent or ambient toxicity, isolate the sources of toxicity, evaluate the effectiveness of toxicity control options, and then confirm the reduction in toxicity. The first steps of the TRE consist of the collection of data relevant to the toxicity, including additional toxicity testing, and an evaluation of facility operations and maintenance practices, and best management practices. A Toxicity Identification Evaluation (TIE) may be required as part of the TRE, if appropriate. A TIE is a set of procedures to identify the specific chemical(s) responsible for toxicity. These procedures are performed in three phases: characterization; identification; and confirmation using aquatic organism toxicity tests. The TRE must include all reasonable steps to identify the source of toxicity. The Discharger must take all reasonable steps to reduce toxicity to the required level once the source of toxicity is identified.

6.3.2.2.1. **TRE Workplan.** The Discharger must maintain a TRE Workplan, which describes steps that the Discharger will follow in the event that a toxicity effluent limitation established by this Order is exceeded in the discharge.

6.3.2.2.1.1. The workplan must be prepared in accordance with current technical guidance and reference material, including:

6.3.2.2.1.1.1. Toxicity Reduction Evaluation Guidance for Municipal Wastewater Treatment Plants (EPA/833/B-99-022).

6.3.2.2.1.1.2. Toxicity Identification Evaluation, Phase I (EPA/600/6-91/005F).

6.3.2.2.1.1.3. Methods for Aquatic Toxicity Identification Evaluations, Phase II (EPA/600/R-92/080).

6.3.2.2.1.1.4. Methods for Aquatic Toxicity Identification Evaluations, Phase III (EPA/600/R-92/081).

6.3.2.2.1.2. At a minimum, the TRE Workplan must include:

6.3.2.2.1.2.1. Actions that will be taken to investigate/identify the causes/sources of toxicity;

6.3.2.2.1.2.2. Actions that will be evaluated to mitigate the impact of the discharge, to correct the noncompliance, and/or to prevent the recurrence of acute or

chronic toxicity (this list of action steps may be expanded, if a TRE is undertaken); and

6.3.2.2.1.2.3. A schedule under which these actions will be implemented.

6.3.2.2.2. **TRE Schedule.** When monitoring detects effluent toxicity greater than the limitation or trigger in this Order, the Discharger must resample immediately, if the discharge is continuing, and retest for whole effluent toxicity. Results of an initial failed test and results of subsequent monitoring must be reported to the Central Coast Water Board Executive Officer as soon as possible after receiving monitoring results. The Executive Officer will determine whether to initiate enforcement action, whether to require the Discharger to implement a TRE, or to implement other measures. The Discharger must conduct a TRE considering guidance provided by the U.S. EPA's *Toxicity Reduction Evaluation Procedures, Phases 1, 2, and 3* (EPA document Nos. EPA 600/3-88/034, 600/3-88/035, and 600/3-88/036, respectively). A TRE, if necessary, must be conducted in accordance with the following schedule.

**Table 4. Toxicity Reduction Evaluation Schedule**

<b>Actions Step</b>	<b>When Required</b>
Take all reasonable measures necessary to immediately reduce toxicity, where the source is known.	Within 24 hours of identification of noncompliance.
Initiate the TRE in accordance to the Workplan.	Within 7 days of notification by the Executive Officer.
Conduct the TRE following the procedures in the Workplan.	Within the period specified in the Workplan (not to exceed one year without an approved Workplan)
Submit the results of the TRE, including summary of findings, required corrective action, and all results and data.	Within 60 days of completion of the TRE.
Implement corrective actions to meet Permit limits and conditions.	To be determined by the Executive Officer.

6.3.2.3. Accelerated Toxicity Testing and TRE/TIE Process for Whole Effluent Toxicity

6.3.2.3.1. If the toxicity trigger is exceeded and the source of toxicity is known (e.g., a temporary plant upset), then the Discharger must conduct one additional toxicity test using the same species and test method. This test must begin within 14 days of receipt of test results exceeding the toxicity trigger. If the additional toxicity test does not exceed the toxicity effluent trigger, then the Discharger may return to their regular testing frequency.

6.3.2.3.2. If the toxicity trigger is exceeded and the source of toxicity is not known, then the Discharger must conduct six additional toxicity tests using the same species and test method, approximately every two weeks, over a 12-week period. This testing must begin within 14 days of receipt of test results



exceeding the toxicity trigger. If none of the additional toxicity tests exceed the toxicity trigger, then the Discharger may return to their regular testing frequency.

6.3.2.3.3. If one of the additional toxicity tests exceeds the toxicity trigger, then the Discharger must notify the Central Coast Water Board Executive Officer and Director. If the Central Coast Water Board Executive Officer and Director determine that the discharge consistently exceeds the toxicity trigger, then the Discharger must initiate a TRE using as guidance the U.S. EPA manuals:

- Toxicity Reduction Evaluation Guidance for Municipal Wastewater Treatment Plants (EPA 833/B-99/002, 1999) or
- Generalized Methodology for Conducting Industrial Toxicity Reduction Evaluations (EPN600/2-88/070, 1989).

In conjunction, the Discharger must develop and implement a detailed TRE Workplan which must include: further actions undertaken by the Discharger to investigate, identify, and correct the causes of toxicity; actions the Discharger will take to mitigate the impact of the discharge and prevent the recurrence of toxicity, and a schedule for these actions. This Detailed TRE Workplan and schedule are subject to approval and modification by the Central Coast Water Board and U.S. EPA.

6.3.2.3.4. As part of a TRE, the Discharger may initiate a TIE using the same species and test method, and U.S. EPA TIE guidance manuals-to identify the causes of toxicity. The U.S. EPA TIE guidance manuals are:

- Toxicity Identification Evaluation: Characterization of Chronically Toxic Effluents, Phase I (EPN600/6-91/005F, 1992; only chronic toxicity);
- Methods for Aquatic Toxicity Identification Evaluations: Phase I Toxicity Characterization Procedures (EPN600/6-91/003, 1991; only acute toxicity);
- Methods for Aquatic Toxicity Identification Evaluations, Phase II Toxicity Identification Procedures for Samples Exhibiting Acute and Chronic Toxicity (EPN600/R-92/080, 1993);
- Methods for Aquatic Toxicity Identification Evaluations, Phase III Toxicity Confirmation Procedures for Samples Exhibiting Acute and Chronic Toxicity (EPN600/R-92/081, 1993);
- Marine Toxicity Identification Evaluation (TIE): Phase I Guidance Document (EPN600/R-96-054, 1996).

6.3.2.4 Ocean Outfall and Diffuser Inspection. The Discharger must annually visually inspect the entire outfall and diffuser structure pursuant to section 9.1 of the MRP.

### **6.3.3. Best Management Practices and Pollution Prevention**

#### **6.3.3.1. Pollutant Minimization Program**

The Discharger must develop and conduct a Pollutant Minimization Program (PMP) as further described below when there is evidence (e.g., sample results reported as “Detected, but Not Quantified” (DNQ) when the effluent limitation is less than the minimum detection limit (MDL), sample results from analytical methods more sensitive than those methods required by this Order, presence of whole effluent toxicity, health advisories for fish consumption, or results of benthic or aquatic organism tissue sampling) that a priority pollutant is present in the effluent above an effluent limitation and either:

- 6.3.3.1.1. A sample result is reported as DNQ and the effluent limitation is less than the reporting limit (RL); or
- 6.3.3.1.2. A sample result is reported as “Not Detected” (ND) and the effluent limitation is less than the MDL, using definitions described in Attachment A and reporting protocols described in MRP section 10.2.4.

The PMP must include, but not be limited to, the following actions and submittals acceptable to the Central Coast Water Board Executive Officer:

- 6.3.3.1.2.1. An annual review and semi-annual monitoring of potential sources of the reportable priority pollutant(s), which may include fish tissue monitoring and other bio-uptake sampling;
- 6.3.3.1.2.2. Quarterly monitoring for the reportable priority pollutant(s) in the influent to the wastewater treatment system;
- 6.3.3.1.2.3. Submittal of a control strategy designed to proceed toward the goal of maintaining concentrations of the reportable priority pollutant(s) in the effluent at or below the effluent limitation;
- 6.3.3.1.2.4. Implementation of appropriate cost-effective control measures for the reportable priority pollutant(s), consistent with the control strategy; and
- 6.3.3.1.2.5. An annual status report that must be sent to the Central Coast Water Board Executive Officer including:
  - 6.3.3.1.2.5.1. All PMP monitoring results for the previous year;
  - 6.3.3.1.2.5.2. A list of potential sources of the reportable priority pollutant(s);
  - 6.3.3.1.2.5.3. A summary of all actions undertaken pursuant to the control strategy; and
  - 6.3.3.1.2.5.4. A description of actions to be taken in the following year.

#### 6.3.4. **Construction, Operation and Maintenance Specifications**

- 6.3.4.1. The Facility must be operated as specified under Standard Provision 1.4 of Attachment D.

#### 6.3.5. **Special Provisions for Publicly Owned Treatment Works (POTWs)**

- 6.3.5.1. **Biosolids.** Standard requirements for the monitoring, reporting, recordkeeping, and handling of biosolids in accordance with 40 CFR Part 503 are the permittee’s responsibilities. This also includes biosolids annual reports, including major POTWs that prepare sewage sludge and other facilities

designated as “Class 1 sludge management facilities,” electronic reporting requirements. Permittees must submit biosolids annual reports using EPA’s NPDES Electronic Reporting Tool (“NeT”) by February 19th of the following year. Standard requirements for the monitoring, reporting, recordkeeping, and handling of biosolids in accordance with 40 CFR Part 503 are the responsibility of the permittee.

Solids and sludge treatment, storage, and disposal or reuse must not create a nuisance, such as objectionable odors or flies, and must not result in groundwater contamination. Sites for solids and sludge treatment and storage must have adequate facilities to divert surface water runoff from adjacent areas to protect the boundaries of such sites from erosion, and to prevent drainage from treatment and storage sites.

The treatment, storage, disposal, or reuse of sewage sludge and solids must not cause waste material to be in a position where it is, or can be, conveyed from the treatment and storage sites and deposited into waters of the State. The Discharger is responsible for ensuring that all biosolids produced at its facility are used or disposed of in accordance with the above rules, regardless of whether the Discharger uses or disposes of the biosolids itself or transfers them to another party for further treatment, use, or disposal. The Discharger is responsible for informing subsequent preparers, applicators, and disposers of the requirements that they must adhere to these rules.

**6.3.5.2. Pretreatment. — Not Applicable**

**6.3.5.3. Discharges of Stormwater.** For the control of stormwater discharged from the site of the wastewater treatment and disposal facilities, if applicable, the Discharger must seek authorization to discharge under and meet the requirements of the State Water Board’s Water Quality Order 2014-0057-DWQ, NPDES General Permit No. CAS000001, *Waste Discharge Requirements for Discharges of Stormwater Associated with Industrial Activities Excluding Construction Activities*.

**6.3.5.4. Collection System.** The Order requires coverage by and compliance with applicable provisions the State Water Board’s Water Quality Order No. 2006-0003-DWQ, *General Waste Discharge Requirements for Sanitary Sewer Systems*. This general permit, adopted on May 2, 2006, is applicable to all “federal and state agencies, municipalities, counties, districts, and other public entities that own or operate sanitary sewer systems greater than one mile in length that collect and/or convey untreated or partially treated wastewater to a publicly owned treatment facility in the State of California.” The purpose of the general permit is to promote the proper and efficient management, operation, and maintenance of sanitary sewer systems and to minimize the occurrences and impacts of sanitary sewer overflows. This provision is retained from the previous order. The Discharger has been enrolled under the general permit since April 10, 2006.

**6.3.6. Other Special Provisions**

### 6.3.6.1. Climate Change Adaptation Program

6.3.6.1.1. Coastal Hazards Response Plan. No later than July 11, 2022, the Discharger must submit a coastal hazards response plan for Executive Officer approval. The requirement to submit a coastal hazards response plan and the timeframe to do so reflects an identical requirement in the Discharger's Coastal Development Permit (CDP) 3-19-0020, which was approved by the California Coastal Commission on July 11, 2019. The WWTP and vicinity is subject to coastal hazards related to coastal inundation and creek flooding, which will only be exacerbated with sea level rise. Inundation or flooding of the facility will result in discharges of untreated wastewater into the Pacific Ocean, thusly the coastal hazards response plan is imperative to ensure continued function and viability of the WWTP in a manner that is protective of water quality.

The coastal hazards response plan must provide a clear long-term plan for providing necessary wastewater treatment functions at an inland location (or locations) that are not subject to coastal hazards threatening the existing plant. Extension to the deadline for submittal of the coastal hazards response plan to the Central Coast Water Board may be granted by the Executive Officer for good cause, but in no event may it be extended beyond July 11, 2024.

The coastal hazards response plan must, at a minimum, include:

- 6.3.6.1.1.1. Identification of preferred inland site or sites for wastewater treatment functions, including evaluating alternative wastewater treatment options in lieu of building a new inland wastewater treatment plant (WWTP) (including the construction of an inland package plant or plants, the possibility of combining services with other nearby existing WWTPs, and similar alternatives), and
- 6.3.6.1.1.2. Details regarding the mechanisms, costs, funding options, and timing for potential relocation and for full restoration of the existing WWTP site.
- 6.3.6.1.1.3. Expected costs to purchase land for a relocated plant, to decommission the existing plant and to restore the site, to upgrade any relocated wastewater treatment functions to include water recycling (including addressing the potential for joint satellite facilities and/or collaborations with nearby communities and wastewater service providers for water recycling) must be included.
- 6.3.6.1.1.4. Detailed evaluation of whether the use of the WWTP outfall can be eliminated and the outfall removed as part of moving wastewater functions to a more inland location. Any costs associated with new and/or upgraded outfall pipelines, pumps, and/or lift stations deemed necessary (including rerouting of sewer pipes to a relocated plant, etc.) must also be included. Additionally, the evaluation should consider the long-term need and benefit of maintaining the outfall in support of existing or potential water supply

resiliency and augmentation projects (e.g., for the discharge of advanced water treatment system saline wastes).

- 6.3.6.1.1.5 Timeline of potential major relocation events, including expected timeframes for land acquisition, planning, permitting, design, construction and eventual operation of a relocated plant or alternative wastewater treatment solutions that avoid the significant coastal hazards that threaten the existing WWTP.

### 6.3.6.2 Hauled Saline Waste Program

- 6.3.6.2.1 Hauled saline wastes consist of waste concentrates from water treatment and filtration processes, including but not limited to, reverse osmosis or ion exchange. Hauled saline wastes must be discharged upstream of Monitoring Location EFF-001. Prior to discharging hauled saline waste through the ocean outfall, the Discharger must submit a hauled saline waste disposal study to the Executive Officer for their approval. Central Coast Water Board staff will convene a technical advisory group to review the hauled saline waste study and provide comments to the Executive Officer. California Coastal Commission, Monterey Bay National Marine Sanctuary, California Fish and Wildlife, and California State Parks will be invited to participate in the technical advisory group.

The hauled saline waste disposal study must address how the Discharger will maintain compliance with the effluent limitations found in Tables 2 and 3 at Discharge Point 001, with compliance measured at Monitoring Location EFF-001.

The intermittent reverse osmosis waste concentrate generated from the Discharger's existing drinking water treatment system does not need to be addressed through the hauled saline waste study and may continue to be disposed of into Facility headworks.

- 6.3.6.2.2 The hauled saline waste study must include, at a minimum, the following elements: (1) a projection of the hauled saline waste volume and characteristics, including expectations of variability in discharge quality and quantity over time; (2) an assessment of the impact of the hauled saline waste volume on permit compliance; (3) an assessment of the impact of the hauled saline waste volume on the minimum probable initial dilution at the point of discharge; (4) a detailed description of any hauled saline waste treatment, storage, and disposal facilities that are proposed to accommodate the waste volume and facilitate blending, flow metering, and sampling; (5) a schedule for the design and construction of the new hauled saline waste storage and disposal facilities; (5) a detailed biological resources assessment; and (6) documentation that the outfall is adequately maintained and structurally sound.
- 6.3.6.2.3 The Discharger must send a copy of the study to the Monterey Bay National Marine Sanctuary (MBNMS) at [mbnms.permits@noaa.gov](mailto:mbnms.permits@noaa.gov) and California Coastal Commission at [CentralCoast@coastal.ca.gov](mailto:CentralCoast@coastal.ca.gov).

### 6.3.7. Compliance Schedules – Not Applicable

## 7. COMPLIANCE DETERMINATION

### 7.1. General

Compliance with effluent limitations for reportable pollutants must be determined using sample reporting protocols defined in the MRP and Attachment A of this Order. For purposes of reporting and administrative enforcement by the Central Coast and State Water Boards, the Discharger must be deemed out of compliance with effluent limitations if the concentration of the reportable pollutant in the monitoring sample is greater than the effluent limitation and greater than or equal to the reported Minimum Level (ML).

### 7.2. Multiple Sample Data

When determining compliance with a measure of central tendency (arithmetic mean, geometric mean, median, etc.) of multiple samples analyses and the data set contains one or more reported determinations of DNQ, or ND, the Discharger must compute the median in place of the arithmetic mean in accordance with the following procedure:

- 7.2.1. The data set must be ranked from low to high, ranking the reported ND determinations lowest, DNQ determinations next, followed by quantified values (if any). The order of the individual ND or DNQ determinations is unimportant.
- 7.2.2. The median value of the data set must be determined. If the data set has an odd number of data points, then the median is the middle value. If the data set has an even number of data points, then the median is the average of the two values around the middle unless one or both of the points are ND or DNQ, in which case the median value must be the lower of the two data points where DNQ is lower than a value and ND is lower than DNQ.

### 7.3. Average Monthly Effluent Limitation (AMEL)

If the average of daily discharges over a calendar month exceeds the AMEL for a given parameter, an alleged violation will be flagged and the Discharger will be considered out of compliance for each day of that month for that parameter (e.g., resulting in 31 days of non-compliance in a 31-day month). The average of daily discharges over the calendar month that exceeds the AMEL for a parameter will be considered out of compliance for that month only. If only a single sample is taken during the calendar month and the analytical result for that sample exceeds the AMEL, the Discharger will be considered out of compliance for that calendar month. For any one calendar month during which no sample (daily discharge) is taken, no compliance determination can be made for that calendar month.

### 7.4. Average Weekly Effluent Limitation (AWEL)

If the average of daily discharges over a calendar week exceeds the AWEL for a given parameter, an alleged violation will be flagged and the Discharger will be considered out of compliance for each day of that week for that parameter, resulting in seven days of noncompliance. The average of daily discharges over the calendar

week that exceeds the AWEL for a parameter will be considered out of compliance for that week only. If only a single sample is taken during the calendar week and the analytical result for that sample exceeds the AWEL, the Discharger will be considered out of compliance for that calendar week. For any one calendar week during which no sample (daily discharge) is taken, no compliance determination can be made for that calendar week.

**7.5. Maximum Daily Effluent Limitation (MDEL)**

If a daily discharge exceeds the MDEL for a given parameter, an alleged violation will be flagged and the Discharger will be considered out of compliance for that parameter for that one day only within the reporting period. For any one day during which no sample is taken, no compliance determination can be made for that day.

## ATTACHMENT A – DEFINITIONS

### **Arithmetic Mean ( $\mu$ )**

Also called the average, is the sum of measured values divided by the number of samples. For ambient water concentrations, the arithmetic mean is calculated as follows:

$$\text{Arithmetic mean } (\mu) = \frac{\sum x}{n}$$

where:  $\sum x$  is the sum of the measured ambient water concentrations, and  $n$  is the number of samples.

### **Average Monthly Effluent Limitation (AMEL)**

The highest allowable average of daily discharges over a calendar month, calculated as the sum of all daily discharges measured during a calendar month divided by the number of daily discharges measured during that month.

### **Average Weekly Effluent Limitation (AWEL)**

The highest allowable average of daily discharges over a calendar week (Sunday through Saturday), calculated as the sum of all daily discharges measured during a calendar week divided by the number of daily discharges measured during that week.

### **Bioaccumulative**

Those substances taken up by an organism from its surrounding medium through gill membranes, epithelial tissue, or from food and subsequently concentrated and retained in the body of the organism.

### **Calendar Year**

A period of time defined as twelve consecutive calendar months.

### **Carcinogenic**

Pollutants are substances that are known to cause cancer in living organisms.

### **Coefficient of Variation (CV)**

CV is a measure of the data variability and is calculated as the estimated standard deviation divided by the arithmetic mean of the observed values.

### **Daily Discharge**

Daily Discharge is defined as either: (1) the total mass of the constituent discharged over the calendar day (12:00 am through 11:59 pm) or any 24-hour period that reasonably represents a calendar day for purposes of sampling (as specified in the permit), for a constituent with limitations expressed in units of mass or; (2) the unweighted arithmetic mean measurement of the constituent over the day for a constituent with limitations expressed in other units of measurement (e.g., concentration).



The daily discharge may be determined by the analytical results of a composite sample taken over the course of one day (a calendar day or other 24-hour period defined as a day) or by the arithmetic mean of analytical results from one or more grab samples taken over the course of the day.

For composite sampling, if one day is defined as a 24-hour period other than a calendar day, the analytical result for the 24-hour period will be considered as the result for the calendar day in which the 24-hour period ends.

**Detected, but Not Quantified (DNQ)**

DNQ are those sample results less than the RL, but greater than or equal to the laboratory's MDL. Sample results reported as DNQ are estimated concentrations.

**Dilution Credit**

Dilution Credit is the amount of dilution granted to a discharge in the calculation of a water quality-based effluent limitation, based on the allowance of a specified mixing zone. It is calculated from the dilution ratio or determined through conducting a mixing zone study or modeling of the discharge and receiving water.

**Effluent Concentration Allowance (ECA)**

ECA is a value derived from the water quality criterion/objective, dilution credit, and ambient background concentration that is used, in conjunction with the coefficient of variation for the effluent monitoring data, to calculate a long-term average (LTA) discharge concentration. The ECA has the same meaning as wasteload allocation (WLA) as used in U.S. EPA guidance (Technical Support Document for Water Quality-based Toxics Control, March 1991, second printing, EPA/505/2-90-001).

**Enclosed Bays**

Enclosed Bays means indentations along the coast that enclose an area of oceanic water within distinct headlands or harbor works. Enclosed bays include all bays where the narrowest distance between the headlands or outermost harbor works is less than 75 percent of the greatest dimension of the enclosed portion of the bay. Enclosed bays include, but are not limited to, Humboldt Bay, Bodega Harbor, Tomales Bay, Drake's Estero, San Francisco Bay, Morro Bay, Los Angeles-Long Beach Harbor, Upper and Lower Newport Bay, Mission Bay, and San Diego Bay. Enclosed bays do not include inland surface waters or ocean waters.

**Estimated Chemical Concentration**

The estimated chemical concentration that results from the confirmed detection of the substance by the analytical method below the ML value.

**Estuaries**

Estuaries means waters, including coastal lagoons, located at the mouths of streams that serve as areas of mixing for fresh and ocean waters. Coastal lagoons and mouths of streams that are temporarily separated from the ocean by sandbars must be considered estuaries. Estuarine waters must be considered to extend from a bay or the open ocean to a point upstream where there is no significant mixing of fresh water and

seawater. Estuarine waters included, but are not limited to, the Sacramento-San Joaquin Delta, as defined in Water Code section 12220, Suisun Bay, Carquinez Strait downstream to the Carquinez Bridge, and appropriate areas of the Smith, Mad, Eel, Noyo, Russian, Klamath, San Diego, and Otay rivers. Estuaries do not include inland surface waters or ocean waters.

### **Inland Surface Waters**

All surface waters of the state that do not include the ocean, enclosed bays, or estuaries.

### **Instantaneous Maximum Effluent Limitation**

The highest allowable value for any single grab sample or aliquot (i.e., each grab sample or aliquot is independently compared to the instantaneous maximum limitation).

### **Instantaneous Minimum Effluent Limitation**

The lowest allowable value for any single grab sample or aliquot (i.e., each grab sample or aliquot is independently compared to the instantaneous minimum limitation).

### **Maximum Daily Effluent Limitation (MDEL)**

The highest allowable daily discharge of a pollutant, over a calendar day (or 24-hour period). For pollutants with limitations expressed in units of mass, the daily discharge is calculated as the total mass of the pollutant discharged over the day. For pollutants with limitations expressed in other units of measurement, the daily discharge is calculated as the arithmetic mean measurement of the pollutant over the day.

### **Median**

The middle measurement in a set of data. The median of a set of data is found by first arranging the measurements in order of magnitude (either increasing or decreasing order).

**If the number of measurements (n) is odd, then:**

$$\text{median} = \frac{X_{(n+1)}}{2}$$

**If n is even, then:**

$$\text{median} = \frac{X_{\frac{n}{2}} + X_{\frac{n}{2}+1}}{2}$$

(i.e., the midpoint between the  $(n/2)$  and  $((n/2)+1)$ )).

### **Method Detection Limit (MDL)**

MDL is the minimum concentration of a substance that can be reported with 99 percent confidence that the measured concentration is distinguishable from method blank results, as defined in 40 C.F.R. part 136, Attachment B.

### **Minimum Level (ML)**

ML is the concentration at which the entire analytical system must give a recognizable signal and acceptable calibration point. The ML is the concentration in a sample that is equivalent to the concentration of the lowest calibration standard analyzed by a specific analytical procedure, assuming that all the method specified sample weights, volumes, and processing steps have been followed.

**Mixing Zone**

Mixing Zone is a limited volume of receiving water that is allocated for mixing with a wastewater discharge where water quality criteria can be exceeded without causing adverse effects to the overall waterbody.

**Most Probable Number (MPN)**

A statistical estimate of the number of coliform-group organisms per unit volume of sample water. Expressed as a density or population of organisms per 100 mL of sample water.

**Not Detected (ND)**

Sample results which are less than the laboratory's MDL.

**Persistent Pollutants**

Persistent pollutants are substances for which degradation or decomposition in the environment is nonexistent or very slow.

**Pollutant Minimization Program (PMP)**

PMP means waste minimization and pollution prevention actions that include, but are not limited to, product substitution, waste stream recycling, alternative waste management methods, and education of the public and businesses. The goal of the PMP shall be to reduce all potential sources of a priority pollutant(s) through pollutant minimization (control) strategies, including pollution prevention measures as appropriate, to maintain the effluent concentration at or below the water quality-based effluent limitation. Pollution prevention measures may be particularly appropriate for persistent bioaccumulative priority pollutants where there is evidence that beneficial uses are being impacted. The Central Coast Water Board may consider cost effectiveness when establishing the requirements of a PMP. The completion and implementation of a Pollution Prevention Plan, if required pursuant to Water Code section 13263.3(d), must be considered to fulfill the PMP requirements.

**Pollution Prevention**

Pollution Prevention means any action that causes a net reduction in the use or generation of a hazardous substance or other pollutant that is discharged into water and includes, but is not limited to, input change, operational improvement, production process change, and product reformulation (as defined in Water Code section 13263.3). Pollution prevention does not include actions that merely shift a pollutant in wastewater from one environmental medium to another environmental medium, unless clear environmental benefits of such an approach are identified to the satisfaction of the State Water Resources Control Board (State Water Board) or Central Coast Water Board.

### **Reporting Level (RL)**

The RL is the ML (and its associated analytical method) chosen by the Discharger for reporting and compliance determination from the MLs included in this Order, including an additional factor if applicable as discussed herein. The MLs included in this Order correspond to approved analytical methods for reporting a sample result that are selected by the Central Coast Water Board either from Appendix 4 of the State Implementation Policy (SIP) in accordance with section 2.4.2 of the SIP or established in accordance with section 2.4.3 of the SIP. The ML is based on the proper application of method-based analytical procedures for sample preparation and the absence of any matrix interferences. Other factors may be applied to the ML depending on the specific sample preparation steps employed. For example, the treatment typically applied in cases where there are matrix-effects is to dilute the sample or sample aliquot by a factor of ten. In such cases, this additional factor must be applied to the ML in the computation of the RL.

### **Source of Drinking Water**

Any water designated as municipal or domestic supply (MUN) in a Central Coast Water Board Basin Plan.

### **Standard Deviation ( $\sigma$ )**

Standard Deviation is a measure of variability that is calculated as follows:

$$\text{Standard Deviation } (\sigma) = \frac{\sum(X-\mu)^2}{(n-1)^{0.5}}$$

where: x is the observed value;  $\mu$  is the arithmetic mean of the observed values; and n is the number of samples.

### **Toxicity Reduction Evaluation (TRE)**

TRE is a study conducted in a stepwise process designed to identify the causative agents of effluent or ambient toxicity, isolate the sources of toxicity, evaluate the effectiveness of toxicity control options, and then confirm the reduction in toxicity. The first steps of the TRE consist of the collection of data relevant to the toxicity, including additional toxicity testing, and an evaluation of facility operations and maintenance practices, and best management practices. A Toxicity Identification Evaluation (TIE) may be required as part of the TRE, if appropriate. (A TIE is a set of procedures to identify the specific chemical(s) responsible for toxicity. These procedures are performed in three phases (characterization, identification, and confirmation) using aquatic organism toxicity tests.)

**ATTACHMENT B – MAPS**

**Figure B-1: Satellite image of San Simeon general location**

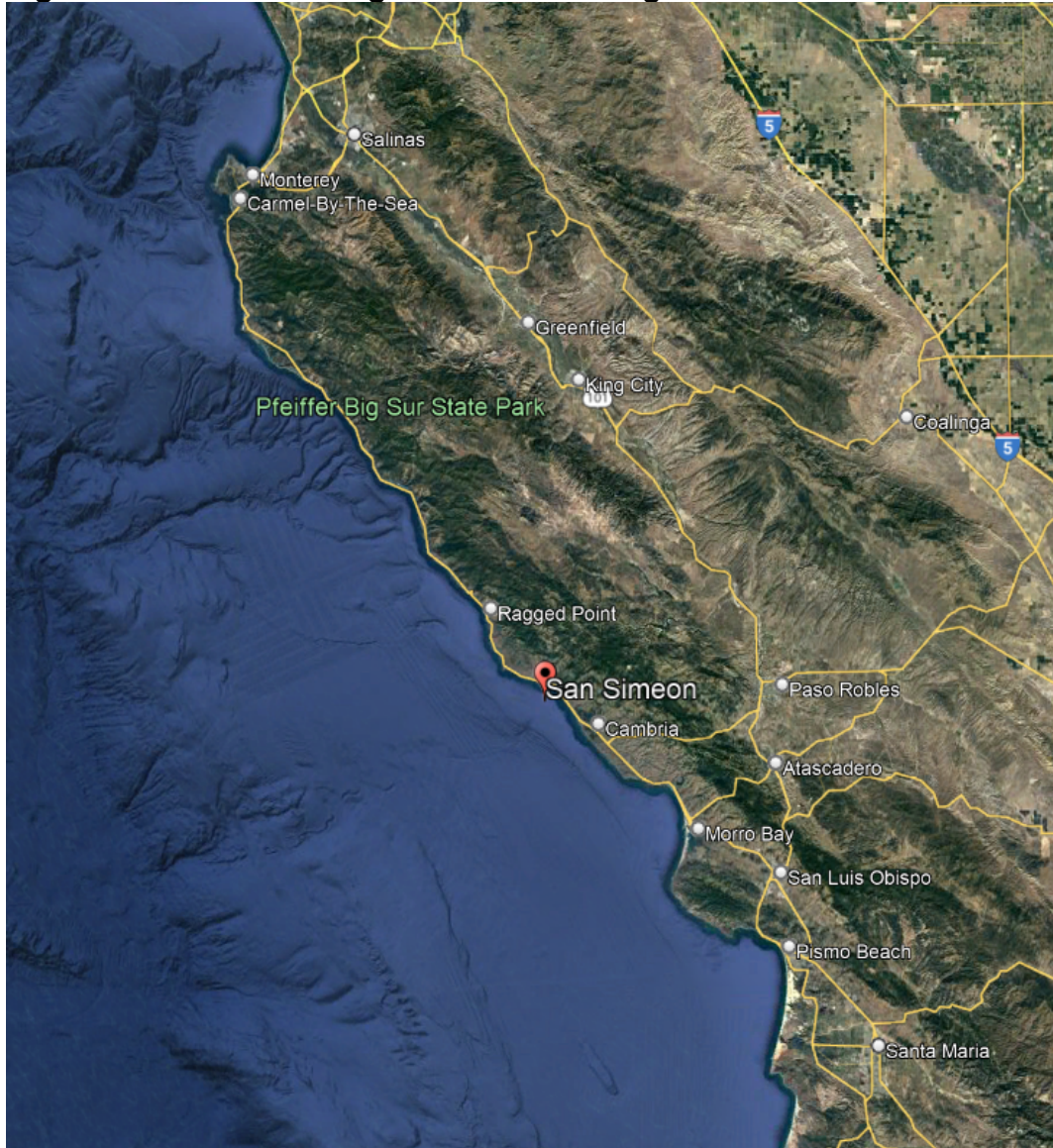
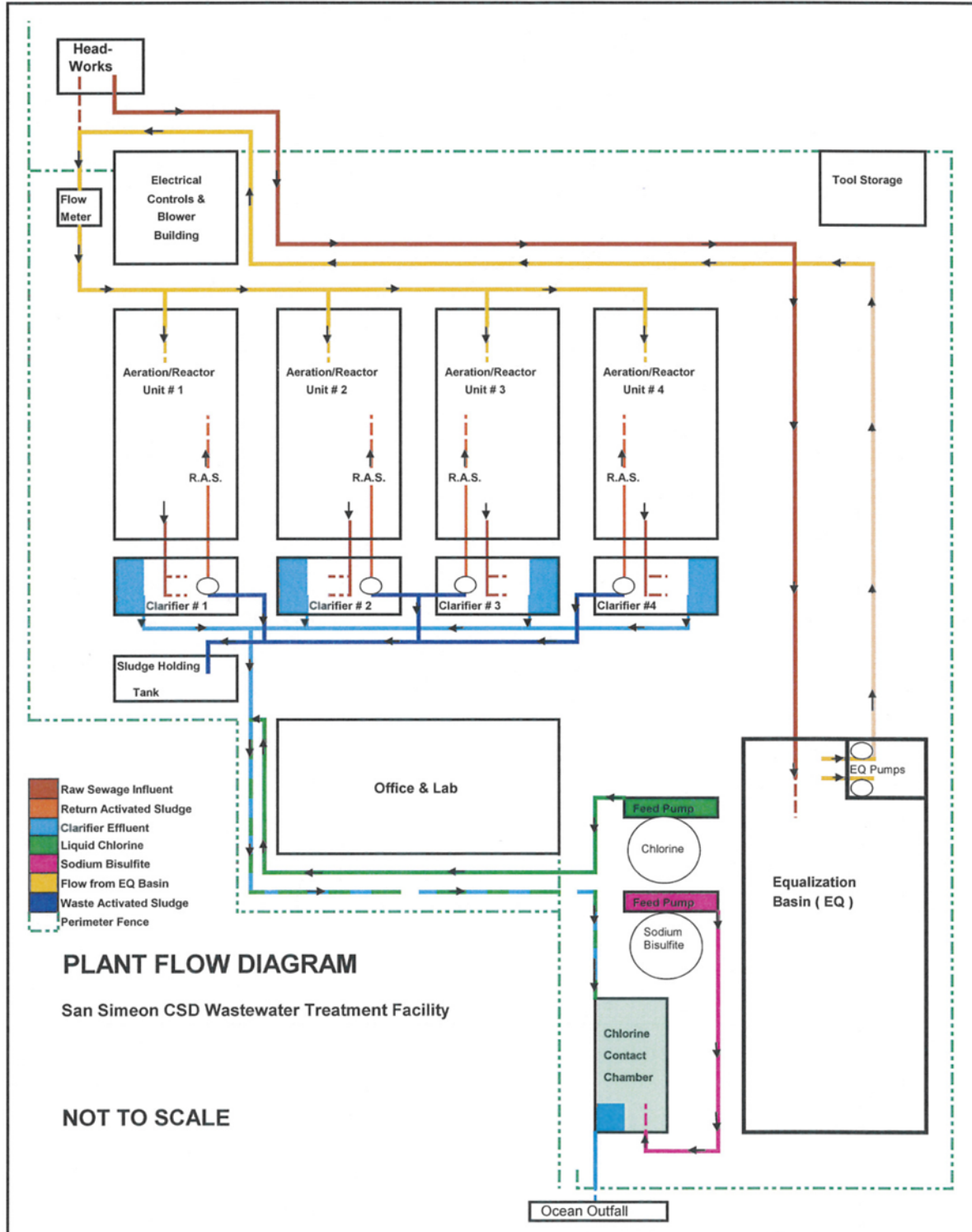


Figure B-2: Satellite image of San Simeon and plant location.



**ATTACHMENT C – FLOW SCHEMATICS**

**Figure C-1: Flow schematic of the wastewater treatment process at the San Simeon WWTP**



## **ATTACHMENT D – STANDARD PROVISIONS**

### **1. STANDARD PROVISIONS – PERMIT COMPLIANCE**

#### **1.1. Duty to Comply**

- 1.1.1. The Discharger must comply with all terms, requirements, and conditions of this Order. Any noncompliance constitutes a violation of the Clean Water Act (CWA) and the California Water Code and is grounds for enforcement action; permit termination, revocation and reissuance, or modification; denial of a permit renewal application; or a combination thereof. (40 C.F.R. § 122.41(a); Wat. Code, §§ 13261, 13263, 13265, 13268, 13000, 13001, 13304, 13350, 13385.)
- 1.1.2. The Discharger must comply with effluent standards or prohibitions established under Section 307(a) of the CWA for toxic pollutants within the time provided in the regulations that establish these standards or prohibitions, even if this Order has not yet been modified to incorporate the requirement. (40 C.F.R. § 122.41(a)(1).)

#### **1.2. Need to Halt or Reduce Activity Not a Defense**

It must not be a defense for a Discharger in an enforcement action that it would have been necessary to halt or reduce the permitted activity in order to maintain compliance with the conditions of this Order. (40 C.F.R. § 122.41(c).)

#### **1.3. Duty to Mitigate**

The Discharger must take all reasonable steps to minimize or prevent any discharge in violation of this Order that has a reasonable likelihood of adversely affecting human health or the environment. (40 C.F.R. § 122.41(d).)

#### **1.4. Proper Operation and Maintenance**

The Discharger must at all times properly operate and maintain all facilities and systems of treatment and control (and related appurtenances) which are installed or used by the Discharger to achieve compliance with the conditions of this Order. Proper operation and maintenance also include adequate laboratory controls and appropriate quality assurance procedures. This provision requires the operation of backup or auxiliary facilities or similar systems that are installed by a Discharger only when necessary to achieve compliance with the conditions of this Order. (40 C.F.R. § 122.41(e).)

#### **1.5. Property Rights**

- 1.5.1. This Order does not convey any property rights of any sort or any exclusive privileges. (40 C.F.R. § 122.41(g).)



1.5.2. The issuance of this Order does not authorize any injury to persons or property or invasion of other private rights, or any infringement of state or local law or regulations. (40 C.F.R. § 122.5(c).)

### 1.6. Inspection and Entry

The Discharger must allow the Central Coast Water Board, State Water Board, U.S. Environmental Protection Agency (U.S. EPA), and/or their authorized representatives (including an authorized contractor acting as their representative), upon the presentation of credentials and other documents, as may be required by law, to (33 U.S.C. § 1318(a)(4)(B); 40 C.F.R. § 122.41(i); Wat. Code, §§ 13267, 13383):

- 1.6.1. Enter upon the Discharger's premises where a regulated facility or activity is located or conducted, or where records are kept under the conditions of this Order (33 U.S.C. § 1318(a)(4)(B)(i); 40 C.F.R. § 122.41(i)(1); Wat. Code, §§ 13267, 13383);
- 1.6.2. Have access to and copy, at reasonable times, any records that must be kept under the conditions of this Order (33 U.S.C. § 1318(a)(4)(B)(ii); 40 C.F.R. § 122.41(i)(2); Wat. Code, §§ 13267, 13383);
- 1.6.3. Inspect and photograph, at reasonable times, any facilities, equipment (including monitoring and control equipment), practices, or operations regulated or required under this Order (33 U.S.C. § 1318(a)(4)(B)(ii); 40 C.F.R. § 122.41(i)(3); Wat. Code, §§ 13267, 13383); and
- 1.6.4. Sample or monitor, at reasonable times, for the purposes of assuring Order compliance or as otherwise authorized by the CWA or the Water Code, any substances or parameters at any location. (33 U.S.C. § 1318(a)(4)(B); 40 C.F.R. § 122.41(i)(4); Wat. Code, §§ 13267, 13383.)

### 1.7. Bypass

#### 1.7.1. Definitions

- 1.7.1.1. "Bypass" means the intentional diversion of waste streams from any portion of a treatment facility. (40 C.F.R. § 122.41(m)(1)(i).)
- 1.7.1.2. "Severe property damage" means substantial physical damage to property, damage to the treatment facilities, which causes them to become inoperable, or substantial and permanent loss of natural resources that can reasonably be expected to occur in the absence of a bypass. Severe property damage does not mean economic loss caused by delays in production. (40 C.F.R. § 122.41(m)(1)(ii).)

1.7.2. **Bypass not exceeding limitations.** The Discharger may allow any bypass to occur which does not cause exceedances of effluent limitations, but only if it is for essential maintenance to assure efficient operation. These bypasses are not subject to the provisions listed in Standard Provisions – Permit Compliance 1.7.3, 1.7.4, and 1.7.5 below. (40 C.F.R. § 122.41(m)(2).)

- 1.7.3. **Prohibition of bypass.** Bypass is prohibited, and the Central Coast Water Board may take enforcement action against a Discharger for bypass, unless (40 C.F.R. § 122.41(m)(4)(i)):
- 1.7.3.1. Bypass was unavoidable to prevent loss of life, personal injury, or severe property damage (40 C.F.R. § 122.41(m)(4)(i)(A));
  - 1.7.3.2. There were no feasible alternatives to the bypass, such as the use of auxiliary treatment facilities, retention of untreated wastes, or maintenance during normal periods of equipment downtime. This condition is not satisfied if adequate back up equipment should have been installed in the exercise of reasonable engineering judgment to prevent a bypass that occurred during normal periods of equipment downtime or preventive maintenance (40 C.F.R. § 122.41(m)(4)(i)(B)); and
  - 1.7.3.3. The Discharger submitted notice to the Central Coast Water Board as required under Standard Provisions – Permit Compliance 1.7.5 below. (40 C.F.R. § 122.41(m)(4)(i)(C).)
- 1.7.4. The Central Coast Water Board may approve an anticipated bypass, after considering its adverse effects, if the Central Coast Water Board determines that it will meet the three conditions listed in Standard Provisions – Permit Compliance 1.7.3 above. (40 C.F.R. § 122.41(m)(4)(ii).)

#### 1.7.5. Notice

- 1.7.5.1. **Anticipated bypass.** If the Discharger knows in advance of the need for a bypass, it must submit prior notice, if possible at least 10 days before the date of the bypass. The notice must be sent to the Central Coast Water Board. As of December 21, 2023, notice must be submitted electronically to the initial recipient defined in Standard Provisions – Reporting 5.10 below. Notices must comply with 40 C.F.R. part 3, 40 C.F.R. section 122.22, and 40 C.F.R. part 127. (40 C.F.R. § 122.41(m)(3)(i).)
- 1.7.5.2. **Unanticipated bypass.** The Discharger must submit a notice of an unanticipated bypass as required in Standard Provisions - Reporting 5.5 below (24-hour notice). The notice must be sent to the Central Coast Water Board. As of December 21, 2023, notice must be submitted electronically to the initial recipient defined in Standard Provisions – Reporting 5.10 below. Notices must comply with 40 C.F.R. part 3, 40 C.F.R. section 122.22, and 40 C.F.R. part 127. (40 C.F.R. § 122.41(m)(3)(ii).)

#### 1.8. Upset

Upset means an exceptional incident in which there is unintentional and temporary noncompliance with technology-based permit effluent limitations because of factors beyond the reasonable control of the Discharger. An upset does not include noncompliance to the extent caused by operational error, improperly designed treatment facilities, inadequate treatment facilities, lack of preventive maintenance, or careless or improper operation. (40 C.F.R. § 122.41(n)(1).)

- 1.8.1. **Effect of an upset.** An upset constitutes an affirmative defense to an action brought for noncompliance with such technology-based permit effluent limitations if the requirements of Standard Provisions – Permit Compliance 1.8.2 below are met. No determination made during administrative review of claims that noncompliance was caused by upset, and before an action for noncompliance, is final administrative action subject to judicial review. (40 C.F.R. § 122.41(n)(2).)
- 1.8.2. **Conditions necessary for a demonstration of upset.** A Discharger who wishes to establish the affirmative defense of upset must demonstrate, through properly signed, contemporaneous operating logs or other relevant evidence that (40 C.F.R. § 122.41(n)(3)):
- 1.8.2.1. An upset occurred and that the Discharger can identify the cause(s) of the upset (40 C.F.R. § 122.41(n)(3)(i));
- 1.8.2.2. The permitted facility was, at the time, being properly operated (40 C.F.R. § 122.41(n)(3)(ii));
- 1.8.2.3. The Discharger submitted notice of the upset as required in Standard Provisions – Reporting 5.5.2.2 below (24-hour notice) (40 C.F.R. § 122.41(n)(3)(iii)); and
- 1.8.2.4. The Discharger complied with any remedial measures required under Standard Provisions – Permit Compliance 1.3 above. (40 C.F.R. § 122.41(n)(3)(iv).)
- 1.8.3. **Burden of proof.** In any enforcement proceeding, the Discharger seeking to establish the occurrence of an upset has the burden of proof. (40 C.F.R. § 122.41(n)(4).)

## 2. STANDARD PROVISIONS – PERMIT ACTION

### 2.1. General

This Order may be modified, revoked and reissued, or terminated for cause. The filing of a request by the Discharger for modification, revocation and reissuance, or termination, or a notification of planned changes or anticipated noncompliance does not stay any Order condition. (40 C.F.R. § 122.41(f).)

### 2.2. Duty to Reapply

If the Discharger wishes to continue an activity regulated by this Order after the expiration date of this Order, the Discharger must apply for and obtain a new permit. (40 C.F.R. § 122.41(b).)

### 2.3. Transfers

This Order is not transferable to any person except after notice to the Central Coast Water Board. The Central Coast Water Board may require modification or revocation and reissuance of the Order to change the name of the Discharger and incorporate such other requirements as may be necessary under the CWA and the Water Code. (40 C.F.R. §§ 122.41(l)(3), 122.61.)

### **3. STANDARD PROVISIONS – MONITORING**

- 3.1. Samples and measurements taken for the purpose of monitoring must be representative of the monitored activity. (40 C.F.R. § 122.41(j)(1).)
- 3.2. Monitoring must be conducted according to test procedures approved under 40 C.F.R. part 136 for the analyses of pollutants unless another method is required under 40 C.F.R. chapter 1, subchapter N. Monitoring must be conducted according to sufficiently sensitive test methods approved under 40 C.F.R. part 136 for the analysis of pollutants or pollutant parameters or as required under 40 C.F.R. chapter 1, subchapter N. For the purposes of this paragraph, a method is sufficiently sensitive when:
  - 3.2.1. The method minimum level (ML) is at or below the level of the most stringent effluent limitation established in the permit for the measured pollutant or pollutant parameter, and either the method ML is at or below the level of the most stringent applicable water quality criterion for the measured pollutant or pollutant parameter or the method ML is above the applicable water quality criterion but the amount of the pollutant or pollutant parameter in the facility's discharge is high enough that the method detects and quantifies the level of the pollutant or pollutant parameter in the discharge; or
  - 3.2.2. The method has the lowest ML of the analytical methods approved under 40 C.F.R. part 136 or required under 40 C.F.R. chapter 1, subchapter N for the measured pollutant or pollutant parameter. In the case of pollutants or pollutant parameters for which there are no approved methods under 40 C.F.R. part 136 or otherwise required under 40 C.F.R. chapter 1, subchapter N, monitoring must be conducted according to a test procedure specified in this Order for such pollutants or pollutant parameters. (40 C.F.R. §§ 122.21(e)(3), 122.41(j)(4), 122.44(l)(1)(iv).)

### **4. STANDARD PROVISIONS – RECORDS**

- 4.1. The Discharger must retain records of all monitoring information, including all calibration and maintenance records and all original strip chart recordings for continuous monitoring instrumentation, copies of all reports required by this Order, and records of all data used to complete the application for this Order, for a period of at least three (3) years from the date of the sample, measurement, report or application. This period may be extended by request of the Central Coast Water Board Executive Officer at any time. (40 C.F.R. § 122.41(j)(2).)
- 4.2. **Records of monitoring information must include:**
  - 4.2.1. The date, exact place, and time of sampling or measurements (40 C.F.R. § 122.41(j)(3)(i));
  - 4.2.2. The individual(s) who performed the sampling or measurements (40 C.F.R. § 122.41(j)(3)(ii));
  - 4.2.3. The date(s) analyses were performed (40 C.F.R. § 122.41(j)(3)(iii));
  - 4.2.4. The individual(s) who performed the analyses (40 C.F.R. § 122.41(j)(3)(iv));

- 4.2.5. The analytical techniques or methods used (40 C.F.R. § 122.41(j)(3)(v)); and
- 4.2.6. The results of such analyses. (40 C.F.R. § 122.41(j)(3)(vi).)

**4.3. Claims of confidentiality for the following information will be denied (40 C.F.R. § 122.7(b)):**

- 4.3.1. The name and address of any permit applicant or Discharger (40 C.F.R. § 122.7(b)(1)); and
- 4.3.2. Permit applications and attachments, permits and effluent data. (40 C.F.R. § 122.7(b)(2).)

**5. STANDARD PROVISIONS – REPORTING**

**5.1. Duty to Provide Information**

The Discharger must furnish to the Central Coast Water Board, State Water Board, or U.S. EPA within a reasonable time, any information which the Central Coast Water Board, State Water Board, or U.S. EPA may request to determine whether cause exists for modifying, revoking and reissuing, or terminating this Order or to determine compliance with this Order. Upon request, the Discharger must also furnish to the Central Coast Water Board, State Water Board, or U.S. EPA copies of records required to be kept by this Order. (40 C.F.R. § 122.41(h); Wat. Code, §§ 13267, 13383.)

**5.2. Signatory and Certification Requirements**

- 5.2.1. All applications, reports, or information submitted to the Central Coast Water Board, State Water Board, and/or U.S. EPA must be signed and certified in accordance with Standard Provisions – Reporting 5.2.2, 5.2.3, 5.2.4, 5.2.5, and 5.2.6 below. (40 C.F.R. § 122.41(k).)
- 5.2.2. All permit applications must be signed by either a principal executive officer or ranking elected official. For purposes of this provision, a principal executive officer of a federal agency includes: (i) the chief executive officer of the agency, or (ii) a senior executive officer having responsibility for the overall operations of a principal geographic unit of the agency (e.g., Regional Administrators of U.S. EPA). (40 C.F.R. § 122.22(a)(3).)
- 5.2.3. All reports required by this Order and other information requested by the Central Coast Water Board, State Water Board, or U.S. EPA must be signed by a person described in Standard Provisions – Reporting 5.2.2 above, or by a duly authorized representative of that person. A person is a duly authorized representative only if:
  - 5.2.3.1. The authorization is made in writing by a person described in Standard Provisions – Reporting 5.2.2 above (40 C.F.R. § 122.22(b)(1));

- 5.2.3.2. The authorization specifies either an individual or a position having responsibility for the overall operation of the regulated facility or activity such as the position of plant manager, operator of a well or a well field, superintendent, position of equivalent responsibility, or an individual or position having overall responsibility for environmental matters for the company. (A duly authorized representative may thus be either a named individual or any individual occupying a named position.) (40 C.F.R. § 122.22(b)(2)); and
- 5.2.3.3. The written authorization is submitted to the Central Coast Water Board and State Water Board. (40 C.F.R. § 122.22(b)(3).)
- 5.2.4. If an authorization under Standard Provisions – Reporting 5.2.3 above is no longer accurate because a different individual or position has responsibility for the overall operation of the facility, a new authorization satisfying the requirements of Standard Provisions – Reporting 5.2.3 above must be submitted to the Central Coast Water Board and State Water Board prior to or together with any reports, information, or applications, to be signed by an authorized representative. (40 C.F.R. § 122.22(c).)
- 5.2.5. Any person signing a document under Standard Provisions – Reporting 5.2.2 or 5.2.3 above must make the following certification:
- “I certify under penalty of law that this document and all attachments were prepared under my direction or supervision in accordance with a system designed to assure that qualified personnel properly gather and evaluate the information submitted. Based on my inquiry of the person or persons who manage the system or those persons directly responsible for gathering the information, the information submitted is, to the best of my knowledge and belief, true, accurate, and complete. I am aware that there are significant penalties for submitting false information, including the possibility of fine and imprisonment for knowing violations.” (40 C.F.R. § 122.22(d).)
- 5.2.6. Any person providing the electronic signature for documents described in Standard Provisions – 5.2.1, 5.2.2, or 5.2.3 that are submitted electronically must meet all relevant requirements of Standard Provisions – Reporting 5.2, and must ensure that all relevant requirements of 40 C.F.R. part 3 (Cross-Media Electronic Reporting) and 40 C.F.R. part 127 (NPDES Electronic Reporting Requirements) are met for that submission. (40 C.F.R. § 122.22(e).)

### 5.3. Monitoring Reports

- 5.3.1. Monitoring results must be reported at the intervals specified in the Monitoring and Reporting Program (Attachment E) in this Order. (40 C.F.R. § 122.41(l)(4).)
- 5.3.2. Monitoring results must be reported on a Discharge Monitoring Report (DMR) form or forms provided or specified by the Central Coast Water Board or State Water Board. All reports and forms must be submitted electronically to the initial recipient defined in Standard Provisions – Reporting 5.10 and comply with 40 C.F.R. part 3, 40 C.F.R. section 122.22, and 40 C.F.R. part 127. (40 C.F.R. § 122.41(l)(4)(i).)

- 5.3.3. If the Discharger monitors any pollutant more frequently than required by this Order using test procedures approved under 40 C.F.R. part 136, or another method required for an industry-specific waste stream under 40 C.F.R. chapter 1, subchapter N, the results of such monitoring must be included in the calculation and reporting of the data submitted in the DMR or reporting form specified by the Central Coast Water Board or State Water Board. (40 C.F.R. § 122.41(l)(4)(ii).)
- 5.3.4. Calculations for all limitations, which require averaging of measurements, must utilize an arithmetic mean unless otherwise specified in this Order. (40 C.F.R. § 122.41(l)(4)(iii).)

#### 5.4. Compliance Schedules

Reports of compliance or noncompliance with, or any progress reports on, interim and final requirements contained in any compliance schedule of this Order, must be submitted no later than 14 days following each schedule date. (40 C.F.R. § 122.41(l)(5).)

#### 5.5. Twenty-Four Hour Reporting

- 5.5.1. The Discharger must report any noncompliance which may endanger health or the environment. Any information must be provided orally within 24 hours from the time the Discharger becomes aware of the circumstances. A report must also be provided within five (5) days of the time the Discharger becomes aware of the circumstances. The report must contain a description of the noncompliance and its cause; the period of noncompliance, including exact dates and times, and if the noncompliance has not been corrected, the anticipated time it is expected to continue; and steps taken or planned to reduce, eliminate, and prevent recurrence of the noncompliance.

For noncompliance events related to combined sewer overflows, sanitary sewer overflows, or bypass events, these reports must include the data described above (with the exception of time of discovery) as well as the type of event (i.e., combined sewer overflow, sanitary sewer overflow, or bypass event), type of overflow structure (e.g., manhole, combined sewer overflow outfall), discharge volume untreated by the treatment works treating domestic sewage, types of human health and environmental impacts of the event, and whether the noncompliance was related to wet weather.

As of December 21, 2023, all reports related to combined sewer overflows, sanitary sewer overflows, or bypass events must be submitted to the Central Coast Water Board and must be submitted electronically to the initial recipient defined in Standard Provisions – Reporting 5.10 The reports must comply with 40 C.F.R. part 3, 40 C.F.R. section 122.22, and 40 C.F.R. part 127. The Central Coast Water Board may also require the Discharger to electronically submit reports not related to combined sewer overflows, sanitary sewer overflows, or bypass events under this section. (40 C.F.R. § 122.41(l)(6)(i).)

- 5.5.2. The following must be included as information that must be reported within 24 hours:

5.5.2.1. Any unanticipated bypass that exceeds any effluent limitation in this Order. (40 C.F.R. § 122.41(l)(6)(ii)(A).)

5.5.2.2. Any upset that exceeds any effluent limitation in this Order. (40 C.F.R. § 122.41(l)(6)(ii)(B).)

5.5.3. The Central Coast Water Board may waive the above required written report on a case-by-case basis if an oral report has been received within 24 hours. (40 C.F.R. § 122.41(l)(6)(ii)(B).)

#### **5.6. Planned Changes**

The Discharger must give notice to the Central Coast Water Board as soon as possible of any planned physical alterations or additions to the permitted facility. Notice is required under this provision only when (40 C.F.R. § 122.41(l)(1)):

5.6.1. The alteration or addition to a permitted facility may meet one of the criteria for determining whether a facility is a new source in section 122.29(b) (40 C.F.R. § 122.41(l)(1)(i)); or

5.6.2. The alteration or addition could significantly change the nature or increase the quantity of pollutants discharged. This notification applies to pollutants that are not subject to effluent limitations in this Order. (40 C.F.R. § 122.41(l)(1)(ii).)

#### **5.7. Anticipated Noncompliance**

The Discharger must give advance notice to the Central Coast Water Board of any planned changes in the permitted facility or activity that may result in noncompliance with this Order's requirements. (40 C.F.R. § 122.41(l)(2).)

#### **5.8. Other Noncompliance**

The Discharger must report all instances of noncompliance not reported under Standard Provisions – Reporting 5.3, 5.4, and 5.5 above at the time monitoring reports are submitted. The reports must contain the information listed in Standard Provision – Reporting 5.5 above. For noncompliance events related to combined sewer overflows, sanitary sewer overflows, or bypass events, these reports must contain the information described in Standard Provision – Reporting 5.5 and the applicable required data in appendix A to 40 C.F.R. part 127. The Central Coast Water Board may also require the Discharger to electronically submit reports not related to combined sewer overflows, sanitary sewer overflows, or bypass events under this section. (40 C.F.R. § 122.41(l)(7).)

#### **5.9 Other Information**

When the Discharger becomes aware that it failed to submit any relevant facts in a permit application, or submitted incorrect information in a permit application or in any report to the Central Coast Water Board, State Water Board, or U.S. EPA, the Discharger must promptly submit such facts or information. (40 C.F.R. § 122.41(l)(8).)



### 5.10. Initial Recipient for Electronic Reporting Data

The owner, operator, or the duly authorized representative is required to electronically submit NPDES information specified in appendix A to 40 C.F.R. part 127 to the initial recipient defined in 40 C.F.R. section 127.2(b). U.S. EPA will identify and publish the list of initial recipients on its website and in the Federal Register, by state and by NPDES data group [see 40 C.F.R. section 127.2(c)]. U.S. EPA will update and maintain this listing. (40 C.F.R. § 122.41(l)(9).)

## 6. STANDARD PROVISIONS – ENFORCEMENT

6.1. The Central Coast Water Board is authorized to enforce the terms of this permit under several provisions of the Water Code, including, but not limited to, sections 13268, 13385, 13386, and 13387.

## 7. ADDITIONAL PROVISIONS – NOTIFICATION LEVELS

### 7.1. Non-Municipal Facilities

Existing manufacturing, commercial, mining, and silvicultural Dischargers must notify the Central Coast Water Board as soon as they know or have reason to believe (40 C.F.R. § 122.42(a)):

7.1.1. That any activity has occurred or will occur that would result in the discharge, on a routine or frequent basis, of any toxic pollutant that is not limited in this Order, if that discharge will exceed the highest of the following "notification levels" (40 C.F.R. § 122.42(a)(1)):

7.1.1.1. 100 micrograms per liter ( $\mu\text{g/L}$ ) (40 C.F.R. § 122.42(a)(1)(i));

7.1.1.2. 200  $\mu\text{g/L}$  for acrolein and acrylonitrile; 500  $\mu\text{g/L}$  for 2,4 dinitrophenol and 2 methyl 4,6 dinitrophenol; and 1 milligram per liter ( $\text{mg/L}$ ) for antimony (40 C.F.R. § 122.42(a)(1)(ii));

7.1.1.3. Five (5) times the maximum concentration value reported for that pollutant in the Report of Waste Discharge (40 C.F.R. § 122.42(a)(1)(iii)); or

7.1.1.4. The level established by the Central Coast Water Board in accordance with section 122.44(f). (40 C.F.R. § 122.42(a)(1)(iv).)

7.1.2. That any activity has occurred or will occur that would result in the discharge, on a non-routine or infrequent basis, of any toxic pollutant that is not limited in this Order, if that discharge will exceed the highest of the following "notification levels" (40 C.F.R. § 122.42(a)(2)):

7.1.2.1. 500 micrograms per liter ( $\mu\text{g/L}$ ) (40 C.F.R. § 122.42(a)(2)(i));

7.1.2.2. 1 milligram per liter ( $\text{mg/L}$ ) for antimony (40 C.F.R. § 122.42(a)(2)(ii));

7.1.2.3. Ten (10) times the maximum concentration value reported for that pollutant in the Report of Waste Discharge (40 C.F.R. § 122.42(a)(2)(iii)); or

7.1.2.4. The level established by the Central Coast Water Board in accordance with section 122.44(f). (40 C.F.R. § 122.42(a)(2)(iv).)

## 7.2. Publicly Owned Treatment Works (POTWs)

All POTWs must provide adequate notice to the Central Coast Water Board of the following (40 C.F.R. § 122.42(b)):

- 7.2.1. Any new introduction of pollutants into the POTW from an indirect discharger that would be subject to sections 301 or 306 of the CWA if it were directly discharging those pollutants (40 C.F.R. § 122.42(b)(1)); and
- 7.2.2. Any substantial change in the volume or character of pollutants being introduced into that POTW by a source introducing pollutants into the POTW at the time of adoption of the Order. (40 C.F.R. § 122.42(b)(2).)
- 7.2.3. Adequate notice must include information on the quality and quantity of effluent introduced into the POTW as well as any anticipated impact of the change on the quantity or quality of effluent to be discharged from the POTW. (40 C.F.R. § 122.42(b)(3).)

## 8. CENTRAL COAST WATER BOARD STANDARD PROVISIONS

### 8.1. Central Coast Water Board Standard Provisions – Prohibitions

- 8.1.1. Introduction of “incompatible wastes” to the treatment system is prohibited.
- 8.1.2. Discharge of high-level radiological waste and of radiological, chemical, and biological warfare agents is prohibited.
- 8.1.3. Discharge of “toxic pollutants” in violation of effluent standards and prohibitions established under section 307(a) of the Clean Water Act (CWA) is prohibited.
- 8.1.4. Discharge of sludge, sludge digester or thickener supernatant, and sludge drying bed leachate to drainageways, surface waters, or the ocean is prohibited.
- 8.1.5. Introduction of pollutants into the collection, treatment, or disposal system by and “indirect discharger” that:
  - 8.1.5.1. Inhibit or disrupt the treatment process, system operation, or the eventual use or disposal of sludge; or,
  - 8.1.5.2. Flow through the system to the receiving water untreated; and,
  - 8.1.5.3. Cause or “significantly contribute” to a violation of any requirement of this Order, is prohibited.
- 8.1.6. Introduction of “pollutant free” wastewater to the collection, treatment, and disposal system in amounts that threaten compliance with this order is prohibited.

### 8.2. Central Coast Water Board Standard Provisions – Provisions

- 8.2.1. Collection, treatment, and discharge of waste must not create a nuisance or pollution, as defined by California Water Code (CWC) section 13050.
- 8.2.2. All facilities used for transport or treatment of wastes must be adequately protected from inundation and washout as the result of a 100-year frequency flood.

- 8.2.3. Operation of collection, treatment, and disposal systems must be in a manner that precludes public contact with wastewater.
- 8.2.4. Collected screenings, sludges, and other solids removed from liquid wastes must be disposed in a manner approved by the Central Coast Water Board Executive Officer.
- 8.2.5. Publicly owned wastewater treatment plants must be supervised and operated by persons possessing certificates of appropriate grade pursuant to Title 23 of the California Administrative Code.
- 8.2.6. After notice and opportunity for a hearing, this order may be terminated for cause, including, but not limited to:
- 8.2.6.1. Violation of any term or condition contained in this order;
- 8.2.6.2. Obtaining this order by misrepresentation, or by failure to disclose fully all relevant facts;
- 8.2.6.3. A change in any condition or endangerment to human health or environment that requires a temporary or permanent reduction or elimination of the authorized discharge; and,
- 8.2.6.4. A substantial change in character, location, or volume of the discharge.
- 8.2.7. Provisions of this permit are severable. If any provision of the permit is found invalid, the remainder of the permit must not be affected.
- 8.2.8. After notice and opportunity for hearing, this order may be modified or revoked and reissued for cause, including:
- 8.2.8.1. Promulgation of a new or revised effluent standard or limitation;
- 8.2.8.2. A material change in character, location, or volume of the discharge;
- 8.2.8.3. Access to new information that affects the terms of the permit, including applicable schedules;
- 8.2.8.4. Correction of technical mistakes or mistaken interpretations of law; and,
- 8.2.8.5. Other causes set forth under Sub-part D of 40 C.F.R. part 122.
- 8.2.9. Safeguards must be provided to ensure maximal compliance with all terms and conditions of this permit. Safeguards must include preventative and contingency plans and may also include alternative power sources, stand-by generators, retention capacity, operative procedures, or other precautions. Preventative and contingency plans for controlling and minimizing the effect of accidental discharges must:
- 8.2.9.1. Identify possible situations that could cause “upset,” “overflow,” or “bypass,” or other noncompliance. (Loading and storage areas, power outage, waste treatment unit outage, and failure of process equipment, tanks and pipes should be considered).

- 8.2.9.2. Evaluate the effectiveness of present facilities and procedures and describe procedures and steps to minimize or correct any adverse environmental impact resulting from noncompliance with the permit.
- 8.2.10. Physical facilities must be designed and constructed according to accepted engineering practice and must be capable of full compliance with this order when properly operated and maintained. Proper operation and maintenance must be described in an Operation and Maintenance Manual. Facilities must be accessible during the wet-weather season.
- 8.2.11. The discharger must at all times properly operate and maintain all facilities and systems of treatment and control (and related appurtenances) that are installed or used by the discharger to achieve compliance with the conditions of this order. Electrical and mechanical equipment must be maintained in accordance with appropriate practices and standards, such as NFPA 70B, Recommended Practice for Electrical Equipment Maintenance; NFPA 70E, Standard for Electrical Safety in the Workplace; ANSI/NETA MTS Standard for Maintenance: Testing Specifications for Electrical Power Equipment and Systems, or procedures established by insurance companies or industry resources.
- 8.2.12. If the discharger's facilities are equipped with SCADA or other systems that implement wireless, remote operation, the discharger should implement appropriate safeguards against unauthorized access to the wireless systems. Standards such as NIST SP 800-53, Recommended Security Controls for Federal Information Systems, can provide guidance.
- 8.2.13. Production and use of reclaimed water is subject to the approval of the Central Coast Water Board. Production and use of reclaimed water must be in conformance with recycling criteria established in chapter 3, title 22, of the California Administrative Code and chapter 7, division 7, of the CWC. An engineering report pursuant to section 60323, title 22, of the California Administrative Code is required and a waiver or water recycling requirements from the Central Coast Water Board is required before reclaimed water is supplied for any use, or to any user, not specifically identified and approved either in this Order or another order issued by the Central Coast Water Board.

### **8.3. Central Coast Water Board Standard Provisions – General Monitoring Requirements**

- 8.3.1. If results of monitoring a pollutant appear to violate effluent limitations based on a weekly, monthly, 30-day, or six-month period, but compliance or non-compliance cannot be validated because sampling is too infrequent, the frequency of sampling must be increased to validate the test within the next monitoring period. The increased frequency must be maintained until the Central Coast Water Board Executive Officer agrees the original monitoring frequency may be resumed.

For example, if copper is monitored annually and results exceed the six-month median numerical effluent limitation in the permit, monitoring of copper must be increased to a frequency of at least once every two months (Central Coast Water

Board Standard Provisions – Definitions 1.7.13.). If suspended solids are monitored weekly and results exceed the weekly average numerical limit in the permit, monitoring of suspended solids must be increased to at least four (4) samples every week (Central Coast Water Board Standard Provisions – Definitions 1.7.14.).

- 8.3.2. Water quality analyses performed in order to monitor compliance with this permit must be by a laboratory certified by the State Water Board Division of Drinking Water for the constituent(s) being analyzed. Bioassay(s) performed in order to monitor compliance with this permit must be in accord with guidelines approved by the State Water Resources Control Board (State Water Board) and the State Department of Fish and Game. If the laboratory used or proposed for use by the discharger is not certified by the Division of Drinking Water or, where appropriate, the Department of Fish and Game due to restrictions in the State's laboratory certification program, the discharger must be considered in compliance with this provision provided:
- 8.3.2.1. Data results remain consistent with results of samples analyzed by the Central Coast Water Board;
- 8.3.2.2. A quality assurance program is used at the laboratory, including a manual containing steps followed in this program that is available for inspections by the staff of the Central Coast Water Board; and,
- 8.3.2.3. Certification is pursued in good faith and obtained as soon as possible after the program is reinstated.
- 8.3.3. Samples and measurements taken for the purpose of monitoring must be representative of the monitored activity. Samples must be taken during periods of peak loading conditions. Influent samples must be samples collected from the combined flows of all incoming wastes, excluding recycled wastes. Effluent samples must be samples collected downstream of the last treatment unit and tributary flow and upstream of any mixing with receiving waters.
- 8.3.4. All monitoring instruments and devices used by the discharger to fulfill the prescribed monitoring program must be properly maintained and calibrated as necessary to ensure their continued accuracy.

#### **8.4. Central Coast Water Board Standard Provisions – General Reporting Requirements**

- 8.4.1. Reports of marine monitoring surveys conducted to meet receiving water monitoring requirements of the Monitoring and Reporting Program must include at least the following information:
- 8.4.1.1. A description of climatic and receiving water characteristics at the time of sampling (weather observations, floating debris, discoloration, wind speed and direction, swell or wave action, time of sampling, tide height, etc.).

- 8.4.1.2. A description of sampling stations, including differences unique to each station (e.g., station location, grain size, rocks, shell litter, calcareous worm tubes, evident life, etc.).
- 8.4.1.3. A description of the sampling procedures and preservation sequence used in the survey.
- 8.4.1.4. A description of the exact method used for laboratory analysis. In general, analysis must be conducted according to Central Coast Water Board Standard Provisions – 8.3.1 above, and Federal Standard Provision – Monitoring 3.2. However, variations in procedure are acceptable to accommodate the special requirements of sediment analysis. All such variations must be reported with the test results.
- 8.4.1.5. A brief discussion of the results of the survey. The discussion must compare data from the control station with data from the outfall stations. All tabulations and computations must be explained.
- 8.4.2. Reports of compliance or noncompliance with, or any progress reports on, interim and final requirements contained in any compliance schedule must be submitted within 14 days following each scheduled date unless otherwise specified within the permit. If reporting noncompliance, the report must include a description of the reason, a description and schedule of tasks necessary to achieve compliance, and an estimated date for achieving full compliance. A second report must be submitted within 14 days of full compliance.
- 8.4.3. The Discharger must file a report of waste discharge or secure a waiver from the Central Coast Water Board Executive Officer at least 180 days before making any material change or proposed change in the character, location, or plume of the discharge.
- 8.4.4. Within 120 days after the discharger discovers, or is notified by the Central Coast Water Board, that monthly average daily flow will or may reach design capacity of waste treatment and/or disposal facilities within four (4) years, the discharger must file a written report with the Central Coast Water Board. The report must include:
  - 8.4.4.1. the best estimate of when the monthly average daily dry weather flow rate will equal or exceed design capacity; and,
  - 8.4.4.2. a schedule for studies, design, and other steps needed to provide additional capacity for waste treatment and/or disposal facilities before the waste flow rate equals the capacity of present units.

In addition to complying with Federal Standard Provision – Reporting 5.2., the required technical report must be prepared with public participation and reviewed, approved and jointly submitted by all planning and building departments having jurisdiction in the area served by the waste collection, treatment, or disposal facilities.
- 8.4.5. All Dischargers must submit reports electronically to the:

State Water Board's California Integrated Water Quality System (CIWQS) database at: <http://ciwqs.waterboards.ca.gov/>.

In addition, Dischargers with designated major discharges must submit a copy of each document to U.S. EPA, Region 9's Discharge Monitoring Report (NetDMR) database at: <https://cdxnodengn.epa.gov/net-netdmr/>.

Other correspondence may be sent to the Central Coast Region at: [centralcoast@waterboards.ca.gov](mailto:centralcoast@waterboards.ca.gov).

- 8.4.6. Transfer of control or ownership of a waste discharge facility must be preceded by a notice to the Central Coast Water Board at least 30 days in advance of the proposed transfer date. The notice must include a written agreement between the existing Discharger and proposed Discharger containing specific date for transfer of responsibility, coverage, and liability between them. Whether a permit may be transferred without modification or revocation and reissuance is at the discretion of the Board. If permit modification or revocation and reissuance is necessary, transfer may be delayed 180 days after the Central Coast Water Board's receipt of a complete permit application. Please also see Federal Standard Provision – Permit Action 2.3.
- 8.4.7. Except for data determined to be confidential under CWA section 308 (excludes effluent data and permit applications), all reports prepared in accordance with this permit must be available for public inspection at the office of the Central Coast Water Board or Regional Administrator of U.S. EPA. Please also see Federal Standard Provision – Records 4.3.
- 8.4.8. By February 1 of each year, the discharger must submit an annual report to the Central Coast Water Board. The report must contain the following:
  - 8.4.8.1. Both tabular and graphical summaries of the monitoring data obtained during the previous year.
  - 8.4.8.2. A discussion of the previous year's compliance record and corrective actions taken, or which may be needed, to bring the discharger into full compliance.
  - 8.4.8.3. An evaluation of wastewater flows with projected flow rate increases over time and the estimated date when flows will reach facility capacity.
  - 8.4.8.4. A discussion of operator certification and a list of current operating personnel and their grades of certification.
  - 8.4.8.5. The date of the facility's Operation and Maintenance Manual (including contingency plans as described in Central Coast Water Board Standard Provisions – 8.2.9), the date the manual was last reviewed, and whether the manual is complete and valid for the current facility.
  - 8.4.8.6. A discussion of the laboratories used by the discharger to monitor compliance with effluent limits and a summary of performance relative to Central Coast Water Board Standard Provisions – General Monitoring Requirements 8.3.

- 8.4.8.7. If the facility treats industrial or domestic wastewater and there is no provision for periodic sludge monitoring in the Monitoring and Reporting Program, the report must include a summary of sludge quantities, analyses of its chemical and moisture content, and its ultimate destination.
- 8.4.8.8. If appropriate, the report must also evaluate the effectiveness of the local source control or pretreatment program using the State Water Board's "Guidelines for Determining the Effectiveness of Local Pretreatment Program."

**8.5. Central Coast Water Board Standard Provisions – General Pretreatment Provisions**

8.5.1. Discharge of pollutants by "indirect dischargers" in specific industrial sub-categories (appendix C, 40 C.F.R. part 403), where categorical pretreatment standards have been established, or are to be established, (according to 40 C.F.R. chapter 1, subchapter N), must comply with the appropriate pretreatment standards:

- 8.5.1.1. By the date specified therein;
- 8.5.1.2. Within three (3) years of the effective date specified therein, but in no case later than July 1, 1984; or,
- 8.5.1.3. If a new indirect discharger, upon commencement of discharge.

**8.6. Central Coast Water Board Standard Provisions – Enforcement**

- 8.6.1. Any person failing to file a report of waste discharge or other report as required by this permit must be subject to a civil penalty not to exceed \$5,000 per day.
- 8.6.2. Upon reduction, loss, or failure of the treatment facility, the Discharger must, to the extent necessary to maintain compliance with this permit, control production or all discharges, or both, until the facility is restored or an alternative method of treatment is provided.

**8.7. Central Coast Water Board Standard Provisions – Definitions (Not otherwise included in Attachment A to this Order)**

- 8.7.1. A "composite sample" is a combination of no fewer than eight (8) individual samples obtained at equal time intervals (usually hourly) over the specified sampling (composite) period. The volume of each individual sample is proportional to the flow rate at the time of sampling. The period must be specified in the Monitoring and Reporting Program ordered by the Central Coast Water Board Executive Officer.
- 8.7.2. "Daily Maximum" limit means the maximum acceptable concentration or mass emission rate of a pollutant measured during a calendar day or during any 24-hour period reasonably representative of the calendar day for purposes of sampling. It is normally compared with results based on "composite samples" except for ammonia, total chlorine, phenolic compounds, and toxicity concentration. For all exceptions, comparisons will be made with results from a "grab sample".



- 8.7.3. "Discharger", as used herein, means, as appropriate: (1) the Discharger, (2) the local sewerage entity (when the collection system is not owned and operated by the Discharger), or (3) "indirect discharger" (where Discharger appears in the same paragraph as "indirect discharger", it refers to the discharger.)
- 8.7.4. "Duly Authorized Representative" is one where:
- 8.7.4.1. the authorization is made in writing by a person described in the signatory paragraph of Federal Standard Provision 5.2.;
- 8.7.4.2. the authorization specifies either an individual or the occupant of a position having either responsibility for the overall operation of the regulated facility, such as the plant manager, or overall responsibility for environmental matters of the company; and,
- 8.7.4.3. the written authorization was submitted to the Central Coast Water Board.
- 8.7.5. A "grab sample" is defined as any individual sample collected in less than 15 minutes. "Grab samples" must be collected during peak loading conditions, which may or may not be during hydraulic peaks. It is used primarily in determining compliance with the daily maximum limits identified in Central Coast Water Board Standard Provision – 8.7.2. and instantaneous maximum limits.
- 8.7.6. "Hazardous substance" means any substance designated under 40 C.F.R. part 116 pursuant to section 311 of the Clean Water Act.
- 8.7.7. "Incompatible wastes" are:
- 8.7.7.1. Wastes which create a fire or explosion hazard in the treatment works;
- 8.7.7.2. Wastes which will cause corrosive structural damage to treatment works, but in no case wastes with a pH lower than 5.0 unless the works is specifically designed to accommodate such wastes;
- 8.7.7.3. Solid or viscous wastes in amounts which cause obstruction to flow in sewers, or which cause other interference with proper operation of treatment works;
- 8.7.7.4. Any waste, including oxygen demanding pollutants (BOD, etc.), released in such volume or strength as to cause inhibition or disruption in the treatment works and subsequent treatment process upset and loss of treatment efficiency; and,
- 8.7.7.5. Heat in amounts that inhibit or disrupt biological activity in the treatment works or that raise influent temperatures above 40°C (104°F) unless the treatment works is designed to accommodate such heat.
- 8.7.8. "Indirect Discharger" means a non-domestic discharger introducing pollutants into a publicly owned treatment and disposal system.
- 8.7.9. "Log Mean" is the geometric mean. Used for determining compliance of fecal or total coliform populations, it is calculated with the following equation:
- $$\text{Log Mean} = (C_1 \times C_2 \times \dots \times C_n)^{1/n},$$

in which "n" is the number of days samples were analyzed during the period and any "C" is the concentration of bacteria (MPN/100 mL) found on each day of sampling. "n" should be five or more.

8.7.10. "Mass emission rate" is a daily rate defined by the following equations:

mass emission rate (lbs/day) =  $8.34 \times Q \times C$ ; and,

where "C" (in mg/L) is the measured daily constituent concentration or the average of measured daily constituent concentrations and "Q" (in MGD) is the measured daily flowrate or the average of measured daily flow rates over the period of interest.

8.7.11. The "Maximum Allowable Mass Emission Rate," whether for a month, week, day, or six-month period, is a daily rate determined with the formulas in Central Coast Water Board Standard Provision – Provision 8.7.10, above, using the effluent concentration limit specified in the permit for the period and the average of measured daily flows (up to the allowable flow) over the period.

8.7.12. "Maximum Allowable Six-Month Median Mass Emission Rate" is a daily rate determined with the formulas in Central Coast Water Board Standard Provision – Provision 8.7.10, above, using the "six-month Median" effluent limit specified in the permit, and the average of measured daily flows (up to the allowable flow) over a 180-day period.

8.7.13. "Median" is the value below which half the samples (ranked progressively by increasing value) fall. It may be considered the middle value, or the average of two middle values.

8.7.14. "Monthly Average" (or "Weekly Average", as the case may be) is the arithmetic mean of daily concentrations or of daily mass emission rates over the specified 30-day (or 7-day) period.

Average =  $(X_1 + X_2 + \dots + X_n) / n$

in which "n" is the number of days samples were analyzed during the period and "X" is either the constituent concentration (mg/l) or mass emission rate (lbs/day) for each sampled day. "n" should be four or greater.

8.7.15. "Municipality" means a city, town, borough, county, district, association, or other public body created by or under State law and having jurisdiction over disposal of sewage, industrial waste, or other waste.

8.7.16. "Overflow" means the intentional or unintentional diversion of flow from the collection and transport systems, including pumping facilities.

8.7.17. "Pollutant-free wastewater" means inflow and infiltration, stormwaters, and cooling waters and condensates which are essentially free of pollutants.

8.7.18. "Primary Industry Category" means any industry category listed in 40 C.F.R. part 122, Appendix A.

8.7.19. "Removal Efficiency" is the ratio of pollutants removed by the treatment unit to pollutants entering the treatment unit. Removal efficiencies of a treatment plant

must be determined using "Monthly averages" of pollutant concentrations (C, in mg/l) of influent and effluent samples collected about the same time and the following equation (or its equivalent):

$$C_{\text{effluent}} \text{ Removal Efficiency (\%)} = 100 \times (1 - C_{\text{effluent}} / C_{\text{influent}})$$

- 8.7.20. "Severe property damage" means substantial physical damage to property, damage to treatment facilities which causes them to become inoperable, or substantial and permanent loss to natural resources which can reasonably be expected to occur in the absence of a "bypass". It does not mean economic loss caused by delays in production.
- 8.7.21. "Sludge" means the solids, residues, and precipitates separated from, or created in, wastewater by the unit processes of a treatment system.
- 8.7.22. To "significantly contribute" to a permit violation means an "indirect discharger" must:
- 8.7.22.1. Discharge a daily pollutant loading in excess of that allowed by contract with the Discharger or by Federal, State, or Local law;
- 8.7.22.2. Discharge wastewater which substantially differs in nature or constituents from its average discharge;
- 8.7.22.3. Discharge pollutants, either alone or in conjunction with discharges from other sources, which results in a permit violation or prevents sewage sludge use or disposal; or
- 8.7.22.4. Discharge pollutants, either alone or in conjunction with pollutants from other sources that increase the magnitude or duration of permit violations.
- 8.7.23. "Toxic Pollutant" means any pollutant listed as toxic under Section 307 (a) (1) of the Clean Water Act or under 40 C.F.R. part 122, Appendix D. Violation of maximum daily discharge limitations are subject to 24-hour reporting (Federal Standard Provisions 5.5.).
- 8.7.24. "Zone of Initial Dilution" means the region surrounding or adjacent to the end of an outfall pipe or diffuser ports whose boundaries are defined through calculation of a plume model verified by the State Water Board.

**ATTACHMENT E – MONITORING AND REPORTING PROGRAM**

TABLE OF CONTENTS

1. GENERAL MONITORING PROVISIONS.....	2
2. MONITORING LOCATIONS .....	3
3. INFLUENT MONITORING REQUIREMENTS.....	5
3.1. <b>Monitoring Location INF-001</b> .....	5
4. EFFLUENT MONITORING REQUIREMENTS.....	5
4.1. <b>Monitoring Locations EFF-001</b> .....	5
5. WHOLE EFFLUENT TOXICITY TESTING REQUIREMENTS.....	7
6. LAND DISCHARGE MONITORING REQUIREMENTS – <b>NOT APPLICABLE</b> .....	13
7. RECYCLING MONITORING REQUIREMENTS .....	13
7.1. <b>Monitoring Location RCL-001</b> .....	13
7.2 <b>Volumetric Reporting of Wastewater and Recycled Water</b> .....	14
8. RECEIVING WATER MONITORING REQUIREMENTS.....	16
8.1. <b>Surf Zone Monitoring at Monitoring Locations R-001, R-002, and R-003</b> .	16
9. OTHER MONITORING REQUIREMENTS.....	18
9.1 <b>Ocean Outfall Inspection</b> .....	18
9.2. <b>Biosolids, Monitoring, and Notification – BIO-001</b> .....	18
9.3. <b>Hauled Saline Waste Monitoring</b> .....	23
9.4. <b>Pretreatment Monitoring – Not Applicable</b> .....	25
10. REPORTING REQUIREMENTS .....	25
10.1. <b>General Monitoring and Reporting Requirements</b> .....	25
10.2. <b>Self-Monitoring Reports (SMRs)</b> .....	25
10.3. <b>Discharge Monitoring Reports (DMRs)</b> .....	29
10.4. <b>Other Reports</b> .....	29

**TABLE OF TABLES**

Table E-1. Monitoring Station Locations.....	4
Table E-2. Influent Monitoring .....	5
Table E-3. Effluent Monitoring – Monitoring Locations EFF-001 .....	5
Table E-4. Approved Test for Acute Toxicity .....	8
Table E-5. Approved Tests for Chronic Toxicity .....	10
Table E-6. Recycled Water Monitoring Requirements.....	13
Table E-7. Surf Zone Monitoring at Monitoring Locations R-001, R-002, and R-003 ....	17
Table E-8. Amount of Biosolids and Frequency of Analysis .....	19
Table E-9. Biosolids Monitoring Requirements .....	19
Table E-10. Hauled Saline Waste Monitoring Requirements .....	24
Table E- 11. Reporting Schedule .....	26

## ATTACHMENT E – MONITORING AND REPORTING PROGRAM

Clean Water Act (CWA) sections 308 and 122.41(h), (j)-(l), 122.44(i), and title 40 of the Code of Federal Regulations (40 C.F.R.) section 122.48 require that all National Pollutant Discharge Elimination System (NPDES) permits specify monitoring and reporting requirements. California Water Code sections 13267 and 13383 also authorize the California Regional Water Quality Control Board, Central Coast Region (Central Coast Water Board) to establish monitoring, inspection, entry, reporting, and recordkeeping requirements. This Monitoring and Reporting Program (MRP) establishes monitoring, reporting, and recordkeeping requirements that implement the federal and California laws and/or regulations.

### 1. GENERAL MONITORING PROVISIONS

- 1.1. Laboratories analyzing monitoring samples must be certified by the State Water Board Division of Drinking Water Environmental Laboratory Accreditation Program, in accordance with the provision of Water Code section 13176 and must include quality assurance/quality control data with their reports.<sup>3</sup>
- 1.2. Samples and measurements taken as required herein must be representative of the volume and nature of the monitored discharge. All samples must be taken at the monitoring locations specified in this MRP and, unless otherwise specified, before the monitored flow joins or is diluted by any other waste stream, body of water, or substance. Monitoring locations must not be changed without notification to and approval of the Central Coast Water Board.
- 1.3. Appropriate flow measurement devices and methods consistent with accepted scientific practices must be selected and used to ensure the accuracy and reliability of measurements of the volume of monitored discharges. The devices must be installed, calibrated, and maintained to ensure that the accuracy of the measurements is consistent with the accepted capability of that type of device. Devices selected must be capable of measuring flows with a maximum deviation of less than  $\pm 10$  percent from true discharge rates throughout the range of expected discharge volumes. Guidance in selection, installation, calibration, and operation of acceptable flow measurement devices can be obtained from the following references.
  - 1.3.1. *A Guide to Methods and Standards for the Measurement of Water Flow*, U.S. Department of Commerce, National Bureau of Standards, NBS Special Publication 421, May 1975, 96 pp.  
<http://nvlpubs.nist.gov/nistpubs/Legacy/SP/nbsspecialpublication421.pdf>

---

<sup>3</sup> Certain field tests including color, odor, turbidity, pH, temperature, dissolved oxygen, conductivity, and disinfectant residual are exempt from accreditation requirements under [WAT § 13176\(a\)\(2\)](#).

- 1.3.2. *Water Measurement Manual*, U.S. Department of Interior, Bureau of Reclamation, Third Edition, Revised Reprint, 2001, 317 pp.  
<https://www.usbr.gov/tsc/techreferences/mands/wmm/index.htm>
- 1.3.3. *Flow Measurement in Open Channels and Closed Conduits*, U.S. Department of Commerce, National Bureau of Standards, NBS Special Publication 484, October 1977, 982 pp.  
<https://nvlpubs.nist.gov/nistpubs/Legacy/SP/nbsspecialpublication484v2.pdf>
- 1.3.4. NPDES Compliance Inspection Manual, Chapter 6 – Flow Measurement, U.S. Environmental Protection Agency (U.S. EPA), Office of Water Enforcement, Publication Number 305-K-17-001, January 2017, 918 pp.  
<https://www.epa.gov/compliance/compliance-inspection-manual-national-pollutant-discharge-elimination-system>
- 1.4. All monitoring instruments and devices used by the San Simeon Community Services District (Discharger) to fulfill the prescribed monitoring program must be properly maintained and calibrated as necessary to ensure their continued accuracy. All flow measurement devices must be calibrated at least once per year to ensure continued accuracy of the devices.
- 1.5. Monitoring results, including noncompliance, must be reported at intervals and in a manner specified in this MRP.
- 1.6. Unless otherwise specified by this MRP, all monitoring must be conducted according to test procedures established at 40 C.F.R. part 136, Guidelines Establishing Test Procedures for Analysis of Pollutants. All analyses must be conducted using the lowest practical quantitation limit achievable using the specified methodology. Where effluent limitations are set below the lowest achievable quantitation limits, pollutants not detected at the lowest practical quantitation limits will be considered in compliance with effluent limitations. Analysis for toxic pollutants specified in Table 3 of the California Ocean Plan must be conducted in accordance with procedures described in the California Ocean Plan and restated in this MRP.
- 1.7. The Discharger must ensure that the results of the Discharge Monitoring Report-Quality Assurance (DMR-QA) Study or the most recent Water Pollution Performance Evaluation Study are submitted annually to the State Water Board at the following address:  
  
State Water Resources Control Board  
Quality Assurance Program Officer  
Office of Information Management and Analysis  
101 I Street, Sacramento, CA 95814

## 2. MONITORING LOCATIONS

The Discharger must establish the following monitoring locations to demonstrate compliance with the effluent limitations, discharge specifications, and other requirements in this Order:

**Table E-1. Monitoring Station Locations**

<b>Monitoring Point Name</b>	<b>Monitoring Location Name</b>	<b>Monitoring Location Description</b>
Influent	INF-001	Influent wastewater, prior to any treatment unit or return flows, and following all significant inputs to the collection system of untreated wastewater inflow and infiltration
Effluent	EFF-001	Location where a representative sample of effluent after treatment and chlorination/dichlorination, , after mixing with hauled saline waste (when applicable), and prior to contact with the receiving water.
Effluent	EFF-001A	For bacteria monitoring, at a point following chlorination but before dechlorination. This monitoring location must be used for determining compliance with effluent limitations for bacteria.
Recycled Water	RCL-001	A location representative of disinfected tertiary-treated recycled water prior to distribution.
Receiving Water	R-001	In the surf zone, up coast from outfall diffuser; approximately 1,600 feet NNW from R-002 (at outlet of Pico Creek).
Receiving Water	R-002	In the surf zone, immediately onshore of outfall diffuser.
Receiving Water	R-003	In the surf zone, downcoast from outfall diffuser; approximately 1,050 feet SSW from R-002 (at extension of Vista Del Mar Street).
Hauled Saline Wastes	BRN-001	At a location where a representative sample of hauled saline waste can be collected prior to discharge to the outfall line.
Biosolids	BIO-001	A location where a representative sample of biosolids may be obtained, after handling, and prior to disposal

### 3. INFLUENT MONITORING REQUIREMENTS

#### 3.1. Monitoring Location INF-001

3.1.1. The Discharger must monitor influent to the San Simeon Wastewater Treatment Plant (Facility) at Monitoring Location INF-001 as below:

**Table E-2. Influent Monitoring**

Parameter	Units	Sample Type	Minimum Sampling Frequency
Flow	Million gallons per day (MGD)	Continuous	1/day <sup>[1]</sup>
Biochemical Oxygen Demand 5-day @ 20°C (BOD <sub>5</sub> ) <sup>[2]</sup>	Milligram per liter (mg/L)	24-hour Composite	1/Month
Total Suspended Solids (TSS) <sup>[2]</sup>	mg/L	24-hour Composite	1/Month

<sup>[1]</sup> The Discharger must report the average and maximum daily flows.

<sup>[2]</sup> Collection of BOD<sub>5</sub> and TSS samples must occur on days that effluent samples are collected.

### 4. EFFLUENT MONITORING REQUIREMENTS

#### 4.1. Monitoring Locations EFF-001

4.1.1. The Discharger must monitor effluent discharged at Monitoring Location EFF-001. Monitoring is not required for monitoring locations associated with discharge points with no discharge. If more than one analytical test method is listed for a given parameter, the Discharger must select from the listed methods and corresponding Minimum Level:

**Table E-3. Effluent Monitoring – Monitoring Locations EFF-001**

Parameter	Units	Sample Type	Minimum Sampling Frequency
Flow Volume	MGD	Metered	1/Day
Maximum Daily Flow	MGD	Calculated	1/Month
Mean Daily Flow	MGD	Calculated	1/Month
pH	standard units	Grab	1/Week
Turbidity	Nephelometric Turbidity Unit (NTU)	Metered	1/Week
Settleable Solids	milliliter per liter (mL/L)	Grab	1/Day
Total Chlorine Residual <sup>[1]</sup>	mg/L	Grab <sup>[2]</sup>	1/day <sup>[2]</sup>



Parameter	Units	Sample Type	Minimum Sampling Frequency
Chlorine Used	pounds per day (lbs/day)	Calculated	1/Day
Enterococcus <sup>[3][4]</sup>	MPN/100 mL	Grab	2/week
Total Coliform Organisms <sup>[1][3][4]</sup>	MPN/100 mL	Grab	2/Week
Fecal Coliform Organisms <sup>[1][3][4]</sup>	MPN/100 mL	Grab	2/Week
Dissolved Oxygen <sup>[1]</sup>	mg/L	Grab	1/Week
BOD <sub>5</sub>	mg/L	24-hour Composite	1/Month
BOD <sub>5</sub>	percent removal	Calculated	1/Month
TSS	mg/L	24-hour Composite	1/Month
TSS	percent removal	Calculated	1/Month
Temperature	degrees Fahrenheit (°F)	Instantaneous	1/Week
Oil and Grease	mg/L	Grab	2/Year (January and July)
Copper, Total Recoverable	µg/L	Grab	Biannually (once every 2 years in July)
Mercury, Total Recoverable	µg/L	Grab	Biannually (once every 2 years in July)
Selenium, Total Recoverable	µg/L	Grab	Biannually (once every 2 years in July)
Arsenic, Total Recoverable	µg/L	Grab	Biannually (once every 2 years in July)
Cadmium, Total Recoverable	µg/L	Grab	Biannually (once every 2 years in July)
Chromium (VI), Total Recoverable	µg/L	Grab	Biannually (once every 2 years in July)
Lead, Total Recoverable	µg/L	Grab	Biannually (once every 2 years in July)
Nickel, Total Recoverable	µg/L	Grab	Biannually (once every 2 years in July)
Silver, Total Recoverable	µg/L	Grab	Biannually (once every 2 years in July)
Zinc, Total Recoverable	µg/L	Grab	Biannually (once every 2 years in July)
Acute Toxicity <sup>[5]</sup>	Toxic Units Acute (TUa)	24-hour Composite	1/permit

Parameter	Units	Sample Type	Minimum Sampling Frequency
Chronic Toxicity <sup>[5]</sup>	Toxic Units Chronic (TUc)	24-hour Composite	1/Year (July)
Ocean Plan Table 3 Pollutants <sup>[6]</sup>	--	Grab	1/Permit (July)

- [1] The Discharger must notify the Central Coast Water Board, Department of Public Health, and any mariculture grower as soon as possible when there is a loss of disinfection or if three consecutive total effluent coliform bacteria tests exceed 2,400 MPN/100mL.
- [2] The Discharger must review monitoring data and submit a summary (chlorine residual daily minimum, maximum, mean) to the Central Coast Water Board with monthly monitoring reports. Grab samples must be taken daily and collected at the last accessible monitoring location before discharge to the ocean.
- [3] Must be sampled at Monitoring Location EFF-001A, as described in Table E-1 of this MRP. For all bacterial analyses, sample dilutions should be performed so the range of bacterial density values extends from 2 to 16,000 MPN/100 mL.
- [4] Sampling frequency for effluent coliform and enterococcus may be increased to four times weekly if continued compliance is not demonstrated.
- [5] Whole effluent toxicity monitoring must be conducted according to the requirements established in section 5 of this MRP
- [6] Those pollutants identified in Table 3 of the Ocean Plan (2019). Analyses, compliance determination, and reporting for these pollutants must adhere to applicable provisions of the Ocean Plan, including the Standard Monitoring Procedures presented in Appendix III of the Ocean Plan. The Discharger must instruct its analytical laboratory to establish calibration standards so that the Minimum Levels (MLs) presented in Appendix II of the Ocean Plan are the lowest calibration standards. The Discharger and its analytical laboratory must select MLs that are below applicable water quality criteria of Table 3; and when applicable water quality criteria are below all MLs, the Discharger and its analytical laboratory must select the lowest ML.

## 5. WHOLE EFFLUENT TOXICITY TESTING REQUIREMENTS

### 5.1. Acute Toxicity

#### 5.1.1. Acute Toxicity Monitoring Requirements – Monitoring Locations EFF-001

- 5.1.1.1. Compliance with acute toxicity objective must be determined using a U.S. Environmental Protection Agency approved method protocol as provided in 40 CFR 136 (Methods for Measuring Acute Toxicity of Effluents and Receiving Waters to Freshwater and Marine Organisms, Fifth Edition, USEPA Office of Water, EPA-821-R-02-012 (2002) or the latest edition).

$$\text{Acute Toxicity (TUa)} = 100/96\text{-hr LC } 50.$$

LC 50 (percent waste giving 50% survival of test organisms) must be determined by 96-hour static or continuous flow bioassay techniques using silversides (*Menidia beryllina*); however, other approved standard marine test species as specified in EPA-821-R-02-012 and as noted in the following table may be used with sufficient justification by the Discharger and approval by the Executive Officer.

**Table E-4. Approved Test for Acute Toxicity**

Species	Scientific Name	Effect	Test Duration (days)
Shrimp	<i>Holmesimysis costata</i>	Survival	48 or 96 hours
Shrimp	<i>Mysidopsis bahia</i>	Survival	48 or 96 hours
Silversides	<i>Menidia beryllina</i>	Survival	48 or 96 hours
Sheepshead minnow	<i>Cyprinodon variegatus</i>	Survival	48 or 96 hours

If the effluent to be discharged to a marine or estuarine system (e.g., salinity values in excess of 1,000 mg/L) originates from a freshwater supply, salinity of the effluent must be increased with dry ocean salts (e.g., FORTY FATHOMS®) to match salinity of the receiving water. This modified effluent must then be tested using marine species.

Reference toxicant test results must be submitted with the effluent sample test results. Both tests must satisfy the test acceptability criteria specified in EPA-821-R-02-012. If the test acceptability criteria are not achieved or if toxicity is detected, the sample must be retaken and retested within five days of the failed sampling event. The retest results must be reported in accordance with EPA-821-R-02-012 (chapter on report preparation) and the results must be attached to the next monitoring report.

When it is not possible to measure the 96-hour LC 50 due to greater than 50 percent survival of the test species in 100 percent waste, the toxicity concentration must be calculated by the expression:

$$TU_a = [\log(100 - S)]/1.7$$

where S = percentage survival in 100% waste.

If S > 99, TU<sub>a</sub> must be reported as zero.

When toxicity monitoring finds acute toxicity in the effluent above the limitation established by the Order, the Discharger must immediately resample the effluent, if the discharge is continuing, and retest for acute toxicity. Results of the initial failed test and any toxicity monitoring results subsequent to the failed test must be reported as soon as reasonable to the Executive Officer. The Executive Officer will determine whether to initiate enforcement action, whether to require the Discharger

to implement toxicity reduction evaluation (TRE) requirements (section VI.C.2.a of the Order), or to implement other measures.

## 5.2. Chronic Toxicity

### 5.2.1. Chronic Toxicity Monitoring Requirements – Monitoring Locations EFF-001

5.2.1.1. The presence of chronic toxicity must be estimated as specified in Short Term Methods for Estimating the Chronic Toxicity of Effluents and Receiving Waters to West Coast Marine and Estuarine Organisms, EPA-821/600/R-95/136; Short Term Methods for Estimating the Chronic Toxicity of Effluents and Receiving Waters to Marine and Estuarine Organisms, EPA-600-4-01-003; Procedures Manual for Conducting Toxicity Tests developed by the Marine Bioassay Project, SWRCB 1996,96-1WQ; and/or Short Term Methods for Estimating the Chronic Toxicity of Effluents and Receiving Waters to Marine and Estuarine Organisms, EPA/600/4-87-028 or subsequent editions.

Chronic toxicity measures a sublethal effect (e.g., reduced growth or reproduction) to experimental test organisms exposed to an effluent compared to that of the control organisms.

$$\text{Chronic Toxicity (TUc)} = 100 / \text{NOEL}$$

The no observed effect level (NOEL) is the maximum tested concentration in a medium which does not cause known adverse effects upon chronic exposure in the species in question (i.e., the highest effluent concentration to which organisms are exposed in a chronic test that causes no observable adverse effects on the test organism; e.g., the highest concentration of a toxicant to which the values for the observed responses are not statistically significantly different from the controls). Examples of chronic toxicity include, but are not limited to, measurements of toxicant effects on reproduction, growth, and sublethal effects that can include behavioral, physiological, and biochemical effects.

In accordance with the Ocean Plan, Appendix III, Standard Monitoring Procedures, the Discharger must use the critical life stage toxicity tests specified in the table below to measure TUc. Other species or protocols may be added to the list after Central Coast Water Board review and approval.

A minimum of three test species with approved test protocols must be used to measure compliance with the toxicity objective. If possible, the test species must include a fish, an invertebrate, and an aquatic plant. After a screening period of no fewer than three sampling events, monitoring can be reduced to the most sensitive species. Dilution and control water should be obtained from an unaffected area of the receiving waters. The sensitivity of the test organisms

to a reference toxicant must be determined concurrently with each bioassay test and reported with the test results.

**Table E-5. Approved Tests for Chronic Toxicity**

Species	Test	Tier <sup>[1]</sup>	Reference <sup>[2]</sup>
Giant Kelp, <i>Macrocystis pyrifera</i>	Percent germination; germ tube length	1	a,c
Red abalone, <i>Haliotis rufescens</i>	Abnormal shell development	1	a,c
Oyster, <i>Crassostrea gigas</i> ; mussels, <i>Mytilus</i> spp.	Abnormal shell development; percent survival	1	a,c
Urchin, <i>Strongylocentrotus purpuratus</i> ; sand dollar, <i>Dendraster excentricus</i>	Percent normal development; percent fertilization	1	a,c
Shrimp, <i>Homesimysis costata</i>	Percent survival; growth	1	a,c
Shrimp, <i>Menidia bahia</i>	Percent survival; fecundity	2	b,d
Topsmelt, <i>Atherinops affinis</i>	Larval growth rate; percent survival	1	a,c
Silverside, <i>Menidia beryllina</i>	Larval growth rate; percent survival	2	b,d

<sup>[1]</sup> First tier methods are preferred for compliance monitoring. If first tier organisms are not available, the Discharger can use a second-tier test method following Executive Officer approval.

<sup>[2]</sup> Protocol References:

- a. Chapman, G.A., D.L. Denton, and J.M. Lazochak. 1995. Short-term methods for estimating the chronic toxicity of effluents and receiving waters to west coast marine and estuarine organisms. U.S. EPA Report No. EPA/600/R95/136.
- b. Klemm, D.J., G.E. Morrison, T.J. Norberg-King, W.J. Peltier, and M.A. Heber. 1994. Short-term methods for estimating the chronic toxicity of effluents and receiving waters to marine and estuarine organisms. U.S. EPA Report No. EPA-600-4-91-003.
- c. SWRCB 1996. Procedures Manual for Conducting Toxicity Tests Developed by the Marin Bioassay Project. 96-1WQ.
- d. Weber, C.I., W.B. Horning, I.I., D.J. Klemm, T.W. Neiheisel, P.A. Lewis, E.L. Robinson, J. Menkedick and F. Kessler (eds). 1988. Short-term Methods for Estimating the Chronic Toxicity of Effluents and Receiving Waters to Marine and Estuarine Organisms. EPA/600/4-87/028. National Information Service, Springfield, VA

Dilution and control waters must be obtained from an area of the receiving waters, typically upstream, which is unaffected by the discharge. Standard dilution water

can be used, if the receiving water itself exhibits toxicity or if approved by the Central Coast Water Board. If the dilution water used in testing is different from the water in which the test organisms were cultured, a second control sample using culture water must be tested.

If the effluent to be discharged to a marine or estuarine system (e.g., salinity values in excess of 1,000 mg/L) originates from a freshwater supply, salinity of the effluent must be increased with dry ocean salts (e.g., FORTY FATHOMS®) to match salinity of the receiving water. This modified effluent must then be tested using marine species.

The presence of chronic toxicity at more than 116 TUc must trigger the Toxicity Reduction Evaluation (TRE) requirement of this Order (section 6.3.2.2).

#### **5.4. Accelerated Monitoring Requirements**

- 5.4.1. When acute or chronic toxicity is detected in the effluent above the effluent limitation or toxicity trigger established by this Order, and the testing meets all test acceptability criteria, the Discharger must resample immediately and confirm the effluent toxicity. If the retest results in toxicity greater than the effluent limitation or toxicity trigger, the Discharger must initiate accelerated monitoring.
- 5.4.2. Accelerated monitoring frequency consists of performing six toxicity tests (one per week) in a six-week period following the first failed test result (test results exceed effluent limitation or toxicity trigger), or as otherwise instructed by the Executive Officer. Test results must be submitted to the Central Coast Water Board within 15 days of the conclusion of each test.
- 5.4.3. If implementation of the generic Toxicity Reduction Evaluation (TRE) workplan indicates the source of the exceedance of the effluent limitation or toxicity trigger (for instance, a temporary plant upset), then only one additional test is necessary. If exceedance of the effluent limitation or toxicity trigger is detected in this test, the Discharger will continue with accelerated monitoring requirements or implement the TRE and Toxicity Identification Evaluation (TIE) studies. A single failed retest may count towards the six required accelerated tests.
- 5.4.4. If none of the six accelerated tests indicate exceedance of the effluent limitation or toxicity trigger, then the Discharger may return to the normal bioassay testing frequency.

#### **5.5. Toxicity Identification Evaluations (TIE) and Toxicity Reduction Evaluation (TRE) Process**

- 5.5.1. A Toxicity Reduction Evaluation (TRE) must be implemented by the Discharger as specified by the Executive Officer. A TIE may be required as part of the TRE.
- 5.5.2. The TIE must be conducted to identify and evaluate toxicity in accordance with procedures recommended by the U.S. EPA which include the following:
  - 5.5.2.1. *Toxicity Identification Evaluation: Characterization of Chronically Toxic Effluents, Phase I*, (U.S. EPA, 1992a);

- 5.5.2.2. *Methods for Aquatic Toxicity Identification Evaluations: Phase I Toxicity Characterization Procedures, Second Edition* (U.S. EPA, 1991a);
- 5.5.2.3. *Methods for Aquatic Toxicity Identification Evaluations: Phase II Toxicity Identification Procedures for Sampling Exhibiting Acute and Chronic Toxicity* (U.S. EPA, 1993a); and
- 5.5.2.4. *Methods for Aquatic Toxicity Identification Evaluations: Phase III Toxicity Confirmation Procedures for Samples Exhibiting Acute and Chronic Toxicity* (U.S. EPA, 1993b).

5.5.3. As part of the TIE investigation, the Discharger must be required to implement its TRE workplan. The Discharger must take all reasonable steps to control toxicity once the source of the toxicity is identified. A failure to conduct required toxicity tests or a TRE within a designated period must result in the establishment of numerical effluent limitations for chronic toxicity in a permit or appropriate enforcement action. Recommended guidance in conducting a TRE includes the following:

- 5.5.3.1. *Toxicity Reduction Evaluation Guidance for Municipal Wastewater Treatment Plants*, August 1999, EPA/833B-99/002; and
- 5.5.3.2. Clarifications Regarding Toxicity Reduction and Identification Evaluations in the National Pollutant Discharge Elimination System Program dated March 27, 2001, U.S. EPA Office of Wastewater Management, Office of Regulatory Enforcement.

## 5.6. Toxicity Reporting Program

5.6.1. **Routine Reporting.** Toxicity test results for the current reporting period must include a full report of toxicity test results with the regular monthly monitoring report and include the following information:

5.6.1.1 Toxicity test results

5.6.1.2 Dates of sample collection and initiation of each toxicity test, and

5.6.1.3 And/or toxicity discharge limitations (or trigger)

5.6.2 Toxicity test results must be reported according to the appropriate guidance – *Methods for Measuring the Acute Toxicity of Effluents and Receiving Waters to Freshwater and Marine Organisms*, Fifth Edition, USEPA Office of Water, PA821-R-02-012 (2002) or the latest edition, or EPA-821-R-02-012 (2002) or the latest edition.

5.6.3 If the initial investigation TRE workplan is used to determine that additional (accelerated) toxicity testing is unnecessary, these results must be submitted with the monitoring report for the month in which investigations conducted under the TRE workplan occurred.

5.6.4 Within 14 days of receipt of a chronic toxicity test result which exceeds 116 TUc or an acute toxicity test that exceeds 3.8 TUa, the Discharger must provide written notification to the Central Coast Water Board Executive Officer of:

5.6.4.1. Findings of the TRE of other investigation to identify the cause(s) of toxicity,

5.6.4.2 Actions the Discharger has taken/will take to mitigate the impact of the discharge and to prevent the recurrence of toxicity. When corrective actions, including TRE, have not been completed, a schedule under which corrective actions will be implemented, or the reason for not taking corrective action, if no action has been taken.

5.6.4.3. When corrective actions, including a TRE, have not been completed, a schedule under which corrective actions will be implemented, or the reason for not taking corrective action if no action has been taken, will be completed.

## 6. LAND DISCHARGE MONITORING REQUIREMENTS – NOT APPLICABLE

## 7. RECYCLING MONITORING REQUIREMENTS

### 7.1. Monitoring Location RCL-001

7.1.1. The Discharger must monitor recycled water at Monitoring Location RCL-001 as below:

**Table E-6. Recycled Water Monitoring Requirements**

Parameter	Units	Sample Type	Minimum Sampling Frequency
Daily Flow	MGD	Metered	Continuous
Maximum Daily Flow	MGD	Calculated	1/Day
Mean Daily Flow	MGD	Calculated	1/Day
Total Coliform	MPN/100 mL	Grab	1/Day
Turbidity	NTU	Metered	Continuous
Dissolved Oxygen	mg/L	Grab	5/Week
pH	standard units	Grab	5/Week

7.1.2. The Discharger must monitor the secondary clarifier effluent on a continuous basis to ensure the influent turbidity into the SSWRF does not exceed 5 NTU for more than 15 minutes and never exceeds 10 NTU.

7.1.3 The Discharger must continuously monitor and record the flow rate and ozone residuals through the ozone disinfection system. The Discharger must also record and report the low daily CT (the product of total chlorine residual and modal contact time measured at the same point).

7.1.4 In the event the Discharger is unable to comply with the conditions of the water recycling requirements and prohibitions, the Producer must immediately notify the



Central Coast Water Board by telephone and submit a written follow-up report with two weeks of the noncompliance. The written report must include pertinent information explaining reasons for the noncompliance and must indicate what steps are being taken to prevent the problems from recurring.

- 7.1.5 In the event the Discharger delivers recycled water not meeting the Uniform Statewide Recycling Criteria specification, the Discharger must immediately notify, via telephone and email, all enrollees of the State Water Board's General Water Reclamation Requirements for Recycled Water Use (State Water Board Order No. WQ 2016-0068-DDW), or enrollees of a separate applicable State or Central Coast Water Board permit, with potential to have received recycled water from the Facility.
- 7.1.6 An annual self-monitoring report must be submitted to the Central Coast Water Board by February 1 of the following year. The report must include:
- 7.1.6.1 A letter transmitting self-monitoring reports should accompany each report. The letter must include a discussion of violations found during the reporting period and actions taken or planned for correcting noted violations, such as operation or facility modifications. If the Discharger has previously submitted a report describing corrective actions or a time schedule for implementing corrective actions, reference to the previous correspondence will be satisfactory. The transmittal letter must contain a statement by the Discharger or the Discharger's authorized agent, under penalty of perjury, that to the best of the signer's knowledge the report is true, accurate, and complete.
- 7.1.6.2 Tabulations of the results of each required analysis by the Discharger specified in Table E-6 by date, time, type of sample, and station.

## 7.2 Volumetric Reporting of Wastewater and Recycled Water

7.2.1 Pursuant to Water Quality Control Policy for Recycled Water<sup>4</sup> and WQ 2019-0037-EXEC, when producing recycled water, the Discharger must track volumetric reporting of wastewater and recycled water.

7.2.1.1 **Annual Reporting.** The Discharger must submit an annual report to the State Water Board by April 30 of each calendar year furnished with the information detailed below. The Discharger must submit this annual report electronically via the State Water Board's GeoTracker system under a site-specific global identification number at: <https://geotracker.waterboards.ca.gov/>.

7.2.1.2 **Volumetric Monitoring.** The Discharger must report the items described below and provide all volumetric data as acre-feet (af).

7.2.1.2.1 Influent. Monthly volume of wastewater collected and treated by the

---

<sup>4</sup> Water Quality Control Policy for Recycled Water, State Water Quality Control Board, adopted December 11, 2018, page 2, [https://www.waterboards.ca.gov/board\\_decisions/adopted\\_orders/resolutions/2018/121118\\_7\\_final\\_amendment\\_oal.pdf](https://www.waterboards.ca.gov/board_decisions/adopted_orders/resolutions/2018/121118_7_final_amendment_oal.pdf).

wastewater treatment plant.

- 7.2.1.2.2 Production. Monthly volume of wastewater treated, specifying level of treatment.
- 7.2.1.2.3 Discharge. Monthly volume of treated wastewater discharged to each of the following, specifying level of treatment:
  - 7.2.1.2.3.1 Inland surface waters, specifying volume required to maintain minimum instream flow.
  - 7.2.1.2.3.2 Enclosed bays, estuaries and coastal lagoons, and ocean waters.
  - 7.2.1.2.3.3 Natural systems, such as wetlands, wildlife habitats, and duck clubs, where augmentation or restoration has occurred, and that are not part of a wastewater treatment plant or water recycling treatment plant.
  - 7.2.1.2.3.4 Underground injection wells, such as those classified by U.S. EPA's Underground Injection Control Program, excluding groundwater recharge via subsurface application intended to reduce seawater intrusion into a coastal aquifer with a seawater interface.
  - 7.2.1.2.3.5 Land, where beneficial use is not taking place, including evaporation or percolation ponds, overland flow, or spray irrigation disposal, excluding pasture or fields with harvested crops.
- 7.2.1.3 Reuse. Monthly volume of recycled water distributed.
- 7.2.1.4 Reuse Categories. Annual volume of treated wastewater distributed for beneficial use in compliance with CCR, title 22 in each of the use categories listed below:
  - 7.2.1.4.1 Agricultural irrigation: pasture or crop irrigation.
  - 7.2.1.4.2 Landscape irrigation: irrigation of parks, greenbelts, and playgrounds; school yards; athletic fields; cemeteries; residential landscaping, common areas; commercial landscaping; industrial landscaping; and freeway, highway, and street landscaping.
  - 7.2.1.4.3 Golf course irrigation: irrigation of golf courses, including water used to maintain aesthetic impoundments within golf courses.
  - 7.2.1.4.4 Commercial application: commercial facilities, business use (such as laundries and office buildings), car washes, retail nurseries, and appurtenant landscaping that is not separately metered.
  - 7.2.1.4.5 Industrial application: manufacturing facilities, cooling towers, process water, and appurtenant landscaping that is not separately metered.
  - 7.2.1.4.6 Geothermal energy production: augmentation of geothermal fields.
  - 7.2.1.4.7 Other non-potable uses: including but not limited to dust control, flushing sewers, fire protection, fill stations, snow making, and recreational impoundments.

- 7.2.1.4.8. Groundwater recharge: the planned use of recycled water for replenishment of a groundwater basin or an aquifer that has been designated as a source of water supply for a public water system. Includes surface or subsurface application, except for seawater intrusion barrier use.
- 7.2.1.4.9 Seawater intrusion barrier: groundwater recharge via subsurface application intended to reduce seawater intrusion into a coastal aquifer with a seawater interface.
- 7.2.1.4.10 Reservoir water augmentation: the planned placement of recycled water into a raw surface water reservoir used as a source of domestic drinking water supply for a public water system, as defined in section 116275 of the Health and Safety Code, or into a constructed system conveying water to such a reservoir (California Water Code section 13561).
- 7.2.1.4.11 Raw water augmentation: the planned placement of recycled water into a system of pipelines or aqueducts that deliver raw water to a drinking water treatment plant that provides water to a public water system as defined in section 116275 of the Health and Safety Code (California Water Code section 13561).
- 7.2.1.4.12 Other potable uses: both indirect and direct potable reuse other than for groundwater recharge, seawater intrusion barrier, reservoir water augmentation, or raw water augmentation.

## **8. RECEIVING WATER MONITORING REQUIREMENTS**

### **8.1. Surf Zone Monitoring at Monitoring Locations R-001, R-002, and R-003**

- 8.1.1. The Discharger must monitor the ocean at monitoring locations R-001, R-002, and R-003. The Discharger must, to the best of its ability, conduct shore monitoring during dry weather or at least three days after a significant rain event. The Executive Officer may grant a discretionary exception to this sampling requirement during extreme rain events where receiving water sampling is unlikely to provide data representative of the Discharger's effluent. The Discharger must conduct effluent total coliform, fecal coliform, and enterococcus sampling during such events or the subsequent period of its influence on receiving waters. Once surf zone monitoring can resume, effluent sampling may return to its regular schedule according to the Order.

**Table E-7. Surf Zone Monitoring at Monitoring Locations R-001, R-002, and R-003**

Parameter	Units	Minimum Sampling Frequency
Total Coliform Bacteria	MPN/100mL	1/Day for 7 days <sup>[1][2]</sup>
Fecal Coliform Bacteria	MPN/100mL	1/Day for 7 days <sup>[1][2]</sup>
Enterococcus Bacteria	MPN/100mL	1/Day for 7 days <sup>[1][2]</sup>
Standard Observations	---	1/Day <sup>[3]</sup>

<sup>[1]</sup> If two effluent total coliform samples exceed 2,400 MPN/100 mL in a 30-day period, then the Discharger must conduct surf zone monitoring for total and fecal coliform, and enterococcus at monitoring locations R-001, R-002, and R-003. Sampling must continue until effluent bacteria concentrations return to compliance or as otherwise specific by the Executive Officer. The sampling results must be submitted to the Central Coast Water Board within 14 days of each sampling event.

If a single sample exceeds any of the single sample maximum receiving water limitations established in section 5.1.11 of the Order, repeat sampling at that location must be conducted to determine the extent and persistence of the exceedance. Repeat sampling must be conducted within 24 hours of receiving analytical results and continued until the sample result is less than the single sample maximum receiving water limitation or until the source of the high bacterial densities has been identified and positively determined to not be related to the discharge of effluent by the Facility.

When repeat sampling is required because of an exceedance of any one single sample maximum, values from all samples collected during that 30-day period will be used to determine compliance with the 30-day geometric mean receiving water limitations in section 5.1.1.1 of the Order.

<sup>[2]</sup> For all bacterial analyses, sample dilutions must be performed so the range of values extends from 2 to 16,000 MPN/100 mL. Dilutions must be conducted in accordance with the requirements of Appendix III of the Ocean Plan. Detection methods used must be those presented in the most recent edition of the Standard Methods for the Examination of Water and Wastewater, or any improved method determined appropriate by the Central Coast Water Board and USEPA.

<sup>[3]</sup> Standard observations must include observation of wind (direction and speed), weather (e.g., cloudy, sunny, rainy), the quantity of rainfall precipitated over the previous seven day period, sea conditions, longshore currents (e.g., directions), and tidal conditions (e.g., high, slack, or low tide). Observations of water discoloration, floating oil and grease, turbidity, odor, materials of sewage origin in the water or on

the beach, temperature (°F), or other observations related to compliance with receiving water limitations section 5.1. of the Order must be recorded in a daily log and made available for inspection.

## **9. OTHER MONITORING REQUIREMENTS**

### **9.1 Ocean Outfall Inspection**

At least once per year (in the same month annually or between June and September as appropriate) the Discharger must visually inspect the entire outfall and diffuser structure (e.g., divers, dye study) to note its structural integrity and any cracks, breaks, leaks, plugged ports, or other actual or potential malfunctions. The outfall inspections will also check for possible external blockage of ports by sand and/or silt deposition. The Discharger must report all findings and actions, including any observed cracks, breaks, or malfunctions to the Executive Officer in the applicable annual report. The month for inspection specified by the Discharger must be a month of good underwater visibility.

### **9.2. Biosolids, Monitoring, and Notification – BIO-001**

9.2.1. A representative sample of biosolids must be obtained from the last point in the handling process (i.e., in the spare aeration basin just prior to removal). Samples must be analyzed for total concentrations for comparison with Total Threshold Limit Concentration (TTL) criteria. The Waste Extraction Test must be performed when the total concentration of a pollutant exceeds ten times the Soluble Threshold Limit Concentration (STLC) for that substance [California Code of Regulations, title 22, division 4.5, chapter 11, article 3].

Twelve discrete representative grab samples must be collected at separate locations in the biosolids ready for disposal and composited to form one sample for pollutant analysis. These 12 samples must be taken at equal time intervals over a typical dewatering operations period, up to 24 hours, from the last representative point in the solids handling process before disposal.

Samples must be analyzed for the metals required in 40 C.F.R. section 503.16 (for land application) or 503.26 (for surface disposal) using the methods in Test Methods for Evaluating Solid Waste, Physical/Chemical Methods (U.S. EPA Publication SW-846, all applicable editions and updates), as required in 503.8(b)(4), at the minimum frequencies established therein, provided in the table below.

**Table E-8. Amount of Biosolids and Frequency of Analysis**

<b>Amount <sup>[1]</sup> (dry metric tons/365-day period)</b>	<b>Minimum Sampling Frequency <sup>[2]</sup></b>
Greater than zero, but less than 290	Once per year
Equal to or greater than 290 but less than 1,500	Once per quarter (four times per year)
Equal to or greater than 1,500 but less than 15,000	Once per sixty days (six times per year)
Greater than 15,000	Once per month (twelve times per year)

<sup>[1]</sup> For land application, either the amount of bulk biosolids applied to land or the amount prepared for sale or give-away in a bag or other container for application to land (dry weight basis). If the Discharger’s biosolids are directly land applied without further treatment by another preparer, biosolids must also be tested for organic nitrogen, ammonia, and nitrate at the frequencies required. For surface disposal, the amount of biosolids placed on an active sludge unit (dry weight basis).

<sup>[2]</sup> Test results must be expressed in mg pollutant per kg biosolids on a 100% dry weight basis.

The Discharger must monitor biosolids annually until data collected over a 365-day period establishes a new basis for monitoring frequency pursuant to 40 CFR 503. Biosolids monitoring requirements are summarized in Table E-9 below.

For accumulated and previously untested biosolids, the Discharger must develop a representative sampling plan, including number and location of sampling points, and collect representative samples.

Biosolids must be analyzed for the parameters and pollutants in the table below.

**Table E-9. Biosolids Monitoring Requirements**

<b>Parameter</b>	<b>Units</b>	<b>Sample Type</b>	<b>Minimum Sampling Frequency <sup>[4]</sup></b>
Quantity Removed	Tons or yd <sup>3</sup>	Measured	During Removal
Location of Reuse/Disposal	General Public or Specific Site <sup>[2]</sup>	--	--
Moisture Content	Percent	Grab	1/Year (July)
pH	standard units	Grab	1/Year (July)
Total Kjeldahl Nitrogen	mg/kg <sup>[1]</sup>	Grab	1/Year (July)
Ammonia (as N)	mg/kg <sup>[1]</sup>	Grab	1/Year (July)
Nitrate (as N)	mg/kg <sup>[1]</sup>	Grab	1/Year (July)
Total Phosphorus	mg/kg <sup>[1]</sup>	Grab	1/Year (July)

Parameter	Units	Sample Type	Minimum Sampling Frequency <sup>[4]</sup>
Oil and Grease	mg/kg <sup>[1]</sup>	Grab	1/Year (July)
Arsenic	mg/kg <sup>[1]</sup>	Grab	1/Year (July)
Boron	mg/kg <sup>[1]</sup>	Grab	1/Year (July)
Cadmium	mg/kg <sup>[1]</sup>	Grab	1/Year (July)
Copper	mg/kg <sup>[1]</sup>	Grab	1/Year (July)
Chromium (Total)	mg/kg <sup>[1]</sup>	Grab	1/Year (July)
Lead	mg/kg <sup>[1]</sup>	Grab	1/Year (July)
Mercury	mg/kg <sup>[1]</sup>	Grab	1/Year (July)
Molybdenum	mg/kg <sup>[1]</sup>	Grab	1/Year (July)
Nickel	mg/kg <sup>[1]</sup>	Grab	1/Year (July)
Selenium	mg/kg <sup>[1]</sup>	Grab	1/Year (July)
Zinc	mg/kg <sup>[1]</sup>	Grab	1/Year (July)
Ocean Plan Table 3 Pollutants (excluding asbestos)	mg/kg <sup>[1]</sup>	Grab	1/Year (July)

- <sup>[1]</sup> Total sample (including solids and any liquid portion) to be analyzed and results reported as mg/kg based on the dry weight of the sample.
- <sup>[2]</sup> The annual report must identify the destination for which biosolids are transported once they leave the Facility.
- <sup>[3]</sup> Sampling for Ocean Plan Table 3 parameters must be coordinated with effluent sampling for the same parameters.
- <sup>[4]</sup> Actual sampling frequency must be determined based on biosolids production, see Table E-8

9.2.2. Prior to land application, the Discharger must demonstrate that the biosolids meet Class A or Class B pathogen reduction levels by one of the methods listed in 40 C.F.R. section 503.32 (unless transferred to another preparer who demonstrates pathogen reduction). Prior to disposal in a surface disposal site, the Discharger must demonstrate that the biosolids meet Class B levels or must ensure that the site is covered at the end of each operating day. If pathogen reduction is demonstrated using a “Process to Significantly/Further Reduce Pathogens” (PFRP), the Discharger must maintain daily records of the operating parameters to achieve this reduction.

The following applies when biosolids from the Discharger are directly land applied as Class B, without further treatment by a second preparer. If the Discharger demonstrates pathogen reduction by direct testing for fecal coliforms and/or pathogens, samples must be drawn at the frequency in Table E-8. If the Discharger demonstrates Class B pathogen reduction by testing for fecal coliform, at least seven grab samples must be drawn and analyzed during each monitoring event and a geometric mean calculated from these seven samples. If the

Discharger demonstrates Class A pathogen reduction by testing for fecal coliform and/or salmonella plus one of the PFRP processes or testing for enteric viruses and helminth ova, at least four samples of fecal coliform or salmonella must be drawn during each monitoring event. All four samples must meet the limits specified in 503.32(a).

- 9.2.3. For biosolids that are land applied or placed in a surface disposal site, the Discharger must track and keep records of the operational parameters used to achieve Vector Attraction Reduction requirements in 40 C.F.R. section 503.33(b).
- 9.2.4. Class 1 facilities (facilities with pretreatment programs or others designated as Class 1 by the Regional Administrator) and federal facilities with greater than five million gallons per day (MGD) influent flow must sample biosolids for pollutants listed under CWA section 307(a), as required in the pretreatment section of the permit for publicly owned treatment works (POTWs) with pretreatment programs. Class 1 facilities and federal facilities greater than 5 MGD must test samples for dioxins/dibenzofurans using a detection limit of less than one pg/g at the time of their next priority pollutant scan if they have not done so within the past five years and once per five years thereafter.
- 9.2.5. Biosolids must be tested annually, or more frequently if necessary, to determine hazardousness. All pollutants regulated under California Code of Regulations title 22, division 5, chapter 11, article 3 must be analyzed for comparison with TTLC criteria. The Waste Extraction Test must be performed for any pollutant when the total concentration of the waste exceeds ten times the STLC limit for that substance.
- 9.2.6. If biosolids are placed in a surface disposal site (dedicated land disposal site or monofill), a qualified groundwater scientist must develop a groundwater monitoring program for the site or must certify that the placement of biosolids on the site will not contaminate an aquifer.
- 9.2.7. Biosolids placed in a municipal landfill must be tested by the Paint Filter Liquids Test (U.S. EPA Method 9095) at the frequency determined by Table E-8 or more often if necessary to demonstrate that there are no free liquids.
- 9.2.8. The Discharger, either directly or through contractual agreements with its biosolids management contractors, must comply with the following notification requirements:
  - 9.2.8.1. *Notification of non-compliance.* The Discharger must notify U.S. EPA Region 9, the State Water Board, and the regional water quality control board located in the region where the biosolids are used or disposed of any non-compliance within 24 hours if the noncompliance may seriously endanger health or the environment. For other instances of non-compliance, the Discharger must notify U.S. EPA Region 9 and the affected regional water quality control board of any non-compliance in writing within five working days of becoming aware of the non-compliance. The Discharger must require its biosolids management contractors to notify U.S. EPA Region 9 and the affected regional water quality control board of any non-compliance within the same time frames.



9.2.8.2. If biosolids are shipped to another state or to Tribal lands, the Discharger must send notice at least 60 days prior to the shipment to the permitting authorities in the receiving state or Tribal land (the U.S. EPA regional office for that area and the state/Tribal authorities).

9.2.8.3. *For land application (in cases where Class B biosolids are directly applied without further treatment):* Prior to reuse of any biosolids from the Discharger's facility to a new or previously unreported site, the Discharger must notify U.S. EPA, the Central Coast Water Board, and any other affected regional water quality control board. The notification must include description of the crops or vegetation to be grown, proposed loading rates and determination of agronomic rates.

If any biosolids within a given monitoring period do not meet 40 C.F.R. section 503.13 metals concentrations limits, the Discharger (or its contractor) must pre-notify U.S. EPA and determine the cumulative metals loading to that site to date, as required in 40 C.F.R. section 503.12. The Discharger must notify the applier of all the applier's requirements under 40 C.F.R. part 503, including the requirement that the applier certify that the management practices, site restrictions, and any applicable vector attraction reduction requirements have been met. The Discharger must require the applier to certify at the end of 38 months following application of Class B biosolids that the harvesting restrictions in effect for up to 38 months have been met.

9.2.8.4. *For surface disposal:* Prior to disposal to a new or previously unreported site, the Discharger must notify U.S. EPA and the Central Coast Water Board. The notice must include a description and a topographic map of the proposed site, depth to groundwater, whether the site is lined or unlined, site operator, site owner, and any State or local permits. The notice must describe procedures for ensuring public access and grazing restrictions for three years following site closure. The notice must include a groundwater monitoring plan or description of why groundwater monitoring is not required.

9.2.9. The Discharger must submit an annual biosolids report to the EPA Region 9 biosolids coordinator through the NeT e-reporting system (see <https://www.epa.gov/biosolids/compliance-and-annual-reporting-guidance-about-clean-water-act-laws>) by February 19 of each year for the period covering the previous calendar year. This report must include:

9.2.9.1 The quantity of biosolids generated that year and the amount of biosolids accumulated from previous years, in dry metric tons.

9.2.9.2 Results of all pollutant monitoring required in the Monitoring section, above, reported on a 100% dry weight basis.

9.2.9.3 Demonstrations and certifications of pathogen reduction methods and vector attraction reduction methods, as required in 40 CFR 503.17 and 503.27.

9.2.9.4 Names, mailing addresses, and street addresses of persons who received biosolids for storage, further treatment, or disposal in a municipal waste landfill,

or for other use or disposal methods not covered above, and the tonnages delivered to each.

- 9.2.9.5 For land application sites, the following information must be submitted by the permittee, unless the permittee requires its biosolids management contractors to report this information directly to the EPA Region 9 biosolids coordinator: locations of land application sites used that calendar year (with field names and numbers), size of each field applied to; the name of the site owner and biosolids appliers; the quantities applied to each field (in wet tons and dry metric tons); quantity of nitrogen applied and calculated plant-available nitrogen; and the crop(s) planted, date(s) of planting, and date(s) of harvesting. For biosolids exceeding 40 CFR 503.13 Table 3 pollutant concentrations, include the locations of sites where applied and cumulative metals loading at that site to date, certifications of management practices in 40 CFR 503.14, and certifications of site restrictions in 40 CFR 503.17(b)(6).
- 9.2.9.6 For surface disposal sites: The locations of sites, site operator, site owner, and size of parcel on which disposed; the results of any required groundwater monitoring; certifications of management practices in 40 CFR 503.24; and for closed sites, the date of site closure, and certifications of management practices for the three years following site closure.
- 9.2.9.7 All reports must be submitted through the NeT e-reporting system (see <https://www.epa.gov/biosolids/compliance-and-annual-reporting-guidance-about-clean-water-act-laws> for more information).

### 9.3. Hauled Saline Waste Monitoring

- 9.3.1 Hauled saline wastes must be discharged into the ocean outfall upstream of Monitoring Location EFF-001. Prior to discharging hauled saline waste through the ocean outfall, the Discharger must submit a hauled waste disposal study to the Executive Officer for approval. Central Coast Water Board staff will convene a technical advisory group to review the hauled saline waste study and provide comments to the Executive Officer. California Coastal Commission, Monterey Bay National Marine Sanctuary, California Fish and Wildlife, and California State Parks will be invited to participate in the technical advisory group.

The hauled saline waste study must include, at a minimum, the following elements:

- 9.3.1.1 A projection of the hauled saline waste volume and characteristics, including expectations of variability in discharge quality and quantity over time,
- 9.3.1.2 An assessment of the impact of the increased hauled saline waste volume on permit compliance,
- 9.3.1.3 An assessment of the impact of the hauled saline waste volume on the minimum probable initial dilution at the point of discharge,
- 9.3.1.4 A detailed description of any hauled saline waste treatment, storage and disposal facilities that are proposed to accommodate waste volume and facilitate blending, waste flow metering and sampling,

- 9.3.1.5 A schedule for the design and construction of the new hauled saline waste storage and disposal facilities,
  - 9.3.1.6 A detailed biological resources assessment,
  - 9.3.1.7 Documentation that the outfall is adequately maintained and structurally sound, and
  - 9.3.1.8 The parameters and frequencies, beyond those listed in Table E-10 below, that are needed to demonstrate the compliance of mixed effluent-hauled saline waste with effluent limitations of this Order.
- 9.3.2. Monitoring of secondary treated effluent blended with hauled saline waste accepted for discharge must include the following components.
- 9.3.2.1. Hauled saline waste must be introduced into the outfall prior to EFF-001 and must be characterized as follows at monitoring location EFF-001. Results of chemical monitoring must be reported to the Central Coast Water Board on Discharge Monitoring Reports. Any significant changes in hauled saline waste characteristics (from those presented in the Discharger's Hauled Saline Waste Management Plan) or potential impacts to combined effluent quality must be summarized.

**Table E-10. Hauled Saline Waste Monitoring Requirements**

Parameter	Units	Sample Type	Minimum Frequency of Sampling/Analysis	Monitoring Location
Electrical Conductivity	µmhos/com	Grab	1/Week	BRN-001
pH	Standard units	Grab	1/Week	BRN-001
Chronic Toxicity <sup>[1]</sup>	Toxic Units Chronic (TUc)	24-hour Composite	1/Year (July)	BRN-001 and EFF-001 <sup>[3]</sup>
Ocean Plan Table 3 Metals	µg/L	Grab	1/Year	BRN-001
Ocean Plan Table 3 Pollutants <sup>[2]</sup>	µg/L	Grab	1/Year	EFF-001 <sup>[3]</sup>

<sup>[1]</sup> Whole effluent toxicity monitoring must be conducted according to the requirements established in section 5 of this MRP

<sup>[2]</sup> Those pollutants identified in Table 3 of the Ocean Plan (2019). Analyses, compliance determination, and reporting for these pollutants must adhere to applicable provisions of the Ocean Plan, including the Standard Monitoring Procedures presented in Appendix III of the Ocean Plan. The Discharger

must instruct its analytical laboratory to establish calibration standards so that the Minimum Levels (MLs) presented in Appendix II of the Ocean Plan are the lowest calibration standards. The Discharger and its analytical laboratory must select MLs that are below applicable water quality criteria of Table 3; and when applicable water quality criteria are below all MLs, the Discharger and its analytical laboratory must select the lowest ML.

<sup>[3]</sup> Ocean Plan Table 3 pollutants and chronic toxicity sampling as part of the hauled saline waste program monitoring must be sampled when hauled saline waste is present in the effluent at EFF-001

9.3.2.2 If additional monitoring beyond that described in Table E-10 is warranted to demonstrate the compliance of mixed effluent-hauled saline waste at Monitoring Location EFF-001 with effluent limitations of this Order, the Discharger must specify those parameters and frequencies. If flow-weighted averages are appropriate, the Discharger must specify the manner and methods of those parameters' calculations.

9.3.2.3. The Discharger must maintain logs that describe and document hauled saline waste accepted by the treatment plant. Logs must record, at a minimum, the information detailed below. Copies of logs must be submitted to the Central Coast Water Board.

9.3.2.3.1. Date and time of receipt of each truckload;

9.3.2.3.2. Initials of facility personnel present at the time of receipt of each truckload;

9.3.2.3.3. Volume of hauled saline waste on each truckload, owner of each truckload, and a brief description of each truckload (e.g., potable water softener regeneration waste, industrial process demineralizer regeneration waste, reverse osmosis waste, etc.)

#### 9.4. Pretreatment Monitoring – Not Applicable

### 10. REPORTING REQUIREMENTS

#### 10.1. General Monitoring and Reporting Requirements

The Discharger must comply with all Standard Provisions (Attachment D) related to monitoring, reporting, and recordkeeping.

#### 10.2. Self-Monitoring Reports (SMRs)

10.2.1. The Discharger must electronically submit SMRs using the State Water Board's [California Integrated Water Quality System \(CIWQS\) Program website](http://www.waterboards.ca.gov/water_issues/programs/ciwqs) <[http://www.waterboards.ca.gov/water\\_issues/programs/ciwqs](http://www.waterboards.ca.gov/water_issues/programs/ciwqs)>. The CIWQS website will provide additional information for SMR submittal in the event there will be a planned service interruption for electronic submittal.

10.2.2. The Discharger must report in the SMR the results for all monitoring specified in this MRP under sections 3 through 9 (except for MRP section 9.4.). The Discharger must submit SMRs including the results of all required monitoring

using U.S. EPA-approved test methods or other test methods specified in this Order. SMRs are to include all new monitoring results obtained since the last SMR was submitted. If the Discharger monitors any pollutant more frequently than required by this Order, the results of this monitoring must be included in the calculations and reporting of the data submitted in the SMR.

10.2.3. Monitoring periods and reporting for all required monitoring must be completed according to the following schedule:

**Table E- 11. Reporting Schedule**

<b>SMR Name</b>	<b>Permit Section for Monitoring and Sampling Data Required in Report</b>	<b>SMR Submittal Frequency</b>	<b>SMR Due Date</b>
Influent and Effluent NPDES Monitoring Report - Monthly	MRP Sections 3 (Influent) and 4 (Effluent))	Monthly	First day of second calendar month following period of sampling
Recycled Water Monitoring Report	MRP Section 7.1 (Recycled Water Monitoring)	Annually	February 1 following calendar year of sampling
Wastewater and Recycled Water Volumetric Monitoring GeoTracker Report	MRP Section 7.2 (Volumetric Reporting of Wastewater and Recycled Water)	Annually	April 30 following calendar year  Note: This report is submitted using the GeoTracker system, not CIWQS.
Biosolids Monitoring Report for USEPA	MRP Section 9.2 (Biosolids)	Annually	February 19 following calendar of sampling  Note: This report is submitted to USEPA via the NeT e-reporting system, not CIWQS.
Summary Report	Attachment D, Standard Provision, 8.4.8 (page D-17)	Annually	February 1 following calendar year
Oil and Grease NPDES Monitoring Report	MRP Section 4 (Effluent)	Semi-Annually	March 1 and September 1 (following January and July sampling, respectively)
Chronic Toxicity	MRP Section 4 (Effluent)	Annually	September 1 following July sampling

<b>SMR Name</b>	<b>Permit Section for Monitoring and Sampling Data Required in Report</b>	<b>SMR Submittal Frequency</b>	<b>SMR Due Date</b>
NPDES Monitoring Report			
Biennial Metals NPDES Monitoring Report	MRP Section 4 (Effluent)	Biennially	September 1 (following July samples in 2023 and every two years thereafter)
Ocean Plan and Acute Toxicity NPDES Monitoring Report	MRP Section 4.1 Table E-3, Ocean Plan Table 3 Pollutants and Acute Toxicity (Effluent)	Once per five years	September 1, 2024 (following July 2024 sampling and every five years thereafter)
Ocean Outfall Inspection Technical Report	Permit Section 6.3.2.4 and MRP Section 9.1 (Ocean Outfall Inspection)	Annually	February 1st following calendar year of sampling
Hauled Saline Waste Study Technical Report	Permit Section 6.3.6.2. and MRP Section 9.3	Once per permit	If proposed and approved <sup>5</sup>
Hauled Saline Waste Program – Monitoring Report	MRP Sections 9.3 (Hauled Saline Waste Monitoring and Logs)	Quarterly (Conditional; reporting due if hauled saline waste study proposed, approved, and implemented)	First day of the second month following each calendar quarter
Coastal Hazards Response	Permit Section 6.3.6.1 (Climate Change Adaptation Program)	Once per permit term	July 11, 2022 (may be extended to July 22, 2024)

<sup>5</sup> A hauled saline waste disposal study must be approved by the Executive Officer prior to discharging saline waste through the ocean outfall. If the Discharger chooses to not discharge hauled saline waste, then no disposal study is required, therefore no submittal timeline is imposed. If proposed and approved, quarterly sampling and reporting is required beginning in the calendar quarter that the Discharger receives the Executive Officer’s approval.

SMR Name	Permit Section for Monitoring and Sampling Data Required in Report	SMR Submittal Frequency	SMR Due Date
Plan Technical Report			
Report of Waste Discharge Application	MRP Section 10.4.2 (Permit renewal application)	Once per permit term	November 1, 2026

10.2.4. **Reporting Protocols.** The Discharger must report with each sample result the applicable Reporting Level (RL) and the current Method Detection Limit (MDL), as determined by the procedure in 40 C.F.R. part 136. The Discharger must report the results of analytical determinations for the presence of pollutants in a sample using the following reporting protocols:

10.2.4.1. Sample results greater than or equal to the RL must be reported as measured by the laboratory (i.e., the measured chemical concentration in the sample).

10.2.4.2. Sample results less than the RL, but greater than or equal to the laboratory’s MDL, must be reported as “Detected, but Not Quantified,” or DNQ. The estimated chemical concentration of the sample must also be reported. For the purposes of data collection, the laboratory must write the estimated chemical concentration next to DNQ. The laboratory may, if such information is available, include numerical estimates of the data quality for the reported result. Numerical estimates of data quality may be percent accuracy ( $\pm$  a percentage of the reported value), numerical ranges (low to high), or any other means considered appropriate by the laboratory.

10.2.4.3. Sample results less than the laboratory’s MDL must be reported as “Not Detected,” or ND.

10.2.4.4. Dischargers are to instruct laboratories to establish calibration standards so that the ML value (or its equivalent if there is differential treatment of samples relative to calibration standards) is the lowest calibration standard. At no time is the Discharger to use analytical data derived from extrapolation beyond the lowest point of the calibration curve.

10.2.5. **Compliance Determination.** Compliance with effluent limitations for priority pollutants must be determined based on the requirements in provision 7 of this Order and using sample reporting protocols defined above and in Attachment A of this Order. For purposes of reporting and administrative enforcement by the Central Coast Water Board and State Water Board, the Discharger must be deemed out of compliance with effluent limitations if the concentration of the priority pollutant in the monitoring sample is greater than the effluent limitation and greater than or equal to the reporting level (RL).

10.2.6. **Multiple Sample Data.** When determining compliance with an AMEL, AWEL, or MDEL for priority pollutants and more than one sample result is available, the Discharger must compute the arithmetic mean unless the data set contains one or more reported determinations of “Detected, but Not Quantified” (DNQ) or “Not Detected” (ND). In those cases, the Discharger must compute the median in place of the arithmetic mean in accordance with the following procedure:

10.2.6.1. The data set must be ranked from low to high, ranking the reported ND determinations lowest, DNQ determinations next, followed by quantified values (if any). The order of the individual ND or DNQ determinations is unimportant.

10.2.6.2. The median value of the data set must be determined. If the data set has an odd number of data points, then the median is the middle value. If the data set has an even number of data points, then the median is the average of the two values around the middle unless one or both of the points are ND or DNQ, in which case the median value must be the lower of the two data points where DNQ is lower than a value and ND is lower than DNQ.

10.2.7. The Discharger must submit SMRs in accordance with the following requirements:

10.2.7.1. The Discharger must arrange all reported data in a tabular format. The data must be summarized to clearly illustrate whether the facility is operating in compliance with interim and/or final effluent limitations. The Discharger is not required to duplicate the submittal of data that is entered in a tabular format within CIWQS. When electronic submittal of data is required and CIWQS does not provide for entry into a tabular format within the system, the Discharger must electronically submit the data in a tabular format as an attachment.

10.2.7.2. The Discharger must attach a cover letter to the SMR. The information contained in the cover letter must clearly identify violations of the waste discharge requirements; discuss corrective actions taken or planned; and the proposed time schedule for corrective actions. Identified violations must include a description of the requirement that was violated and a description of the violation.

10.2.7.3. The Discharger must electronically self-report all identified violations of this Order using the CIWQS self-reported violations function.

### 10.3. Discharge Monitoring Reports (DMRs)

10.3.1. DMRs are U.S. EPA reporting requirements. The Discharger must electronically certify and submit DMRs together with SMRs using Electronic Self-Monitoring Reports module eSMR 2.5 or any upgraded version. Electronic DMR submittal must be in addition to electronic SMR submittal. Information about electronic DMR submittal is available at the DMR website at:  
<[http://www.waterboards.ca.gov/water\\_issues/programs/discharge\\_monitoring](http://www.waterboards.ca.gov/water_issues/programs/discharge_monitoring)>.

### 10.4. Other Reports

10.4.1. The Discharger must report the results of any special studies, acute and chronic toxicity testing, Toxicity Reduction Evaluation (TRE)/Toxicity Identification



Evaluation (TIE), and Pollutant Minimization Program (PMP), required in section 6.3 of this Order. The Discharger must report the progress in satisfaction of compliance schedule dates specified in section 6.3.7 of the Order. The Discharger must submit reports with the first monthly SMR scheduled to be submitted on or immediately following the report due date.

- 10.4.2. The Discharger must file a report of waste discharge as an application for reissuance of WDRs in accordance with title 23, California Code of Regulations and an application for reissuance of a National Pollutant Discharge Elimination System (NPDES) permit no later than **November 1, 2026**. The U.S. Environmental Protection Agency (U.S. EPA) and the California Regional Water Quality Control Board, Central Coast Region have classified this discharge as follows: Minor

NPDES permit application forms can be found online at:

[https://www.waterboards.ca.gov/water\\_issues/programs/npdes/individual\\_permits.html](https://www.waterboards.ca.gov/water_issues/programs/npdes/individual_permits.html) - renewing

- 10.4.3. The Discharger must report the volumetric monitoring requirements as specified in section 9.4 of the MRP to the State Water Board by April 30 of each calendar year. The Discharger must electronically certify and submit this annual report containing the required data via the State Water Board's Internet GeoTracker system at <http://geotracker.waterboards.ca.gov/>. Information about the volumetric reporting of wastewater and recycled water and the Recycled Water Policy is available at the Recycled Water Policy Volumetric Annual Reporting website at <http://www.waterboards.ca.gov/recycledwaterpolicy>.

**ATTACHMENT F – FACT SHEET**

1. PERMIT INFORMATION.....	3
2. FACILITY DESCRIPTION .....	4
2.1. <b>Description of Wastewater and Biosolids Treatment and Controls</b> .....	4
2.2. <b>Discharge Points and Receiving Waters</b> .....	6
2.3. <b>Summary of Existing Requirements and SMR Data</b> .....	6
2.4. <b>Compliance Summary</b> .....	8
2.5. <b>Planned Changes</b> .....	8
3. APPLICABLE PLANS, POLICIES, AND REGULATIONS.....	8
3.1. <b>Legal Authorities</b> .....	8
3.2. <b>California Environmental Quality Act (CEQA)</b> .....	9
3.3. <b>State and Federal Laws, Regulations, Policies, and Plans</b> .....	9
3.4. <b>Impaired Waterbodies on the CWA section 303(d) List</b> .....	11
3.5. <b>Other Plans, Polices and Regulations</b> .....	12
4. RATIONALE FOR EFFLUENT LIMITATIONS AND DISCHARGE SPECIFICATIONS	
13	
4.1. <b>Discharge Prohibitions</b> .....	13
4.2. <b>Technology-Based Effluent Limitations (TBELs)</b> .....	14
4.3. <b>Water Quality-Based Effluent Limitations (WQBELs)</b> .....	17
4.4. <b>Final Effluent Limitation Considerations</b> .....	28
4.5. <b>Interim Effluent Limitations – Not Applicable</b> .....	31
4.6. <b>Land Discharge Specifications – Not Applicable</b> .....	31
4.7. <b>Recycling Specifications</b> .....	31
5. RATIONALE FOR RECEIVING WATER LIMITATIONS .....	32
5.1. <b>Surface Water</b> .....	32
5.2. <b>Groundwater – Not Applicable</b> .....	32
6. RATIONALE FOR PROVISIONS .....	32
6.1. <b>Standard Provisions</b> .....	32
6.2. <b>Special Provisions</b> .....	33
7. RATIONALE FOR MONITORING AND REPORTING REQUIREMENTS.....	35
7.1. <b>Influent Monitoring</b> .....	36
7.2. <b>Effluent Monitoring</b> .....	36
7.3. <b>Whole Effluent Toxicity Testing Requirements</b> .....	36
7.4. <b>Recycled Water Monitoring</b> .....	36
7.5. <b>Receiving Water Monitoring</b> .....	36
7.6. <b>Pretreatment Monitoring – Not Applicable</b> .....	37
7.7. <b>Potable Water Supply Monitoring – Not Applicable</b> .....	37
7.8. <b>Other Monitoring Requirements</b> .....	37
8. PUBLIC PARTICIPATION.....	37
8.1. <b>Notification of Interested Persons</b> .....	37
8.2. <b>Written Comments</b> .....	38
8.3. <b>Public Hearing</b> .....	38
8.4. <b>Reconsideration of Waste Discharge Requirements</b> .....	38
8.5. <b>Information and Copying</b> .....	39
8.6. <b>Register of Interested Persons</b> .....	39
8.7. <b>Additional Information</b> .....	39

TABLE OF TABLES

Table F-1. Facility Information .....	3
Table F-2. Historic Flows.....	6
Table F-3. Discharge Points and Receiving Water.....	6
Table F-4. Historic Effluent Limitations and Monitoring Data from Discharge Point 001 from February 1, 2014 to September 8, 2021 .....	7
Table F-5. Compliance Summary <sup>[1]</sup> .....	8
Table F-6. Basin Plan Beneficial Uses .....	9
Table F-7. Ocean Plan Beneficial Uses.....	10
Table F-8. Secondary Treatment Requirements .....	15
Table F-9. Technology-Based Effluent Limitations – Discharge Point 001.....	16
Table F-10. Summary of RPA Results .....	20
Table F-11. Background Concentrations (Cs) – California Ocean Plan (Table 5).....	26
Table F-12. Example Parameter Water Quality Objectives .....	26
Table F-13. Water Quality-Based Effluent Limitations, Protection of Marine Aquatic Life .....	27
Table F-14. Final Effluent Limitations — Conventional Pollutants– Discharge Point 001 .....	30
Table F-15. Final Effluent Limitations— Non-Conventional and Toxic Pollutants— Discharge Point 001 .....	30

**ATTACHMENT F – FACT SHEET**

As described in section 2.2 of this Order, the California Regional Water Quality Control Board, Central Coast Region (Central Coast Water Board) incorporates this Fact Sheet as findings of the Central Coast Water Board supporting the issuance of this Order. This Fact Sheet includes the legal requirements and technical rationale that serve as the basis for the requirements of this Order.

This Order has been prepared under a standardized format to accommodate a broad range of discharge requirements for dischargers in California. Only those sections or subsections of this Order that are specifically identified as “not applicable” have been determined not to apply to this discharger. Sections or subsections of this Order not specifically identified as “not applicable” are applicable to this discharger.

**1. PERMIT INFORMATION**

The following table summarizes administrative information related to the San Simeon Wastewater Treatment Plant (Facility).

**Table F-1. Facility Information**

<b>WDID</b>	3 400110001
<b>GeoTracker No.</b>	NPD100051554
<b>ECM/CIWQS</b>	255462
<b>Discharger</b>	San Simeon Community Services District
<b>Name of Facility</b>	San Simeon Wastewater Treatment Plant
<b>Facility Address</b>	9245 Balboa Road San Simeon, CA 93446 San Luis Obispo County
<b>Facility Contact, Title and Phone</b>	Charles Grace, General Manager, (805) 927-4778
<b>Authorized Person to Sign and Submit Reports</b>	Charles Grace, General Manager, (805) 927-4778 Jerry Copeland, Chief Plant Operator (805) 765-7163
<b>Mailing Address</b>	111 Pico Avenue, San Simeon, CA 93452
<b>Billing Address</b>	111 Pico Avenue, San Simeon, CA 93452
<b>Type of Facility</b>	POTW
<b>Major or Minor Facility</b>	Minor
<b>Threat to Water Quality</b>	2
<b>Complexity</b>	B
<b>Pretreatment Program</b>	No

<b>Facility Permitted Flow</b>	0.2 million gallons per day (MGD) (daily average dry weather flow); 0.45 MGD (peak wet weather flow)
<b>Facility Design Flow</b>	0.2 million gallons per day (MGD) average dry weather flow
<b>Watershed</b>	San Simeon Hydrologic Sub-Area
<b>Receiving Waters</b>	Pacific Ocean (within the Monterey Bay National Marine Sanctuary)
<b>Receiving Water Type</b>	Marine

- 1.1. The San Simeon Community Services District (Discharger) is the owner and operator of the Facility, a publicly owned treatment works (POTW). For the purposes of this Order, references to the “discharger” or “permittee” in applicable federal and state laws, regulations, plans, or policy are held to be equivalent to references to the Discharger herein.
- 1.2. The Facility discharges wastewater to the Pacific Ocean, a water of the United States. The Discharger was previously regulated by Order No. R3-2013-0021 and National Pollutant Discharge Elimination System (NPDES) Permit No. CA0047961, adopted on December 5, 2013, which expired on February 1, 2019. Attachment B provides maps showing the area around the Facility, the discharge and monitoring locations, and of the Facility. Attachment C provides flow schematics of the Facility.
- 1.3. When applicable, state law requires dischargers to file a petition with the State Water Board, Division of Water Rights and receive approval for any change in the point of discharge, place of use, or purpose of use of treated wastewater that decreases the flow in any portion of a watercourse. The State Water Board retains separate jurisdictional authority to enforce any applicable requirements under California Water Code section 1211. This is not an NPDES permit requirement.
- 1.4. The Discharger filed a Report of Waste Discharge (ROWD) and submitted an application for reissuance of its waste discharge requirements (WDRs) and NPDES permit on April 6, 2018.
- 1.6. Section 122.46 of title 40 of the Code of Federal Regulations (40 C.F.R.) limit the duration of NPDES permits to a fixed term not to exceed five years. However, pursuant to California Code of Regulations, title 23, section 2235.4, the terms and conditions of an expired permit are automatically continued pending reissuance of the permit if the Discharger complies with all federal NPDES requirements for continuation of expired permits.

## 2. FACILITY DESCRIPTION

### 2.1. Description of Wastewater and Biosolids Treatment and Controls

The Discharger owns and operates a wastewater collection, treatment, and disposal facility, which provides service to the community of San Simeon and the Hearst San Simeon National Historic Monument Visitor Center. The Facility receives domestic and commercial wastewater and currently serves a population

of approximately 462 people. The Facility receives intermittent<sup>6</sup> flows of reverse osmosis concentrate from the San Simeon Community Services District drinking water treatment facility.

The Discharger owns and operates a wastewater collection, treatment and disposal system. The collection system is composed of approximately 1.6 miles of predominately 6-inch diameter pipe. The existing treatment plant has been in operation since 1961 and is considered a secondary treatment facility. The treatment system consists of a comminutor, a 90,000-gallon equalization basin, four activated sludge tanks, four clarifiers, a chlorine contact chamber, and dechlorination. Wastewater is discharged via an 800-foot ocean outfall at Discharge Point 001 to the Pacific Ocean, a water of the United States. The minimum initial dilution ratio of seawater to effluent is 115:1.

A tertiary treatment package unit was constructed in 2012 to provide recycled water for irrigation use within the service area.

Biosolids from the clarifiers are pumped to a spare aeration basin which is used as an aerobic digester. When solids concentration exceeds 2 percent, the contents are pumped to another sludge storage tank. Approximately once per month, 6,000 gallons of the concentrated biosolids are trucked to Liberty Composting, Lost Hills, California for disposal.

This Order provides the option for the Discharger to develop a hauled saline waste program that will allow it to accept and discharge concentrates from water filtration systems such as reverse osmosis or ion exchange treatment systems via Discharge Point 001. . Prior to discharging hauled saline waste through the ocean outfall, the Discharger must submit a hauled saline waste disposal study to the Executive Officer for their approval.<sup>7</sup> This Order authorizes such discharges and implements development of a hauled saline waste study and institutes monitoring and reporting of hauled saline waste wastes.

Historic flows observed at the Facility during the term of the previous Order are summarized below

---

<sup>6</sup> The drinking water filtration system reverse osmosis unit runs only on days when chloride levels in groundwater exceeds 250 mg/L. Historically, the maximum flow rate and number of days flow is present, respectively, is 9,000 gallons per day and 26 days per year.

<sup>7</sup> Central Coast Water Board staff will convene a technical advisory group to review the hauled saline waste study and provide comments to the Executive Officer. California Coastal Commission, Monterey Bay National Marine Sanctuary, California Fish and Wildlife, and California State Parks will be invited to participate in the technical advisory group.

**Table F-2. Historic Flows**

Year	Maximum Daily Flow (MGD)	Annual Average Daily Dry-Weather Flow (MGD)
2015	0.161	0.086
2016	0.180	0.093
2017	0.331	0.092
2018	0.289	0.079
2019	0.158	0.088
2020	0.144	0.064

**2.2. Discharge Points and Receiving Waters**

Secondary treated wastewater is discharged to the Pacific Ocean through an 800-foot outfall/diffuser system. The outfall (Discharge Point 001) terminates in the Pacific Ocean at coordinates 35° 36' 32" N, 121° 09' 05" W.

Discharge Point 002 represents tertiary-treated recycled water before it is distributed for reuse.

**Table F-3. Discharge Points and Receiving Water**

Discharge Point	Effluent Description	Discharge Point Latitude	Discharge Point Longitude	Receiving Water
001	Secondary treated domestic wastewater	35° 36' 32" N	121° 09' 05" W	Pacific Ocean <sup>5</sup>
002 <sup>8</sup>	Tertiary-treated domestic wastewater	--	--	Discharge to land for irrigation purposes

<sup>5</sup> Discharges into Monterey Bay National Marine Sanctuary

**2.3. Summary of Existing Requirements and SMR Data**

Effluent limitations contained in the existing Order for discharges from Discharge Point 001 and representative monitoring data from the previous order are as follows:

<sup>8</sup> Discharge Point 002 is a point of compliance for tertiary-treated water prior to distribution, and not an actual discharge location.

**Table F-4. Historic Effluent Limitations and Monitoring Data from Discharge Point 001 from February 1, 2014 to September 8, 2021**

Parameter	Units	Effluent Limit: Average Monthly	Effluent Limit: Average Weekly	Effluent Limit: Maximum Daily	Highest Average Monthly Discharge	Highest Average Weekly Discharge	Highest Daily Discharge
Biochemical Oxygen Demand 5-day @ 20°C (BOD <sub>5</sub> )	milligram per liter (mg/L)	30	45	90	11	11	11
BOD <sub>5</sub>	pounds per day (lbs/day)	50	75	150	10.48	10.48	10.48
BOD <sub>5</sub>	percent removal	≥85 <sup>[1]</sup>			92.5 <sup>[1]</sup>		
Total Suspended Solids (TSS)	mg/L	30	45	90	36	36	36
TSS	lbs/day	50	75	150	29.3	29.3	29.3
TSS	percent removal	≥85 <sup>[1]</sup>			79 <sup>[1]</sup>		
pH	standard units			6.0 to 9.0 <sup>[2]</sup>			6.06 to 8.23 <sup>[2]</sup>
Oil and Grease	mg/L	25	40	75	5	5	5
Settleable Solids	milliliter per liter per hour (mL/L/hr)	1.0	1.5	3.0		1.14	3
Total Coliform	MPN/100 mL	230 <sup>[3]</sup>		2,400 <sup>[3]</sup>	26.5 <sup>[4]</sup>		5,400 <sup>[5]</sup>
Total Chlorine Residual	µg/L	230 <sup>[6]</sup>		930 <sup>[7]</sup> 6,900 <sup>[8]</sup>	20 <sup>[6]</sup>		840 <sup>[7][8]</sup>
Chronic Toxicity	Toxic Units Chronic (TUc)			116			5.56
Acute Toxicity	Toxic Units Acute (TUa)			3.8			0.18

ND = Not Detected

<sup>[1]</sup> Lowest average monthly percent removal.

<sup>[2]</sup> Applied as instantaneous minimum and maximum values.

<sup>[3]</sup> The total coliform concentrations must not exceed a 30-day geometric mean of 230 MPN/100 mL and no single sample shall exceed 2,300 MPN/100 mL.

<sup>[4]</sup> 30-day geometric mean

<sup>[5]</sup> Single sample maximum

<sup>[6]</sup> 6-Month median



- [7] Daily maximum
- [8] Instantaneous maximum

## 2.4. Compliance Summary

2.4.1. **Effluent Limitation Compliance Summary.** The Discharger violated its numeric effluent limitations twice during the term of the previous order. The following table summarizes the violations of effluent limitations based on data collected from February 2014 through July 2021.

**Table F-5. Compliance Summary** <sup>[1]</sup>

Parameter	Monitoring Period	Violation Type	Number of Violations	Reported Value Range	Permit Limitation	Units
Total Suspended Solids	May 2014	Percent Removal, Monthly Average	1	82%	85%	Percent Removal
Total Suspended Solids	August 2015	Monthly Average	1	36	30	mg/L

<sup>[1]</sup> Compliance summary of numeric effluent violations from February 2014 through July 2021.

## 2.5. Planned Changes

Potential changes to the facility include the addition of storage and disposal facilities associated with implementation of the hauled saline waste disposal program. There are no other planned changes at the facility for the duration of this permit term.

## 3. APPLICABLE PLANS, POLICIES, AND REGULATIONS

The requirements contained in this Order are based on the requirements and authorities described in this section.

### 3.1. Legal Authorities

This Order serves as WDRs pursuant to article 4, chapter 4, division 7 of the California Water Code (commencing with section 13260). This Order is also issued pursuant to section 402 of the federal Clean Water Act (CWA) and implementing regulations adopted by the U.S. Environmental Protection Agency (U.S. EPA) and chapter 5.5, division 7 of the California Water Code (commencing with section 13370). It shall serve as an NPDES permit authorizing the Discharger to discharge into waters of the United States at the discharge locations described in Table 1 subject to the WDRs in this Order.

**3.2. California Environmental Quality Act (CEQA)**

**3.3. State and Federal Laws, Regulations, Policies, and Plans**

**3.3.1. Water Quality Control Plan.** The Central Coast Water Board adopted the Water Quality Control Plan for the Central Coastal Basin (Basin Plan); the most recent version was adopted in June 2019. The Basin Plan designates beneficial uses, establishes water quality objectives (WQOs), and contains implementation programs and policies to achieve those objectives in the receiving waters located within the Central Coast Region. To address ocean waters, the Basin Plan incorporates by reference the Water Quality Control Plan for Ocean Waters of California (Ocean Plan). The Ocean Plan is discussed in further detail in 3.3.5 of this Fact Sheet.

The Basin Plan implements State Water Board Resolution No. 88-63, which establishes State policy that all waters, with certain exceptions, should be considered suitable or potentially suitable for municipal or domestic supply (MUN). Because of very high levels of total dissolved solids (TDS) in the Pacific Ocean, the receiving waters for discharges from the Facility meet an exception to Resolution No. 88-63, which precludes waters with TDS levels greater than 3,000 mg/L from the MUN designation. Beneficial uses established by the Basin Plan for the Pacific Ocean are presented below.

Beneficial uses applicable to Pacific Ocean are as follows:

**Table F-6. Basin Plan Beneficial Uses**

Discharge Point	Receiving Water Name	Beneficial Use(s)
001	Pacific Ocean (Point Piedras Blancas and Point Estero)	Water Contact (REC-1) Non-Contact Recreation (REC-2) Navigation (NAV) Marine Habitat (MAR) Shellfish Harvesting (SHELL) Commercial and Sport Fishing (COMM) Rare, Threatened, or Endangered Species (RARE) Wildlife Habitat (WILD)

Requirements of this Order implement the Basin Plan.

**3.3.4. Thermal Plan.** The State Water Board adopted the Water Quality Control Plan for Control of Temperature in the Coastal and Interstate Waters and Enclosed Bays and Estuaries of California (Thermal Plan) on January 7, 1971, and amended this plan on September 18, 1975. This plan contains the following temperature objective for existing discharges to enclosed bays and coastal waters of California which is applicable to this Discharger.

Elevated temperature waste discharges must comply with limitations necessary to assure protection of beneficial uses.

The Ocean Plan defines elevated temperature wastes as: liquid, solid, or gaseous material discharged at a temperature higher than the natural temperature of receiving water.

Requirements of this Order implement the Thermal Plan.

- 3.3.5. **California Ocean Plan.** The State Water Board adopted the Water Quality Control Plan for Ocean Waters of California, California Ocean Plan (Ocean Plan) in 1972 and amended it in 1978, 1983, 1988, 1990, 1997, 2000, 2005, 2009, 2012, 2015, and 2018. The State Water Board adopted the latest amendment on August 7, 2018, and it became effective on February 4, 2019. The Ocean Plan is applicable, in its entirety, to point source discharges to the ocean. The Ocean Plan identifies beneficial uses of ocean waters of the state to be protected as summarized below:

**Table F-7. Ocean Plan Beneficial Uses**

Discharge Point	Receiving Water Name	Beneficial Use(s)
001	Pacific Ocean	Industrial Supply Water Contact Recreation Non-Contact Recreation, including aesthetic enjoyment Navigation Commercial and Sport Fishing Mariculture Preservation and Enhancement of Designated Areas of Special Biological Significance (ASBS) Rare and Endangered Species Marine Habitat Fish Migration Fish Spawning and Shellfish Harvesting

- 3.3.8. **Antidegradation Policy.** Federal regulations at 40 C.F.R. section 131.12 require that state water quality standards include an antidegradation policy consistent with the federal policy. The anti-degradation policy requires that the quality of existing high-quality water be maintained unless the State finds that any change will be consistent with maximum benefit to the people of the State, will not unreasonably affect present and anticipated beneficial use of such water, and will not result in water quality less than that prescribed in policies as of the date on which such policies became effective. The Antidegradation Policy also requires best practicable treatment or control (BPTC) of discharges to high-quality waters to assure that pollution or nuisance will not occur, and that the highest water

quality consistent with maximum benefit to the people of the state will be maintained.

The State Water Board established California's antidegradation policy in State Water Board Resolution No. 68-16 ("Statement of Policy with Respect to Maintaining High Quality of Waters in California"). Resolution No. 68-16 is deemed to incorporate the federal antidegradation policy where the federal policy applies under federal law. Resolution No. 68-16 requires that existing water quality be maintained unless degradation is justified by specific findings. The Central Coast Water Board's Basin Plan implements, and incorporates by reference, both the state and federal antidegradation policies. The permitted discharge must be consistent with the antidegradation provision of 40 C.F.R. section 131.12 and State Water Board Resolution No. 68-16.

The Pacific Ocean at Discharge Point 001 is a high-quality water with regard to some pollutants. The baseline is the best water quality existing since 1968, the year in which State Water Board Resolution No. 68-16 was promulgated. Section 4.4.2 of the Fact Sheet includes considerations for the potential impacts of discharging secondary treated effluent to the Pacific Ocean.

- 3.3.9. **Anti-Backsliding Requirements.** Sections 402(o) and 303(d)(4) of the CWA and federal regulations at 40 C.F.R. section 122.44(l) restrict backsliding in NPDES permits. These anti-backsliding provisions require that effluent limitations in a reissued permit must be as stringent as those in the previous permit, with some exceptions in which limitations may be relaxed. All limitations and requirements of this Order are consistent with anti-backsliding requirements of the CWA and NPDES Regulations.
- 3.3.10. **Endangered Species Act Requirements.** This Order does not authorize any act that results in the taking of a threatened or endangered species or any act that is now prohibited, or becomes prohibited in the future, under either the California Endangered Species Act (Fish and Game Code, §§ 2050 to 2097) or the Federal Endangered Species Act (16 U.S.C.A. §§ 1531 to 1544). This Order requires compliance with effluent limits, receiving water limits, and other requirements to protect the beneficial uses of waters of the state. The Discharger is responsible for meeting all requirements of the applicable Endangered Species Act.
- 3.3.11. **Sewage Sludge and Biosolids.** This Order does not authorize any act that results in violation of requirements administered by U.S. EPA to implement 40 C.F.R. part 503, Standards for the Use or Disposal of Sewage Sludge. These standards regulate the final use or disposal of sewage sludge that is generated during the treatment of domestic sewage in a municipal wastewater treatment facility. The Discharger is responsible for meeting all applicable requirements of 40 C.F.R. part 503 that are under U.S. EPA's enforcement authority.

#### 3.4. Impaired Waterbodies on the CWA section 303(d) List

CWA section 303(d) requires states to identify specific waterbodies where water quality standards are not expected to be met after implementation of technology-

based effluent limitations on point sources. For all 303(d) listed waterbodies and pollutants, the Central Coast Water Board must develop and implement Total Maximum Daily Loads (TMDLs) that will specify Waste Load Allocations (WLAs) for point sources and Load Allocations (LAs) for non-point sources.

The U.S. EPA approved the State's 2018 303(d) list of impaired waterbodies on June 9, 2021. The 2018 303(d) list identifies one surface water in the vicinity of the discharge, Pico Creek, as impaired for dissolved oxygen. The segment that is impaired due to low dissolved oxygen is located upstream of the Facility, between the creek mouth and the top of the lagoon (approximately 1/2 mile), and does not impact the determination of effluent limits at Monitoring Point EFF-001.

### 3.5. Other Plans, Policies and Regulations

- 3.5.1. **Statewide General Waste Discharge Requirements for Sanitary Sewer Systems (State Water Board Order No. 2006-0003-DWQ).** The State Water Board Order No. 2006-0003-DWQ, adopted on May 2, 2006, is applicable to all "federal and state agencies, municipalities, counties, districts, and other public entities that own or operate sanitary sewer systems greater than one mile in length that collect or convey untreated or partially treated wastewater to a publicly owned treatment facility in the State of California." The purpose of State Water Board Order No. 2006-0003-DWQ is to promote the proper and efficient management, operation, and maintenance of sanitary sewer systems and to minimize the occurrences and impacts of sanitary sewer overflows. The Discharger has obtained coverage under the State Water Board Order No. 2006-0003-DWQ.
- 3.5.3. **State Water Board Recycled Water Policy.** The Water Quality Control Policy for Recycled Water (Recycled Water Policy) was adopted by the State Water Board on December 11, 2018, and became effective on April 8, 2019. The purpose of the Recycled Water Policy is to encourage the safe use of recycled water in a manner that is protective of public health and the environment. This Order implements the Recycled Water Policy by supporting the production of recycled water and requiring volumetric reporting of wastewater and recycled water to the State Water Board. The Recycled Water Policy calls for the development of regional groundwater basin/sub-basin salt/nutrient management plans. This Order requires the Discharger to continue to commit funding and in-kind resources to facilitate implementation of a regional groundwater basin/sub-basin salt/nutrient management plan that implements the Recycled Water Policy.
- 3.5.4 **Statewide General Water Reclamation Requirements for Recycled Water Use (State Water Board Order No. WQ 2016-0068-DDW).** Water Quality Order WQ 2016-0068-DDW, adopted on June 7, 2016, is applicable to recycled water projects where recycled water is used or transported for non-potable uses. The distribution and offsite reuse of recycled water produced by the Facility is subject to State Water Board Order No. WQ 2016-0068-DDW, or other applicable permit, dependent on final use.

#### 4. RATIONALE FOR EFFLUENT LIMITATIONS AND DISCHARGE SPECIFICATIONS

The CWA requires point source dischargers to control the amount of conventional, non-conventional, and toxic pollutants that are discharged into the waters of the United States. The control of pollutants discharged is established through effluent limitations and other requirements in NPDES permits. There are two principal bases for effluent limitations in the Code of Federal Regulations: 40 C.F.R. section 122.44(a) requires that permits include applicable technology-based limitations and standards; and 40 C.F.R. section 122.44(d) requires that permits include water quality-based effluent limitations to attain and maintain applicable numeric and narrative water quality criteria to protect the beneficial uses of the receiving water.

##### 4.1. Discharge Prohibitions

- 4.1.1. **Discharge Prohibition 3.1. (No discharge at a location or in a manner except as described by the Order).** This Order authorizes a single, specific point of discharge to the Pacific Ocean, Discharge Point 001. Discharge Point 002 is a point of compliance for tertiary-treated water prior to distribution, and not an actual discharge location. This prohibition is based on 40 C.F.R. section 122.21(a), duty to apply, and California Water Code section 13260, which requires filing a Report of Waste Discharge (ROWD) before discharges can occur. This prohibition is retained from the previous permit.
- 4.1.2. **Discharge Prohibition 3.2. (The discharge of any waste not specifically regulated by this Permit is prohibited).** Because limitations and conditions of the Order have been prepared based on specific information provided by the Discharger and specific wastes described by the Discharger, the limitations and conditions of the Order do not adequately address waste streams not contemplated during drafting of the Order. Discharges to surface waters at locations not contemplated by this Order or discharges of a character not contemplated by this Order are therefore viewed as inconsistent with CWA section 402's prohibition against discharges of pollutants except in compliance with the CWA's permit requirements, effluent limitations, and other enumerated provisions. To prevent the discharge of such waste streams that may be inadequately regulated, the Order prohibits the discharge of any waste that was not described to the Central Coast Water Board during the process of permit reissuance.
- 4.1.3. **Discharge Prohibition 3.3. (The average dry-weather monthly rate of discharge to the Pacific Ocean must not exceed 0.2 MGD.)** This prohibition reflects the design treatment capacity of the Facility that the Discharger provided in its Report of Waste Discharge for an NPDES permit and in supplemental information provided during the Order development. This prohibition ensures that the influent flow will not exceed the Facility's hydraulic and treatment capacity. Exceeding this flow could result in greater potential to violate water quality requirements. This prohibition has been retained from the Order No. R3-2013-0021.

- 4.1.4. **Discharge Prohibition 3.4 (The discharge of effluent without a dilution of 115:1 is prohibited).** This prohibition is based on the reported minimum initial dilution for the Discharger's outfall and is necessary to ensure that the water quality-based effluent limitations that have been calculated based on the available dilution of 115:1 (seawater to effluent) are protective of water quality.
- 4.1.5 **Discharge Prohibition 3.5. (The overflow, bypass, or overspray of wastewater from the Discharger's facilities and the subsequent discharge of untreated or partially treated wastewater, except as provided for in Attachment D, Standard Provision 1.7. (Bypass), is prohibited).** The discharge of untreated or partially treated wastewater from the Discharger's collection, treatment, or disposal facilities represents an unauthorized bypass pursuant to 40 C.F.R. section 122.41(m) or an unauthorized discharge, which poses a threat to human health and/or aquatic life, and therefore, is explicitly prohibited by this Order.
- 4.1.6. **Discharge Prohibition 3.6. (The discharge of any radiological, chemical, or biological warfare agent or high-level radioactive waste is prohibited).** This prohibition restates a discharge prohibition established in chapter III.I.1 of the Ocean Plan.
- 4.1.7. **Discharge Prohibition 3.7 (Pipeline discharge of sludge to the Ocean is prohibited by federal law. The discharge of municipal or industrial waste sludge directly to the Ocean, or into a waste stream that discharges to the Ocean, is prohibited by the Ocean Plan).** The discharge of sludge digester supernatant directly to the Ocean or to a waste stream that discharges to the Ocean without further treatment is prohibited). This prohibition restates a discharge prohibition established in chapter III.I.3 of the Ocean Plan.
- 4.1.8 **Discharge Prohibition 3.8 (Materials and substances that are prohibited).** This prohibition is based on the requirement of chapter III.A.2.b of the Ocean Plan.

## 4.2. Technology-Based Effluent Limitations (TBELs)

### 4.2.1. Scope and Authority

Section 301(b) of the CWA and implementing U.S. EPA permit regulations at 40 C.F.R. section 122.44 require that permits include conditions meeting applicable technology-based requirements at a minimum, and any more stringent effluent limitations necessary to meet applicable water quality standards. The discharge authorized by this Order must meet minimum federal technology-based requirements based on Secondary Treatment Standards at 40 C.F.R. part 133 as summarized in Table F-8.

Regulations promulgated in 40 CFR section 125.3(a)(1) require technology-based effluent limitations for municipal dischargers to be placed in NPDES permits based on Secondary Treatment Standards or Equivalent to Secondary Treatment Standards.

The Federal Water Pollution Control Act Amendments of 1972 (PL 92-500) established the minimum performance requirements for POTWs [defined in section 304(d)(1)]. Section 301(b)(1)(B) of that Act requires that such treatment works must, as a minimum, meet effluent limitations based on secondary treatment as defined by the U.S. EPA Administrator. Based on this statutory requirement, U.S. EPA developed secondary treatment regulations, which are specified in 40 C.F.R. part 133. These technology-based regulations apply to all municipal wastewater treatment plants and identify the minimum level of effluent quality attainable by secondary treatment in terms of 5-day biochemical oxygen demand (BOD<sub>5</sub>), total suspended solids (TSS), and pH.

**Table F-8. Secondary Treatment Requirements**

Parameter	Units	30-Day Average	7-Day Average	Instantaneous Minimum	Instantaneous Maximum
Biochemical Oxygen Demand 5-day @ 20°C (BOD <sub>5</sub> ) <sup>[1]</sup>	milligram per liter (mg/L)	30	45		
TSS <sup>[1]</sup>	mg/L	30	45		
pH	standard units			6.0	9.0

<sup>[1]</sup> The 30-day average percent removal must not be less than 85 percent.

Further, Table 4 of the Ocean Plan establishes TBELs for POTWs. These technology-based requirements for conventional pollutants (settleable matter, oil and grease) are applicable to the Facility.

#### 4.2.2. Applicable Technology-Based Effluent Limitations

Title 40 C.F.R. section 122.45(f)(1) requires effluent limitations be expressed in terms of mass, with some exceptions, and 40 C.F.R. section 122.45(f)(2) allows pollutants that are limited in terms of mass to additionally be limited in terms of other units of measurement. This Order includes effluent limitations expressed in terms of mass and concentration. In addition, pursuant to the exceptions to mass limitations provided in 40 C.F.R. section 122.45(f)(1), some effluent limitations are not expressed in terms of mass, such as pH and temperature, and when the applicable standards are expressed in terms of concentration and mass limitations are not necessary to protect the beneficial uses of the receiving waters.

4.2.2.1. The following table summarizes technology-based effluent limitations established by this Order at Discharge Points 001.



**Table F-9. Technology-Based Effluent Limitations – Discharge Point 001**

Parameter	Units	30-Day Average	7-Day Average	Maximum Daily	Instantaneous Minimum	Instantaneous Maximum
BOD <sub>5</sub> <sup>[1]</sup>	mg/L	25	35	90		
BOD <sub>5</sub>	pounds per day (lbs/day) <sup>[2]</sup>	50	75	150		
Total Suspended Solids (TSS) <sup>[1]</sup>	mg/L	30	45	90		
TSS	lbs/day <sup>[2]</sup>	50	75	150		
pH	standard units				6.0	9.0
Oil and Grease	mg/L	25	40	75		
Oil and Grease	lbs/day <sup>[2]</sup>	42	67	125		
Settleable Solids	mL/L	1.0	1.5	3.0		
Turbidity	NTU	75	100	225		

<sup>[1]</sup> The average monthly percent removal of BOD<sub>5</sub> and TSS, as measured at Monitoring Location EFF-001, must not be less than 85 percent.

<sup>[2]</sup> Mass loading limits were calculated using the following formulas:  
 $\text{lbs/day} = \text{pollutant concentration (mg/L)} * \text{permitted flow (0.2 MGD)} * \text{conversion factor (8.34)}$

4.2.2.1.1. **BOD<sub>5</sub> and TSS.** Federal Regulations, 40 CFR part 133, establish the minimum weekly and monthly average level of effluent quality attainable by secondary treatment for BOD and TSS. Effluent limitations for BOD and TSS have been carried over from Order No. R3-2013-0021 and represent the degree of treatment capable of the Facility.

In addition to average weekly and monthly effluent limitations, Order No. R3-2013-0021 contained maximum daily effluent limitations for BOD and TSS, which were established in previous Orders based on best professional judgment (BPJ). Consistent with antibacksliding provisions, maximum daily effluent limitations of 90 mg/L for BOD and 90 mg/L for TSS have been retained from Order No. R3-2013-0021.

Additionally, 40 CFR section 133.102, in describing the minimum level of effluent quality attainable by secondary treatment, states that the 30-day average percent removal must not be less than 85 percent. This Order contains a limitation requiring an average of at least 85 percent removal of BOD and TSS over each calendar month.

4.2.2.1.2. **pH.** 40 C.F.R. part 133, establishes technology-based effluent limitations for pH. The secondary treatment standards require the pH of the effluent to be no lower than 6.0 and no greater than 9.0 standard units. This pH range is also consistent with the Ocean Plan Table 4 effluent limitations.

4.2.2.1.2 **Settleable Solids.** Table 4 of the Ocean Plan establishes the minimum weekly, monthly, and maximum average of effluent quality attainable by secondary treatment for settleable solids. Effluent limitations for settleable solids have been established in this Order based on these requirements.

4.2.2.1.3 **Oil and Grease.** Table 4 of the Ocean Plan establishes the minimum weekly, monthly, and maximum average of effluent quality attainable by secondary treatment for oil and grease. Effluent limitations for oil and grease have been established in this Order based on these requirements.

4.2.2.1.4 **Turbidity.** Table 4 of the Ocean Plan establishes the minimum weekly, monthly, and maximum average of effluent quality attainable by secondary treatment for turbidity. Effluent limitations for turbidity have been established in this Order based on these requirements.

### 4.3. Water Quality-Based Effluent Limitations (WQBELs)

#### 4.3.1. Scope and Authority

CWA Section 301(b) and 40 C.F.R. section 122.44(d) require that permits include limitations more stringent than applicable federal technology-based requirements where necessary to achieve applicable water quality standards.

Section 122.44(d)(1)(i) of 40 C.F.R. requires that permits include effluent limitations for all pollutants that are or may be discharged at levels that have the reasonable potential to cause or contribute to an exceedance of a water quality standard, including numeric and narrative objectives within a standard. Where reasonable potential has been established for a pollutant, but there is no numeric criterion or objective for the pollutant, water quality-based effluent limitations (WQBELs) must be established using: (1) U.S. EPA criteria guidance under CWA section 304(a), supplemented where necessary by other relevant information; (2) an indicator parameter for the pollutant of concern; or (3) a calculated numeric water quality criterion, such as a proposed state criterion or policy interpreting the state's narrative criterion, supplemented with other relevant information, as provided in section 122.44(d)(1)(vi).

The process for determining reasonable potential and calculating WQBELs when necessary is intended to protect the designated uses of the receiving water as specified in the Basin Plan, and achieve applicable water quality objectives and criteria that are contained in other state plans and policies, or any applicable water quality criteria contained in the Ocean Plan.

#### 4.3.2. **Applicable Beneficial Uses and Water Quality Criteria and Objectives**

Beneficial uses for ocean waters of the Central Coast Region are established by the Basin Plan and Ocean Plan and are described in section 3.3.5 of this Fact Sheet.

Water quality criteria applicable to ocean waters of the region are established by the Ocean Plan, which includes WQOs for bacterial characteristics, physical characteristics, chemical characteristics, biological characteristics, and radioactivity. The WQOs from the Ocean Plan are incorporated as receiving water limitations in this Order. In addition, Table 3 of the Ocean Plan contains numeric WQOs for 83 toxic pollutants for the protection of marine aquatic life and human health.

#### 4.3.3. **Determining the Need for WQBELs**

Procedures for performing an RPA for ocean dischargers are described in section III.C and Appendix VI of the California Ocean Plan. The procedure is a statistical method that projects an effluent data set while taking into account the averaging period of WQOs, the long-term variability of pollutants in the effluent, limitations associated with sparse data sets, and uncertainty associated with censored data sets. The procedure assumes a lognormal distribution of the effluent data set and compares the 95th percentile concentration at 95 percent confidence of each Table 3 pollutant, accounting for dilution, to the applicable water quality criterion. The RPA results in one of three following endpoints.

Endpoint 1 - There is “reasonable potential.” An effluent limitation must be developed for the pollutant. Effluent monitoring for the pollutant, consistent with the monitoring frequency in Ocean Plan Appendix III is required.

Endpoint 2 - There is no “reasonable potential.” An effluent limitation is not required for the pollutant. Ocean Plan Appendix III effluent monitoring is not required for the pollutant. However, the Central Coast Water Board may require occasional monitoring for the pollutant or for whole effluent toxicity as appropriate.

Endpoint 3 - The RPA is inconclusive. Monitoring for the pollutant or whole effluent toxicity testing, consistent with the monitoring frequency in Ocean Plan Appendix III is required. An existing effluent limitation for the pollutant must remain in the permit; otherwise, the permit must include a reopener clause to allow for subsequent modification of the permit to include an effluent limitation if the monitoring establishes that the discharge causes, has the reasonable potential to cause, or contribute to an excursion above a Table 3 Ocean Plan water quality objective.

The State Water Board has developed a reasonable potential calculator ([RPcalc 2.2](#)). RPcalc 2.2 was used in the development of this Order and considers several pathways in the determination of reasonable potential.

##### a. First Path

If available information about the receiving water or the discharge supports a finding of reasonable potential without analysis of effluent

data, the Central Coast Water Board may decide that WQBELs are necessary after a review of such information. Such information may include facility or discharge type; solids loading, lack of dilution; history of compliance problems; potential toxic effects; fish tissue data; CWA section 303(d) status of the receiving water; the presence of threatened or endangered species or their critical habitat; or other information.

b. Second Path

If any pollutant concentration, adjusted to account for dilution, is greater than the most stringent applicable WQO, there is reasonable potential for that pollutant.

c. Third Path

If the effluent data contain three or more detected and quantified values (i.e., values that are at or above the minimum level (ML)) and all values in the data set are at or above the ML, a parametric RPA is conducted to project the range of possible effluent values. The 95th percentile concentration is determined at 95 percent confidence for each pollutant and compared to the most stringent applicable WQO to determine reasonable potential. A parametric analysis assumes that the range of possible effluent values is distributed log-normally. If the 95th percentile value is greater than the most stringent applicable WQO, there is reasonable potential for that pollutant.

d. Fourth Path

If the effluent data contains three or more detected and quantified values (i.e., values that are at or above the ML), but at least one value in the data set is less than the ML, a parametric RPA is conducted according to the following steps.

- i. If the number of censored values (those expressed as a “less than” value) account for less than 80 percent of the total number of effluent values, calculate the ML (the mean of the natural log of transformed data) and SL (the standard deviation of the natural log of transformed data) and conduct a parametric RPA, as described above for the Third Path.
- ii. If the number of censored values account for 80 percent or more of the total number of effluent values, conduct a non-parametric RPA, as described below for the Fifth Path. (A non-parametric analysis becomes necessary when the effluent data is limited, and no assumptions can be made regarding its possible distribution.)

e. Fifth Path

A non-parametric RPA is conducted when the effluent data set contains less than three detected and quantified values or when the

effluent data set contains three or more detected and quantified values but the number of censored values accounts for 80 percent or more of the total number of effluent values. A non-parametric analysis is conducted by ordering the data, comparing each result to the applicable water quality objective and accounting for ties. The sample number is reduced by one for each tie, when the dilution-adjusted method detection limit (MDL) is greater than the water quality objective. If the adjusted sample number, after accounting for ties, is greater than 15, the pollutant has no reasonable potential to exceed the water quality objective. If the sample number is 15 or less, the RPA is inconclusive, monitoring is required, and any existing effluent limitations in the expiring permit are retained.

In this case, an RPA was conducted using effluent monitoring data from February 2014 until April 2021. The implementation provisions for Table 3 in Section III.C of the Ocean Plan specify that the minimum initial dilution is the lowest average initial dilution within any single month of the year. Dilution estimates must be based on observed waste flow characteristics, observed receiving water density structure, and the assumption that no currents of sufficient strength to influence the initial dilution process flow across the discharge structure. Order No. R3-2013-0021 determined the minimum initial dilution factor (Dm) for the discharge to be 115 to 1 (seawater to effluent). The Discharger has indicated that no additions or modifications to the Facility have been proposed that would alter the previously determined dilution characteristics. Therefore, the previous Dm of 115 to 1 will be retained from the current Order and applied to WQBELs established herein. If the actual dilution ratio is found to be different, then the ratio will be recalculated and this Order may be reopened when and as appropriate.

A summary of the RPA is provided below.

**Table F-10. Summary of RPA Results**

Parameter	Units	n <sup>[1]</sup>	MEC <sup>[2],[3]</sup>	Most Stringent Criteria	Background	RPA Endpoint <sup>[4]</sup>
Arsenic	µg/L	3	<2	8 <sup>[5]</sup>	3 <sup>[6]</sup>	3
Cadmium	µg/L	3	<1	1 <sup>[5]</sup>	0	3
Chromium, Hexavalent	µg/L	3	<0.05	2 <sup>[5]</sup>	0	3
Copper	µg/L	4	23	3 <sup>[5]</sup>	2 <sup>[6]</sup>	2
Lead	µg/L	4	<5	2 <sup>[5]</sup>	0	2
Mercury	µg/L	3	1.05	0.04 <sup>[5]</sup>	0.0005 <sup>[6]</sup>	3
Nickel	µg/L	3	<10	5 <sup>[5]</sup>	0	3
Selenium	µg/L	3	2	15 <sup>[5]</sup>	0	3
Silver	µg/L	3	10	0.7 <sup>[5]</sup>	0.16 <sup>[6]</sup>	3

SAN SIMEON  
WASTEWATER TREATMENT PLANT

ORDER NO. R3-2022-0003  
NPDES NO. CA0047961

Zinc	µg/L	4	140	20 <sup>[5]</sup>	8 <sup>[6]</sup>	2
Cyanide	µg/L	1	0.0086	1 <sup>[5]</sup>	0	3
Total Residual Chlorine	µg/L	2,677	840	2 <sup>[5]</sup>	0	1
Ammonia	µg/L	0	NA	600 <sup>[5]</sup>	0	3
Acute Toxicity	TUa	1	0.18	0.3 <sup>[7]</sup>	0	3
Chronic Toxicity	TUc	7	5.56	1 <sup>[7]</sup>	0	3
Phenolic Compounds <sup>[8]</sup>	µg/L	0	NA	30 <sup>[5]</sup>	0	3
Chlorinated Phenolics <sup>[9]</sup>	µg/L	0	NA	1 <sup>[5]</sup>	0	3
Endosulfan <sup>[10]</sup>	µg/L	1	<0.0034	0.009 <sup>[5]</sup>	0	3
Endrin	µg/L	1	<0.00081	0.002 <sup>[5]</sup>	0	3
HCH <sup>[11]</sup>	µg/L	0	NA	0.004 <sup>[5]</sup>	0	3
Radioactivity	pCi/L	0	NA	<sup>[12]</sup>	0	3
Acrolein	µg/L	1	1.9	220 <sup>[13]</sup>	0	3
Antimony	µg/L	1	4.1	1,200 <sup>[13]</sup>	0	3
Bis(2-chloroethoxy)methane	µg/L	1	<0.1	4.4 <sup>[13]</sup>	0	3
Bis(2-chloroisopropyl)ether	µg/L	1	<0.13	1,200 <sup>[13]</sup>	0	3
Chlorobenzene	µg/L	1	<0.13	570 <sup>[13]</sup>	0	3
Chromium (III)	µg/L	1	0.62	190,000 <sup>[13]</sup>	0	3
Di-n-butyl phthalate	µg/L	1	<0.14	3,500 <sup>[13]</sup>	0	3
Dichlorobenzenes <sup>[14]</sup>	µg/L	1	<0.23	5,100 <sup>[13]</sup>	0	3
Diethyl phthalate	µg/L	1	<0.1	33,000 <sup>[13]</sup>	0	3
Dimethyl phthalate	µg/L	1	<0.1	820,000 <sup>[13]</sup>	0	3
4,6-Dinitro-2-methylphenol	µg/L	1	<0.11	220 <sup>[12]</sup>	0	3
2,4-Dinitrophenol	µg/L	1	<0.27	4.0 <sup>[12]</sup>	0	3
Ethylbenzene	µg/L	1	<0.13	4,100 <sup>[13]</sup>	0	3
Fluoranthene	µg/L	1	<0.0012	15 <sup>[13]</sup>	0	3
Hexachlorocyclopentadiene	µg/L	1	<0.14	58 <sup>[13]</sup>	0	3
Nitrobenzene	µg/L	1	<0.11	4.9 <sup>[13]</sup>	0	3
Thallium	µg/L	1	<0.21	2 <sup>[13]</sup>	0	3
Toluene	µg/L	1	<0.14	85,000 <sup>[13]</sup>	0	3
Tributyltin	µg/L	0	NA	0.0014 <sup>[13]</sup>	0	3
1,1,1-Trichloroethane	µg/L	1	< 0.14	540,000 <sup>[13]</sup>	0	3
Acrylonitrile	µg/L	1	< 0.4	0.10 <sup>[13]</sup>	0	3
Aldrin	µg/L	1	< 0.00079	0.000022 <sup>[13]</sup>	0	3
Benzene	µg/L	1	< 0.15	5.9 <sup>[13]</sup>	0	3

Benzidine	µg/L	1	< 1.4	0.000069 <sup>[13]</sup>	0	3
Beryllium	µg/L	1	< 0.36	0.033 <sup>[13]</sup>	0	3
Bis(2-chloroethyl) ether	µg/L	1	< 0.15	0.045 <sup>[13]</sup>	0	3
Bis(2-ethylhexyl) phthalate	µg/L	1	< 0.29	3.5 <sup>[13]</sup>	0	3
Carbon tetrachloride	µg/L	1	< 0.2	0.90 <sup>[13]</sup>	0	3
Chlordane <sup>[15]</sup>	µg/L	1	< 0.026	0.000023 <sup>[13]</sup>	0	3
Chlorodibromomethane	µg/L	0	NA	8.6 <sup>[13]</sup>	0	3
Chloroform	µg/L	0	NA	130 <sup>[13]</sup>	0	3
DDT <sup>[16]</sup>	µg/L	0	NA	0.00017 <sup>[13]</sup>	0	3
1,4-Dichlorobenzene	µg/L	1	<0.12	18 <sup>[13]</sup>	0	3
3,3-Dichlorobenzidine	µg/L	1	<0.54	0.0081 <sup>[13]</sup>	0	3
1,2-Dichloroethane	µg/L	1	<0.1	28 <sup>[13]</sup>	0	3
1,1-Dichloroethylene	µg/L	1	<0.12	0.9 <sup>[13]</sup>	0	3
Dichlorobromomethane	µg/L	1	4.2	6.2 <sup>[13]</sup>	0	2
Dichloromethane	µg/L	0	NA	450 <sup>[13]</sup>	0	3
1,3-Dichloropropene	µg/L	0	NA	8.9 <sup>[13]</sup>	0	3
Dieldrin	µg/L	1	<0.00097	0.00004 <sup>[13]</sup>	0	3
2,4-Dinitrotoluene	µg/L	1	<0.1	2.6 <sup>[13]</sup>	0	3
1,2-Diphenylhydrazine	µg/L	1	<0.1	0.16 <sup>[13]</sup>	0	3
Halomethanes <sup>[17]</sup>	µg/L	0	NA	130 <sup>[13]</sup>	0	3
Heptachlor	µg/L	1	<0.00069	0.00005 <sup>[13]</sup>	0	3
Heptachlor Epoxide	µg/L	1	<0.00069	0.00002 <sup>[13]</sup>	0	3
Hexachlorobenzene	µg/L	1	<0.15	0.00021 <sup>[13]</sup>	0	3
Hexachlorobutadiene	µg/L	1	<0.13	14 <sup>[13]</sup>	0	3
Hexachloroethane	µg/L	1	<0.15	2.5 <sup>[13]</sup>	0	3
Isophorone	µg/L	1	<0.11	730 <sup>[13]</sup>	0	3
N-nitrosodimethylamine	µg/L	1	<0.48	7.3 <sup>[13]</sup>	0	3
N-nitrosodi-N-propylamine	µg/L	1	<0.1	0.38 <sup>[13]</sup>	0	3
N-nitrosodiphenylamine	µg/L	1	<0.24	2.5 <sup>[13]</sup>	0	3
PAHs <sup>[18]</sup>	µg/L	0	NA	0.0088 <sup>[13]</sup>	0	3
PCBs <sup>[19]</sup>	µg/L	1	<0.298	0.000019 <sup>[13]</sup>	0	3
TCDD equivalents <sup>[20]</sup>	µg/L	0	NA	3.9x10 <sup>-9</sup> <sup>[13]</sup>	0	3

1,1,2,2-Tetrachoroethane	µg/L	1	< 0.12	2.3 <sup>[13]</sup>	0	3
Tetrachloroethylene	µg/L	1	< 0.13	2.0 <sup>[13]</sup>	0	3
Toxaphene	µg/L	1	< 0.035	0.00021 <sup>[13]</sup> ]	0	3
Trichloroethylene	µg/L	0	NA	27 <sup>[13]</sup>	0	3
1,1,2-Trichloroethane	µg/L	1	< 0.14	9.4 <sup>[13]</sup>	0	3
2,4,6-Trichlorophenol	µg/L	1	< 0.14	0.29 <sup>[13]</sup>	0	3
Vinyl Chloride	µg/L	1	<0.15	36 <sup>[13]</sup>	0	3

NA = Not Available

- [1] Number of data points available for the RPA.
- [2] If there is a detected value, the highest reported value is summarized in the table. If there are no detected values, the lowest MDL is summarized in the table.
- [3] Note that the reported Maximum Expected Concentration (MEC) does not account for dilution. The RPA does account for dilution; therefore, it is possible for a parameter with an MEC in exceedance of the most stringent criteria not to present a RP (i.e. Endpoint 1).
- [4] End Point 1 – RP determined, limit required, monitoring required.  
End Point 2 – Discharger determined not to have RP, monitoring may be established.  
End Point 3 – RPA was inconclusive, carry over previous limits if applicable, and establish monitoring.
- [5] Based on the 6-Month Median in the Table 3 of the Ocean Plan.
- [6] Background concentrations contained in Table 5 of the Ocean Plan.
- [7] Based on the Daily Maximum in Table 3 of the Ocean Plan.
- [8] Non-chlorinated phenolic compounds represent the sum of 2,4-dimethylphenol; 4,6-dinitro-2-methylphenol; 2,3-dinitrophenol; 2-methylphenol; 4-methylphenol; 2-nitrophenol; 4-nitrophenol, and phenol.
- [9] Chlorinated phenolic compounds represent the sum of 4-chloro-3-methylphenol; 2-chlorophenol; pentachlorophenol; 2,4,5-trichlorophenol; and 2,4,6-trichlorophenol.
- [10] Endosulfan represents the sum of alpha-endosulfan, beta-endosulfan, and endosulfan sulfate.
- [11] HCH (hexachlorocyclohexane) represents the sum of the alpha, beta, gamma (Lindane), and delta isomers of hexachlorocyclohexane.
- [12] Not to exceed limits specified in Title 17, Division 1, Chapter 5, Subchapter 4, Group 3, Article 3, Section 30253 of the California Code of Regulations.  
Radioactivity at levels that exceed the applicable criteria are not expected in the discharge.
- [13] Based on 30-Day Average in Table 3 of the Ocean Plan.
- [14] Dichlorobenzenes represent the sum of 1,2- and 1,3-dichlorobenzene.
- [15] Chlordane represents the sum of chlordane-alpha, chlordane-gamma, chlordene-alpha, chlordene-gamma, nonachlor-alpha, nonachlor-gamma, and oxychlordane.
- [16] DDT represents the sum of 4,4'DDT; 2,4'DDT; 4,4'DDE; 2,4'DDE; 4,4'DDD; and 2,4'DDD.



- [17] Halomethanes represent the sum of bromoform, bromomethane (methyl bromide), and chloromethane (methyl chloride).
- [18] PAHs (polynuclear aromatic hydrocarbons) represent the sum of acenaphthalene; anthracene; 1,2-benzanthracene; 3,4-benzofluoranthene; benzo[k]fluoranthene; 1,12-benzoperylene; benzo[a]pyrene; chrysene; dibenzo[a,h]anthracene; fluorene; indeno[1,2,3-cd]pyrene; phenanthrene; and pyrene.
- [19] PCBs (polychlorinated biphenyls) represent the sum of chlorinated biphenyls whose analytical characteristics resemble those of Aroclor-1016, Aroclor-1221, Aroclor-1232, Aroclor-1242, Aroclor-1248, Aroclor-1254, and Arcolor-1260.
- [20] TCDD equivalents represent the sum of concentrations of chlorinated dibenzodioxins (2,3,7,8-CDDs) and chlorinated dibenzofurans (2,3,7,8-CDFs) multiplied by their respective toxicity factors, as shown by the table below. USEPA Method 8280 may be used to analyze TCDD equivalents.

Isomer Group	Toxicity Equivalence Factor
2,3,7,8 – tetra CDD	1.0
2,3,7,8 – penta CDD	0.5
2,3,7,8 – hexa CDD	0.1
2,3,7,8 – hepta CDD	0.01
octa CDD	0.001
2,3,7,8 – tetra CDF	0.1
1,2,3,7,8 – penta CDF	0.05
2,3,4,7,8 – penta CDF	0.5
2,3,7,8 – hexa CDFs	0.1
2,3,7,8 – hepta CDFs	0.01
Octa CDF	0.001

In Order No. R3-2007-0024, the Central Coast Water Board established effluent limitations for acute toxicity based on in Table 3 of the Ocean Plan. In 2013, data was not available to determine reasonable potential for acute toxicity, thus the RPA for acute toxicity was inconclusive (End Point 3), and the effluent limitation for acute toxicity was retained. RPA analysis for acute toxicity remains inconclusive (End Point 3), thus the effluent limitation is again retained.

The RPA for chronic toxicity resulted in Endpoint 3, and thus the effluent limitation for chronic toxicity is not required. However, Section III.C.4.c of the Ocean Plan requires that chronic toxicity be monitored when dilution is between 100:1 and 350:1. Monitoring for chronic toxicity has been established based on the available dilution for the discharge location of 115:1. Further, a toxicity trigger of 116 TUC has been established based on the water quality objectives contained in Table 3 of the Ocean Plan and Equation 1 of Section III.C.4.a of the Ocean Plan, for the purposes of triggering toxicity reduction evaluations.

Endpoint 1 was determined for total residual chlorine, thus an effluent limitation for total residual chlorine has been retained.

#### 4.3.4. **WQBEL Calculations**

Table 3 of the Ocean Plan includes water quality objectives for the protection of marine aquatic life, and these objectives are used to establish effluent limits for discharges from this Facility.

The Ocean Plan considers the "minimum probable initial dilution" in determining effluent limitations for toxic pollutants. Initial dilution is the process that results in the rapid and irreversible turbulent mixing of wastewater with ocean water around the point of discharge. For the purposes of the Ocean Plan, minimum initial dilution is the lowest average initial dilution within any single month of the year. Dilution estimates must be based on observed waste flow characteristics, observed receiving water density structure, and the assumption that no currents of sufficient strength to influence the initial dilution process flow across the discharge structure. This Order establishes a dilution credit of 115 to 1 for use in calculating WQBELs based on the minimum initial dilution modeled to be achieved by the diffuser at the ocean outfall.

The following equation from section III.C.4.a. of the Ocean Plan was used to calculate all concentration-based, effluent limitations.

$$C_e = C_o + D_m (C_o - C_s)$$

Where:

$C_e$  = the effluent concentration limit,  $\mu\text{g/L}$

$C_o$  = the concentration (water quality objective) to be met at the completion of initial dilution,  $\mu\text{g/L}$

$C_s$  = background seawater concentration,  $\mu\text{g/L}$

$D_m$  = minimum probable initial dilution expressed as parts seawater per part wastewater.

Table 3 of the Ocean Plan establishes background concentrations for some pollutants to be used when determining reasonable potential (represented as "Cs"). In accordance with Table 3 of the Ocean Plan implementing procedures,

Cs equals zero for all pollutants not established in Table 3. The background concentrations provided in Table 5 of the Ocean Plan are summarized below.

**Table F-11. Background Concentrations (Cs) – California Ocean Plan (Table 5)**

Pollutant	Background Seawater Concentration
Arsenic	3 µg/L
Copper	2 µg/L
Mercury	0.0005 µg/L
Silver	0.16 µg/L
Zinc	8 µg/L

For all other California Ocean Plan Table 3 parameters, Cs=0

As an example, chronic toxicity trigger is determined as follows:

Water quality objectives from the Ocean Plan for chronic toxicity are:

**Table F-12. Example Parameter Water Quality Objectives**

Parameter	Units	6-Month Median	Daily Maximum	Instantaneous Maximum
Chronic Toxicity	TUc	N/A	1	N/A

N/A = Not Applicable

Using the equation,  $C_e = C_o + D_m (C_o - C_s)$ , the chronic toxicity trigger is calculated as follows.

Chronic Toxicity

$$C_e = N/A + 115 (N/A - 0) = N/A \text{ (6-Month Median)}$$

$$C_e = 1 + 115 (1 - 0) = 116 \text{ (Daily Maximum)}$$

$$C_e = N/A + 115 (N/A - 0) = N/A \text{ (Instantaneous Maximum)}$$

40 C.F.R. 122.45(f)(1) requires effluent limitations be expressed in terms of mass, with some exceptions, and 40 C.F.R. 122.45(f)(2) allows pollutants that are limited in terms of mass to additionally be limited in terms of other units of measurement. This Order includes effluent limitations expressed in terms of mass and concentration. In addition, pursuant to the exceptions to mass limitations provided in 40 C.F.R. 122.45(f)(1), some effluent limitations are not expressed in terms of mass, such as pH and temperature, and when the applicable standards are expressed in terms of concentration (e.g., CTR criteria and MCLs) and mass limitations are not necessary to protect the

beneficial uses of the receiving water. Mass-based effluent limitations were computed based on the average dry weather design flow rate (0.37 MGD) for average annual flow.

Mass-based effluent limitations were calculated using the following equation:

$$\text{lbs/day} = \text{permitted flow (MGD)} \times \text{pollutant concentration (mg/L)} \times 8.34$$

A summary of WQBELs established for Discharge Point 001 in this Order are provided in Table F-13 below.

**Table F-13. Water Quality-Based Effluent Limitations, Protection of Marine Aquatic Life**

Parameter	Units	6-Month Median <sup>[1]</sup>	Maximum Daily <sup>[2]</sup>	Instantaneous Maximum <sup>[1]</sup>
Total Chlorine Residual	µg/L	230	930	6,900
Total Chlorine Residual	lbs/day	0.4	1.6	12
Acute Toxicity	TUa		3.8	

<sup>[1]</sup> The six-month median must apply as a moving median of daily values for any 180-day period in which daily values represent flow-weighted average concentrations within a 24-hour period. For intermittent discharges, the daily value must be considered equal to zero for days on which no discharge occurred. The six-month median limit on daily mass emissions must be determined using the six-month median effluent concentration  $C_e$  and the observed flow rate,  $Q$ , in million gallons per day (MGD).

<sup>[2]</sup> The daily maximum must apply to flow-weighted 24-hour composite samples. The daily maximum mass emission must be determined using the daily maximum effluent concentration limit as  $C_e$  and the observed flow rate,  $Q$ , in MGD.

<sup>[3]</sup> The instantaneous maximum must apply to grab sample determinations.

#### 4.3.5 Indicator Bacteria

This Order establishes effluent limitations for total coliform. These effluent limitations are necessary in order to ensure discharges from the Facility are not causing or contributing to an exceedance of the water quality objectives in the Ocean Plan.

#### 4.3.6. Whole Effluent Toxicity (WET)

WET limitations protect receiving water from the aggregated toxic effect of a mixture of pollutants in effluent. WET tests measure the degree of response of exposed aquatic test organisms to an effluent. The WET approach allows for

protection of the narrative “no toxics in toxic amounts” criterion while implementing numeric criteria for toxicity. There are two types of WET tests – acute and chronic. An acute test is conducted over a short time period and measures mortality. A chronic toxicity test is conducted over a longer period of time and may measure mortality, reproduction, and growth.

The Basin Plan requires that all waters must be maintained free of toxic substances in concentrations which are toxic to, or which produce detrimental physiological responses in, human, plant, animal, or aquatic life. Survival of aquatic organisms in surface waters subjected to a waste discharge or other controllable water quality conditions must not be less than that for the same waterbody in areas unaffected by the waste discharge or for another control water.

Order No. R3-2013-0021 established effluent limitations for acute toxicity and annual monitoring requirements for both acute and chronic toxicity. The RPA results, summarized in Table F-10 of this Fact Sheet, indicate that the RPA for acute and chronic toxicity were inconclusive. Thus, the effluent limitations for acute toxicity established in the previous Order, and based on the requirements of the Ocean Plan, have been carried over. Because the RPA result for chronic toxicity is inconclusive, this order does not establish an effluent limitation for chronic toxicity. However, Section III.C.4.c of the Ocean Plan requires that chronic toxicity be monitored when dilution is between 100:1 and 350:1. Monitoring for chronic toxicity has been established based on the available dilution for the discharge location of 115:1. Further, a toxicity trigger of 116 TUc has been established based on the water quality objectives contained in Table 3 of the Ocean Plan and Equation 1 of Section III.C.4.a of the Ocean Plan, for the purposes of triggering toxicity reduction evaluations.

To ensure compliance with the acute toxicity effluent limitations and comply with the Toxicity Reduction Evaluation (TRE) Workplan, as described in Section 6.3.2.2 of this Order, the Discharger is required to conduct acute and chronic WET testing, as specified in the Monitoring and Reporting Program (Attachment E, section 5). Furthermore, the Special Provision contained at section 6.3.2.2. of this Order requires the Discharger to investigate the causes of and identify and implement corrective actions to reduce or eliminate effluent toxicity. If the discharge demonstrates toxicity exceeding the acute toxicity effluent limitation or chronic toxicity trigger, the Discharger is required to initiate a Toxicity Reduction Evaluation (TRE) in accordance with an approved TRE workplan.

#### **4.4. Final Effluent Limitation Considerations**

##### **4.4.1. Anti-Backsliding Requirements**

Sections 402(o) and 303(d)(4) of the CWA and federal regulations at 40 C.F.R. section 122.44(l) prohibit backsliding in NPDES permits. These anti-backsliding provisions require effluent limitations in a reissued permit to be as stringent as those in the previous permit, with some exceptions where limitations may be

relaxed. The effluent limitations in this Order are at least as stringent as the effluent limitations.

#### 4.4.2. **Antidegradation Policies**

Provisions of the Order are consistent with applicable antidegradation policy expressed by NPDES regulations at 40 CFR section 131.12 and by State Water Board Resolution No. 68-16. This Order does not authorize increases in discharge rates or pollutant loadings, and its limitations and conditions otherwise ensure maintenance of the existing quality of receiving waters.

#### 4.4.3. **Stringency of Requirements for Individual Pollutants**

This Order contains both technology-based and water quality-based effluent limitations for individual pollutants that are no more stringent than required by the federal CWA and the EPA-approved California Ocean Plan. This Order's technology-based pollutant restrictions on BOD, TSS, and pH implement the minimum, applicable federal technology-based requirements. Table 4 of the Ocean Plan specifies additional effluent limitations on oil and grease, settleable solids, and turbidity that are implemented in this Order. Water quality-based effluent limitations for total chlorine residual and acute toxicity implement water quality objectives that protect beneficial uses. Both the beneficial uses and the water quality objectives have been approved pursuant to federal law and are the applicable federal water quality standards.

#### 4.4.5. **Summary of Final Effluent Limitations**

##### 4.4.5.1. **Discharge Points 001**

- 4.4.5.1.1. The Discharger must maintain compliance with the below effluent limitations at Discharge Points 001 with compliance measured at Monitoring Locations EFF-001 as described in the Monitoring and Reporting Program, Attachment E.

**Table F-14. Final Effluent Limitations — Conventional Pollutants– Discharge Point 001**

Parameter	Units	Average Monthly	Average Weekly	Maximum Daily	Instantaneous Minimum	Instantaneous Maximum
BOD <sub>5</sub> <sup>[1]</sup>	mg/L	30	45	90		
BOD <sub>5</sub>	lbs/day <sup>[2]</sup>	50	75	150		
TSS <sup>[1]</sup>	mg/L	30	45	90		
TSS	lbs/day <sup>[2]</sup>	50	75	150		
pH	standard units				6.0	9.0
Oil and Grease	mg/L	25	40	75		
Oil and Grease	lbs/day <sup>[2]</sup>	42	67	125		
Settleable Solids	mL/L	1.0	1.5	3.0		
Turbidity	NTU	75	100	225		

<sup>[1]</sup> The average monthly percent removal for BOD and TSS must not be less than 85 percent.

<sup>[2]</sup> Mass loading limits were calculated using the following formulas:  
 $\text{lbs/day} = \text{pollutant concentration (mg/L)} * \text{permitted flow (0.2 MGD)} * \text{conversion factor (8.34)}$

**Table F-15. Final Effluent Limitations— Non-Conventional and Toxic Pollutants— Discharge Point 001**

Parameter	Units	6-Month Median <sup>[1]</sup>	Maximum Daily <sup>[2]</sup>	Instantaneous Maximum <sup>[3]</sup>
Total Chlorine Residual	µg/L	230	930	6,900
Total Chlorine Residual	lbs/day	0.4	1.6	12
Acute Toxicity	TUa		3.8	

<sup>[1]</sup> The six-month median must apply as a moving median of daily values for any 180-day period in which daily values represent flow weighted average concentrations within a 24-hour period. For intermittent discharges, the daily value must be considered equal to zero for days on which no discharge occurred. The six-month median limit on daily mass emissions must be determined using the six-month median effluent concentration  $C_e$  and the observed flow rate,  $Q$ , in million gallons per day (MGD).

- [2] The daily maximum must apply to flow weighted 24-hour composite samples. The daily maximum mass emission must be determined using the daily maximum effluent concentration limit as  $C_e$  and the observed flow rate,  $Q$ , in MGD.
- [3] The instantaneous maximum must apply to grab sample determinations.

**Dry Weather Flow.** Effluent average dry weather flow must not exceed a monthly average of 0.2 MGD.

**Bacteria.**

Total Coliform

- a. The total coliform concentrations must not exceed a 30-day geometric mean of 230 MPN/100 mL;
- b. No total coliform single sample shall exceed 2,400 MPN/100 mL.

**4.5. Interim Effluent Limitations – Not Applicable**

**4.6. Land Discharge Specifications – Not Applicable**

**4.7. Recycling Specifications**

Recycled water is produced using a small-scale tertiary treatment unit that relies upon a Title 22-approved filter system and ozone disinfection unit. Recycled water is produced in batches and stored in two 2,500-gallon HDPE storage tanks. Phase 1 of the recycled water program included securing a wharf head hydrant located on the Discharger's property to fill approved water trucks or water trailers for irrigation use. Phase 2 is the construction of a pipeline distribution network to the west side of Highway 1. Phase 2 has not been implemented as of the writing of this Order.

This Order allows the production of disinfected tertiary recycled wastewater in compliance with applicable state and local requirements regarding the production and use of reclaimed wastewater, including those requirements established by the California Department of Public Health at title 22, sections 60301 - 60357 of the California Code of Regulations, Water Recycling Criteria. The distribution and offsite reuse of recycled water produced by the Facility is subject to the State Water Resources Control Board's (State Water Board) General Water Reclamation Requirements for Recycled Water Use (State Water Board Order No. WQ 2016-0068-DDW),

The Discharger prepared a Title 22 engineering report and pilot study for the small-scale tertiary treatment unit, which was reviewed and approved by CDPH and the Central Coast Water Board in 2012. Recycled water limitations and specifications have been established consistent with the requirements of Title 22 CCR, the pilot study, and engineering report for Phase 1 deliveries. Additional recycled water limitations and specifications will be applicable if the Discharger expands the recycled water project beyond Phase 1's water truck or tanker delivery via gravity application (e.g., spray irrigation system, dual-plumbing installations, etc.). As of the writing of this Order, the recycled water program serves 20 approved users, no changes have been made to the treatment process or production rate of the



tertiary treatment unit, and phase 2 of the distribution system has not been initiated.

This Order includes water reclamation requirements for the Facility pursuant to the State Water Board's Division of Drinking Water recommendations submitted to the Central Coast Water Board. This Order requires the Discharger to adhere to the requirements outlined in section 4.3 and any additional conditions pursuant to specifications in updated title 22 engineering reports approved by the State Water Board's Division of Drinking Water.

In establishing these recycling specifications in the Order, the Central Coast Water Board considered the factors set forth in California Water Code sections 13263 and 13241, including the technical capabilities of the Facility; the past, present, and probable future uses of the receiving waters; the environmental characteristics of the hydrologic unit; economics; and the need to develop and use recycled water.

## **5. RATIONALE FOR RECEIVING WATER LIMITATIONS**

### **5.1. Surface Water**

The Ocean Plan contains numeric and narrative WQOs applicable to the coastal waters of California. Water quality objectives include an objective to maintain the high-quality waters pursuant to federal regulations (section 131.12) and State Water Board Resolution No. 68-16. Receiving water limitations in this Order are included to ensure protection of beneficial uses of the receiving water and are based on the water quality objectives contained in the Ocean Plan. All receiving water limitations for Discharge Point 001 to the Pacific Ocean are retained from Order No. R3-2013-0021.

### **5.2. Groundwater – Not Applicable**

## **6. RATIONALE FOR PROVISIONS**

### **6.1. Standard Provisions**

Standard Provisions, which apply to all NPDES permits in accordance with 40 C.F.R. section 122.41, and additional conditions applicable to specified categories of permits in accordance with 40 C.F.R. section 122.42, are provided in Attachment D to the Order.

Sections 122.41(a)(1) and (b) through (n) of 40 C.F.R. establish conditions that apply to all state-issued NPDES permits. These conditions must be incorporated into the permits either expressly or by reference. If incorporated by reference, a specific citation to the regulations must be included in the Order. Section 123.25(a)(12) of 40 C.F.R. allows the state to omit or modify conditions to impose more stringent requirements. In accordance with 40 C.F.R. section 123.25, this Order omits federal conditions that address enforcement authority specified in 40 C.F.R. sections 122.41(j)(5) and (k)(2) because the enforcement authority under

the California Water Code is more stringent. In lieu of these conditions, this Order incorporates by reference California Water Code section 13387(e).

## 6.2. Special Provisions

### 6.2.1. Reopener Provisions

The Order may be modified in accordance with the requirements set forth at 40 C.F.R. parts 122 and 124, to include appropriate conditions or limits based on newly available information, or to implement any new State water quality objectives that are approved by the U.S. EPA. As effluent is further characterized through additional monitoring, and if a need for additional effluent limitations becomes apparent after additional effluent characterization, the Order will be reopened to incorporate such limitations.

### 6.2.2. Special Studies and Additional Monitoring Requirements

**6.2.2.1 Toxicity Reduction Requirements.** The requirements in section 6.3.2.2 of this Order address requirements necessary to ensure compliance with Ocean Plan objectives for toxicity. The requirement to develop and maintain a TRE Workplan is established in this Order. When toxicity monitoring measures chronic toxicity in the effluent above the trigger of 116 TUc (Toxicity Units Chronic) established by this Order, the Discharger is required to resample and retest, if the discharge is continuing. When all monitoring results are available, the Central Coast Water Board Executive Officer can determine whether to initiate enforcement action, whether to require the Discharger to implement TRE requirements, or whether other measures are warranted.

**6.2.2.2. Receiving Water Monitoring for Bacteria.** To evaluate potential impacts on human health and assist in public health determinations, the Order contains requirements to conduct receiving water monitoring when any of the following occur: 1) effluent bacterial monitoring results exceed receiving water bacterial standards for water-contact or shellfish harvesting specified in section 5.1.1 of the Order 2) effluent data indicate that total coliform concentration in a single sample exceeded 2,400 MPN/100 mL twice in a 30-day period 4) or any other operational changes, plant upsets, or process failures that the Discharger or Water Board staff determines have the potential to cause bacteria levels outside normal ranges in the effluent. The Discharger must conduct surf zone and ocean receiving water monitoring for bacteria in accordance with section 8 of the Monitoring and Reporting Program (MRP). Results of the increased monitoring for bacteria must be summarized and submitted in a report to the Central Coast Water Board.

**6.2.2.3 Ocean Outfall and Diffuser Monitoring.** The Order requires the Discharger to conduct visual inspections of the outfall and diffuser system annually. This requirement is necessary to assess the structural integrity of the entire outfall structure and to determine whether there are leaks, potential leaks, or malfunctions.

**6.2.2.4 Hauled Saline Waste Monitoring.** The MRP includes separate monitoring requirements for the discharge of hauled saline waste. The Central Coast Water

Board is requiring the Discharger to develop a hauled saline wastes study to evaluate final effluent compliance at EFF-001 after mixing with treated wastewater. The MRP also requires that the Discharger maintain logs that describe and quantify hauled saline wastes waste on an annual basis to better characterize the composition of final combined effluent.

### 6.2.3. **Best Management Practices and Pollution Prevention**

6.2.3.1. **Pollutant Minimization Program.** The 2018 Ocean Plan establishes requirements for a pollutant minimization program (PMP) to reduce all potential sources of a pollutant through pollutant minimization control strategies. PMP language from section III.C.9 of the Ocean Plan is included in this Order to provide guidance in the event that a PMP must be developed and implemented by the Discharger. The Discharger is required to develop a PMP when there is evidence and effluent conditions present pursuant to section 6.3.3.1 of the Order or if required to do so in writing by the Central Coast Water Board Executive Officer.

### 6.2.4. **Construction, Operation, and Maintenance Specifications**

Section 6.3.4.1. of the Order requires the Discharger to comply with standard NPDES permit provisions based on federal and state regulations. These requirements have been retained from Order No. R3-2013-0021.

### 6.2.5. **Special Provisions for Publicly Owned Treatment Works (POTWs)**

6.2.5.1. **Biosolids.** The use and disposal of biosolids is regulated under federal and State laws and regulations, including permitting requirements and technical standards included in 40 C.F.R. part 503. The Discharger is required to comply with the standards and time schedules contained in 40 C.F.R. part 503, which is enforceable by U.S. EPA because California has not been delegated the authority to implement this program.

Title 27, CCR, Division 2, Subdivision 1, section 20005 establishes approved methods for the disposal of collected screenings, residual sludge, biosolids, and other solids removed from liquid wastes. Requirements to ensure the Discharger disposes of solids in compliance with State and federal regulations have been retained in this Order.

### 6.2.5.2. **Pretreatment. – Not Applicable**

6.2.5.3. **Statewide General Waste Discharge Requirements for Sanitary Sewer Systems (State Water Board Order No. 2006-0003-DWQ).** The Order requires coverage by and compliance with applicable provisions of General Waste Discharge Requirements for Sanitary Sewer Systems (State Water Board Order No. 2006-0003-DWQ). This General Permit, adopted on May 2, 2006, is applicable to all “federal and state agencies, municipalities, counties, districts, and other public entities that own or operate sanitary sewer systems greater than one mile in length that collect and/or convey untreated or partially treated wastewater to a publicly owned treatment facility in the State of California.” The purpose of the General Permit is to promote the proper and

efficient management, operation, and maintenance of sanitary sewer systems and to minimize the occurrences and impacts of sanitary sewer overflows.

#### 6.2.6. Other Special Provisions

6.2.6.1. **Climate Change Adaptation Program.** This Order requires the Discharger to submit a coastal hazards response plan consistent with CDP 3-19-0020 to ensure the Discharger continues to identify and address climate change hazards and vulnerabilities at the Facility. The requirement to submit a coastal hazards response plan and the timeframe to do so reflects an identical requirement in the Discharger's Coastal Development Permit (CDP) 3-19-0020, which was approved by the California Coastal Commission on July 11, 2019. The WWTP and vicinity is subject to coastal hazards related to ocean and creek flooding, which will only be exacerbated with sea level rise. Inundation of the facility will result in discharges of untreated wastewater into the Pacific Ocean, thusly the coastal hazards response plan is imperative to ensure continued function and viability of the WWTP in a manner that is protective of water quality.

The Central Coast Water Board is addressing the threats of climate change and flooding by including provisions in new and reissued orders that ensure climate change mitigation and adaptation strategies are implemented. There is widespread scientific consensus that climate change is occurring and will continue at an accelerating rate into the future. Extreme weather events, including drought, high-intensity precipitation, flooding, and extreme heat have occurred through much of California in the recent years and are projected to increase in frequency, extent, or intensity due to climate change.

Climate change has the potential to impact discharging facilities located on or near the coast through inundation, storm impacts, and erosion, increasing the risk of accidental discharge that results in discharge permit violations. These events have significant implications for wastewater treatment and operations, such as increased corrosion, deposition of solids, infiltration, overflows, inundation of facilities, impairment of treatment processes, and disruption of power or electrical components. Due to the long-term nature of these risks, there is a need to avoid piecemeal or reactionary adaptation and instead undertake proactive, long-term planning with consideration of various adaptation strategies that both keep facilities safe, maintain safe discharging practices, and avoid impacts to resources.

#### 6.2.7. Compliance Schedules – Not Applicable

### 7. RATIONALE FOR MONITORING AND REPORTING REQUIREMENTS

CWA section 308 and 40 C.F.R. sections 122.41(h), (j)-(l), 122.44(i), and 122.48 require that all NPDES permits specify monitoring and reporting requirements. California Water Code section 13383 authorizes the Central Coast Water Board to establish monitoring, inspection, entry, reporting, and recordkeeping requirements related to discharges to navigable waters or publicly owned treatment works. Water Code section 13267 further authorizes the Central Coast Water Board to establish

such requirements related to discharges of waste to any waters of the state within its region. The Monitoring and Reporting Program (MRP), Attachment E of this Order, establishes monitoring, reporting, and recordkeeping requirements that implement federal and state requirements.

The following provides the rationale for the inclusion of the monitoring and reporting requirements contained in the MRP for this facility to ensure compliance with Order requirements to ensure protection of water quality and beneficial uses. The burden, including costs, of these requirements bears a reasonable relationship to the need for and benefits to be obtained through the provision of these reports.

### **7.1. Influent Monitoring**

Monitoring requirements for BOD<sub>5</sub> and TSS have been retained from Order No. R3-2013-0021 to determine compliance with the Order's percent removal requirement for these pollutants. This permit also maintains influent monitoring requirements for flow to aid in the compliance determination with Facility's design flow and effluent limitations for flow. Influent monitoring requirements have been retained from the previous Order.

### **7.2. Effluent Monitoring**

Effluent monitoring is necessary to determine compliance with effluent limitations and evaluate compliance with applicable water quality objectives and criteria. All effluent monitoring requirements have been retained from Order No. R3-2013-0021.

### **7.3. Whole Effluent Toxicity Testing Requirements**

Whole effluent toxicity (WET) limitations protect receiving water quality from the aggregate toxic effect of a mixture of pollutants in the effluent. Acute toxicity testing measures mortality in 100 percent effluent over a short test period and chronic toxicity testing is conducted over a longer period of time and may measure mortality, reproduction, and or growth. Acute and chronic toxicity monitoring requirements are retained from the previous order.

### **7.4. Recycled Water Monitoring**

Recycled water monitoring is necessary to evaluate compliance with recycling specifications detailed in Section 4.3 of this Order. Recycling water monitoring requirements in this Order are based on title 22 criteria and the title 22 engineering report approved by the State Water Board's Division of Drinking Water.

### **7.5. Receiving Water Monitoring**

#### **7.5.1. Surface Water**

Surface water receiving water monitoring requirements are necessary to evaluate compliance with water quality objectives and the protection of beneficial uses. Surface water monitoring requirements have been retained from the previous order.

#### **7.5.2. Groundwater – Not Applicable**

**7.6. Pretreatment Monitoring – Not Applicable**

**7.7. Potable Water Supply Monitoring – Not Applicable**

**7.8. Other Monitoring Requirements**

**7.8.1. Annual Volumetric Reporting of Wastewater and Recycled Water**

To establish a realistic estimate of statewide recycled water use and potential for increased recycled water use statewide, the Recycled Water Policy and State Water Board Order No. WQ 2019-0037-EXEC (Amending Monitoring and Reporting Programs for Waste Discharge Requirements, National Pollutant Discharge Elimination System Permits, Water Reclamation Requirements, Master Recycling Permits, and General Waste Discharge Requirements) require Dischargers to report the volume of treated wastewater and recycled water. The annual report will meet implementation needs of the Recycled Water Policy and fill data gaps for additional statewide water planning efforts. The burden and cost of preparing the report is reasonable and consistent with the interest of the state in maintaining water quality and developing alternative water supplies to increase water resiliency. The Discharger must ensure that all volumetric reporting requirements from this Order are submitted in electronic format via the State Water Board's Internet GeoTracker system at <http://geotracker.waterboards.ca.gov/>. The State Water Board will evaluate progress towards the recycled water goals in the Recycled Water Policy and evaluate the need to update the recycled water goals in the future based on consistent statewide data.

7.8.2 The MRP includes separate monitoring requirements for the discharge of concentrated saline wastes waste. Concentrated saline waste monitoring must be conducted separately from secondary effluent monitoring because the concentrated saline waste is mixed with the secondary effluent discharge after the final effluent monitoring location (EFF-001). The addition of the concentrated saline waste at a point before this final monitoring location interferes with numerous effluent testing results. The Central Coast Water Board is requiring the Discharger to develop an updated concentrated saline waste monitoring plan to evaluate final effluent compliance after mixing with treated wastewater in light of these interferences. The requirements also retain logs that describe and quantify concentrated saline waste on an annual basis are established by the MRP to better characterize the composition of final combined effluent.

**8. PUBLIC PARTICIPATION**

The Central Coast Water Board will consider the reissuance of WDRs that will serve as an NPDES permit for San Simeon Wastewater Treatment Plant. As a step in the WDR renewal process, Central Coast Water Board staff developed tentative WDRs and encouraged public participation in the WDR adoption process.

**8.1. Notification of Interested Persons**

The Central Coast Water Board notified the Discharger and interested agencies and persons of its intent to prescribe WDRs for the discharge and provided an

opportunity to submit written comments and recommendations. Notification was also provided via the Central Coast Water Board's website.

The public has access to the agenda and any changes in dates and locations through the Central Coast Water Board's website at:  
<<http://www.waterboards.ca.gov/centralcoast/>>

## 8.2. Written Comments

Interested persons were invited to submit written comments concerning the tentative WDRs.

To be fully responded to by staff and considered by the Central Coast Water Board, the written comments were due at the Central Coast Water Board office by 5:00 p.m. on **January 7, 2022**.

A summary of comment letters and responses to comments are provided in the staff report for consideration of adoption of the proposed WDRs.

## 8.3. Public Hearing

The Central Coast Water Board will hold a public hearing on the WDRs during its regular Board meeting on the following date and time and at the following location:

Date: February 17-18, 2022  
Time: 9:00 am – 5:00 pm  
Location: Via video and teleconference. Information about participating in the remote meeting can be found at:[https://www.waterboards.ca.gov/centralcoast/board\\_info/remote\\_meeting/index.html](https://www.waterboards.ca.gov/centralcoast/board_info/remote_meeting/index.html). Any changes to the hearing location, e.g., to add a physical location, will be included in the Central Coast Water Board's meeting agenda.

Interested persons are invited to attend. At the public hearing, the Central Coast Water Board invites testimony pertinent to the discharge, WDRs, and permit. For accuracy of the record, important testimony is requested in writing.

## 8.4. Reconsideration of Waste Discharge Requirements

Any person aggrieved by this action of the Central Coast Water Board may petition the State Water Board to review the action in accordance with California Water Code section 13320 and California Code of Regulations, title 23, sections 2050 and following. The State Water Board must receive the petition by 5:00 p.m., within 30 calendar days of the date of adoption of this Order at the following address, except that if the thirtieth day following the date of this Order falls on a Saturday, Sunday, or state holiday, the petition must be received by the State Water Board by 5:00 p.m. on the next business day:

State Water Resources Control Board  
Office of Chief Counsel  
P.O. Box 100, 1001 I Street  
Sacramento, CA 95812-0100

Or by email at [waterqualitypetitions@waterboards.ca.gov](mailto:waterqualitypetitions@waterboards.ca.gov)

For instructions on how to file a petition for review, see the State Water Board's website on instructions for filing water quality petitions at:

[https://www.waterboards.ca.gov/public\\_notices/petitions/water\\_quality/wqpetition\\_instr.shtml](https://www.waterboards.ca.gov/public_notices/petitions/water_quality/wqpetition_instr.shtml).

#### **8.5. Information and Copying**

The Report of Waste Discharge, other supporting documents, and comments received are on electronic file and may be inspected. Due to State guidance in response to Covid-19, please contact the Central Coast Water Board to facilitate the electronic review of documents in lieu of a physical office visit. Copying of documents may be arranged through the Central Coast Water Board by contacting the Central Coast Water Board at [centralcoast@waterboards.ca.gov](mailto:centralcoast@waterboards.ca.gov) or (805) 549-3147.

#### **8.6. Register of Interested Persons**

Any person interested in being placed on the mailing list for information regarding the WDRs and NPDES permit should contact the Central Coast Water Board, reference this facility, and provide a name, address, and phone number.

#### **8.7. Additional Information**

Requests for additional information or questions regarding this order should be directed to Leah Lemoine at (805) 549-3159 or [leah.lemoine@waterboards.ca.gov](mailto:leah.lemoine@waterboards.ca.gov) or Arwen Wyatt-Mair at (805)-542-4695 or [Arwen.Wyattmair@waterboards.ca.gov](mailto:Arwen.Wyattmair@waterboards.ca.gov).