

**CALIFORNIA REGIONAL WATER QUALITY CONTROL BOARD
COLORADO RIVER BASIN REGION**

73-720 Fred Waring Drive, Suite 100 Palm Desert, CA 92260
Phone: (760) 346-7491 • Fax: (760) 341-6820
http://www.waterboards.ca.gov/coloradoriver

**ORDER R7-2017-0016
NPDES CA0105023**

**WASTE DISCHARGE REQUIREMENTS
FOR SEELEY COUNTY WATER DISTRICT,
SEELEY COUNTY WASTEWATER TREATMENT PLANT**

The following Discharger is subject to waste discharge requirements (WDRs) set forth in this Order:

Table 1. Discharger Information

Discharger	Seeley County Water District
Name of Facility	Seeley County Wastewater Treatment Plant
Facility Address	1898 West Main Street Seeley, CA 92273 Imperial County

Table 2. Discharge Location

Discharge Point	Effluent Description	Discharge Point Latitude (North)	Discharge Point Longitude (West)	Receiving Water
001	Equivalent to secondary treated Wastewater	32°, 47', 45.9"	115°, 42', 0.2"	New River (via an unnamed tributary)

Table 3. Administrative Information

This Order was adopted on:	November 9, 2017
This Order shall become effective on:	November 9, 2017
This Order shall expire on:	September 30, 2022
The Discharger shall file a Report of Waste Discharge as an application for reissuance of WDRs in accordance with title 23, California Code of Regulations, and an application for reissuance of a National Pollutant Discharge Elimination System (NPDES) permit no later than:	April 3, 2022 , or as soon as possible if planned changes meet the Notice Requirement under 40 C.F.R. 122.41(l) (1).
The U.S. Environmental Protection Agency (U.S. EPA) and the California Regional Water Quality Control Board, Colorado River Basin Region classified this discharge as follows:	Minor

I, Jose Angel, Executive Officer, do hereby certify that this Order with all attachments is a full, true, and correct copy of the Order adopted by the California Regional Water Quality Control Board, Colorado River Basin Region, on **the date indicated above**.

Original Signed By

Jose L. Angel, P.E.
Executive Officer

Contents

I. Facility Information 3

II. Findings 3

III. Discharge Prohibitions 3

IV. Effluent Limitations and Discharge Specifications 4

 A. Effluent Limitations 4

 1. Final Effluent Limitations – Discharge Point 001 4

 2. Interim Effluent Limitations – Not Applicable 5

 B. Land Discharge Specifications – Not Applicable 5

 C. Recycling Specifications – Not Applicable 5

V. Receiving Water Limitations 5

 A. Surface Water Limitations 5

 B. Groundwater Limitations – Not Applicable 6

VI. Provisions 6

 A. Standard Provisions 6

 B. Monitoring and Reporting Program (MRP) Requirements 8

 C. Special Provisions 8

 1. Reopener Provisions 8

 2. Special Studies, Technical Reports and Additional Monitoring Requirements 8

 3. Best Management Practices and Pollution Prevention 9

 4. Construction, Operation and Maintenance Specifications 10

 5. Special Provisions for Publicly-Owned Treatment Works (POTWs) 12

 6. Other Special Provisions 12

 7. Compliance Schedules 12

VII. Compliance Determination 13

 A. General 13

 B. Multiple Sample Data 13

 C. Average Monthly Effluent Limitation (AMEL) 14

 D. Average Weekly Effluent Limitation (AWEL) 14

 E. Maximum Daily Effluent Limitation (MDEL) 14

 F. Instantaneous Minimum Effluent Limitation 15

 G. Instantaneous Maximum Effluent Limitation 15

 H. Effect of Conducting a Pollutant Minimization Program (PMP) 15

 I. Compliance with Single Constituent Effluent Limitations 15

 J. Mass and Concentration Limitation 15

 K. Percent Removal 15

 L. Chronic Toxicity Narrative Language 16

 M. Bacterial Effluent Limitations 16

 N. Total Dissolved Solids (TDS) 16

 O. Singles Operational Upset (SOU) 16

 P. Significant Figures 17

Tables

Table 1. Discharger Information 1

Table 2. Discharge Location 1

Table 3. Administrative Information 1

Table 4. Effluent Limitations 4

Table 5. Schedule of Remedial Measures 13

Attachments

No table of contents entries found.

I. FACILITY INFORMATION

Information describing the Seeley County Water District Wastewater Treatment Plant (Facility) is summarized in Table 1 and in sections I and II of the Fact Sheet (Attachment F). Section I of the Fact Sheet also includes information regarding the Facility's permit application.

II. FINDINGS

- A. Legal Authorities.** This Order serves as WDRs pursuant to article 4, chapter 4, division 7 of the California Water Code (commencing with section 13260). This Order is also issued pursuant to section 402 of the federal Clean Water Act (CWA) and implementing regulations adopted by the U.S. EPA and chapter 5.5, division 7 of the Water Code (commencing with section 13370). It shall serve as an NPDES permit for point source discharges from this Facility to surface waters.
- B. Background and Rationale for Requirements.** The Colorado River Basin Water Board developed the requirements in this Order based on information submitted as part of the application, through monitoring and reporting programs, and other available information. The Fact Sheet (Attachment F), which contains background information and rationale for the requirements in this Order, is hereby incorporated into and constitutes Findings for this Order. Attachments A through E and G are also incorporated into this Order.
- C. Provisions and Requirements Implementing State Law.** The provisions/requirements in IV.G, IV.C, and V.B of this Order are included to implement state law only. These provisions/requirements are not required or authorized under the federal CWA (33 U.S.C. § 1251 et seq.); consequently, violations of these provisions/requirements are not subject to the enforcement remedies that are available for NPDES violations.
- D. Notification of Interested Parties.** The Colorado River Basin Water Board has notified the Discharger and interested agencies and persons of its intent to prescribe WDRs for the discharge and has provided them with an opportunity to submit their written comments and recommendations. Details of the notification are provided in the Fact Sheet.
- E. Consideration of Public Comment.** The Colorado River Basin Water Board, in a public meeting, heard and considered all comments pertaining to the discharge. Details of the Public Hearing are provided in the Fact Sheet.

THEREFORE, IT IS HEREBY ORDERED that this Order supersedes Order R7-2012-0011, and, in order to meet the provisions contained in division 7 of the Water Code (commencing with section 13000) and regulations adopted thereunder, and the provisions of the CWA and regulations and guidelines adopted thereunder, the Discharger shall comply with the requirements in this Order. This action in no way prevents the Colorado River Basin Water Board from taking enforcement action for violations of the previous Order.

III. DISCHARGE PROHIBITIONS

- A.** The discharge of waste to land is prohibited unless authorized in a separate discharge permit.
- B.** Discharge of treated wastewater at a location or in a manner different from that described in this Order is prohibited.
- C.** The discharge of trash from the Facility to the New River (via an unnamed tributary) is prohibited.
- D.** The bypass or overflow of untreated wastewater or wastes to the New River (via an unnamed tributary) is prohibited, except as allowed under section I.G of Attachment D, Standard Provisions.

- E. The discharge of waste in excess of the design treatment or disposal capacity of the system is prohibited.
- F. The discharge of waste that causes degradation of any water supply is prohibited.
- G. The discharge of waste that causes a pollution or nuisance as defined in Section 13050, subdivisions (l) and (m), respectively, of the California Water Code is prohibited.

IV. EFFLUENT LIMITATIONS AND DISCHARGE SPECIFICATIONS

A. Effluent Limitations

1. Final Effluent Limitations – Discharge Point 001

The Discharger shall maintain compliance with the following effluent limitations at Discharge Point 001, with compliance measured at Monitoring Location EFF-001 as described in the Monitoring and Reporting Program (MRP), Attachment E:

Table 4. Effluent Limitations

Parameter	Units	Average Monthly	Average Weekly	Maximum Daily	Instantaneous Minimum	Instantaneous Maximum
Flow	MGD	0.25	---	---	---	---
pH	Standard Units	---	---	---	6.0	9.0
Biochemical Oxygen Demand (5-day @ 20°C; BOD ₅)	mg/L	45	65	---	---	---
Biochemical Oxygen Demand (5-day @ 20°C; BOD ₅)	lbs/day ¹	94	140	---	---	---
Suspended Solids, Total (TSS)	mg/L	45	65	---	---	---
Suspended Solids, Total (TSS)	lbs/day ¹	94	140	---	---	---
Oil and Grease, Total ²	mg/L	---	---	25	---	---
Oil and Grease, Total ²	lbs/day ¹	---	---	52	---	---
Copper, Total Recoverable	µg/L	25	---	50	---	---
Copper, Total Recoverable	lbs/day ¹	0.052	---	0.104	---	---
Mercury, Total Recoverable	µg/L	0.051	---	0.102	---	---
Mercury, Total Recoverable	lbs/day ¹	0.0001	---	0.0002	---	---
Cyanide, Free	µg/L	4.3	---	8.5	---	---
Cyanide, Free	lbs/day ¹	0.009	---	0.018	---	---
Bis (2-ethylhexyl) Phthalate	µg/L	5.9	---	12	---	---
Bis (2-ethylhexyl) Phthalate	lbs/day ¹	0.012	---	0.025	---	---

¹ The mass-based effluent limitations are based on a design capacity of 0.25 MGD

² Total oil and grease shall include the polar and non-polar fraction of oil and grease materials

- a. **Percent Removal:** The average monthly percent removal of biochemical oxygen demand (5-day at 20°C; BOD₅) shall not be less than 65 percent.
- b. **Toxicity:** There shall be no toxicity in the treatment plant effluent. Compliance with this objective will be determined by use of indicator organisms, analyses of species diversity, population density, growth anomalies, or toxicity tests of appropriate duration or other appropriate methods specified by the Colorado River Basin Water Board as set forth in section V of Attachment E, MRP.
- c. **Bacteria:** The bacterial density in the wastewater effluent discharged to the receiving water shall not exceed the following values, as measured by the following bacterial indicator:
 - a. ***E. coli*:** The geometric mean bacterial density (based on a minimum of not less than five samples equally spaced over a 30-day period) shall not exceed a Most Probable Number (MPN) of 126 per 100 milliliters, nor shall any sample exceed the maximum allowable bacterial density of a MPN of 400 per 100 milliliters.
 - b. **Enterococci.** The geometric mean bacterial density (based on a minimum of not less than five samples equally spaced over a 30-day period) shall not exceed a MPN of 33 per 100 milliliters, nor shall any sample exceed a MPN of 100 per 100 milliliters.
- d. **Total Dissolved Solids:** Discharges of wastes or wastewater shall not increase the total dissolved solids content of receiving waters, unless it can be demonstrated to the satisfaction of the Colorado River Basin Water Board that such an increase in TDS does not adversely affect beneficial uses of receiving waters.

2. Interim Effluent Limitations – Not Applicable

B. Land Discharge Specifications – Not Applicable

C. Recycling Specifications – Not Applicable

V. RECEIVING WATER LIMITATIONS

A. Surface Water Limitations

Receiving water limitations are based on water quality objectives contained in the Basin Plan and are a required part of this Order. The discharge from the Facility shall not cause or contribute to the following in the New River (via an unnamed tributary):

1. The concentration of dissolved oxygen in the receiving water to fall below 5.0 mg/L. When dissolved oxygen in the receiving water is already below 5.0 mg/L, the discharge shall not cause any further depression.
2. The presence of oil, grease, floating material (liquids, solids, foam and scum) or suspended material in amounts that create a nuisance or adversely affect beneficial uses.
3. The discharge of pesticides or combination of pesticides detectable in concentrations that adversely affects beneficial uses.
4. Discoloration in the receiving water that adversely affects beneficial uses.
5. The discharge of bio-stimulatory substances in concentrations that promote aquatic growths to the extent that such growths cause nuisance or adversely affect beneficial uses.
6. An increase of turbidity that adversely affects beneficial uses.

7. The normal ambient pH of the receiving water to fall below 6.0 or exceed 9.0 units.
8. Altering the natural receiving water temperature unless the Discharger can demonstrate to the satisfaction of the Colorado River Basin Water that the alternation in temperature does not adversely affect beneficial uses.
9. The deposition of material that causes nuisance or adversely affects beneficial uses.
10. The discharge of an individual chemical or combination of chemicals in concentrations that adversely affect beneficial uses.
11. Toxic pollutants to be present in the water column, sediments or biota in concentrations that adversely affect beneficial uses or that produce detrimental physiological responses in human, plant, animal, or aquatic life.
12. An increase in taste or odor-producing substances that adversely affect beneficial uses.
13. The concentration of TDS in New River to exceed an annual average concentration of 4,000 mg/l or a maximum daily concentration 4,500 mg/l.
14. The violation of any applicable water quality standard for receiving waters adopted by the Colorado River Basin Water Board or the State Water Resources Control Board (State Water Board) as required by the Federal CWA and regulations adopted thereunder. If more stringent applicable water quality standards are promulgated or approved pursuant to CWA section 303 or amendments thereto, the Colorado River Basin Water Board will revise and modify this Permit in accordance with such more stringent standard.

B. Groundwater Limitations – Not Applicable

VI. PROVISIONS

A. Standard Provisions

1. **Federal Standard Provisions.** The Discharger shall comply with all Standard Provisions included in Attachment D of this Order.
2. **Colorado River Basin Water Board Standard Provisions.** The Discharger shall comply with the following provisions. In the event that there is any conflict, duplication, or overlap between the federal standard provisions included in Attachment D and the Colorado River Basin Water Board's standard provisions, the more stringent provision shall apply:
 - a. The Facility shall be protected from any washout or erosion of wastes or covering material, and from any inundation, which could occur as a result of floods having a predicted frequency of once in 100 years.
 - b. The Discharger shall ensure that all site-operating personnel are familiar with the contents of this Order, and shall maintain a copy of this Order at the site.
 - c. The Discharger shall immediately notify the Office of Emergency Services by phone at (800) 852-7550 to report any noncompliance that may endanger human health or the environment as soon as: (1) the Discharger has knowledge of the discharge, (2) notification is possible, and (3) notification can be provided without substantially impeding cleanup or other emergency measures.

To carry out this objective, the following notification requirements are to be implemented:

- i. For any discharges of sewage that result in a discharge to a drainage channel or surface water, the Discharger shall, as soon as possible, but not later than two (2) hours after becoming aware of the discharge, notify the State Office of Emergency Services.

- ii. As soon as possible, follow the notification, reporting, monitoring, and recordkeeping requirements under WQ 2013-0058-EXEC for the Statewide Waste Discharge Requirements for Sanitary Sewer Systems. (http://www.waterboards.ca.gov/board_decisions/adopted_orders/water_quality/2013/wqo2013_0058exec.pdf).
- d. The Discharger shall provide a report to the Colorado River Basin Water Board upon determining that the treatment plant's monthly average flow rate for any month exceeds 80 percent of the design treatment or disposal capacity. The report should indicate what steps, if any the Discharger intends to take to provide for the expected wastewater treatment capacity necessary when the plant reaches design capacity.
- e. In the event of any changes in ownership or management of this operation, the Discharger shall notify the Colorado River Basin Water Board of such change in writing. This Discharger shall also notify the succeeding owner or operator by letter that the new owner or operator must apply for coverage under this Order prior to discharging. The Discharger shall forward a copy of this letter to the Colorado River Basin Water Board within 30 days.
- f. Prior to any modifications in this Facility, which would result in material change in the quality or, quantity of wastewater treated or discharged, or any material change in the location of discharge, the Discharger shall report all pertinent information in writing to the Colorado River Basin Water Board and if required by the Colorado River Basin Water Board obtain revised requirements before any modifications are implemented.
- g. This Order does not authorize violation of any federal, state, or local laws or regulations.
- h. Failure to comply with provisions or requirements of this Order, or violation of other applicable laws or regulations governing discharges from this Facility, may subject the Discharger to administrative or civil liabilities, criminal penalties, and/or other enforcement remedies to ensure compliance. Additionally, certain violations may subject the Discharger to civil or criminal enforcement from appropriate local, state, or federal law enforcement entities.
- i. In the event the Discharger does not comply or will be unable to comply for any reason, the Discharger shall notify the Colorado River Basin Water Board as follows:
 - i. Noncompliance with any prohibition, maximum daily, average weekly, average monthly, instantaneous maximum or instantaneous minimum, or receiving water limitation of this Order,
 - (a) The Discharger shall notify the Colorado River Basin Water Board by email to RB7-coloradoriver@waterboards.ca.gov within 24 hours of having knowledge of such noncompliance.
 - (b) The Discharger shall submit a written report within five days of noncompliance, unless the Colorado River Basin Water Board waives confirmation. The written report shall state the nature, time, duration, and cause of noncompliance, and shall describe the measures being taken to remedy the current noncompliance and, prevent recurrence including, where applicable, a schedule of implementation.
 - ii. All other forms of noncompliance

(a) The Discharger shall notify the Colorado River Basin Water Board at the time monitoring reports are submitted. The Discharger shall include a written report regarding noncompliance as described in VI.A.2.i.

- j. In accordance with Section 1211 of the California Water Code, the Discharger shall obtain approval from the State Water Board's Division of Water Rights prior to making any change in the point of discharge, place of use, or purpose of use of treated wastewater that results in a decrease of flow in any portion of a watercourse.

B. Monitoring and Reporting Program (MRP) Requirements

The Discharger shall comply with the MRP and future revisions thereto, in Attachment E of this Order. This MRP may be modified by the Executive Officer at any time during the term of this Order, and may include an increase in the number of parameters to be monitored, the frequency of the monitoring or the number and size of samples to be collected or minor clarifications on MRP requirements.

C. Special Provisions

1. Reopener Provisions

- a. **Standard Revisions.** This Order may be modified, rescinded and reissued, for cause. The filing of a request by the Discharger for an Order modification, rescission and reissuance, or a notification of planned changes or anticipated noncompliance does not stay any Order condition. Causes for modification include, but are not limited to, the promulgation of new regulations, modification of land application plans, or adoption of new regulations by the State Water Board or the Colorado River Basin Water Board, including revisions to the Basin Plan.
- b. **Pretreatment Program.** The Colorado River Basin Water Board may modify, or terminate and reissue, the NPDES permit if a discharger must implement a pretreatment program approved in accordance with the procedures in 40 CFR 403.11.
- c. **Chronic Toxicity.** In accordance with 40 C.F.R. parts 122 and 124, this permit may be modified to include effluent limitations or permit conditions to address chronic toxicity in the effluent or receiving waterbody, as a result of the discharge; or to implement new, revised, or newly interpreted water quality standards applicable to chronic toxicity. This Order may also be modified to address changes to U.S.EPA or State Water Board policies or guidance regarding the Whole Effluent Toxicity (WET) requirements or reporting requirements for WET testing.
- d. **303(d) Listed Pollutants.** If new or revised water quality objectives or Total Maximum Daily Loads (TMDLs) come into effect for the New River (discharge via an unnamed tributary), the effluent limitations in this Order may be modified as necessary to reflect any updated water quality objectives and TMDL wasteload allocations.
- e. **Reasonable Potential.** This Order may be modified, or revoked and reissued, if present or future investigations demonstrate that the Discharger is causing or contributing to excursions above any applicable water quality standard, or adversely impacting water quality and/or the beneficial uses of receiving waters.

2. Special Studies, Technical Reports and Additional Monitoring Requirements

a. Toxicity Reduction Evaluation (TRE) Plan

The Discharger has been updating the TRE Work Plan annually to the Colorado River Basin Water Board to comply with the requirements of Order No. R7-2012-

0011. The Discharger shall review and update the existing TRE Work Plan and submit it to the Colorado River Basin Water Board within 90 days of the effective date of this Order.

b. Translator Study

Should the Discharger wish to use a translator for metals and selenium other than the default U.S. EPA conversion factors listed in Tables 2 and 3 of the California Toxic Rule (CTR), the Discharger shall submit a written request to the Executive Officer. Otherwise, the U.S. EPA conversion factors shall remain the default standard used when calculating any water quality-based effluent limitations for selenium and metals. U.S. EPA has developed a guidance manual, EPA 823-B-96-007, June 1996, entitled, *The Metals Translator: Guidance for Calculating a Total Recoverable Permit Limit from a Dissolved Criterion*.

c. Total Dissolved Solids Study

The Colorado River Basin Water Board required the Discharger to conduct a study and evaluate what programs and actions the Discharger is implementing to reduce TDS discharges into the receiving water body. The Discharger submitted the TDS study, dated January 2012, on March 12, 2012. The Discharger indicated in its update report stating that the Discharger is in the process of beginning work on a Master Plan of its collection system to find and address areas where infiltration may be a concern for the levels of TDS. The Discharger shall continue to evaluate and implement actions to reduce TDS discharges into the receiving water body. The Discharger shall provide an annual update regarding the progress made on identification of areas where infiltration may cause changes in TDS level, and submit a summary report on activities to reduce TDS level and result of the activities to the Colorado River Basin Water Board prior to the filing date for renewal application.

3. Best Management Practices and Pollution Prevention

a. Pollutant Minimization Program

The Discharger shall develop and conduct a Pollutant Minimization Program (PMP) as further described below when there is evidence (e.g., sample results reported as "Detected, but Not Quantified" (DNQ) when the effluent limitation is less than the Method Detection Limit (MDL), sample results from analytical methods more sensitive than those methods required by this Order, presence of whole effluent toxicity, health advisories for fish consumption, or results of benthic or aquatic organism tissue sampling) that a priority pollutant is present in the effluent above an effluent limitation and either of the following is true:

- i. A sample result is reported as DNQ and the effluent limitation is less than the Reporting Level (RL); or
- ii. A sample result is reported as Not Detected (ND) and the effluent limitation is less than the MDL, using definitions described in Attachment A and reporting protocols described in MRP section X.B.5.

The PMP shall include, but not be limited to, the following actions and submittals acceptable to the Colorado River Basin Water Board:

- i. An annual review and semi-annual monitoring of potential sources of the reportable priority pollutant(s), which may include fish tissue monitoring and other bio-uptake sampling;
- ii. Quarterly monitoring for the reportable priority pollutant(s) in the influent to the wastewater treatment system;

- iii. Submittal of a control strategy designed to proceed toward the goal of maintaining concentrations of the reportable priority pollutant(s) in the effluent at or below the effluent limitation;
- iv. Implementation of appropriate cost-effective control measures for the reportable priority pollutant(s), consistent with the control strategy; and
- v. An annual status report that shall be sent to the Colorado River Basin Water Board including:
 - (a) All PMP monitoring results for the previous year;
 - (b) A list of potential sources of the reportable priority pollutant(s);
 - (c) A summary of all actions undertaken pursuant to the control strategy; and
 - (d) A description of actions to be taken in the following year.

b. Storm Water

Enrollment under Water Quality Order 2014-0057-DWQ, NPDES General Permit CAS000001, for Discharges of Storm Water Associated with Industrial Activities is required for facilities used in the storage, treatment, recycling, and reclamation of municipal or domestic sewage, including land dedicated to the disposal of sewage sludge that are located within the confines of the Facility with a design flow of 1 MGD or more or are required to have an approved pretreatment program under 40 C.F.R. part 403.

The Discharger is not required to submit a Notice of Intent to obtain coverage under the Water Quality Order 2014-0057-DWQ, NPDES General Permit CAS000001 for Discharges of Storm Water Associated with Industrial Activities because the Facility design flow is less than 1 MGD, no pretreatment program is required and the Regional Water Board has not designated this facility to enroll.

4. Construction, Operation and Maintenance Specifications

a. Treatment Ponds (Primary Oxidation Pond and Clemson Ponds/Reaction Basins)

- i. A minimum depth of freeboard of two (2) feet shall be maintained at all times in the primary oxidation ponds, as measured from the top of earthen berm to water surface. A minimum depth of freeboard of one (1) foot shall be maintained at all times in the Clemson ponds/reaction basins.
- ii. Treatment ponds shall be managed to control breeding of mosquitoes, in particular:
 - (a) An erosion control program should assure that small coves and irregularities are not created around the perimeter of the water surface.
 - (b) Weeds shall be minimized through control of water depth, harvesting, or herbicides.
 - (c) Dead algae, vegetation, and debris shall not accumulate on the water surface.
- iii. The treatment ponds shall be maintained so they will be kept in aerobic conditions.
- iv. On-site wastes shall be strictly confined to the lands specifically designated for the disposal operation.

- v. Public contact with undischarged wastewater shall be precluded through such means as fences, signs, and other acceptable alternatives.
- vi. Objectionable odors originating at this facility shall not be perceivable beyond the limits of the wastewater treatment and disposal area.
- vii. Ponds shall have sufficient capacity to accommodate allowable wastewater flow, design seasonal precipitation, ancillary inflow, and infiltration. Design seasonal precipitation shall be based on total annual precipitation using a return period of 100 years, distributed monthly in accordance with historical rainfall patterns.

b. Facility and Treatment Operation

- i. The Discharger shall, at all times, properly operate and maintain all systems and components of collection, treatment and control which are installed or used by the Discharger to achieve compliance with the conditions of this Order. Proper operation and maintenance includes effective performance, adequate process controls and appropriate quality assurance procedures. This provision requires the operation of backup or auxiliary facilities or similar systems when necessary to achieve compliance with the conditions of this Order. All systems, both in-service and reserved, shall be inspected and maintained on a regular basis. Records shall be kept of the inspection results and maintenance performed and made available to the Colorado River Basin Water Board upon demand.
- ii. Temporary power or adequate storage capacity shall be provided to maintain the plant in operation in the event of commercial power failure.
- iii. Adequate measures shall be taken to assure that unauthorized persons are effectively excluded from contact with the wastewater disposal facilities.
- iv. The Discharger shall implement acceptable operation and maintenance at the Facility so that needed repair and maintenance are performed in a timely manner.

c. Anti-degradation Analysis and Engineering Report for Significant Expansion

If discharges from a new or an existing facility will undergo significant expansion¹ within the next 5 years, the Discharger shall submit an anti-degradation analysis report to the Colorado River Basin Water Board's Executive Officer for review and approval. The anti-degradation analysis report must be developed in accordance with the State Anti-degradation Policy (Resolution No. 68-16) and the Federal Anti-degradation Policy (40 C.F.R. section 131.12). The report shall consider any potential impacts the discharge may have on the receiving water quality and the receiving water body's designated beneficial uses, as defined in the Basin Plan. In addition, the report shall include information on the quality of the proposed discharge and evaluate the potential impacts of the discharge; provide CEQA documentation for the proposed project; a summary that identifies whether the proposed discharge will result in degradation of water quality. In addition, the report shall include as an attachment any CEQA documentation for the proposed project.

d. Spill Response Plan

¹ Significant expansion means an increase in permitted design flow of greater than 10% or changes to the Facility and/or changes in the nature and character of the discharge that may result in an incremental increase in pollutants discharged to the receiving water body of greater than 10% of the permitted discharge rates. When a new or existing facility undergoes significant expansion, the discharge shall be evaluated on a pollutant by pollutant basis.

The Discharger developed and submitted to the Colorado River Basin Water Board a Spill Response Plan (SRP) to comply with the requirements of Order R7-2012-0011. The Discharger shall review and update the existing SRP on an annual basis. The Discharger shall submit the updated SRP with each Annual Report. The Discharger shall make the SRP available for staff review during Colorado River Basin Water Board inspections. The Discharger shall ensure that all operating personnel are familiar with the contents of the SRP. A copy of the SRP shall be maintained at the site and shall be accessible to all operating personnel.

5. Special Provisions for Publicly-Owned Treatment Works (POTWs)

a. Pretreatment

- i. In the event that (i) the Facility has a treatment capacity greater than 5 MGD and Industrial Users [40 C.F.R. § 403.3(j)] are discharging pollutants which Pass Through [40 C.F.R. § 403.3(p)] or Interfere [40 C.F.R. § 403.3(k)] with the operation of the wastewater treatment facility or are otherwise subject to National Pretreatment Standards [40 C.F.R. § 403.3(l)], (ii), Section 2233 of title 23 of the CCRs requires the Facility to have and enforce an adequate pretreatment program, or (iii) the Colorado River Basin Water Board or its Executive Officer determines that other circumstances warrant in order to prevent Interference with the wastewater treatment facility or Pass Through, then:
 - (a) The Discharger shall be responsible for the compliance with all pretreatment requirements contained in 40 C.F.R part 403, and shall be subject to enforcement actions, penalties, and other remedies by the U.S. EPA, or the Colorado River Basin Water Board, as provided in the CWA.
 - (b) Within one year of notification that a pretreatment program is required, the Discharger shall submit a formal Pretreatment Program for approval by the Colorado River Basin Water Board.
 - (c) The Discharger must seek approval of its Pretreatment Program from the Colorado River Basin Water Board in accordance with the procedures in 40 CFR 403.11.

b. Collection Systems

- i. **Collection System.** The Discharger is subject to the requirements of, and must comply with, State Water Board Order 2006-0003-DWQ, Statewide General Waste Discharge Requirements for Sanitary Sewer Systems as amended by State Water Board Order WQ 2013-0058-EXEC and any subsequent order. The Sanitary Sewer Order requires public agencies that own or operate sanitary sewer systems to develop and implement sewer system management plans and report all SSOs to the State Water Board's online SSO database. The WDID number is 7SSO11515.

6. Other Special Provisions

- a. The Discharger may be required to submit technical reports as directed by the Colorado River Basin Water Board's Executive Officer.
- b. The Discharger shall exclude from the wastewater treatment plant any liquid or solid waste that could adversely affect the plant operation or effluent quality. The excluded liquid or solid waste shall be disposed of in accordance with applicable regulations.

7. Compliance Schedules

- a. **Deliverables and Due Dates.** The Discharger shall comply with the following schedule of Remedial Measures as summarized in Table 5:

Table 5. Schedule of Remedial Measures

Activity	Description	Due Date
Spill Response Plan VI.C.4.d.	The Discharger shall update the Spill Response Plan (SRP). The SRP shall be updated annually and available for inspection.	Annual updates submitted yearly to Colorado River Basin Water Board with Annual Report.
Toxicity Reduction Evaluation (TRE) Workplan VI.C.2.a.	The Discharger shall review and update the existing TRE Work Plan, and submit it to the Colorado River Basin Water Board. The Work Plan should include a description of steps the Discharger will take in the event toxicity is detected.	Within 90 days of the effective date of this Order.
TDS Study VI.C.2.c	Annual update on status of its programs and activities to reduce TDS discharges into the receiving water body.	Annual updates submitted yearly to Colorado River Basin Water Board with Annual Report, and submit a final summary report with renewal application.
Anti-degradation Analysis and Engineering Report for Significant Expansion VI.C.4.c	Discharges from a new or an existing facility that will undergo significant expansion within the next 5 years shall be required to submit an anti-degradation analysis report to the Colorado River Basin Water Board's Executive Officer for review and approval.	Prior to start of construction of significant changes to the treatment plant and to be submitted to Colorado River Basin Water Board's Executive Officer.
Pollutant Minimization Program (PMP) for Priority Pollutants, VI.C.3.a	The Discharger shall develop a PMP when there is evidence a priority pollutant is present in the effluent above an effluent limitation and either the sample result is reported as DNQ and the effluent limitation is less than the RL; or a sample result is reported as ND and the effluent limitation is less than the MDL.	Upon evidence of priority pollutant in effluent and to be submitted to Colorado River Basin Water Board.

VII. COMPLIANCE DETERMINATION

Compliance with the effluent limitations contained in section IV of this Order will be determined as specified below:

A. General.

Compliance with effluent limitations for priority pollutants shall be determined using sample reporting protocols defined in the MRP and VII. of this Order. For purposes of reporting and administrative enforcement by the Regional and State Water Boards, the Discharger shall be deemed out of compliance with effluent limitations if the concentration of the priority pollutant in the monitoring sample is greater than the effluent limitation and greater than or equal to the Reporting Level (RL).

B. Multiple Sample Data.

When determining compliance with an Average Monthly Effluent Limitation (AMEL), Average Weekly Effluent Limitation (AWEL) and Maximum Daily Effluent Limitation (MDEL) for pollutants and more than one sample result is available, the Discharger shall compute the arithmetic mean unless the data set contains one or more reported determinations of "Detected, but Not Quantified" (DNQ) or "Not Detected" (ND). In those cases, the Discharger shall compute the median in place of the arithmetic mean in accordance with the following procedure:

1. The data set shall be ranked from low to high, ranking the reported ND determinations lowest, DNQ determinations next, followed by quantified values (if any). The order of the individual ND or DNQ determinations is unimportant.
2. The median value of the data set shall be determined. If the data set has an odd number of data points, then the median is the middle value. If the data set has an even number of data points, then the median is the average of the two values around the middle unless one or both of the points are ND or DNQ, in which case the median value shall be the lower of the two data points where DNQ is lower than a value and ND is lower than DNQ.

C. Average Monthly Effluent Limitation (AMEL).

If the average (or when applicable, the median determined by subsection B above for multiple sample data) of daily discharges over a calendar month exceeds the AMEL for a given parameter, this will represent a single violation, though the Discharger will be considered out of compliance for each day of that month for that parameter (e.g., resulting in 31 days of non-compliance in a 31-day month), where no data is available to show compliance. If only a single sample is taken during the calendar month and the analytical result for that sample exceeds the AMEL, the Discharger will be considered out of compliance for that calendar month. The Discharger will only be considered out of compliance for days when the discharge occurs. For any one calendar month during which no sample (daily discharge) is taken, no compliance determination can be made for that calendar month.

D. Average Weekly Effluent Limitation (AWEL).

If the average (or when applicable, the median determined by subsection B above for multiple sample data) of daily discharges over a calendar week exceeds the AWEL for a given parameter, this will represent a single violation, though the Discharger will be considered out of compliance for each day of that week for that parameter, resulting in 7 days of non-compliance where no data is available to show compliance. If only a single sample is taken during the calendar week and the analytical result for that sample exceeds the AWEL, the Discharger will be considered out of compliance for that calendar week. The Discharger will only be considered out of compliance for days when the discharge occurs. For any one calendar week during which no sample (daily discharge) is taken, no compliance determination can be made for that calendar week. The analytical result for comparison of the AWEL shall be reported on the ending Saturday of the calendar weeks within the reporting month.

For the beginning of the month, if samples are collected during the calendar week in the previous month and the ending Saturday is in the Calendar Month of reporting, the Discharger shall report the results of the samples collected in the previous week and report the analytical result on the ending Saturday of the Calendar Month of reporting.

For the end of the month, if the ending Saturday falls on the following month no analytical result for comparison of the AWEL is required, however, any samples collected during the last calendar week shall be reported.

E. Maximum Daily Effluent Limitation (MDEL).

If a daily discharge (or when applicable, the median determined by subsection B above for multiple sample data of a daily discharge) exceeds the MDEL for a given parameter, the Discharger will be considered out of compliance for that parameter for that 1 day only within the reporting period. For any 1 day during which no sample is taken, no compliance determination can be made for that day.

For multiple samples collected in a calendar day, the maximum daily value is the average of the samples collected in a calendar day, or when applicable, the median as determined by subsection B, above.

F. Instantaneous Minimum Effluent Limitation.

If the analytical result of a single grab sample is lower than the instantaneous minimum effluent limitation for a parameter, the Discharger will be considered out of compliance for that parameter for that single sample. Non-compliance for each sample will be considered separately (e.g., the results of two grab samples taken within a calendar day that both are lower than the instantaneous minimum effluent limitation would result in two instances of non-compliance with the instantaneous minimum effluent limitation). There are no mass limits for instantaneous minimum effluent limitations.

G. Instantaneous Maximum Effluent Limitation.

If the analytical result of a single grab sample is higher than the instantaneous maximum effluent limitation for a parameter, the Discharger will be considered out of compliance for that parameter for that single sample. Non-compliance for each sample will be considered separately (e.g., the results of two grab samples taken within a calendar day that both exceed the instantaneous maximum effluent limitation would result in two instances of non-compliance with the instantaneous maximum effluent limitation). There are no mass limits for instantaneous maximum effluent limitations.

H. Effect of Conducting a Pollutant Minimization Program (PMP).

If a sample result for a priority pollutant, or the arithmetic mean or median of multiple sample results is below the RL, and there is evidence that the priority pollutant is present in the effluent above an effluent limitation and the Discharger conducts a PMP for the priority pollutant (as described in Provision VI.C.3.a.), the Discharger shall not be deemed out of compliance.

I. Compliance with Single Constituent Effluent Limitations.

Dischargers shall be deemed out of compliance with an effluent limitation if the concentration of a pollutant in the monitoring sample is greater than the effluent limitation and greater than or equal to the reported Minimum Level (ML).

J. Mass and Concentration Limitation

Compliance with mass and concentration effluent limitations for the same parameter shall be determined separately with their respective limitations. When the concentration of a constituent in an effluent sample is determined to be ND or DNQ, the corresponding mass emission rate (MER) determined from that sample concentration shall also be reported as ND or DNQ.

K. Percent Removal

Compliance with the secondary treatment standard for monthly average percent removal of biochemical oxygen demand and total suspended solids, pursuant to 40 C.F.R. part 133, shall be determined separately for each wastewater treatment facility discharging through an outfall. For each wastewater treatment facility, the monthly average percent removal is the average of the calculated daily discharge percent removals only for days on which the constituent concentrations is monitored in both the influent and effluent of the wastewater treatment facility at locations specified in the MRP (Attachment E) within a calendar month.

The percent removal for each day (Daily Percent Removal) shall be calculated according to the following equation:

$$\text{Daily Percent Removal} = \frac{(\text{Daily Influent Concentration} - \text{Daily Effluent Concentration})}{\text{Daily Influent Concentration}} * 100$$

The percent removal for the month (Monthly Percent Removal) shall be calculated according to the following equation:

$$\text{Monthly Percent Removal} = \frac{(\text{Sum of the Daily Percent Removal})}{\text{Number of Daily Percent Removal Values}}$$

L. Chronic Toxicity Narrative Language.

Reasonable potential for toxicity for this discharge has not been determined, hence effluent chronic toxicity limit based on WET tests do not exist. However, compliance with narrative effluent limitations established in the Order comprises the determination of “Pass” or “Fail” from a chronic toxicity test using the Test of Significant Toxicity (TST) statistical t-test approach described in *National Pollutant Discharge Elimination System Test of Significant Toxicity Implementation Document* (EPA 833-R-10-003, 2010). The Discharger must report either “Pass” or “Fail” and the Percent Effect as required in the Monitoring and Reporting Program, section V. If a result is reported as “Fail”, the Discharger must follow the requirements in MRP, section V.A, Chronic Toxicity Testing, to initiate an accelerated monitoring schedule or conduct a TRE.

M. Bacterial Effluent Limitations.

Compliance with the bacterial effluent limitations established in section IV.A.5.a of this Order shall be determined as follows:

1. If the calculated geometric mean bacterial concentrations for Enterococci, *E. coli* or log mean for fecal Coliform exceed the 30-day geometric mean (or log mean for fecal coliform) effluent limitations summarized in the Effluent Limitations and Discharge Requirements section IV.A.1.c of this Order or more than ten percent of the bacterial concentrations for fecal coliform exceed 400 MPN per 100 milliliters, this will represent a single violation of the water quality-based effluent limitation for bacteria and the Discharger will be considered out of compliance for the month in which the samples were collected.
2. If the bacterial concentrations for Enterococci, *E. coli* or fecal Coliform exceed the maximum bacterial densities summarized in the Effluent Limitations and Discharge Requirements section IV.A.1.c of this Order, this will represent a single violation of the water quality-based effluent limitation for bacteria and the Discharger will be considered out of compliance for the day in which the sample(s) were collected.

N. Total Dissolved Solids (TDS)

Compliance with the narrative TDS effluent limitation shall be determined based on the receiving water TDS concentration. If the TDS concentration in effluent exceeds the highest TDS concentration in receiving water, New River (via an unnamed tributary), regardless of upstream or downstream of the receiving water, the Discharger will be considered out of compliance for that Quarter, unless the Discharger can demonstrate the increase did not adversely affect beneficial uses. The receiving water data used to determine compliance should be the sample collected within the same quarterly monitoring period. At all times, the TDS concentration in the effluent shall not cause the receiving water to exceed an annual average concentration of 4,000 mg/l or a maximum daily concentration of 4,500 mg/l.

O. Singles Operational Upset (SOU)

A Single Operational Upset¹ (SOU) that leads to simultaneous violations of more than one pollutant parameter shall be treated as a single violation. For the purposes of CWC sections

¹ Section 13385(f) is the same as Clean Water Act section 309(c)(5) (33 U.S.C. section 1319(c)(5)), and must be interpreted consistent with federal law. U.S. EPA defines “single operational upset” as “an exceptional incident which causes simultaneous, unintentional, unknowing (not the result of a knowing act or omission), temporary noncompliance with more

(h) and (j), an SOU in a wastewater treatment unit that treats wastewater using a biological treatment process shall be treated as a single violation, even if the operational upset results in violations of more than one effluent limitation and the violations continue for a period of more than one day, if all the criteria at Water Code sections 13385(f)(2)(A)(i) and (ii) apply. (Water Code section 13385(f)(2)(A).).

Water Code section 13385(f)(2)(A) only applies to violations that occur during a period for which the Regional Water Board has determined that violations are unavoidable, but in no case may that period exceed 30 days. (Water Code section 13385(f)(2)(B).). The discharger has the burden of demonstrating a single operational upset occurred. A finding that a single operational upset has occurred is not a defense to liability, but may affect the number of violations.

P. Significant Figures

The Discharger shall report monitoring and calculation results with regard to significant figures consistent with tabulated values in Table 4 (Effluent Limitations).

than one CWA effluent discharge pollutant parameter. Single operational upset does not include... noncompliance to the extent caused by improperly designed or inadequate treatment facilities" ("Issuance of Guidance Interpreting Single Operational Upset" Memorandum from the Associate Enforcement Counsel, Water Division, U.S.EPA, September 27, 1989.). The EPA Guidance further defines an "exceptional" incident as a "non-routine malfunctioning of an otherwise generally compliant facility."

ATTACHMENT A – DEFINITIONS

Acute Toxicity Test

Acute toxicity test is a test to determine the concentration of effluent or ambient waters that causes an adverse effect (usually mortality) on a group of test organisms during a short-term exposure (e.g., 24, 48, or 96 hours). Acute toxicity is determined using statistical procedures (e.g., point estimates or a t-test).

Ambient Toxicity

Ambient toxicity is measured by a toxicity test on a sample collected from a receiving waterbody.

Annual Average Effluent Limitation

The highest allowable average of monthly discharges over a calendar year, calculated as the sum of all monthly discharges measured during a calendar year divided by the number of monthly discharges measured during that year.

Arithmetic Mean (μ)

Also called the average, is the sum of measured values divided by the number of samples. For ambient water concentrations, the arithmetic mean is calculated as follows:

$$\text{Arithmetic mean} = \mu = \Sigma x / n \quad \text{where: } \Sigma x \text{ is the sum of the measured ambient water concentrations, and } n \text{ is the number of samples.}$$

Average Monthly Effluent Limitation (AMEL)

The highest allowable average of daily discharges over a calendar month, calculated as the sum of all daily discharges measured during a calendar month divided by the number of daily discharges measured during that month.

For the AMEL concentration limit, it is the sum of the measured sample values divided by the number of samples for the month.

For the AMEL mass loading limit, it is the sum of the product of the flow rate (MGD) x measured sample value (mg/L) x 8.34 divided by the number of samples for the month.

Average Weekly Effluent Limitation (AWEL)

The highest allowable average of daily discharges over a calendar week (Sunday through Saturday), calculated as the sum of all daily discharges measured during a calendar week divided by the number of daily discharges measured during that week.

Best Management Practices (BMPs)

BMPs are methods, measures, or practices designed and selected to reduce or eliminate the discharge of pollutants to surface waters from point and non-point discharges including storm water. BMPs include structural and non-structural controls, and operation and maintenance procedures, which can be applied before, during, and/or after pollution producing activities.

Bioaccumulative

Those substances taken up by an organism from its surrounding medium through gill membranes, epithelial tissue, or from food and subsequently concentrated and retained in the body of the organism.

Biosolids

Biosolids refer to non-hazardous sewage sludge as defined in 40 C.F.R. section 503.9.

Carcinogenic

Pollutants are substances that are known to cause cancer in living organisms.

Chronic Toxicity Tests

Chronic toxicity tests measure the sub-lethal effects of a discharge (e.g. reduced growth or reproduction). Certain chronic toxicity tests include an additional measurement of lethality.

Coefficient of Variation (CV)

CV is a measure of the data variability and is calculated as the estimated standard deviation divided by the arithmetic mean of the observed values.

Criteria Continuous Concentration (CCC)

Criteria Continuous Concentration equals the highest concentration of a pollutant to which aquatic life can be exposed for an extended period of time (e.g., 4 days) without deleterious effects.

Criteria Maximum Concentration (CMC)

Criteria Maximum Concentration equals the highest concentration of a pollutant to which aquatic life can be exposed for a short period of time (e.g., 1 hour) without deleterious effects.

Daily Discharge

Daily Discharge is defined as either: (1) the total mass of the constituent discharged over the calendar day (12:00 am through 11:59 pm) or any 24-hour period that reasonably represents a calendar day for purposes of sampling (as specified in the permit), for a constituent with limitations expressed in units of mass or; (2) the unweighted arithmetic mean measurement of the constituent over the day for a constituent with limitations expressed in other units of measurement (e.g., concentration).

The daily discharge may be determined by the analytical results of a composite sample taken over the course of one day (a calendar day or other 24-hour period defined as a day) or by the arithmetic mean of analytical results from one or more grab samples taken over the course of the day.

For composite sampling, if 1 day is defined as a 24-hour period other than a calendar day, the analytical result for the 24-hour period will be considered as the result for the calendar day in which the 24-hour period ends.

Detected, but Not Quantified (DNQ)

DNQ are those sample results less than the RL, but greater than or equal to the laboratory's MDL. Sample results reported as DNQ are estimated concentrations.

Dilution Credit

Dilution Credit is the amount of dilution granted to a discharge in the calculation of a water quality-based effluent limitation, based on the allowance of a specified mixing zone. It is calculated from the dilution ratio or determined through conducting a mixing zone study or modeling of the discharge and receiving water.

Domestic Sewage

Domestic Sewage is waste and wastewater from humans or household operations that is discharged to or otherwise enters a treatment works.

Effect Concentration (EC)

Effect concentration is a point estimate of the toxicant concentration that would cause an observable adverse effect (e.g., mortality, fertilization). EC25 is a point estimate of the toxicant concentration that would cause observable 25% adverse effect as compared to the control test organisms.

Effluent Concentration Allowance (ECA)

ECA is a value derived from the water quality criterion/objective, dilution credit, and ambient background concentration that is used, in conjunction with the coefficient of variation for the effluent monitoring data, to calculate a long-term average (LTA) discharge concentration. The ECA has the same meaning as waste load allocation (WLA) as used in U.S. EPA guidance (Technical Support Document For Water Quality-based Toxics Control, March 1991, second printing, EPA/505/2-90-001).

Enclosed Bays

Enclosed Bays means indentations along the coast that enclose an area of oceanic water within distinct headlands or harbor works. Enclosed bays include all bays where the narrowest distance between the headlands or outermost harbor works is less than 75 percent of the greatest dimension of the enclosed portion of the bay. Enclosed bays include, but are not limited to, Humboldt Bay, Bodega Harbor, Tomales Bay, Drake's Estero, San Francisco Bay, Morro Bay, Los Angeles-Long Beach Harbor, Upper and Lower Newport Bay, Mission Bay, and San Diego Bay. Enclosed bays do not include inland surface waters or ocean waters.

Estimated Chemical Concentration

The estimated chemical concentration that results from the confirmed detection of the substance by the analytical method below the ML value.

Estuaries

Estuaries means waters, including coastal lagoons, located at the mouths of streams that serve as areas of mixing for fresh and ocean waters. Coastal lagoons and mouths of streams that are temporarily separated from the ocean by sandbars shall be considered estuaries. Estuarine waters shall be considered to extend from a bay or the open ocean to a point upstream where there is no significant mixing of fresh water and seawater. Estuarine waters included, but are not limited to, the Sacramento-San Joaquin Delta, as defined in Water Code section 12220, Suisun Bay, Carquinez Strait downstream to the Carquinez Bridge, and appropriate areas of the Smith, Mad, Eel, Noyo, Russian, Klamath, San Diego, and Otay rivers. Estuaries do not include inland surface waters or ocean waters.

Existing Discharger

Any Discharger that is not a new Discharger. An existing Discharger includes an "increasing Discharger" (i.e., an existing facility with treatment systems in place from its current discharge that is or will be expanding, upgrading, or modifying its existing permitted discharge after the effective date of the State Implementation Policy).

Geometric Mean

Geometric mean, is a measure of the central tendency of a data set that minimizes the effects of extreme values. The geometric mean used for determining compliance with bacterial standards is calculated with the following equation:

Geometric Mean = $(C_1 \times C_2 \times \dots \times C_n)^{1/n}$ where n = the number of days samples were collected during the period, and C = the concentration of bacteria (CFU*/100 mL) found on each day of sampling.

*Effluent limitations for bacterial density are expressed in units of a Most Probable Number per 100 milliliters (MPN/100 ml). This calculation of geometric mean is also applicable and shall be used to determine compliance with bacterial effluent limitations.

Group I Pollutants

The list of pollutants is based on Appendix A to 40 C.F.R § 123.45. The State Water Board enforcement policy located at

http://www.waterboards.ca.gov/water_issues/programs/enforcement/docs/enf_policy_final111709.pdf provides the list in Appendix C: Group 1 Pollutants.

Group 2 Pollutants

The list of pollutants is based on Appendix A to 40 C.F.R § 123.45. The State Water Board enforcement policy located at

http://www.waterboards.ca.gov/water_issues/programs/enforcement/docs/enf_policy_final111709.pdf provides the list in Appendix D: Group 2 Pollutants.

Hypothesis Testing

Hypothesis testing is a statistical approach (e.g., Dunnett's procedure) for determining whether a test concentration is statistically different from the control. Endpoints determined from hypothesis testing are no observed effect concentration (NOEC) and lowest observed effect concentration (LOEC).

Incompletely Mixed Discharge

A discharge that contributes to a condition that does not meet the meaning of a completely-mixed discharge condition.

Infeasible

Infeasible means not capable of being accomplished in a successful manner within a reasonable period of time, taking into account economic, environmental, legal, social, and technological factors.

Inhibition Concentration

Inhibition concentration is a point estimate of the toxicant concentration that would cause a given, percent reduction in a non-lethal biological measurement (e.g., reproduction or growth), calculated from a continuous model (i.e., Interpolation Method). For example, IC25 is a point estimate of the toxicant concentration that would cause a 25 percent reduction in a non-lethal biological measurement.

Inland Surface Waters

All surface waters of the state that do not include the ocean, enclosed bays, or estuaries.

Instantaneous Maximum Effluent Limitation

The highest allowable value for any single grab sample or aliquot (i.e., each grab sample or aliquot is independently compared to the instantaneous maximum limitation).

Instantaneous Minimum Effluent Limitation

The lowest allowable value for any single grab sample or aliquot (i.e., each grab sample or aliquot is independently compared to the instantaneous minimum limitation).

In-Stream Waste Concentration

In-stream waste concentration (IWC) is the concentration of a toxicant or effluent in the receiving water after mixing. The IWC is the inverse of the dilution factor. It is sometimes referred to as the receiving water concentration (RWC)

LC50

LC50 (lethal concentration, 50%) is the toxicant or effluent concentration that would cause death to 50 percent of the test organisms.

Load Allocation

The portion of a receiving water's total maximum daily load that is allocated to one of its non-point sources of pollution or to natural background sources.

Lowest Observed Effect Concentration

Lowest observed effect concentration (LOEC) is the lowest concentration of an effluent or toxicant that results in statistically significant adverse effects on the test organisms (i.e., where the values for the observed endpoints are statistically different from the control).

Maximum Daily Effluent Limitation (MDEL)

The highest allowable daily discharge of a pollutant, over a calendar day (or 24-hour period). For pollutants with limitations expressed in units of mass, the daily discharge is calculated as the total mass of the pollutant discharged over the day. For pollutants with limitations expressed in other units of measurement, the daily discharge is calculated as the arithmetic mean measurement of the pollutant over the day.

Median

The middle measurement in a set of data. The median of a set of data is found by first arranging the measurements in order of magnitude (either increasing or decreasing order). If the number of measurements (n) is odd, then the median = $X_{(n+1)/2}$. If n is even, then the median = $(X_{n/2} + X_{(n/2)+1})/2$ (i.e., the midpoint between the n/2 and n/2+1).

Method Detection Limit (MDL)

MDL is the minimum concentration of a substance that can be measured and reported with 99 percent confidence that the analyte concentration is greater than zero, as defined in 40 C.F.R. part 136, Attachment B, revised as of May 18, 2012.

Minimum Level (ML)

ML is the concentration at which the entire analytical system must give a recognizable signal and acceptable calibration point. The ML is the concentration in a sample that is equivalent to the concentration of the lowest calibration standard analyzed by a specific analytical procedure, assuming that all the method specified sample weights, volumes, and processing steps have been followed.

Minimum Significant Difference (MSD)

Minimum significant difference is the magnitude of difference from control where the null hypothesis is rejected in a statistical test comparing a treatment with a control. MSD is based on the number of replicates, control performance, and power of the test.

Mixing Zone

The Colorado River Basin Water Board does not have a mixing zone policy in the Basin Plan. Therefore, in order for a mixing zone to be allowed in the Colorado River Basin Region, it would be only pursuant to a State policy. The State Implementation Policy (SIP) allows a mixing zone for priority pollutants and toxicity. Accordingly, a mixing zone applies to the Colorado River Basin Region under this State policy.

The SIP requires a mixing zone analysis be completed before any dilution credit is granted. Following completion of the mixing zone study, the Colorado River Basin Water Board must reconsider the receiving water limitations to ensure that they are as stringent as necessary to fully protect the receiving water.

Municipality

Municipality means a city, town, borough, county, parish, district, association, or other public body created by or under State law and having jurisdiction over disposal of sewage, industrial wastes, or other wastes, or an Indian tribe or an authorized Indian tribal organization, or a designated and approved management agency under section 208 of CWA.

New Discharger

New Discharger includes any building, structure, facility, or installation from which there is, or may be, a discharge of pollutants, the construction of which commenced after the effective date of the State Implementation Policy.

No Observed Effect Concentration (NOEC)

No observed effect concentration is the highest tested concentration of an effluent or toxicant that causes no observable adverse effect on the test organisms (i.e., the highest concentration of toxicant at which the values for the observed responses are not statistically different from the control).

Not Detected (ND)

Sample results which are less than the laboratory’s MDL.

Objectionable Bottom Deposits

Objectionable Bottom Deposits are an accumulation of materials or substances on or near the bottom of a water body, which creates conditions that adversely impact aquatic life, human health, beneficial uses, or aesthetics. These conditions include, but are not limited to, the accumulation of pollutants in the sediments and other conditions that result in harm to benthic organisms, production of food chain organisms, or fish egg development. The presence of such deposits shall be determined by Colorado River Basin Water Board(s) on a case-by-case basis.

Ocean Waters

Not Applicable.

Percent Effect

The percent effect represents the difference between the response of the species at the IWC (i.e., 100% effluent) and the response in the control sample, relative to the control sample, as a percentage. The percent effect at IWC can be calculated as follows:

$$\text{Percent Effect} = \frac{(\text{Control Mean Response} - \text{IWC Mean Response})}{\text{Control Mean Response}} * 100$$

Persistent Pollutants

Persistent pollutants are substances for which degradation or decomposition in the environment is nonexistent or very slow.

PET Tool

The PET tool is a Microsoft Excel file that allows you to configure your data into a format that CIWQS will understand and interpret correctly, which is the CIWQS Data Format, or CDR. You can open the PET Tool in Excel, configure it on the basis of your permit requirements, and then use the configured file as a template for entering data during the different reporting frequency and periods.

Pollutant Minimization Program (PMP)

PMP means waste minimization and pollution prevention actions that include, but are not limited to, product substitution, waste stream recycling, alternative waste management methods, and education of the public and businesses. The goal of the PMP shall be to reduce all potential sources of a priority pollutant(s) through pollutant minimization (control) strategies, including pollution prevention measures as appropriate, to maintain the effluent concentration at or below the water quality-based effluent limitation. Pollution prevention measures may be particularly appropriate for persistent bioaccumulative priority pollutants where there is evidence that beneficial uses are being impacted. The Colorado River Basin Water Board may consider cost effectiveness when establishing the requirements of a PMP. The completion and implementation of a Pollution Prevention Plan, if required pursuant to Water Code section 13263.3(d), shall be considered to fulfill the PMP requirements.

Pollution Prevention

Pollution Prevention means any action that causes a net reduction in the use or generation of a hazardous substance or other pollutant that is discharged into water and includes, but is not limited to, input change, operational improvement, production process change, and product reformulation (as defined in Water Code section 13263.3). Pollution prevention does not include actions that merely shift a pollutant in wastewater from one environmental medium to another environmental medium, unless clear environmental benefits of such an approach are identified to the satisfaction of the State Water Board or Colorado River Basin Water Board.

Potable Water

Water that is safe for drinking and cooking and is in compliance with the State Water Board Division of Drinking Water or local county health department regulations.

Public Entity

Public Entity includes the Federal government or a state, county, city and county, city, district, public authority, or public agency.

Publicly Owned Treatment Works (POTW)

POTW means a treatment works as defined in 40 C.F.R. 212, which is owned by a State or municipality. This definition includes any devices and systems used in the storage, treatment, recycling and reclamation of municipal sewage or industrial wastes of a liquid nature. It also includes sewers, pipes, and other conveyances only if they convey wastewater to a POTW Treatment Plant. The term also means the municipality as defined in 40 C.F.R. 502(4), which has jurisdiction over the Indirect Discharges to and the discharges from such a treatment works.

Quality Assurance (QA)

Quality assurance is a practice in toxicity testing that addresses all activities affecting the quality of the final effluent toxicity data. QA includes practices such as effluent sampling and handling, source and condition of test organisms, equipment condition, test conditions, instrument calibration, replication, use of reference toxicants, recordkeeping, and data evaluation.

Quality Control (QC)

Quality control is the set of more focused, routine, day-to-day activities carried out as part of the overall QA program.

Reference Toxicant Test

Reference toxicant test is a check of the sensitivity of the test organisms and the suitability of the test methodology. Reference toxicant data are part of a routine QA/QC program to evaluate the performance of laboratory personnel and the robustness and sensitivity of the test organisms.

Replicate

Replicate is two or more independent organism exposures of the same treatment (i.e., effluent concentration) within a whole effluent toxicity test. Replicates are typically separate test chambers with organisms, each having the same effluent concentration.

Report of Waste Discharge

For the purposes of this Individual Board Order, references to the Report of Waste Discharge (ROWD) shall include the California Form 200, U.S. EPA forms and any other application information submitted to the Colorado River Basin Water Board.

Reporting Level (RL)

The RL is the ML (and its associated analytical method) chosen by the Discharger for reporting and compliance determination from the MLs included in this Order, including an additional factor if

applicable as discussed herein. The MLs included in this Order correspond to approved analytical methods for reporting a sample result that are selected by the Colorado River Basin Water Board either from Appendix 4 of the SIP in accordance with section 2.4.2 of the SIP or established in accordance with section 2.4.3 of the SIP. The ML is based on the proper application of method-based analytical procedures for sample preparation and the absence of any matrix interferences. Other factors may be applied to the ML depending on the specific sample preparation steps employed. For example, the treatment typically applied in cases where there are matrix-effects is to dilute the sample or sample aliquot by a factor of ten. In such cases, this additional factor must be applied to the ML in the computation of the RL.

Sample

Sample is a representative portion of a specific environmental matrix that is used in toxicity testing.

Satellite Collection System

The portion, if any, of a sanitary sewer system owned or operated by a different public agency than the agency that owns and operates the wastewater treatment facility that a sanitary sewer system is tributary to.

Serious Violation

For discharges of pollutants subject to the State Water Board's "Policy for Implementation of Toxics Standards for Inland Surface Waters, Enclosed Bays, and Estuaries of California," or the "California Ocean Plan", where the effluent limitation for a pollutant is lower than the applicable Minimum Level, any discharge that: (1) equals or exceeds the Minimum Level; and (2) exceeds the effluent limitation by 40 percent or more for a Group 1 pollutant or by 20 percent or more for a Group 2 pollutant, is a serious violation for the purposes of California Water Code section 13385(h)(2).

For discharges of pollutants that are not subject to the State Water Board's "Policy for Implementation of Toxics Standards for Inland Surface Waters, Enclosed Bays, and Estuaries of California," or the California Ocean Plan (e.g., pollutants that are not addressed by the applicable plan) where the effluent limitation for a pollutant is lower than the quantification limit specified or authorized in the applicable waste discharge requirements or monitoring requirements, any discharge that: (1) equals or exceeds the quantification limit; and (2) exceeds the effluent limitation by 40 percent or more for a Group 1 pollutant or by 20 percent or more for a Group 2 pollutant, is a serious violation for the purposes of California Water Code section 13385(h)(2).

Sewage Sludge

Sewage sludge is solid, semi-solid, or liquid residue generated during the treatment of domestic sewage in a treatment works. Sewage sludge includes, but is not limited to, domestic septage; scum or solids removed in primary, secondary, or advanced wastewater treatment processes; and a material derived from sewage sludge. Sewage sludge does not include ash generated during the firing of sewage sludge in a sewage sludge incinerator or grit and screenings generated during preliminary treatment of domestic sewage in a treatment works. Sewage sludge that has been classified as hazardous shall be disposed in accordance with 40 C.F.R. 261.

Sewage Sludge, Class A

Sewage Sludge to be classified Class A with respect to pathogens shall comply with the requirements in 40 C.F.R. 503.32(a)(2) and the requirements in either 40 C.F.R. 503.32(a)(3), (a)(4), (a)(5), (a)(6), (a)(7), or (a)(8).

Sewage Sludge, Class B

Sewage Sludge to be classified Class B with respect to pathogens shall comply with the requirements in either 40 C.F.R. 503.32(b)(2), (b)(3), or (b)(4).

Significant Difference

Significant difference is a statistically significant difference (e.g., 95 percent confidence level) in the means of two distributions of sampling results.

Significant Expansion

Significant expansion means an increase in permitted design flow of greater than 10% or changes to the Facility and/or changes in the nature and character of the discharge that may result in an incremental increase in pollutants discharged to the receiving water body of greater than 10% of the permitted discharge rates. When a new or existing facility undergoes significant expansion, the discharge shall be evaluated on a pollutant by pollutant basis.

Significant Figures

Significant figures of a number are those digits that carry meaning contributing to its precision. When adding or subtracting values with different degrees of precision, the last digit retained is determined by the least precise number (i.e., the answer should contain no digits farther to the right of the least precise number). For example:

$$\begin{array}{r} 37.24 \\ +10.3 \\ \hline 47.54 \end{array} \text{ is rounded to } 47.5$$

When multiplying or dividing values with different degrees of precision, the number of significant figures in the answer equals that of the quantity that has the smallest number of significant figures. For example:

$$\overbrace{113.2}^4 \times \overbrace{1.43}^3 = \overbrace{161.876}^6 \quad \text{is rounded to } \overbrace{162}^3$$

1. Additional Information on significant figures.
 - a. All nonzero digits are significant.
 - b. Zeros between nonzero digits are significant (e.g., 1.005 mg has four significant figures).
 - c. When a number ends in zeros to the right of a decimal point, they are significant (0.00500 has three significant figures).
 - d. When a number ends in zeros that are not to the right of a decimal point, significant figures are indeterminable (e.g., 10300 kg).
 - e. Only measurements have a limited number of significant figures. Given values, constants, etc. are assumed to have an infinite number of significant figures.
 - f. In addition, 40 C.F.R. part 136 specifies for some analytical methods, the number of significant figures to which measurements are made. The Discharger shall ensure laboratory analytical results are consistent with the requirements contained in 40 C.F.R. part 136 with regard to significant figures.

Source of Drinking Water

Any water designated as municipal or domestic supply (MUN) in the Colorado River Basin Water Board's Basin Plan.

Standard Deviation (σ)

Standard Deviation is a measure of variability that is calculated as follows:

$$\sigma = (\sum[(x - \mu)^2]/(n - 1))^{0.5}$$

where:

x is the observed value;

μ is the arithmetic mean of the observed values; and

n is the number of samples.

State Implementation Policy (SIP)

The Policy for Implementation of Toxics Standards for Inland Surface Waters, Enclosed Bays, and Estuaries of California.

Statistic

Statistic is a computed or estimated quantity such as the mean, standard deviation, or Coefficient of Variation.

Technology-Based Effluent Limitation

A technology-based effluent limitation is a permit limit for a pollutant that is based on the capability of a treatment method to reduce the pollutant to a certain concentration.

Teratogenic

Teratogenic pollutants are substances that are known to cause structural abnormalities or birth defects in living organisms.

Test Acceptability Criteria (TAC)

Test acceptability criteria are test method-specific criteria for determining whether toxicity test results are acceptable. The effluent and reference toxicant must meet specific criteria as defined in the test method (e.g., for the Ceriodaphnia dubia survival and reproduction test, the criteria are as follows: the test must achieve at least 80 percent survival and an average of 15 young per surviving female in the control and at least 60% of surviving organisms must have three broods).

Total Maximum Daily Load (TMDL)

A TMDL is the sum of the individual waste load allocations and load allocations for receiving water. A margin of safety is included with the two types of allocations so that any additional loading, regardless of source, would not produce a violation of water quality standards.

Total Solids

Total Solids are the materials that remain as residue when dried at 103 to 105 degrees Celsius.

Toxicity Reduction Evaluation (TRE)

TRE is a study conducted in a step-wise process designed to identify the causative agents of effluent or ambient toxicity, isolate the sources of toxicity, evaluate the effectiveness of toxicity control options, and then confirm the reduction in toxicity. The first steps of the TRE consist of the collection of data relevant to the toxicity, including additional toxicity testing, and an evaluation of Facility operations and maintenance practices, and best management practices. A Toxicity Identification Evaluation (TIE) may be required as part of the TRE, if appropriate. A TIE is a set of procedures to identify the specific chemical(s) responsible for toxicity. These procedures are performed in three phases (characterization, identification, and confirmation) using aquatic organism toxicity tests.

Toxicity Test

Toxicity test is a procedure to determine the toxicity of a chemical or an effluent using living organisms. A toxicity test measures the degree of effect on exposed test organisms of a specific chemical or effluent.

Treatment Works

Treatment works is either a federally owned, publicly owned, or privately owned device or system used to treat (including recycling and reclamation) either domestic sewage or a combination of domestic sewage and industrial waste of a liquid nature.

t-Test

t-Test (formally Student's t-Test) is a statistical analysis comparing two sets of replicate observations, in the case of WET, only two test concentrations (e.g., a control and IWC). The purpose of this test is to determine if the means of the two sets of observations are different (e.g., if the 100-percent effluent or ambient concentration differs from the control [i.e., the test passes or fails]). The statistical significance (i.e., pass/fail) of a two-sample test can be determined with either a standard t-test (if homogeneity of variance is achieved) or a modified t-test (if homogeneity of variance is not achieved) and where:

Type I Error (alpha α) is the error of rejecting the null hypothesis (H_0) that should have been accepted, and

Type II Error (beta β) is the error of accepting the null hypothesis (H_0) that should have been rejected.

Vector Attraction

Vector Attraction is the characteristic of a material that attracts rodents, flies, mosquitoes, or other organisms capable of transporting infectious agents.

Waste Load Allocation (WLA)

The portion of a receiving water's total maximum daily load that is allocated to one of its existing or future point sources of pollution.

Welch's t-Test

Welch's t-Test is an adaptation of the Student's t-test intended for use with two samples having unequal variances.

Whole Effluent Toxicity (WET)

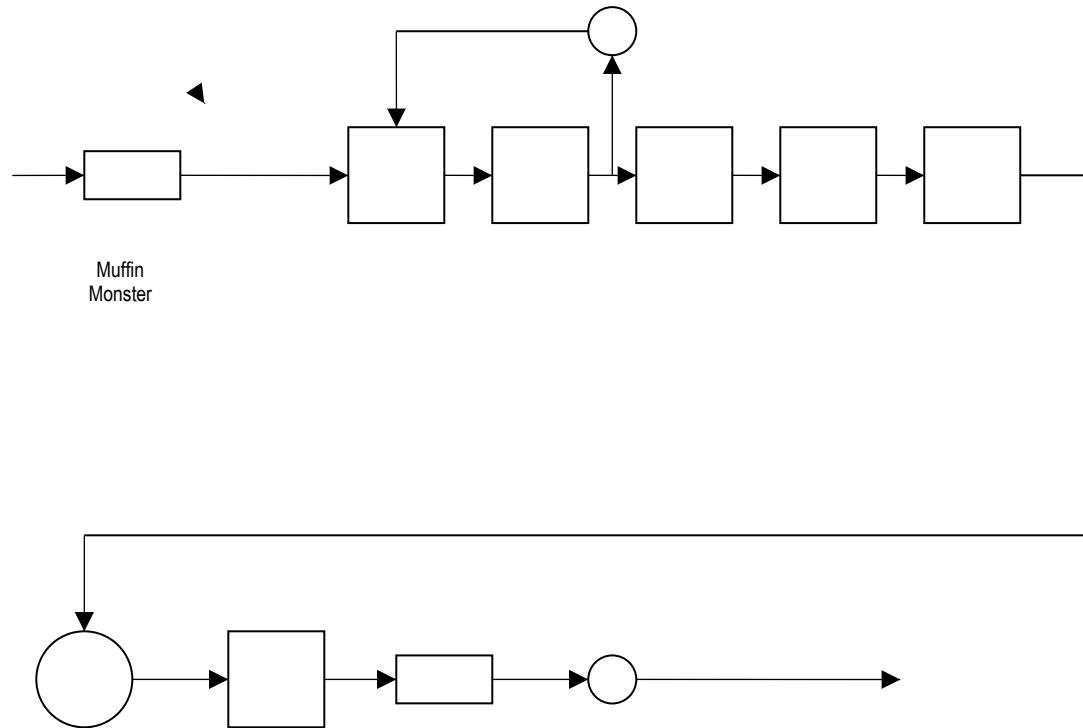
The aggregate toxic effect of an effluent measured directly by a toxicity test.

ATTACHMENT B – MAP



SEELEY COUNTY WATER DISTRICT
SEELEY COUNTY WASTEWATER TREATMENT PLANT
Seeley - Imperial County
Facility Location – NE ¼ of the NW ¼ of Section 11, T16S, R12E, SBB&M
Discharge to New River - N32° 47' 45" W115° 42' 10"

ATTACHMENT C – FLOW SCHEMATIC



ATTACHMENT D – STANDARD PROVISIONS

I. STANDARD PROVISIONS – PERMIT COMPLIANCE

A. Duty to Comply

1. The Discharger must comply with all of the terms, requirements, and conditions of this Order. Any noncompliance constitutes a violation of the Clean Water Act (CWA) and the California Water Code and is grounds for enforcement action; permit termination, revocation and reissuance, or modification; denial of a permit renewal application; or a combination thereof. (40 C.F.R. § 122.41(a); Wat. Code §§ 13261, 13263, 13265, 13268, 13000, 13001, 13304, 13350, 13385.)
2. The Discharger shall comply with effluent standards or prohibitions established under Section 307(a) of the CWA for toxic pollutants within the time provided in the regulations that establish these standards or prohibitions, even if this Order has not yet been modified to incorporate the requirement. (40 C.F.R. § 122.41(a)(1).)

B. Need to Halt or Reduce Activity Not a Defense

It shall not be a defense for a Discharger in an enforcement action that it would have been necessary to halt or reduce the permitted activity in order to maintain compliance with the conditions of this Order. (40 C.F.R. § 122.41(c).)

C. Duty to Mitigate

The Discharger shall take all reasonable steps to minimize or prevent any discharge in violation of this Order that has a reasonable likelihood of adversely affecting human health or the environment. (40 C.F.R. § 122.41(d).)

D. Proper Operation and Maintenance

The Discharger shall at all times properly operate and maintain all facilities and systems of treatment and control (and related appurtenances) which are installed or used by the Discharger to achieve compliance with the conditions of this Order. Proper operation and maintenance also includes adequate laboratory controls and appropriate quality assurance procedures. This provision requires the operation of backup or auxiliary facilities or similar systems that are installed by a Discharger only when necessary to achieve compliance with the conditions of this Order. (40 C.F.R. § 122.41(e).)

E. Property Rights

1. This Order does not convey any property rights of any sort or any exclusive privileges. (40 C.F.R. § 122.41(g).)
2. The issuance of this Order does not authorize any injury to persons or property or invasion of other private rights, or any infringement of state or local law or regulations. (40 C.F.R. § 122.5(c).)

F. Inspection and Entry

The Discharger shall allow the Colorado River Basin Water Board, State Water Board, U.S. EPA, and/or their authorized representatives (including an authorized contractor acting as their representative), upon the presentation of credentials and other documents, as may be required by law, to (33 U.S.C. § 1318(a)(4)(B); 40 C.F.R. § 122.41(i); Wat. Code, §§ 13267, 13383):

1. Enter upon the Discharger's premises where a regulated facility or activity is located or conducted, or where records are kept under the conditions of this Order (33 U.S.C. § 1318(a)(4)(B)(i); 40 C.F.R. § 122.41(i)(1); Wat. Code, §§ 13267, 13383);

2. Have access to and copy, at reasonable times, any records that must be kept under the conditions of this Order (33 U.S.C. § 1318(a)(4)(B)(ii); 40 C.F.R. § 122.41(i)(2); Wat. Code, §§ 13267, 13383);
3. Inspect and photograph, at reasonable times, any facilities, equipment (including monitoring and control equipment), practices, or operations regulated or required under this Order (33 U.S.C. § 1318(a)(4)(B)(ii); 40 C.F.R. § 122.41(i)(3); Wat. Code, §§ 13267, 13383); and
4. Sample or monitor, at reasonable times, for the purposes of assuring Order compliance or as otherwise authorized by the CWA or the Water Code, any substances or parameters at any location. (33 U.S.C. § 1318(a)(4)(B); 40 C.F.R. § 122.41(i)(4); Wat. Code, §§ 13267, 13383.)

G. Bypass

1. Definitions
 - a. “Bypass” means the intentional diversion of waste streams from any portion of a treatment facility. (40 C.F.R. § 122.41(m)(1)(i).)
 - b. “Severe property damage” means substantial physical damage to property, damage to the treatment facilities, which causes them to become inoperable, or substantial and permanent loss of natural resources that can reasonably be expected to occur in the absence of a bypass. Severe property damage does not mean economic loss caused by delays in production. (40 C.F.R. § 122.41(m)(1)(ii).)
2. Bypass not exceeding limitations. The Discharger may allow any bypass to occur which does not cause exceedances of effluent limitations, but only if it is for essential maintenance to assure efficient operation. These bypasses are not subject to the provisions listed in Standard Provisions – Permit Compliance I.G.3, I.G.4, and I.G.5 below. (40 C.F.R. § 122.41(m)(2).)
3. Prohibition of bypass. Bypass is prohibited, and the Colorado River Basin Water Board may take enforcement action against a Discharger for bypass, unless (40 C.F.R. § 122.41(m)(4)(i)):
 - a. Bypass was unavoidable to prevent loss of life, personal injury, or severe property damage (40 C.F.R. § 122.41(m)(4)(i)(A));
 - b. There were no feasible alternatives to the bypass, such as the use of auxiliary treatment facilities, retention of untreated wastes, or maintenance during normal periods of equipment downtime. This condition is not satisfied if adequate back-up equipment should have been installed in the exercise of reasonable engineering judgment to prevent a bypass that occurred during normal periods of equipment downtime or preventive maintenance (40 C.F.R. § 122.41(m)(4)(i)(B)); and
 - c. The Discharger submitted notice to the Colorado River Basin Water Board as required under Standard Provisions – Permit Compliance I.G.5 below. (40 C.F.R. § 122.41(m)(4)(i)(C).)
4. The Colorado River Basin Water Board may approve an anticipated bypass, after considering its adverse effects, if the Colorado River Basin Water Board determines that it will meet the three conditions listed in Standard Provisions – Permit Compliance I.G.3 above. (40 C.F.R. § 122.41(m)(4)(ii).)
5. Notice
 - a. Anticipated bypass. If the Discharger knows in advance of the need for a bypass, it shall submit a notice, if possible at least 10 days before the date of the bypass. As

of December 21, 2020 all notices must be submitted electronically by the Discharger to the initial recipient, as defined in 40 C.F.R. section 127.2(b), in compliance with this section and 40 C.F.R. part 3 (including, in all cases, subpart D of part 3), section 122.22, and 40 C.F.R. part 127. Part 127 is not intended to undo existing requirements for electronic reporting. Prior to this date, and independent of part 127, the Discharger may be required to report electronically if specified by a particular permit or if required to do so by state law. (40 C.F.R. § 122.41(m)(3)(i).)

- b. Unanticipated bypass. The Discharger shall submit notice of an unanticipated bypass as required in Standard Provisions - Reporting V.E below (24-hour notice). As of December 21, 2020 all notices must be submitted electronically by the Discharger to the initial recipient, as defined in 40 C.F.R. section 127.2(b), in compliance with this section and 40 C.F.R. part 3 (including, in all cases, subpart D of part 3), section 122.22, and 40 C.F.R. part 127. Part 127 is not intended to undo existing requirements for electronic reporting. Prior to this date, and independent of part 127, the Discharger may be required to report electronically if specified by a particular permit or if required to do so by state law. (40 C.F.R. § 122.41(m)(3)(ii).)

H. Upset

Upset means an exceptional incident in which there is unintentional and temporary noncompliance with technology based permit effluent limitations because of factors beyond the reasonable control of the Discharger. An upset does not include noncompliance to the extent caused by operational error, improperly designed treatment facilities, inadequate treatment facilities, lack of preventive maintenance, or careless or improper operation. (40 C.F.R. § 122.41(n)(1).)

1. Effect of an upset. An upset constitutes an affirmative defense to an action brought for noncompliance with such technology based permit effluent limitations if the requirements of Standard Provisions – Permit Compliance I.H.2 below are met. No determination made during administrative review of claims that noncompliance was caused by upset, and before an action for noncompliance, is final administrative action subject to judicial review. (40 C.F.R. § 122.41(n)(2).)
2. Conditions necessary for a demonstration of upset. A Discharger who wishes to establish the affirmative defense of upset shall demonstrate, through properly signed, contemporaneous operating logs or other relevant evidence that (40 C.F.R. § 122.41(n)(3)):
 - a. An upset occurred and that the Discharger can identify the cause(s) of the upset (40 C.F.R. § 122.41(n)(3)(i));
 - b. The permitted facility was, at the time, being properly operated (40 C.F.R. § 122.41(n)(3)(ii));
 - c. The Discharger submitted notice of the upset as required in Standard Provisions – Reporting V.E.2.b below (24-hour notice) (40 C.F.R. § 122.41(n)(3)(iii)); and
 - d. The Discharger complied with any remedial measures required under Standard Provisions – Permit Compliance I.C above. (40 C.F.R. § 122.41(n)(3)(iv).)
3. Burden of proof. In any enforcement proceeding, the Discharger seeking to establish the occurrence of an upset has the burden of proof. (40 C.F.R. § 122.41(n)(4).)

II. STANDARD PROVISIONS – PERMIT ACTION

A. General

This Order may be modified, revoked and reissued, or terminated for cause. The filing of a request by the Discharger for modification, revocation and reissuance, or termination, or a

notification of planned changes or anticipated noncompliance does not stay any Order condition. (40 C.F.R. § 122.41(f).)

B. Duty to Reapply

If the Discharger wishes to continue an activity regulated by this Order after the expiration date of this Order, the Discharger must apply for and obtain a new permit. (40 C.F.R. § 122.41(b).)

C. Transfers

This Order is not transferable to any person except after notice to the Colorado River Basin Water Board. The Colorado River Basin Water Board may require modification or revocation and reissuance of the Order to change the name of the Discharger and incorporate such other requirements as may be necessary under the CWA and the Water Code. (40 C.F.R. § 122.41(l)(3); 122.61.)

III. STANDARD PROVISIONS – MONITORING

A. Samples and measurements taken for the purpose of monitoring shall be representative of the monitored activity. (40 C.F.R. § 122.41(j)(1).)

B. Monitoring must be conducted according to test procedures approved under 40 C.F.R. part 136 for the analyses of pollutants unless another method is required under 40 C.F.R. subchapter N. Monitoring must be conducted according to sufficiently sensitive test methods approved under 40 C.F.R. part 136 for the analysis of pollutants or pollutant parameters or as required under 40 C.F.R. chapter 1, subchapter N or O. For the purposes of this paragraph, a method is sufficiently sensitive when:

1. The method minimum level (ML) is at or below the level of the most stringent effluent limitation established in the permit for the measured pollutant or pollutant parameter, and either the method ML is at or below the level of the most stringent applicable water quality criterion for the measured pollutant or pollutant parameter or the method ML is above the applicable water quality criterion but the amount of the pollutant or pollutant parameter in the facility's discharge is high enough that the method detects and quantifies the level of the pollutant or pollutant parameter in the discharge; or
2. The method has the lowest ML of the analytical methods approved under 40 C.F.R. part 136 or required under 40 C.F.R. chapter 1, subchapter N for the measured pollutant or pollutant parameter.

In the case of pollutants or pollutant parameters for which there are no approved methods under 40 C.F.R. part 136 or otherwise required under 40 C.F.R. chapter 1, subchapters N or O, monitoring must be conducted according to a test procedure specified in this Order for such pollutants or pollutant parameters. (40 C.F.R. §§ 122.21(e)(3), 122.41(j)(4), 122.44(i)(1)(iv).)

IV. STANDARD PROVISIONS – RECORDS

A. The Discharger shall retain records of all monitoring information, including all calibration and maintenance records and all original strip chart recordings for continuous monitoring instrumentation, copies of all reports required by this Order, and records of all data used to complete the application for this Order, for a period of at least three (3) years from the date of the sample, measurement, report or application. This period may be extended by request of the Colorado River Basin Water Board Executive Officer at any time. (40 C.F.R. § 122.41(j)(2).)

B. Records of monitoring information shall include:

1. The date, exact place, and time of sampling or measurements (40 C.F.R. § 122.41(j)(3)(i));
 2. The individual(s) who performed the sampling or measurements (40 C.F.R. § 122.41(j)(3)(ii));
 3. The date(s) analyses were performed (40 C.F.R. § 122.41(j)(3)(iii));
 4. The individual(s) who performed the analyses (40 C.F.R. § 122.41(j)(3)(iv));
 5. The analytical techniques or methods used (40 C.F.R. § 122.41(j)(3)(v)); and
 6. The results of such analyses. (40 C.F.R. § 122.41(j)(3)(vi).)
- C.** Claims of confidentiality for the following information will be denied (40 C.F.R. § 122.7(b)):
1. The name and address of any permit applicant or Discharger (40 C.F.R. § 122.7(b)(1)); and
 2. Permit applications and attachments, permits and effluent data. (40 C.F.R. § 122.7(b)(2).)

V. STANDARD PROVISIONS – REPORTING

A. Duty to Provide Information

The Discharger shall furnish to the Colorado River Basin Water Board, State Water Board, or U.S. EPA within a reasonable time, any information which the Colorado River Basin Water Board, State Water Board, or U.S. EPA may request to determine whether cause exists for modifying, revoking and reissuing, or terminating this Order or to determine compliance with this Order. Upon request, the Discharger shall also furnish to the Colorado River Basin Water Board, State Water Board, or U.S. EPA copies of records required to be kept by this Order. (40 C.F.R. § 122.41(h); Wat. Code, §§ 13267, 13383.)

B. Signatory and Certification Requirements

1. All applications, reports, or information submitted to the Colorado River Basin Water Board, State Water Board, and/or U.S. EPA shall be signed and certified in accordance with Standard Provisions – Reporting V.B.2, V.B.3, V.B.4, and V.B.5 below. (40 C.F.R. § 122.41(k).)
2. All permit applications shall be signed by either a principal executive officer or ranking elected official. For purposes of this provision, a principal executive officer of a federal agency includes: (i) the chief executive officer of the agency, or (ii) a senior executive officer having responsibility for the overall operations of a principal geographic unit of the agency (e.g., Regional Administrators of U.S. EPA). (40 C.F.R. § 122.22(a)(3).)
3. All reports required by this Order and other information requested by the Colorado River Basin Board, State Water Board, or U.S. EPA shall be signed by a person described in Standard Provisions – Reporting V.B.2 above, or by a duly authorized representative of that person. A person is a duly authorized representative only if:
 - a. The authorization is made in writing by a person described in Standard Provisions – Reporting V.B.2 above (40 C.F.R. § 122.22(b)(1));
 - b. The authorization specifies either an individual or a position having responsibility for the overall operation of the regulated facility or activity such as the position of plant manager, operator of a well or a well field, superintendent, position of equivalent responsibility, or an individual or position having overall responsibility for environmental matters for the company. (A duly authorized representative may thus

be either a named individual or any individual occupying a named position.) (40 C.F.R. § 122.22(b)(2)); and

- c. The written authorization is submitted to the Colorado River Basin Board and State Water Board. (40 C.F.R. § 122.22(b)(3).)
4. If an authorization under Standard Provisions – Reporting V.B.3 above is no longer accurate because a different individual or position has responsibility for the overall operation of the facility, a new authorization satisfying the requirements of Standard Provisions – Reporting V.B.3 above must be submitted to the Colorado River Basin Board and State Water Board prior to or together with any reports, information, or applications, to be signed by an authorized representative. (40 C.F.R. § 122.22(c).)
5. Any person signing a document under Standard Provisions – Reporting V.B.2 or V.B.3 above shall make the following certification:

“I certify under penalty of law that this document and all attachments were prepared under my direction or supervision in accordance with a system designed to assure that qualified personnel properly gather and evaluate the information submitted. Based on my inquiry of the person or persons who manage the system or those persons directly responsible for gathering the information, the information submitted is, to the best of my knowledge and belief, true, accurate, and complete. I am aware that there are significant penalties for submitting false information, including the possibility of fine and imprisonment for knowing violations.” (40 C.F.R. § 122.22(d).)

6. If documents described in Standard Provisions – V.B.1, V.B.2, or V.B.3 are submitted electronically by or on behalf of the NPDES-regulated facility, any person providing the electronic signature for such documents shall meet all relevant requirements of Standard Provisions – Reporting V.B, and shall ensure that all of the relevant requirements of 40 C.F.R. part 3 (including, in all cases, subpart D of part 3) (Cross-Media Electronic Reporting) and 40 C.F.R. part 127 (NPDES Electronic Reporting Requirements) are met for that submission. (40 C.F.R. § 122.22(e).)

C. Monitoring Reports

1. Monitoring results shall be reported at the intervals specified in the Monitoring and Reporting Program (Attachment E) in this Order. (40 C.F.R. § 122.41(l)(4).)
2. Monitoring results must be reported on a Discharge Monitoring Report (DMR) form or forms provided or specified by the Colorado River Basin Water Board or State Water Board. As of December 21, 2016 all reports and forms must be submitted electronically by the Discharger to the initial recipient, as defined in Standard Provisions – Reporting V.J, in compliance with this section and 40 C.F.R. part 3 (including, in all cases, subpart D of part 3), section 122.22, and 40 C.F.R. part 127. Part 127 is not intended to undo existing requirements for electronic reporting. Prior to this date, and independent of part 127, the Discharger may be required to report electronically if specified by the permit or if required to do so by state law. (40 C.F.R. § 122.41(l)(4)(i).)
3. If the Discharger monitors any pollutant more frequently than required by this Order using test procedures approved under 40 C.F.R. part 136, or another method required for an industry-specific waste stream under 40 C.F.R. subchapter N, the results of such monitoring shall be included in the calculation and reporting of the data submitted in the DMR or reporting form specified by the Colorado River Basin Water Board or State Water Board. (40 C.F.R. § 122.41(l)(4)(ii).)
4. Calculations for all limitations, which require averaging of measurements, shall utilize an arithmetic mean unless otherwise specified in this Order. (40 C.F.R. § 122.41(l)(4)(iii).)

D. Compliance Schedules

Reports of compliance or noncompliance with, or any progress reports on, interim and final requirements contained in any compliance schedule of this Order, shall be submitted no later than 14 days following each schedule date. (40 C.F.R. § 122.41(l)(5).)

E. Twenty-Four Hour Reporting

1. The Discharger shall report any noncompliance which may endanger health or the environment. Any information shall be provided orally within 24 hours from the time the Discharger becomes aware of the circumstances. A report shall also be provided within five (5) days of the time the Discharger becomes aware of the circumstances. The report shall contain a description of the noncompliance and its cause; the period of noncompliance, including exact dates and times, and if the noncompliance has not been corrected, the anticipated time it is expected to continue; and steps taken or planned to reduce, eliminate, and prevent reoccurrence of the noncompliance. (40 CFR § 122.41(l)(6)(i).)
2. For noncompliance events related to combined sewer overflows, sanitary sewer overflows, or bypass events, these reports must include the data described above (with the exception of time of discovery) as well as the type of event (combined sewer overflows, sanitary sewer overflows, or bypass events), type of sewer overflow structure (e.g., manhole, combined sewer overflow outfall), discharge volumes untreated by the treatment works treating domestic sewage, types of human health and environmental impacts of the sewer overflow event, and whether the noncompliance was related to wet weather. As of December 21, 2020 all reports related to combined sewer overflows, sanitary sewer overflows, or bypass events must be submitted electronically by the Discharger to the initial recipient, as defined in Standard Provisions – Reporting V.J, in compliance with this section and 40 C.F.R. part 3 (including in all cases, subpart D of part 3), section 122.22, and 40 C.F.R. part 127. Part 127 is not intended to undo existing requirements for electronic reporting. Prior to this date, and independent of part 127, the Discharger may be required to electronically submit reports related to combined sewer overflows, sanitary sewer overflows, or bypass events under this section by a particular permit or if required to do so by state law.
3. The following shall be included as information that must be reported within 24 hours under this paragraph (40 CFR § 122.41(l)(6)(ii):
 - a. Any unanticipated bypass that exceeds any effluent limitation in this Order. (40 CFR § 122.41 (l)(6)(ii)(A).)
 - b. Any upset that exceeds any effluent limitation in this Order. (40 CFR § 122.41 (l)(6)(ii)(B).)
4. The Colorado River Basin Water Board may waive the above-required written report under this provision on a case-by-case basis if an oral report has been received within 24 hours. (40 CFR § 122.41(l)(6)(iii).)

F. Planned Changes

The Discharger shall give notice to the Colorado River Basin Water Board as soon as possible of any planned physical alterations or additions to the permitted facility. Notice is required under this provision only when (40 C.F.R. § 122.41(l)(1)):

1. The alteration or addition to a permitted facility may meet one of the criteria for determining whether a facility is a new source in section 122.29(b) (40 C.F.R. § 122.41(l)(1)(i)); or

2. The alteration or addition could significantly change the nature or increase the quantity of pollutants discharged. This notification applies to pollutants that are not subject to effluent limitations in this Order. (40 C.F.R. § 122.41(l)(1)(ii).)

G. Anticipated Noncompliance

The Discharger shall give advance notice to the Colorado River Basin Water Board or State Water Board of any planned changes in the permitted facility or activity that may result in noncompliance with this Order's requirements. (40 C.F.R. § 122.41(l)(2).)

H. Other Noncompliance

The Discharger shall report all instances of noncompliance not reported under Standard Provisions – Reporting V.C, V.D, and V.E above at the time monitoring reports are submitted. The reports shall contain the information listed in Standard Provision – Reporting V.E above. (40 C.F.R. § 122.41(l)(7).)

I. Other Information

When the Discharger becomes aware that it failed to submit any relevant facts in a permit application, or submitted incorrect information in a permit application or in any report to the Colorado River Basin Water Board, State Water Board, or U.S. EPA, the Discharger shall promptly submit such facts or information. (40 C.F.R. § 122.41(l)(8).)

J. Identification of the Initial Recipient for NPDES Electronic Reporting Data

The owner, operator, or the duly authorized representative of an NPDES-regulated entity is required to electronically submit the required NPDES information (as specified in appendix A to 40 C.F.R. part 127) to the appropriate initial recipient, as determined by U.S. EPA, and as defined in 40 C.F.R. section 127.2(b). U.S. EPA will identify and publish the list of initial recipients on its website and in the Federal Register, by state and by NPDES data group [see 40 C.F.R. section 127.2(c)]. U.S. EPA will update and maintain this listing. (40 C.F.R. § 122.41(l)(9).)

VI. STANDARD PROVISIONS – ENFORCEMENT

- A.** The Colorado River Basin Water Board is authorized to enforce the terms of this permit under several provisions of the Water Code, including, but not limited to, sections 13268, 13385, 13386, and 13387.

VII. ADDITIONAL PROVISIONS – NOTIFICATION LEVELS

A. Publicly-Owned Treatment Works (POTWs)

All POTWs shall provide adequate notice to the Colorado River Basin Water Board of the following (40 C.F.R. § 122.42(b)):

1. Any new introduction of pollutants into the POTW from an indirect discharger that would be subject to sections 301 or 306 of the CWA if it were directly discharging those pollutants (40 C.F.R. § 122.42(b)(1));
2. Any substantial change in the volume or character of pollutants being introduced into that POTW by a source introducing pollutants into the POTW at the time of adoption of the Order (40 C.F.R. § 122.42(b)(2)); and
3. Adequate notice shall include information on the quality and quantity of effluent introduced into the POTW as well as any anticipated impact of the change on the quantity or quality of effluent to be discharged from the POTW. (40 C.F.R. § 122.42(b)(3).)

ATTACHMENT E – MONITORING AND REPORTING PROGRAM

Contents

I. General Monitoring Provisions	E-2
II. Monitoring Locations	E-4
III. Influent Monitoring Requirements	E-4
A. Monitoring Location INF-001	E-4
IV. Effluent Monitoring Requirements	E-4
A. Monitoring Location EFF-001	E-4
V. Whole Effluent Toxicity Testing Requirements	E-6
A. Chronic Toxicity Testing	E-6
VI. Land Discharge Monitoring Requirements – Not Applicable	E-12
VII. Recycling Monitoring Requirements – Not Applicable	E-12
VIII. Receiving Water Monitoring Requirements	E-12
A. Monitoring Location RSW-001	E-12
B. Monitoring Location RSW-002	E-13
C. Visual Monitoring	E-13
IX. Other Monitoring Requirements	E-14
X. Reporting Requirements	E-14
A. General Monitoring and Reporting Requirements	E-14
B. Electronic Self-Monitoring Reports (eSMRs)	E-14
C. Discharge Monitoring Reports (DMRs)	E-17
D. Other Reports	E-17

Tables

Table E-1. Monitoring Station Locations	E-4
Table E-2. Influent Monitoring	E-4
Table E-3. Effluent Monitoring at EFF-001	E-4
Table E-4. Whole Effluent Toxicity Test Species	E-6
Table E-5. Example of Screening Table for Chronic Test	E-7
Table E-6. TAC Specified in EPA/821-R-02-013	E-8
Table E-7. Receiving Water Monitoring Requirements – RSW-001	E-12
Table E-8. Receiving Water Monitoring Requirements- RSW-002	E-13
Table E-9. Monitoring Periods and Reporting Schedule	E-15
Table E-10. Operations and Maintenance Report	E-17

ATTACHMENT E – MONITORING AND REPORTING PROGRAM (MRP)

Section 308 of the federal Clean Water Act (CWA) and sections 122.41(h), (j)-(l), 122.44(i), and 122.48 of title 40 of the Code of Federal Regulations (40 C.F.R.) require that all NPDES permits specify monitoring and reporting requirements. Water Code sections 13267 and 13383 also authorize the Colorado River Basin Water Board to establish monitoring, inspection, entry, reporting, and recordkeeping requirements. This MRP establishes monitoring, reporting, and recordkeeping requirements that implement the federal and California laws and/or regulations.

I. GENERAL MONITORING PROVISIONS

- A. Samples and measurements taken as required herein shall be representative of the volume and nature of the monitored discharge. All samples shall be taken at the monitoring locations specified below and, unless otherwise specified, before the monitored flow joins or is diluted by any other waste stream, body of water, or substance. Monitoring locations shall not be changed without notification to and the approval of the Colorado River Basin Water Board.
- B. Appropriate flow measurement devices and methods consistent with accepted scientific practices shall be selected and used to ensure the accuracy and reliability of measurements of the volume of monitored discharges. The devices shall be installed, calibrated and maintained to ensure that the accuracy of the measurements is consistent with the accepted capability of that type of device. Devices selected shall be capable of measuring flows with a maximum deviation of less than ± 10 percent from true discharge rates throughout the range of expected discharge volumes.
- C. All flow measurement devices shall be calibrated at least once per year or more frequently, to ensure continued accuracy of the devices.
- D. Laboratories analyzing monitoring samples shall be certified by the State Water Board, in accordance with the provision of Water Code section 13176, and must include quality assurance/quality control data with their reports.
- E. The collection, preservation and holding times of all samples shall be in accordance with the test procedures under 40 C.F.R. part 136 (amended May 18, 2012) "*Guidelines Establishing Test Procedures for the Analysis of Pollutants*," promulgated by the United States Environmental Protection Agency (U.S. EPA), unless otherwise specified in this MRP. In addition, the Colorado River Basin Water Board and/or EPA, at their discretion, may specify test methods that are more sensitive than those specified in 40 C.F.R. part 136.
- F. The Discharger must utilize analytical methods as follows:
 - 1. A test procedure listed in 40 C.F.R. section 136.3; or
 - 2. An alternative test procedure approved by EPA as provided in 40 C.F.R. sections 136.4 or 136.5; or;
 - 3. A test procedure listed in 40 C.F.R. part 136, with modifications allowed by EPA as provided in 40 C.F.R. section 136.6.

Guidance on procedures for approval of alternative and new test procedures can be obtained from the following references: *Protocol for EPA Approval of Alternative Test Procedures for Organic and Inorganic Analytes in Wastewater and Drinking Water* (EPA 821-B-98-002, March 1999); and *Protocol for EPA Approval of New Methods for Organic and Inorganic Analytes in Wastewater and Drinking Water* (EPA 821-B-98-003, March 1999).

- G. For priority pollutants, the Discharger shall require its testing laboratory to calibrate the analytical system down to the minimum levels (MLs) specified in 40 C.F.R. part 136, unless an alternative minimum level is approved by the Colorado River Basin Water Board's Executive Officer.

- H.** In conformance with federal regulations 40 C.F.R. section 122.45(c), analyses to determine compliance with the effluent limitations for metals shall be conducted using the total recoverable method. For Chromium (VI), the dissolved method in conformance with 40 C.F.R. part 136 shall be used to measure compliance with a Chromium (VI) effluent limitation.
- For Cyanide¹, analytical test methods in conformance with 40 C.F.R. part 136 shall be used as acceptable methods to measure Cyanide².
- I.** In accordance with the test procedures under 40 C.F.R. part 136, samples shall be analyzed as soon as possible after collection. The Discharger shall develop and implement a written Quality Assurance Plan (QAP) for samples that are analyzed on-site. The QAP shall at a minimum address the following steps:
1. Provide a description of Standard Operating Procedures (SOPs);
 2. Provide an overview of the task description and objectives;
 3. Identify the sampling process, method and handling;
 4. Identify the instrumentation/equipment testing, inspection and maintenance;
 5. Identify the instrumentation/equipment calibration and frequency;
 6. Identify the sample analysis methods and calibration range; and
 7. Summarize the data review and validation procedures.
- J.** All monitoring instruments and devices used by the Discharger to fulfill the prescribed monitoring program shall be properly maintained and calibrated as necessary to ensure their continued accuracy. In the event that continuous monitoring equipment is out of service for period greater than 24-hours, the Discharger shall obtain representative grab samples each day the equipment is out of service. The Discharger shall correct the cause(s) of failure of the continuous monitoring equipment as soon as practicable. The Discharger shall report the period(s) during which the equipment was out of service and if the problem has not been corrected, shall identify the steps which the Discharger is taking or proposes to take to bring the equipment back into service and the schedule for these actions.
- K.** Monitoring results, including noncompliance, shall be reported at intervals and in a manner specified in this MRP.
- L.** Whenever the Discharger monitors any pollutant more frequently than is required by this Order, the results of this monitoring shall be included in the calculations and reporting of the data submitted in the discharge monitoring report specified by the Executive Officer.
- M.** If the Facility is not in operation, or there is no discharge during a required reporting period, the Discharger shall indicate that there has been no activity during the required reporting period in CIWQS.
- N.** The Discharger shall submit values in eSMR as required to determine compliance with the permit effluent limit requirements (e.g., AMEL, MDEL, % removals, geomeans, mass loadings, etc.) in the California Integrated Water Quality System (CIWQS) Program.

¹ The sample for cyanide measurement shall be collected as a grab sample. Various sample preservation and sample stabilizations procedures are available that may resolve analytical interferences associated with cyanide analysis of treated wastewater effluent, ASTM Standard Practice D7365-09a. Furthermore, any technique for removal or suppression of interferences may be employed, provided the laboratory demonstrates that it more accurately measures cyanide through quality control measures described in the analytical test method. Any removal or suppression technique not described in D7365-09a or the analytical test method must be documented with supporting data.

² Federal Register, Vol. 77, No. 97, May 18, 2012. Cyanide exists in a variety of forms. It can be free or part of strong or weak complexes with other species. The analytical method employed determines what type of cyanide is measured. Types of cyanide measured include: Total, Available, Amenable to Chlorination, Weak Acid Dissociable, Free and others.

- O. The Discharger shall submit the eSMR for reporting period November 2017 in the eSMR module for Order No. R7-2012-0011 in the CIWQS Program.

II. MONITORING LOCATIONS

The Discharger shall establish the following monitoring locations to demonstrate compliance with the effluent limitations, discharge specifications, and other requirements in this Order:

Table E-1. Monitoring Station Locations

Discharge Point Name	Monitoring Location ³ Name	Monitoring Location Description
--	INF-001	Wastewater influent to the treatment Facility. The sampling station shall be located upstream of any in-plant return flows where a representative influent sample to the treatment plant can be obtained.
001	EFF-001	Effluent discharged from the treatment facility into the unnamed tributary to the New River; Latitude 32°47' 45.9" N and Longitude 115° 42' 0.2" W.
---	RSW-001	Receiving water (New River) monitoring location not to exceed 100 feet upstream from the location where the effluent enters the New River; Latitude 32°47' 39.92" N and Longitude 115° 42' 8.69" W.
---	RSW-002	Receiving water (New River) monitoring location not to exceed 200 feet downstream from the location where the effluent enters the New River, at a point where a plume would be expected; Latitude 32°48' 7.3" N and Longitude 115° 42' 21.47" W.

III. INFLUENT MONITORING REQUIREMENTS

A. Monitoring Location INF-001

1. The Discharger shall monitor influent at INF-001 as follows:

Table E-2. Influent Monitoring

Parameter	Units	Sample Type	Minimum Sampling Frequency	Required Analytical Test Method
Flow	MGD	Metered ¹	Continuous	See Section I.B of the MRP
Biochemical Oxygen Demand (BOD ₅) (5 day @ 20 Deg. C)	mg/L	24-Hr. Composite	1x/Week	See Section I.E. of the MRP
	lbs/day	Calculated		
Suspended Solids, Total (TSS)	mg/L	24-Hr. Composite	1x/Week	"
	lbs/day	Calculated		

IV. EFFLUENT MONITORING REQUIREMENTS

A. Monitoring Location EFF-001

1. The Discharger shall monitor equivalent to secondary treated wastewater effluent at Monitoring Location EFF-001 as follows:

Table E-3. Effluent Monitoring at EFF-001

Parameter	Units	Sample Type	Minimum Sampling Frequency	Required Analytical Test Method
Flow	MGD	Flow Meter (Totalizer)	1x/Day ⁴	See Section I.B of the MRP

³ The North latitude and West longitude information in Table 1 are approximate for administrative purposes

⁴ Report total daily flow. The Discharger calculates the daily effluent flow from daily readings taken from the effluent flow totalizer

Parameter	Units	Sample Type	Minimum Sampling Frequency	Required Analytical Test Method
		Reading/Calculation		
pH	Standard Units	Grab	1x/Week	See Section I.E and I.F of the MRP
Temperature	°F	Grab	1x/Week	See Section I.E and I.F of the MRP
20°C BOD ₅	mg/L	24-Hr. Composite ⁵	1x/Week	See Section I.E. of the MRP
20°C BOD ₅	lbs/day	Calculated	1x/Week	See Section I.E. of the MRP
TSS	mg/L	24-Hr. Composite	1x/Week	See Section I.E. of the MRP
TSS	lbs/day	Calculated	1x/Week	See Section I.E. of the MRP
Escherichia coli (<i>E. coli</i>)	MPN/100 ml	Grab	5x/Month ⁶	7
Enterococci	MPN/100 ml	Grab	5x/Month ⁶	See Section I.E and I.F of the MRP
Fecal coliform	MPN/100 ml	Grab	5x/Month ⁶	See Section I.E and I.F of the MRP
Dissolved oxygen	mg/L	Grab	1x/Month	See Section I.E and I.F of the MRP
Copper, Total Recoverable	µg/L	Grab	1x/Month	See Section I.G. of the MRP
Copper, Total Recoverable	lbs/day	Calculated	1x/Month	See Section I.G. of the MRP
Mercury, Total Recoverable	µg/L	Grab	1x/Month	See Section I.G. of the MRP
Mercury, Total Recoverable	lbs/day	Calculated	1x/Month	See Section I.G. of the MRP
Cyanide, Free	µg/L	Grab	1x/Month	See Section I.G. of the MRP
Cyanide, Free	lbs/day	Calculated	1x/Month	See Section I.G. of the MRP
Bis (2-ethylhexyl) Phthalate	µg/L	Grab	1x/Month	See Section I.G. of the MRP
Bis (2-ethylhexyl) Phthalate	lbs/day	Calculated	1x/Month	See Section I.G. of the MRP
Dissolved Solids, Total	mg/L	Grab	1x/Quarter	See Section I.E and I.F of the MRP
Nitrates, as N	mg/L	Grab	1x/Quarter	See Section I.E and I.F of the MRP
Nitrites, as N	mg/L	Grab	1x/Quarter	See Section I.E and I.F of the MRP
Total Nitrogen, as N	mg/L	Grab	1x/Quarter	See Section I.E and I.F of the MRP
Total Ammonia, as N	mg/l	Grab	1x/Quarter	See Section I.E and I.F of the MRP
Total Phosphate, as P	mg/L	Grab	1x/Quarter	See Section I.E and I.F of the MRP
Ortho-Phosphate, as P	mg/L	Grab	1x/Quarter	See Section I.E and I.F of the MRP
Hardness, Total (as CaCO ₃)	mg/L	Grab	1x/Quarter	See Section I.E and I.F of the MRP
Oil and Grease ⁸	mg/L	Grab	1x/Year	See Section I.E and I.F of the MRP

⁵ 24-hour composite samples shall be flow-proportionate composite samples

⁶ Five samples equally spaced over a 30-day period with a minimum of one sample per week

⁷ The Discharger may monitor for *E. coli* using analytical methods, Standard Method 9221.F or 9223 (APHA. 1998, 1995, 1992. Standard Methods for the Examination of Water and Wastewater. American Public Health Association, 20th, 19th, and 18th Editions. Amer. Publ. Hlth. Assoc., Washington D.C.)

⁸ Total oil and grease shall include the polar and non-polar fraction of oil and grease materials

Parameter	Units	Sample Type	Minimum Sampling Frequency	Required Analytical Test Method
Oil and Grease ⁸	lbs/day	Calculated	1x/Year	See Section I.E and I.F of the MRP
Priority Pollutants ⁹	µg/L	Grab/24-Hr. Composite ¹⁰	1x/Year	See Section I.G of the MRP

V. WHOLE EFFLUENT TOXICITY TESTING REQUIREMENTS

A. Chronic Toxicity Testing

- Discharge In-stream Waste Concentration (IWC) for Chronic Toxicity.** The chronic toxicity IWC for this discharge is 100 percent effluent.
- Sample Volume and Holding Time.** The total sample volume shall be determined by the specific toxicity test method used. Sufficient sample volume shall be collected to perform the required toxicity test. All toxicity tests shall be conducted as soon as possible following sample collection. No more than 36 hours shall elapse before the conclusion of sample collection and test initiation.
- Test Methods.** The Discharger shall conduct the following chronic toxicity tests on effluent samples at the in-stream waste concentration for the discharge in accordance with species and test protocols in EPA/821-R-02-013 – *Short Term Methods for Estimating the Chronic Toxicity of Effluent and Receiving Waters to Freshwater Organisms*, 4th edition.
- Chronic Freshwater Species.** The Discharger shall conduct static renewal toxicity tests, with the fathead minnow (*Pimephales promelas*), (Larval Survival and Growth Test Method 1000.0) and the water flea (*Ceriodaphnia dubia*), (Survival and Reproduction Test Method 1002.0); and static tests with the green alga (*Selenastrum capricornutum*), (Growth Test Method 1003.0). In no case shall these species be substituted with another test species unless written authorization from the Colorado River Basin Water Board is received.
- Discharge Collected at Monitoring Stations.** The Discharger shall conduct chronic toxicity testing on the final effluent measured at Monitoring Location EFF-001 as follows:

Table E-4. Whole Effluent Toxicity Test Species

Test (s)	Species	Endpoints	Test Duration (days)	References	Sample Type	Minimum Sampling Frequency ¹¹
Chronic	Fathead Minnow (<i>Pimephales promelas</i>) ¹²	Larval Survival and Growth	7	EPA 821-R-02-013 (Chronic) EPA Method 1000.0	24-Hr. Composite	4x/Year ¹³

⁹ All Priority Pollutants as defined by the California Toxics Rule (CTR), codified at 40 C.F.R. section 131.38.

¹⁰ 24-hour composite samples shall be time-proportionate composite samples. Inorganic priority pollutant shall be collected using composite samples and volatile and semi-volatile pollutants shall be collected using grab samples

¹¹ The reporting period will match the sampling frequency (e.g., minimum sampling frequency is monthly then the reporting period is monthly, minimum sampling frequency is quarterly then reporting period is quarterly, etc.)

¹² For the fathead minnow and the water flea, the sample should consist of three water samples collected on three separate days as noted in the method. The green algae test uses only one sample, as it is a shorter test

¹³ The screening phase (conducted during the first and fourth years of the permit term) shall be completed after a minimum of one (1) toxicity test has been completed on the three test species. The monitoring phase shall be conducted after the initial screening and during the remaining years (i.e., second, third, and fifth years of the permit term), using the most sensitive species

Chronic	Water Flea (<i>Ceriodaphnia dubia</i>) ¹²	Survival and Reproduction	6-8 ¹⁴	EPA 821-R-02-013 (Chronic) EPA Method 1002.0	24-Hr. Composite	4x/Year ¹³
Chronic	Green Alga (<i>Selenastrum capricornutum</i>) ¹²	Growth	4	EPA 821-R-02-013 (Chronic) EPA Method 1003.0	24-Hr. Composite	4x/Year ¹³

6. **Species Sensitivity Screening.** During the first and fourth years of the permit term, the toxicity testing shall be conducted in two phases, the screening phase and the monitoring phase.
- For the screening phase, the Discharger shall split a 24-hour composite effluent sample and conduct concurrent toxicity tests using a fish, an invertebrate and an aquatic plant species. The fathead minnow (*Pimephales promelas*), water flea (*Ceriodaphnia dubia*), and green alga (*Selenastrum capricornutum*) are the test species approved by the Colorado River Basin Water Board's Executive Officer.
 - The screening phase is completed by selecting the most sensitive species. The most sensitive species is the fish, invertebrate, or algal species which consistently demonstrates the largest percent effect level at the In-stream Waste Concentration¹⁵ (IWC), where: IWC percent effect level = [(Control mean response - IWC mean response) ÷ Control mean response] × 100.
 - After the screening phase, the permittee shall then continue to conduct toxicity testing during the monitoring phase using the single, most sensitive species until the next screening phase. An example of a sensitivity comparison is shown in Table E-5.

Table E-5. Example of Screening Table for Chronic Test

Species	Endpoints	Mean Control Response	Mean Response at IWC (100% effluent)	% effect at IWC (100% effluent)	Most Sensitive Species
Fathead Minnow	Larval Survival	10	10	$(10 - 10)/10 \times 100 = 0\%$	
Fathead Minnow	Growth	0.41	0.363	$(0.41 - 0.363)/.41 \times 100 = 11.5\%$	
Water Flea	Survival	10	9	$(10 - 9)/10 \times 100 = 10\%$	
Water Flea ¹⁶	Reproduction	33.4	26.7	$(33.4 - 26.7)/33.4 \times 100 = 20\%$	Highest % effect represents most sensitive species ¹
Green Alga	Growth	197.3	170.1	$(197.3 - 170.1)/197.3 \times 100 = 13.8\%$	

¹⁴ Test duration is determined by production of 3rd brood by control and can be between 6 and 8 days

¹⁵ Mixing zones or dilution credits are not authorized for this discharger and 100% effluent will be considered the IWC.

¹⁶ In this example, the water flea represents the most sensitive species. Chronic tests for the water flea shall be conducted as required by measuring and reporting the endpoints for survival and reproduction during the monitoring phase at 100 percent IWC effluent

7. **Quality Assurance and additional Requirements.** Quality assurance measures, instructions, and other recommendations and requirements are found in the test methods manual previously referenced. Additional requirements are below.
- a. The discharge is subject to determination of “Pass” or “Fail” from a chronic toxicity test using the Test of Significant Toxicity (TST) statistical t-test approach described in National Pollutant Discharge Elimination System Test of Significant Toxicity Implementation Document (EPA 833-R-10-003, 2010), Appendix A, Figure A-1 and Table A-1 (Chronic Freshwater and East Coast Methods) and Appendix B, Table B-1.
 - b. The null hypothesis (Ho) for the TST statistical approach is:

Mean discharge IWC response \leq 0.75 x Mean control response.

A test result that rejects this null hypothesis is reported as “Pass”. A test result that does not reject this null hypothesis is reported as “Fail”.
 - c. The relative “Percent Effect” at the discharge IWC is defined and reported as:

Percent Effect = ((Mean control response – Mean discharge IWC response) / Mean control response) x 100

This is a t-test (formally Student’s t-Test), a statistical analysis comparing two sets of replicate observations, i.e., a control and IWC. The purpose of this statistical test is to determine if the means of the two sets of observations are different (i.e., if the IWC or receiving water concentration differs from the control (the test result is “Pass” or “Fail”). The Welch’s t-test employed by the TST statistical approach is an adaptation of Student’s t-test and is used with two samples having unequal variances.
 - d. If the effluent toxicity test does not meet all test acceptability criteria (TAC) specified in the referenced test method in EPA/821-R-02-013 (see Table E-6), then the Discharger must resample and re-test within 14 days.

Table E-6. TAC Specified in EPA/821-R-02-013

Species and EndPoints	EPA/821-R-02-013 Test Method	Test Acceptability Criteria (TAC)
Fathead Minnow <i>Larval Survival and Growth</i>	1000.0, Table 1	80% or greater survival in controls; average dry weight per surviving organism in control chambers equals or exceeds 0.25 mg. (required)
Water Flea <i>Survival and Reproduction</i>	1000.2, Table 3	80% or greater survival of all control organisms and an average of 15 or more young per surviving female in the control solutions. 60% of surviving control females must produce three broods.(required)
Green Algae <i>Growth</i>	1000.3, Table 3	Mean cell density of at least 1 X 10 ⁶ cells/mL in the controls; and variability (CV%) among control replicates less than or equal to 20%. (required)

- e. Dilution water and control water shall be laboratory water prepared and used as specified in the test methods manual. If dilution water and control water is different from test organism culture water, then a second control using culture water shall also be used.

- f. The Discharger shall perform toxicity tests on final effluent samples. Chlorine in the final effluent sample may be removed prior to conducting toxicity tests in order to simulate the dechlorination process at the Facility. However, ammonia shall not be removed from the effluent sample prior to toxicity testing, unless explicitly authorized by the Executive Officer.
 - g. A pH drift during a toxicity test may contribute to artifact toxicity when pH-dependent toxicants (e.g., ammonia, metals) are present in the effluent. To determine whether or not pH drift is contributing to artifact toxicity, the Discharger shall conduct side-by-side toxicity tests as described in Section 11.3.6.1 of Short-term Methods for Estimating the Chronic Toxicity of Effluents and Receiving Waters to Freshwater Organisms (EPA/821/R-02/013, 2002).

Toxicity is confirmed to be an artifact and due to pH drift when no toxicity above the chronic WET permit limit or trigger is observed in the treatments controlled at the pH of the effluent. Upon this confirmation, the Discharger shall request and, upon written approval by the Colorado River Basin Water Board's Executive Officer, the permittee may use the procedures outlined in Section 11.3.6.2 of the chronic freshwater test methods manual to control effluent sample pH during the toxicity test.
8. **Preparation of an Initial Investigation TRE Work Plan.** The Discharger shall review and update the existing TRE work plan to the Colorado River Basin Water Board for approval within 90 days of the effective date of this permit. If the Executive Officer does not disapprove the work plan within 60 days, the work plan shall become effective. The Discharger shall use USEPA manual EPA/833B-99/002 (municipal) as guidance, or most current version. This work plan shall describe the steps that the Discharger intends to follow if toxicity is detected. At minimum, the work plan shall include:
- a. A description of the investigation and evaluation techniques that will be used to identify potential causes and sources of toxicity, effluent variability, and treatment system efficiency.
 - b. A description of the Facility's methods of maximizing in-house treatment efficiency and good housekeeping practices, and a list of all chemicals used in the operation of the Facility; and,
 - c. If a Toxicity Identification Evaluation (TIE) is necessary, an indication of the person who would conduct the TIEs (i.e., an in-house expert or an outside contractor).
9. **Accelerated Monitoring Schedule.** The Discharger shall initiate a TRE to address effluent toxicity if any WET testing results are reported as "Fail" during accelerated monitoring.
- a. **Source of Toxicity is Known**

If the chronic WET testing results are reported as "Fail" and the source of toxicity is known [e.g., a temporary plant upset, ammonia, ionic imbalance or elevated total dissolved solids (TDS)], then the Discharger shall conduct one additional toxicity test. The Discharger shall use the same species and test method that failed the WET test. This toxicity test shall begin within 14 days of receipt of a test result as "Fail". If the additional toxicity test result is reported as "Pass" or it is confirmed that the toxicity is due to temporary plant upset, ammonia, ionic imbalance or elevated TDS, then the Discharger may return to the regular testing frequency.
 - b. **Source of Toxicity is Not Known**

If the chronic WET testing results are reported as “Fail” and the source of toxicity is not known, then the Discharger shall conduct four additional toxicity tests using the same species and test method, approximately every two weeks, over an eight-week period. This testing shall begin within 14 days of receipt of a test result as “Fail.” If none of the additional toxicity tests results are “Fail”, then the Discharger may return to the regular testing frequency.

- c. When the WET testing results are reported as “Fail” during regular chronic toxicity monitoring, and the testing meets all test acceptability criteria, the Discharger shall initiate accelerated monitoring as required in the Accelerated Monitoring Specifications.
 - i. During accelerated monitoring schedules, only TST results (“Pass” or “Fail”, “Percent Effect”) for chronic toxicity tests shall be reported as effluent compliance monitoring results for the chronic toxicity.
 - ii. If the results of four consecutive accelerated monitoring tests result in “Pass”, the Discharger may cease accelerated monitoring and resume regular chronic toxicity monitoring. However, notwithstanding the accelerated monitoring results, if there is adequate evidence of a pattern of effluent toxicity, the Executive Officer may require that the Discharger initiate a TRE.
 - iii. If the source(s) of the toxicity is easily identified (e.g., temporary plant upset), the Discharger shall make necessary corrections to the facility and shall continue accelerated monitoring until four consecutive accelerated tests result in “Pass.” Upon confirmation that the effluent toxicity has been removed, the Discharger may cease accelerated monitoring and resume regular chronic toxicity monitoring.
 - iv. If the result of any accelerated toxicity test results in “Fail”, the Discharger shall cease accelerated monitoring and begin a TRE to investigate the cause(s) of, and identify corrective actions to reduce or eliminate effluent toxicity.
10. **TRE Process.** If the discharge results in “Fail” during accelerated toxicity monitoring established in this Provision, the Discharger is required to initiate a TRE in accordance with an approved TRE Work Plan, and take actions to mitigate the impact of the discharge and prevent recurrence of toxicity and, within 15 days, submit to the Colorado River Basin Water Board a Detailed TRE Work Plan, which shall follow the TRE Work Plan revised as appropriate for this toxicity event.
 - a. **Preparation and Implementation of Detailed TRE Work Plan.** The Discharger shall immediately initiate a TRE developed in accordance with U.S. EPA guidance provided in manuals EPA/600/2-88/070 (industrial) or EPA/833B-99/002 (municipal) and, within 15 days, submit to the Colorado River Basin Water Board a Detailed TRE Work Plan, which shall follow the TRE Work Plan revised as appropriate for this toxicity event. It shall include the following information, and comply with additional conditions set by the Executive Officer:
 - i. Further actions by the Discharger to investigate, identify, and correct the causes of toxicity.
 - ii. Actions the Discharger will take to mitigate the effects of the discharge and prevent the recurrence of toxicity.
 - iii. A schedule for these actions, progress reports, and the final report.
 - b. **Toxicity Investigation Evaluation (TIE) Implementation.** As part of a TRE to identify the causes of toxicity the Discharger shall identify the causes of toxicity

using the same species and test methods and, as guidance, use the procedures recommended by the U.S. EPA which include the following:

- i. *Toxicity Identification Evaluations: Characterization of Chronically Toxic Effluents, Phase I* (EPA/600/6-91/005F, 1992);
- ii. *Methods for Aquatic Toxicity Identification Evaluations: Phase I Toxicity Characterization Procedures* (EPA/600/6-91/003, 1991);
- iii. *Methods for Aquatic Toxicity Identification Evaluations, Phase II Toxicity Identification Procedures for Samples Exhibiting Acute and Chronic Toxicity* (EPA/600/R-92/080, 1993); and
- iv. *Methods for Aquatic Toxicity Identification Evaluations, Phase III Toxicity Confirmation Procedures for Samples Exhibiting Acute and Chronic Toxicity* (EPA/600/R-92/081, 1993).

c. Ammonia, Ionic Imbalances or Elevated TDS Toxicity.

- i. For discharges where ammonia has been identified as a cause of toxicity, the Discharger shall calculate the response threshold on the basis of unionized and total ammonia. The Discharger shall run a parallel test with ammonia in lab water to evaluate if the lab water and the effluent responses are the same (i.e., no matrix effect). In future WET testing, where ammonia toxicity is hypothesized as the cause, the Discharger has the following three options to evaluate whether ammonia is causing the toxicity.
 - (a) If toxicity in lab water is similar to that in the effluent, the Discharger shall conduct a parallel test with ammonia spiked into lab water. Toxicity endpoints are compared on the basis of unionized ammonia. If the endpoints are the same, then the implication is ammonia is responsible for toxicity and no further action is required; or
 - (b) If toxicity in lab water is not similar to that in the effluent, the Discharger shall conduct a parallel test with effluent, maintaining pH at a level that maintains the unionized fraction below the toxic threshold. If no toxicity is observed in the pH controlled sample, then implication is that ammonia is responsible for toxicity and no further action is required; or
 - (c) Without using comparative tests, calculate toxicity in the sample on the basis of unionized ammonia and compare the result to data generated in the TIE; if the results support the hypothesis that ammonia explains toxicity, then no further action is required.
 - (d) However, if ammonia is not identified as the toxicant, the Discharger shall take action as described in Section V.A.9. Accelerated Monitoring Schedule of this MRP.
- ii. For discharges where ionic imbalance or elevated TDS has been identified as a cause of toxicity, the Discharger shall conduct the following concurrent tests to characterize the contribution of ionic imbalance or elevated TDS to effluent toxicity. Based on the test results, toxicity should be either quantitatively recovered in synthetic effluent that mimics ionic imbalance or elevated TDS, or eliminated by adding selected ions to the effluent to address deficiencies. Thus, in future WET testing, where ionic imbalance or elevated TDS is hypothesized as contributing to toxicity, the Discharger has the following two options to evaluate whether ionic imbalance or elevated TDS is causing the toxicity.

- (a) Conducting a parallel test with synthetic effluent that mimics the ionic imbalance or TDS concentration; or
- (b) Conducting a parallel test with effluent spiked with deficient ion(s).

Using these approaches, if ionic imbalance or elevated TDS is shown to account for toxicity, the Discharger shall document the results and findings in the monitoring report and no further testing is required. However, if the parallel tests do not account for toxicity, the Discharger shall take action as described in Section V.A.9. Accelerated Monitoring Schedule of this MRP.

11. **Reporting of Toxicity Monitoring Results.** The Discharger shall submit either a summary page or the full laboratory report for all toxicity testing as an attachment to CIWQS for the reporting period (e.g., monthly, quarterly, semi-annually or annually) and provide the data (i.e., Pass/Fail, Percent Effect) in the PET tool for uploading into CIWQS. The laboratory report shall include:
- a. The valid toxicity test results for the TST statistical approach, reported as “Pass” or “Fail” and “Percent Effect” at the toxicity IWC for the discharge, the dates of sample collection and initiation of each toxicity test, all results for effluent parameters monitored concurrently with the toxicity test(s); and progress reports on TRE investigations.
 - b. The statistical analysis used in *National Pollutant Discharge Elimination System Test of Significant Toxicity Implementation Document* (EPA 833-R-10-003, 2010) Appendix A, Figure A-1 and Table A-1, and Appendix B, Table B-1.
 - c. Statistical program (e.g., TST calculator, CETIS, etc.) output results, including graphical plots, for each toxicity test.
 - d. TRE/TIE results. The Colorado River Basin Water Board shall be notified no later than 30 days from completion of each aspect of TRE/TIE analyses. Prior to the completion of the final TIE/TRE report, the Discharger shall provide status updates in the monthly monitoring reports, indicating which TIE/TRE steps are underway and which steps have been completed.
 - e. Any additional QA/QC documentation or any additional chronic toxicity-related information, upon written request from the Colorado River Basin Water Board.

VI. LAND DISCHARGE MONITORING REQUIREMENTS – NOT APPLICABLE

VII. RECYCLING MONITORING REQUIREMENTS – NOT APPLICABLE

VIII. RECEIVING WATER MONITORING REQUIREMENTS

A. Monitoring Location RSW-001

- 1. The Discharger shall monitor the New River at Monitoring Location RSW-001 as follows. In the event that no receiving water is present at Monitoring Location RSW-001, no receiving water monitoring data are required for Monitoring Location RSW-001.

Table E-7. Receiving Water Monitoring Requirements – RSW-001

Parameter	Units	Sample Type	Minimum Sampling Frequency	Required Analytical Test Method
pH	Standard Units	Grab	1x/Quarter	See Section I.E of the MRP
Temperature	°F	Grab	1x/Quarter	See Section I.E of the MRP
Dissolved Oxygen	mg/L	Grab	1x/Quarter	See Section I.E of the MRP
Total Dissolved Solids	mg/L	Grab	1x/Quarter	See Section I.E of the MRP

Parameter	Units	Sample Type	Minimum Sampling Frequency	Required Analytical Test Method
Total Hardness (as CaCO ₃)	mg/L	Grab	1x/Quarter	See Section I.E of the MRP
Nitrates, as N	mg/L	Grab	1x/Quarter	See Section I.E of the MRP
Nitrites, as N	mg/L	Grab	1x/Quarter	See Section I.E of the MRP
Total Ammonia, as N	mg/L	Grab	1x/Quarter	See Section I.E of the MRP
Total Nitrogen, as N	mg/L	Grab	1x/Quarter	See Section I.E of the MRP
Total Phosphate, as P	mg/L	Grab	1x/Quarter	See Section I.E of the MRP
Ortho-Phosphate, as P	mg/L	Grab	1x/Quarter	See Section I.E of the MRP
Priority Pollutants ¹⁷	µg/L	Grab	1x/Year	See Section I.F of the MRP

B. Monitoring Location RSW-002

1. The Discharger shall monitor the New River at Monitoring Location RSW-002 as follows. In the event that no receiving water is present at Monitoring Location RSW-002, no receiving water monitoring data are required for Monitoring Location RSW-002.

Table E-8. Receiving Water Monitoring Requirements- RSW-002

Parameter	Units	Sample Type	Minimum Sampling Frequency	Required Analytical Test Method
pH	Standard Units	Grab	1x/Quarter	See Section I.E of the MRP
Temperature	°F	Grab	1x/Quarter	See Section I.E of the MRP
Dissolved Oxygen	mg/L	Grab	1x/Quarter	See Section I.E of the MRP
Total Dissolved Solids	mg/L	Grab	1x/Quarter	See Section I.E of the MRP
Nitrates, as N	mg/L	Grab	1x/Quarter	See Section I.E of the MRP
Nitrites, as N	mg/L	Grab	1x/Quarter	See Section I.E of the MRP
Total Ammonia, as N	mg/L	Grab	1x/Quarter	See Section I.E of the MRP
Total Nitrogen as N	mg/L	Grab	1x/Quarter	See Section I.E of the MRP
Total Phosphate, as P	mg/L	Grab	1x/Quarter	See Section I.E of the MRP
Ortho-Phosphate, as P	mg/L	Grab	1x/Quarter	See Section I.E of the MRP

C. Visual Monitoring

1. In conducting the receiving water sampling, a log shall be kept of the receiving water conditions at Monitoring Locations RSW-001 and RSW-002. Notes on receiving water conditions shall be summarized in the monthly monitoring report and when data are submitted electronically via the SMR module in the CIWQS Program, data shall be reported in the “Attachments” section. Attention shall be given to the presence or absence of:
 - a. Floating or suspended matter;
 - b. Discoloration;
 - c. Aquatic life (including plants, fish, shellfish, birds);
 - d. Visible film, sheen, or coating;

¹⁷ All Priority Pollutants as defined by the California Toxics Rule (CTR), codified at 40 C.F.R. section 131.38.

- e. Fungi, slime, or objectionable growths; and
- f. Potential nuisance conditions.

IX. OTHER MONITORING REQUIREMENTS

A. Pretreatment Monitoring

In the event that significant industrial wastewater is being discharged to the wastewater treatment facility, then the Discharger shall provide the Colorado River Basin Water Board with an annual report describing the pretreatment program activities over the previous twelve (12)-month period and it shall include:

1. A summary of actions taken by the Discharger which ensures industrial-user compliance;
2. An updated list of industrial users (by SIC categories) which were issued permits, and/or enforcement orders; and
3. The name and address of each user that received a revised discharge limit.

In the event that an approved pretreatment program is required, the discharge shall submit a pretreatment program submittal to obtain pretreatment approval.

X. REPORTING REQUIREMENTS

A. General Monitoring and Reporting Requirements

The Discharger shall comply with all Standard Provisions (Attachment D) related to monitoring, reporting, and recordkeeping.

1. The Discharger shall report the results of chronic toxicity testing, TRE, as required in section V, "Effluent Toxicity Testing".
2. The results of any analysis taken more frequently than required using analytical methods, monitoring procedures and performed at the locations specified in this MRP shall be reported to the Colorado River Basin Water Board.
3. The Discharger shall ensure laboratory analytical results are consistent with the requirements contained in 40 C.F.R. part 136 with regard to significant figures. 40 C.F.R. part 136 specifies for some analytical methods, the number of significant figures to which measurements are made.

B. Electronic Self-Monitoring Reports (eSMRs)

1. The Discharger shall electronically submit SMRs using the State Water Board's California Integrated Water Quality System (CIWQS) Program website (<http://www.waterboards.ca.gov/ciwqs/index.html>). The CIWQS website will provide additional information for eSMR submittal in the event there will be a planned service interruption for electronic submittal.
2. The Discharger shall maintain sufficient staffing and resources to ensure it submits eSMRs for the duration of the term of this permit including any administrative extensions. This includes provision of training and supervision of individuals (e.g., Discharger personnel or consultant) on how to prepare and submit eSMRs.
3. The Discharger shall report in the SMR the results for all monitoring specified in this MRP under sections III through IX. The Discharger shall submit monthly, quarterly, and annual eSMRs including the results of all required monitoring using U.S. EPA-approved test methods or other test methods specified in this Order. SMRs are to include all new monitoring results obtained since the last eSMR was submitted. If the Discharger monitors any pollutant more frequently than required by this Order, the results of this

monitoring shall be included in the calculations and reporting of the data submitted in the eSMR.

4. Monitoring periods and reporting for all required monitoring shall be completed according to the following schedule:

Table E-9. Monitoring Periods and Reporting Schedule

Sampling Frequency	Monitoring Period Begins On...	Monitoring Period	SMR Due Date
Continuous	December 1, 2017	All	Submit with monthly eSMR
Daily 1x/Day	December 1, 2017	(Midnight through 11:59 PM) or any 24-hour period that reasonably represents a calendar day for purposes of sampling.	Submit with monthly eSMR
Weekly 1x/Week	December 1, 2017	Sunday through Saturday	Submit with monthly eSMR
5x/Month	December 1, 2017	Sunday through Saturday	Submit with monthly eSMR
Monthly 1x/Month	December 1, 2017	1 st day of calendar month through last day of calendar month	First day of second month from end of monitoring period
Quarterly 1x/Quarter 4x/Year	December 1, 2017	January 1 through March 31 April 1 through June 30 July 1 through September 30 October 1 through December 31	May 1 August 1 November 1 February 1
Annually 1x/Year	December 1, 2017	January 1 through December 31	March 1

5. **Reporting Protocols.** The Discharger shall follow the procedure in 40 C.F.R. part 136 when reporting the results of analytical determinations of chemical constituents in a sample. Further, the Discharger shall use the following reporting protocol:
 - a. Sample results greater than or equal to the RL shall be reported as measured by the laboratory (i.e., the measured chemical concentration in the sample). For reporting concentration and calculated values in the PET tool follow these instructions:
 - i. Reporting Concentration - Under the "Qualifier" column select "=" and under the "Result" column report the result (concentration).
 - ii. Reporting Calculated Values - Under the "Qualifier" column select "=" and under the "Result" column report the result (calculated value).
 - b. Sample results less than the RL, but greater than or equal to the laboratory's MDL, shall be reported under the "Qualifier" column as "DNQ" (Detected, but Not Quantified). For the purposes of data collection, the laboratory shall write the estimated chemical concentration under the "Result" column next to DNQ. The laboratory may, if such information is available, include numerical estimates of the data quality for the reported result. Numerical estimates of data quality may be percent accuracy (\pm a percentage of the reported value), numerical ranges (low to high), or any other means considered appropriate by the laboratory. For reporting concentration and calculated values in the PET tool follow these instructions:
 - i. Reporting Concentration – Under the "Qualifier" column select "DNQ", under the "Result" column report the estimated chemical concentration. In addition,

- the MDL shall be reported under the “MDL” column and the ML shall be reported under the “ML” column.
- ii. Reporting Calculated Values – Under the “Qualifier” column select “<”, under the “Result” column report the calculated value or in the case of mass loading report the average monthly effluent limitation for mass loading.
- c. Sample results less than the laboratory’s MDL shall be reported as “ND” (Not Detected). For reporting concentration and calculated values in the PET tool follow these instructions:
 - i. Reporting Concentration – Under the “Qualifier” column select “ND” and report the MDL under the “MDL” column.
 - ii. Reporting Calculated Values - Under the “Qualifier” column select “<”, under the “Result” column report the calculated value (Flow, MGD x 8.34 x MDL (use correct units)) or in the case of mass loading report the average monthly effluent limitation for mass loading.
 - d. Dischargers are to instruct laboratories to establish calibration standards so that the ML value (or its equivalent if there is differential treatment of samples relative to calibration standards) is the lowest calibration standard. At no time is the Discharger to use analytical data derived from extrapolation beyond the lowest point of the calibration curve.
6. **Multiple Sample Data:** If the Permit contains an AMEL, AWEL and MDEL for pollutants and more than one sample result is available, the Discharger shall compute the arithmetic mean unless the data set contains one or more reported determinations of “Detected, but Not Quantified” (DNQ) or “Not Detected” (ND). In those cases, the Discharger shall compute the median in place of the arithmetic mean in accordance with the following procedure:
- a. The data set shall be ranked from low to high, ranking the reported ND determinations lowest, DNQ determinations next, followed by quantified values (if any). The order of the individual ND or DNQ determinations is unimportant.
 - b. The median value of the data set shall be determined. If the data set has an odd number of data points, then the median is the middle value. If the data set has an even number of data points, then the median is the average of the two values around the middle unless one or both of the points are ND or DNQ, in which case the median value shall be the lower of the two data points where DNQ is lower than a value and ND is lower than DNQ.
7. The Discharger shall submit eSMRs in accordance with the following requirements:
- a. The Discharger shall arrange all reported data in a tabular format. The data shall be summarized to clearly illustrate whether the facility is operating in compliance with interim and/or final effluent limitations. The Discharger is not required to duplicate the submittal of data that is entered in a tabular format within CIWQS. When CIWQS does not provide for entry into a tabular format within the system, the Discharger shall electronically submit the data in a tabular format as an attachment.
 - b. The Discharger shall attach a cover letter to the eSMR. The information contained in the cover letter shall clearly identify violations of the WDRs; discuss corrective actions taken or planned; and the proposed time schedule for corrective actions. Identified violations must include a description of the requirement that was violated and a description of the violation. In addition, the Discharger shall add these violations into CIWQS.

- c. The Discharger shall upload the Whole Effluent Toxicity Test result page or entire report for the reporting period under the attachment tab for the reporting period.
- d. The Discharger shall upload the laboratory reports for the analysis of the priority pollutant for the reporting period under the attachment tab for the reporting period. The Discharger shall evaluate the results with the criteria and notify the Colorado River Basin Regional Board of any exceedance of the criteria.

C. Discharge Monitoring Reports (DMRs)

- 1. DMRs are U.S. EPA reporting requirements. The Discharger shall electronically certify and submit DMRs together with SMRs using Electronic Self-Monitoring Reports module eSMR 2.5 or any upgraded version. Electronic DMR submittal shall be in addition to electronic SMR submittal. Information about electronic DMR submittal is available at the DMR website at:
http://www.waterboards.ca.gov/water_issues/programs/discharge_monitoring.

D. Other Reports

- 1. The Discharger shall report the results of any special studies required by Special Provisions – VI.C.2 of this Order. The Discharger shall report the progress in satisfaction of compliance schedule dates specified in Special Provisions – VI.C.7 of this Order.
- 2. The Discharger shall submit reports with the eSMR scheduled to be submitted on or immediately following the report due date.
- 3. **Operations and Maintenance Report.** The Discharger shall report the following as shown in Table E-10:

Table E-10. Operations and Maintenance Report

Activity	Reporting Frequency
To inspect and document the operation and maintenance of the UV disinfection system, including but not limited to, inspection, cleaning, and bulb replacement. The Discharger shall provide a certification statement in the annual report that inspections and documentation of inspections and operations/maintenance problems have been completed.	1x/ Year
To inspect and document any operation/maintenance problems by inspecting each unit process. The Discharger shall provide a certification statement in the annual report that inspections and documentation of inspections and operations/maintenance problems have been completed.	1x/Year
Calibration of flow meters and mechanical equipment shall be performed in a timely manner and documented. The Discharger shall provide a certification statement in the annual report that the calibration of flow meters and mechanical equipment has been conducted and documentation of such calibrations is maintained.	1x/Year
The Discharger shall maintain documentation of all logbooks (operation and maintenance), chain of custody sheets, laboratory and sampling activities as stated in Standard Provisions sections IV and V (Attachment D). The Discharger shall provide a certification statement in the annual report that maintenance of logbooks, chain of custody sheets, and laboratory and sampling activities as required is being implemented.	1x/Year
The Discharger shall conduct an annual review and evaluation of priority pollutant sampling results collected each year to evaluate the impact on surface water quality, and provide this evaluation in the annual report.	1x/Year

ATTACHMENT F – FACT SHEET

Contents

I. Permit Information.....	F-3
II. Facility Description.....	F-4
A. Description of Wastewater Treatment System	F-4
B. Discharge Points and Receiving Waters	F-5
C. Summary of Historic Requirements and Self-Monitoring Report (SMR) Data	F-5
D. Past Compliance Summary	F-8
E. Planned Changes	F-10
III. Applicable Plans, Policies, and Regulations	F-10
A. Legal Authorities	F-10
B. California Environmental Quality Act (CEQA).....	F-10
C. State and Federal Laws, Regulations, Policies, and Plans	F-11
D. Impaired Water Bodies on CWA 303(d) List.....	F-13
E. Other Plans, Policies, and Regulations	F-13
IV. Rationale For Effluent Limitations and Discharge Specifications.....	F-13
A. Discharge Prohibitions.....	F-14
B. Technology-Based Effluent Limitations	F-14
1. Scope and Authority	F-14
2. Applicable Technology-Based Effluent Limitations	F-15
C. Water Quality-Based Effluent Limitations (WQBELs).....	F-17
1. Scope and Authority	F-17
2. Applicable Beneficial Uses and Water Quality Criteria and Objectives.....	F-17
3. Determining the Need for WQBELs	F-18
4. WQBEL Calculations.....	F-19
5. Summary of Water Quality-based Effluent Limitations	F-23
D. Final Effluent Limitation Considerations	F-24
1. Anti-Backsliding Requirements	F-24
2. Anti-degradation Policies	F-24
3. Stringency of Requirements for Individual Pollutants.....	F-25
E. Interim Effluent Limitations – Not Applicable	F-25
F. Final Effluent Limitations.....	F-25
G. Land Discharge Specifications – Not Applicable	F-27
H. Recycling Specifications – Not Applicable.....	F-27
V. Rationale for Receiving Water Limitations	F-27
A. Surface Water.....	F-27
B. Groundwater – Not Applicable.....	F-28
VI. Rationale for Provisions	F-28
A. Standard Provisions.....	F-28
B. Special Provisions	F-28
1. Reopener Provisions	F-28
2. Special Studies and Additional Monitoring Requirements.....	F-28
3. Best Management Practices and Pollution Prevention	F-29
4. Construction, Operation, and Maintenance Specifications.....	F-29
5. Special Provisions for Municipal Facilities (POTWs Only)	F-29
6. Other Special Provisions	F-29
7. Special Provisions Reporting Schedules.....	F-30
VII. Rationale for Monitoring and Reporting Requirements	F-30
A. Influent Monitoring	F-30

B.	Effluent Monitoring.....	F-30
C.	Whole Effluent Toxicity Testing Requirements.....	F-30
D.	Receiving Water Monitoring.....	F-31
	1. Surface Water.....	F-31
	2. Groundwater - Not Applicable.....	F-31
VIII.	Public Participation.....	F-31
A.	Notification of Interested Parties.....	F-32
B.	Written Comments.....	F-32
C.	Public Hearing.....	F-32
D.	Reconsideration of Waste Discharge Requirements.....	F-32
E.	Information and Copying.....	F-33
F.	Register of Interested Persons.....	F-33
G.	Additional Information.....	F-33

Tables

Table F-1.	Facility Information.....	F-3
Table F-2.	Historic Effluent Limitations and Monitoring Data.....	F-5
Table F-3.	Effluent Characteristics.....	F-8
Table F-4.	Violations Report Summary- bis(2-ethylhexyl) phthalate, BOD ₅ and TSS.....	F-9
Table F-5.	Violations Report Summary-Bacterial Indicators.....	F-10
Table F-6.	Basin Plan Beneficial Uses.....	F-11
Table F-7.	Summary of Technology-based Effluent Limitations.....	F-16
Table F-8.	Basis for Limitations.....	F-16
Table F-9.	Applicable Beneficial Uses and Water Quality Criteria and Objectives.....	F-17
Table F-10.	Summary of Reasonable Potential Analysis.....	F-18
Table F-11.	Summary of Water Quality-based Effluent Limitations.....	F-23
Table F-12.	Summary of Final Effluent Limitations.....	F-26

ATTACHMENT F – FACT SHEET

As described in section II.D of this Order, the Colorado River Basin Water Quality Control Board (Colorado River Basin Water Board) incorporates this Fact Sheet as findings of the Colorado River Basin Water Board supporting the issuance of this Order. This Fact Sheet includes the legal requirements and technical rationale that serve as the basis for the requirements of this Order.

This Order has been prepared under a standardized format to accommodate a broad range of discharge requirements for dischargers in California. Only those sections or subsections of this Order that are specifically identified as “not applicable” have been determined not to apply to this Discharger. Sections or subsections of this Order not specifically identified as “not applicable” are fully applicable to this Discharger.

I. PERMIT INFORMATION

The following table summarizes administrative information related to the facility.

Table F-1. Facility Information

WDID	7A 33 0111 013
Discharger	Seeley County Water District
Name of Facility	Seeley County Wastewater Treatment Plant
Facility Address	1898 West Main Street Seeley, CA 92273 Imperial County
Legally Responsible Official	John Kemp, Supervisor/Consultant, (575) 494-4649, jhkconsult@gmail.com
Facility Contact, Title and Phone	John Kemp, Supervisor/Consultant, (575) 494-4649, jhkconsult@gmail.com Aaron Garcia, Maintenance Manager, (760) 332-9059, agarcia@seeleywaterdistrict.com
Authorized Person to Sign and Submit Reports	John Kemp, Supervisor/Consultant, (575) 494-4649, jhkconsult@gmail.com
Mailing Address	P.O. Box 161 Seeley, CA 92273
Billing Address	SAME
Type of Facility	Publicly Owned Treatment Works (POTW)
Major or Minor Facility	Minor
Threat to Water Quality	2
Complexity	B
Pretreatment Program	N
Recycling Requirements	None
Facility Permitted Flow	0.25 million gallons per day (MGD)
Facility Design Flow	0.25 MGD
Watershed	Imperial Hydrologic Unit
Receiving Water	An unnamed tributary to the New River
Receiving Water Type	Agricultural Drain immediately tributary to a Stream/River

- A.** The Seeley County Water District (hereinafter Discharger) is the owner and operator of the Seeley County Wastewater Treatment Plant (hereinafter Facility), a POTW.

For the purposes of this Order, references to the “Discharger” or “Permittee” in applicable federal and state laws, regulations, plans, or policy are held to be equivalent to references to the Discharger herein.

- B.** The Facility discharges wastewater to the New River via an unnamed tributary, a water of the United States. The Discharger was previously regulated by Order R7-2012-0011 and National Pollutant Discharge Elimination System (NPDES) Permit No. CA0105023 which was adopted on September 20, 2012. The NPDES Permit was scheduled to expire on September 30, 2017, but the permit requirements are extended administratively until the adoption of the renewal of the Permit. Attachment B provides a map of the area around the Facility. Attachment C provides a flow schematic of the Facility.
- C.** The Discharger filed a report of waste discharge and submitted an application for reissuance of its WDRs and NPDES permit on March 28, 2017. The application was deemed complete on July 17, 2017. A site visit was conducted on January 25, 2017 to observe operations and collect additional data to develop permit limitations and requirements for waste discharge.

II. FACILITY DESCRIPTION

The Discharger owns and operates a wastewater collection, treatment, and disposal system (the Facility) and provides service to a population of approximately 2,100 located in the town of Seeley. The permitted maximum daily flow limitation is equal to the design capacity of the wastewater treatment plant which is 0.25 MGD and is located in the NE $\frac{1}{4}$ of the NW $\frac{1}{4}$ of Section 11, T16S, R12E, SBB&M. The discharge consists of disinfected equivalent to secondary treated wastewater.

A. Description of Wastewater Treatment System

The current treatment system consists of flow equalization, grinding, oxidation pond treatments through a Clemson aerated pond system consisting of five ponds with surface aerators, sand filtration, and disinfection using an ultraviolet (UV) disinfection system. The collection system provides conveyance of raw wastewater to the treatment facility. The wastewater collection system contains one lift station at the headworks of the wastewater treatment plant. Following installation of the Clemson process facilities in 2004, one of the original 2.4-acre lagoons was retrofitted to a primary oxidation pond and used as an equalization basin prior to entry into the Clemson system (comprised of ponds, or reaction basins). Wastewater first enters the primary oxidation pond, currently reported to remove approximately 40 percent of the influent BOD₅ and TSS. Flow from the primary oxidation pond then enters Clemson Pond #1.

Each Clemson pond/reaction basin is equipped with a surface aerator. Removal and stabilization of organic matter takes place in the reaction basins, Clemson Ponds #1 and #2, through biological oxidation and reduction reactions that generate biomass. The biomass is then separated by gravity sedimentation in the last 3 ponds, Ponds #3, #4, and #5. The secondary effluent is then filtered by three pressurized granular media filters and disinfected via UV light. Following UV disinfection, the treated effluent is discharged to the New River, via an unnamed tributary. The Facility maintains two UV disinfection units, reserving one unit as a back-up unit.

The Discharger dredged Clemson Ponds #1 and #2 to remove sludge that had built up on the pond floor. The sludge was placed into an empty oxidation pond for solar drying. During the site visit conducted in January, 2017, the Discharger stated that they initiated the Clemson Pond dredging approximately 18 months prior.

Wastewater is discharged from Discharge Point 001 (see table on cover page) to an unnamed tributary to the New River, a water of the United States.

B. Discharge Points and Receiving Waters

Final effluent is discharged through Discharge Point 001 at Latitude 32° 47' 45" North and Longitude 115° 42' 10" West, to an unnamed tributary to the New River.

C. Summary of Historic Requirements and Self-Monitoring Report (SMR) Data

Effluent limitations contained in the existing Order R7-2012-0011 for discharges from Discharge Point 001 (Monitoring Location EFF-001) and representative monitoring data from the term of the previous Order are as follows in Table F-2:

Table F-2. Historic Effluent Limitations and Monitoring Data

Parameter	Units	Effluent Limitation	Effluent Limitation	Effluent Limitation	Monitoring Data (From October 2012 – March 2017)	Monitoring Data (From October 2012 – March 2017)	Monitoring Data (From October 2012 – March 2017)
--	---	Average Monthly	Average Weekly	Maximum Daily	Highest Average Monthly Discharge	Highest Average Weekly Discharge	Highest Daily Discharge
Flow	MGD	0.25	---	---	0.1535	---	0.9029
Biochemical Oxygen Demand (BOD) (5 day @ 20 Deg. C)	mg/L	45	65	---	18.4	137.6 ¹	---
Biochemical Oxygen Demand (BOD) (5 day @ 20 Deg. C)	lbs/day	94	140	---	17.7	140.9	---
Removal Efficiency for CBOD	%	65	---	---	70.7 ²	---	---
Total Suspended Solids (TSS)	mg/L	48	73	---	35.7	97.6 ³	---
Total Suspended Solids (TSS)	lbs/day	100	152	---	28.2	113	---
Oil and Grease	mg/L	---	---	25	---	---	221 ⁴
Oil and Grease	lbs/day	---	---	52	---	---	157 ⁵

¹ This value (February 16, 2017) represents an exceedance of the permit limitation. The Discharger exceeded this effluent limitation nine times during the permit term; reported values greater than the effluent limitation ranged from 70.8–137.6 mg/L (occurred during 2016–2017).

² This value represents the lowest reported value of the minimum percent removal of BOD.

³ This value (April 18, 2015) represents an exceedance of the permit limitation. The Discharger exceeded this effluent limitation seven times during the permit term; reported values greater than the effluent limitation ranged from 75–97.6 mg/L (occurred during 2015–2016)

⁴ This value (December 17, 2014) is the only value reported as above method detection limits; the remaining two values reported to CIWQS were reported as non-detect

⁵ This value was not reported in CIWQS, but was calculated from effluent discharge concentration and flow reported for the date (December 17, 2014)

Parameter	Units	Effluent Limitation	Effluent Limitation	Effluent Limitation	Monitoring Data (From October 2012 – March 2017)	Monitoring Data (From October 2012 – March 2017)	Monitoring Data (From October 2012 – March 2017)
--	---	Average Monthly	Average Weekly	Maximum Daily	Highest Average Monthly Discharge	Highest Average Weekly Discharge	Highest Daily Discharge
pH	---	---	---	6.0 – 9.0 ⁶	---	---	5.91 – 9.28 ⁷
Escherichia coli (<i>E. coli</i>)	MPN/100 mL	126 ⁷	---	400 ⁸	206.2 ⁹	---	2,419.2 ⁹
Enterococci	MPN/100 mL	33 ⁸	---	100 ¹⁰	246.3 ⁹	---	1,600 ⁹
Fecal Coliform	MPN/100 mL	200 ⁸	---	400 ¹¹	787.1 ⁹	---	1,600 ⁹
Zinc, Total Recoverable	µg/L	163	---	328	190 ¹²	---	190
Zinc, Total Recoverable	lbs/day	0.34	--	0.68	0.2554 ¹³	---	0.2554 ¹⁴
Free Cyanide	µg/L	4.3	---	8.5	40 ¹⁵	---	40
Free Cyanide	lbs/day	0.0090	---	0.018	0.0377 ¹⁶	---	0.0377 ¹⁴
Bis(2-ethylhexyl)Phthalate	µg/L	5.9	---	12	335 ¹⁷	---	335 ¹⁷

⁶ This range represents the instantaneous minimum and maximum pH limitations, respectively

⁷ This range of reported pH values indicates the discharge violated pH effluent limitations. The Discharger reported two values below 6.0 s.u. (5.91 on December 2, 2015 and 5.94 on December 21, 2015) and one value above 9.0 s.u. (July 15, 2015)

⁸ This effluent limitation is expressed as a geometric (or log) mean, based on a minimum of not less than five samples for any 30-day period.

⁹ Refer to section II.D for a detailed discussion of compliance with bacteria effluent limitations

¹⁰ This effluent limitation is expressed as a maximum single sample value

¹¹ No more than ten percent of the total fecal coliform samples collected during any 30-day period shall exceed a MPN of 400 per 100 milliliters

¹² This value (February 13, 2017) represents an exceedance of the permit limitation. This is the only value reported greater than the effluent limitation during the permit term

¹³ A review of self-monitoring discharge data in the California Integrated Water Quality System (CIWQS) revealed the Discharger incorrectly calculated mass emission rates for Zinc on seven occasions during 2014–2016. It appears the Discharger calculated mass emission rates using the following equation: concentration (µg/L) * flow (MGD) * 8.34

¹⁴ The Discharger did not report mass emission as a daily discharge value for zinc and cyanide. However, Board Order R7-2012-0011 requires the Discharger to monitor monthly for these parameters. Therefore, the highest average monthly mass emission for these parameters would also represent the highest daily mass emissions

¹⁵ This value represents a violation of the average monthly effluent limitation for free cyanide. The Discharger exceeded this effluent limitation eight times during the permit term; reported values greater than the effluent limitation ranged from 5–40 µg/L (occurred during 2014–2017, with six occurrences during 2016)

¹⁶ This value (December 7, 2016) represents an exceedance of the permit limitation. The Discharger exceeded this effluent limitation three times during the permit term; reported values greater than the effluent limitation ranged from 0.009 lbs/day to 0.0216 lbs/day)

¹⁷ This value (April 7, 2015) is the maximum value reported as above method detection limits; two other values were reported to CIWQS as above method detection limits (5.9 µg/L on March 24, 2015 and 0.007 µg/L on July 31, 2013). All other monthly monitoring results were reported as non-detect

Parameter	Units	Effluent Limitation	Effluent Limitation	Effluent Limitation	Monitoring Data (From October 2012 – March 2017)	Monitoring Data (From October 2012 – March 2017)	Monitoring Data (From October 2012 – March 2017)
--	---	Average Monthly	Average Weekly	Maximum Daily	Highest Average Monthly Discharge	Highest Average Weekly Discharge	Highest Daily Discharge
Bis(2-ethylhexyl)Phthalate	lbs/day	0.012	---	0.025	0.169 ¹⁸	---	0.169 ¹⁸
Total Ammonia as N	mg/L	---	---	---	---	---	---
Nitrates as Nitrogen (N)	mg/L	---	---	---	---	---	---
Nitrites as N	mg/L	---	---	---	---	---	---
Total Nitrogen	mg/L	---	---	---	---	---	---
Total Phosphate as Phosphorus (P)	mg/L	---	---	---	---	---	---
Ortho-Phosphate as P	mg/L	---	---	---	---	---	---
Total Dissolved Solids (TDS)	mg/L	---	---	9	---	---	---
Temperature	°F	---	---	---	---	---	---
Hardness	mg/L	---	---	---	---	---	---
Dissolved Oxygen	mg/L	---	---	---	---	---	---
Turbidity	NTU	---	---	---	---	---	---
Acute Toxicity	TU _a	10	---	---	Not Available	Not Available	Not Available
Chronic Toxicity – Survival & Reproduction (<i>Ceriodaphnia dubia</i>)	TU _c	10	---	---	1	---	---
Chronic Toxicity – Growth (<i>Selenastrum capricornutum</i>)	TU _c	10	---	---	4 ¹¹	---	---

¹⁸ This value was reported incorrectly in CIWQS; the value originally reported in CIWQS was 169.3 lbs/day. The value presented in the table above (0.169 lbs/day) was calculated from the effluent discharge concentration and flow reported for the date (April 7, 2015). Additional mass emission values were incorrectly reported in CIWQS for free cyanide, due to improper calculations to convert the concentration discharged to a mass emission value (i.e., 6.4 lbs/day on March 24, 2015 and 0.3247 lbs/day on March 1, 2016)

Parameter	Units	Effluent Limitation	Effluent Limitation	Effluent Limitation	Monitoring Data (From October 2012 – March 2017)	Monitoring Data (From October 2012 – March 2017)	Monitoring Data (From October 2012 – March 2017)
--	---	Average Monthly	Average Weekly	Maximum Daily	Highest Average Monthly Discharge	Highest Average Weekly Discharge	Highest Daily Discharge
Chronic Toxicity – Survival and Growth (<i>Pimephales promelas</i>)	TU _c	10	---	---	1	---	---

The ROWD described the existing discharge as follows:

Annual Average Effluent Flow – 0.13 MGD

Maximum Daily Effluent Flow – 0.56 MGD

Average Daily Effluent Flow – 0.15 MGD

Table 3 presents the effluent characteristics reported in the ROWD and EPA Form 2A.

Table F-3. Effluent Characteristics

Parameter	Units	Maximum Daily	Average Daily
pH (Minimum)	s.u.	6.15	---
pH (Maximum)	s.u.	6.37	---
Temperature (Winter)	°F	61.9	43.1
Temperature (Summer)	°F	91.4	83.8
BOD ₅ (EFF-001)	mg/L	137.62	64.6
TSS (EFF-001)	mg/L	53	32
Fecal Coliform	MPN/100 ml	240	100.6
Ammonia as Nitrogen	mg/L	1.68	1.12
Dissolved Oxygen	mg/L	7.66	6.65
Total Kjeldahl Nitrogen	mg/L	2.8	2.24
Nitrate+Nitrite (as Nitrogen)	mg/L	24.1	9.81
Oil and Grease	mg/L	2.6	1.3
Phosphorus	mg/L	27.1	16.1
Total Dissolved Solids	mg/L	1,210	1,176

D. Past Compliance Summary

The available effluent monitoring data indicate that the Discharger has had several effluent limitation violations for bacterial indicators, bis (2-ethylhexyl) phthalate, TSS, and BOD₅.

A review of the available effluent monitoring data, submitted in the Discharger's Self-Monitoring Reports, reported above effluent limitations is summarized below:

Table F-4. Violations Report Summary- bis(2-ethylhexyl) phthalate, BOD₅ and TSS

Date of Exceedance	Limit Basis	Parameter	Permit Limitations	Reported Value	Units
3/9/2017	Average Weekly	BOD ₅	65	70.75	mg/L
3/2/2017	Average Weekly	BOD ₅	65	104.85	mg/L
2/16/2017	Average Weekly	BOD ₅	65	137.62	mg/L
2/9/2017	Average Weekly	BOD ₅	65	76.81	mg/L
1/26/2017	Average Weekly	BOD ₅	65	86.92	mg/L
1/19/2017	Average Weekly	BOD ₅	65	104.25	mg/L
12/27/2016	Average Weekly	BOD ₅	65	112.8	mg/L
12/19/2016	Average Weekly	BOD ₅	65	74.4	mg/L
2/16/2016	Average Weekly	BOD ₅	65	91	mg/L
2/16/2016	Average Weekly	TSS	73	91	mg/L
9/8/2015	Maximum Daily	Bis(2-ethylhexyl)Phthalate	12	335	µg/L
9/8/2015	Average Monthly	Bis(2-ethylhexyl)Phthalate	5.9	335	µg/L
2/16/2016	Average Weekly	TSS	73	91	mg/L
9/2/2015	Average Weekly	TSS	73	84	mg/L
7/27/2015	Average Weekly	TSS	73	76	mg/L
5/23/2015	Average Weekly	TSS	73	80	mg/L
4/30/2015	Average Weekly	TSS	73	75.5	mg/L
4/18/2015	Average Weekly	TSS	73	97.6	mg/L
4/11/2015	Average Weekly	TSS	73	75	mg/L
4/7/2015	Maximum Daily	Bis(2-ethylhexyl)Phthalate	12	335	µg/L
4/7/2015	Average Monthly	Bis(2-ethylhexyl)Phthalate	5.9	335	µg/L

The Discharger has offered corrective actions in response to the effluent limitation violations for TSS and BOD₅; noting that violations occurred because of inadequate detention time in treatment ponds, along with ensuring that wastewater is directed through the entire pond treatment system for full treatment.

Table F-5. Violations Report Summary-Bacterial Indicators

Date of Exceedance	Permit Limitation (MPN/100 ml)	Reported Value (MPN/100 ml)
<i>E. coli</i>	---	---
1/31/2016	126 (Geometric Mean)	206.2
1/5/2016	400 (Maximum)	517.2
11/4/2015	400 (Maximum)	2,419.2
Enterococci	---	---
12/31/2016	33 (Geometric Mean)	59.7
2/29/2016	33 (Geometric Mean)	162.4
1/31/2016	33 (Geometric Mean)	246.3
12/27/2016	100 (Maximum)	240
12/20/2016	100 (Maximum)	240
12/19/2016	100 (Maximum)	220
2/23/2016	100 (Maximum)	240
2/16/2016	100 (Maximum)	900
2/9/2016	100 (Maximum)	1600
1/26/2016	100 (Maximum)	387.3
1/19/2016	100 (Maximum)	172.2
1/5/2016	100 (Maximum)	1600
11/4/2015	100 (Maximum)	1600
12/23/2014	100 (Maximum)	220
10/30/2012	100 (Maximum)	300
Fecal Coliform	---	---
12/31/2016	200 (Log Mean)	234.3
1/31/2016	200 (Log Mean)	787.1
12/27/2016	400 (Maximum)	1600
12/20/2016	400 (Maximum)	1600
4/28/2016	400 (Maximum)	900
1/26/2016	400 (Maximum)	500
1/5/2016	400 (Maximum)	1600
11/4/2015	400 (Maximum)	1600
12/23/2014	400 (Maximum)	500
10/30/2012	400 (Maximum)	1600

The Discharger reported that effluent limitation violations for bacterial indicators may be corrected with altering treatment plant operations, including the frequency of filter backwashes, UV system sleeve cleanings, and using copper sulfate in the treatment process.

E. Planned Changes

The Discharger indicated during the permitting site visit conducted January 25, 2017, that there are no planned changes for the facility during the upcoming permit term.

III. APPLICABLE PLANS, POLICIES, AND REGULATIONS

The requirements contained in this Order are based on the requirements and authorities described in this section.

A. Legal Authorities

This Order serves as WDRs pursuant to article 4, chapter 4, division 7 of the California Water Code (commencing with section 13260). This Order is also issued pursuant to section 402 of the federal Clean Water Act (CWA) and implementing regulations adopted by the U.S. EPA and chapter 5.5, division 7 of the Water Code (commencing with section 13370). It shall serve as an NPDES permit for point source discharges from this facility to surface waters.

B. California Environmental Quality Act (CEQA)

This Order serves as both an NPDES permit for discharges subject to the Clean Water Act and as WDRs for discharges subject to the California Water Code. Under Water Code section 13389, this action to adopt an NPDES permit is exempt from the provisions of Chapter 3 of CEQA, (commencing with section 21100) of Division 13 of the Public Resources Code. Under section 15301 of Title 14 of the CCRs, the Colorado River Basin Water Board's action in approving those parts of the Order that implement state law are exempt from CEQA as an existing facility with no expansion of use beyond that existing at the time of the lead agency's determination.

C. State and Federal Laws, Regulations, Policies, and Plans

1. **Water Quality Control Plan.** The Water Quality Control Plan for the Colorado River Basin (hereinafter Basin Plan), which was adopted on November 17, 1993, and amended on March 7, 2017, designates beneficial uses, establishes water quality objectives, and contains implementation programs and policies to achieve those objectives for all waters addressed through the plan (including amendments adopted by the Colorado River Basin Water Board to date). In addition, the Basin Plan implements State Water Board Resolution No. 88-63, which established state policy that all waters, with certain exceptions, should be considered suitable or potentially suitable for municipal or domestic supply. Consistent with this state policy, effluent limitations specified in this Order protect existing and potential beneficial uses of the receiving water, which are described in Table F-6:

Table F-6. Basin Plan Beneficial Uses

Discharge Point	Receiving Water Name	Beneficial Use(s)
001	New River (via an unnamed tributary)	<p><u>Existing:</u> Fresh Water Replenishment (FRSH); Water Contact Recreation (REC-I)¹⁹; Non-Contact Water Recreation (REC-II); Warm Freshwater Habitat (WARM); Wildlife Habitat (WILD); and Support of Rare, Threatened, or Endangered Species (RARE)²⁰.</p> <p><u>Potential:</u> Industrial Service Supply (IND)</p>

2. **Thermal Plan.** The State Water Board adopted the Water Quality Control Plan for Control of Temperature in the Coastal and Interstate Waters and Enclosed Bays and Estuaries of California (Thermal Plan) on January 7, 1971, and amended this plan on September 18, 1975. This plan contains temperature objectives for surface waters. The Thermal Plan does not apply these objectives to the unnamed tributary to the New River, a slough.
3. **National Toxics Rule (NTR) and California Toxics Rule (CTR).** U.S. EPA adopted the NTR on December 22, 1992, and later amended it on May 4, 1995 and November 9, 1999. About forty criteria in the NTR applied in California. On May 18, 2000, U.S. EPA adopted the CTR. The CTR promulgated new toxics criteria for California and, in

¹⁹ Although some fishing occurs in the downstream reaches, the presently contaminated water in the river makes it unfit for any recreational use. An advisory has been issued by the Imperial County Health Department warning against the consumption of any fish caught from the river and the river has been posted with advisories against any body contact with the water

²⁰ Rare, endangered, or threatened wildlife exists in or utilizes some of these waterway(s). If the RARE beneficial use may be affected by a water quality control decision, responsibility for substantiation of the existence of rare, endangered, or threatened species on a case-by case basis is upon the California Department of Fish and Game on its own initiative and/or at the request of the Colorado River Basin Water Board; and such substantiation must be provided within a reasonable time frame as approved by the Colorado River Basin Water Board

addition, incorporated the previously adopted NTR criteria that were applicable in the state. The CTR was amended on February 13, 2001. These rules contain federal water quality criteria for priority pollutants.

4. **State Implementation Policy.** On March 2, 2000, the State Water Board adopted the *Policy for Implementation of Toxics Standards for Inland Surface Waters, Enclosed Bays, and Estuaries of California* (State Implementation Policy or SIP). The SIP became effective on April 28, 2000, with respect to the priority pollutant criteria promulgated for California by the U.S. EPA through the NTR and to the priority pollutant objectives established by the Colorado River Basin Water Board in the Basin Plan. The SIP became effective on May 18, 2000, with respect to the priority pollutant criteria promulgated by the U.S. EPA through the CTR. The State Water Board adopted amendments to the SIP on February 24, 2005, that became effective on July 13, 2005. The SIP establishes implementation provisions for priority pollutant criteria and objectives and provisions for chronic toxicity control. Requirements of this Order implement the SIP.
5. **Emergency Planning and Community Right to Know Act.** Section 13263.6(a), CWC, requires that “the Colorado River Basin Water Board shall prescribe effluent limitations as part of the WDRs of a POTW for all substances that the most recent toxic chemical release data reported to the state emergency response commission pursuant to Section 313 of the Emergency Planning and Community Right to Know Act of 1986 (42 U.S.C. Sec. 11023) (EPCRA) indicate as discharged into the POTW, for which the State Water Board or the Colorado River Basin Water Board has established numeric water quality objectives, and has determined that the discharge is or may be discharged at a level which will cause, have the reasonable potential to cause, or contribute to, an excursion above any numeric water quality objective.”
6. **Storm Water Requirements.** U.S. EPA promulgated Federal Regulations for storm water on November 16, 1990 in 40 C.F.R. parts 122, 123, and 124. The NPDES Industrial Storm Water Program regulates storm water discharges from wastewater treatment facilities. Wastewater treatment plants are applicable industries under the storm water program and are obligated to comply with the Federal Regulations.
7. **Endangered Species Act Requirements.** This Order does not authorize any act that results in the taking of a threatened or endangered species or any act that is now prohibited, or becomes prohibited in the future, under either the California Endangered Species Act (Fish and Game Code, §§ 2050 to 2097) or the Federal Endangered Species Act (16 U.S.C. §§ 1531 to 1544). This Order requires compliance with effluent limits, receiving water limits, and other requirements to protect the beneficial uses of waters of the state. The Discharger is responsible for meeting all requirements of the applicable Endangered Species Act.
8. **Sewage Sludge and Biosolids.** This Order does not authorize any act that results in violation of requirements administered by U.S. EPA to implement 40 C.F.R. Part 503, Standards for the Use or Disposal of Sewage Sludge. These standards regulate the final use or disposal of sewage sludge that is generated during the treatment of domestic sewage in a municipal wastewater treatment facility. The Discharger is responsible for meeting all applicable requirements of 40 C.F.R. Part 503 that are under U.S. EPA's enforcement authority.
9. **Anti-degradation Policy.** Federal regulation 40 C.F.R. section 131.12 requires that the state water quality standards include an anti-degradation policy consistent with the federal policy. The State Water Board established California's anti-degradation policy in State Water Board Resolution 68-16 (*Statement of Policy with Respect to Maintaining High Quality of Waters in California*). Resolution 68-16 is deemed to incorporate the federal anti-degradation policy where the federal policy applies under federal law.

Resolution 68-16 requires that existing water quality be maintained unless degradation is justified based on specific findings. The Colorado River Basin Water Board's Basin Plan implements, and incorporates by reference, both the State and federal anti-degradation policies. The permitted discharge must be consistent with the anti-degradation provision of 40 C.F.R. section 131.12 and State Water Board Resolution 68-16.

10. **Anti-Backsliding Requirements.** Sections 402(o) and 303(d)(4) of the CWA and federal regulations at 40 C.F.R. section 122.44(l) restrict backsliding in NPDES permits. These anti-backsliding provisions require that effluent limitations in a reissued permit must be as stringent as those in the previous permit, with some exceptions in which limitations may be relaxed.

D. Impaired Water Bodies on CWA 303(d) List

The immediate receiving water is the New River (via an unnamed tributary). The 2012 USEPA CWA Section 303(d) list of impaired waters (hereinafter 303(d) List) identifies the New River as impaired by the following chemical constituents: bifenthrin, chlordane, chloride, chlorpyrifos, cypermethrin, dichlorodiphenyltrichloroethane (DDT), diazinon, dieldrin, hexachlorobenzene, indicator bacteria, mercury, naphthalene, nitrogen-ammonia (total ammonia), nutrients, organic enrichment/low dissolved oxygen, polychlorinated biphenyls (PCBs), sediment, selenium, toxaphene, toxicity, and trash.

The New River Dissolved Oxygen TMDL was adopted by the Regional Board on May 20, 2010 (Resolution No. R7-2010-0011), approved by the State Water Resources Control Board on December 6, 2011 (Resolution No. 2011-0061), and approved by the Office of Administrative Law on March 21, 2012, and by USEPA on November 16, 2012. The New River is also listed as impaired for bacteria and sediment / siltation. USEPA has approved the Regional Water Board's TMDLs for these parameters. These TMDLs establish waste load allocations (WLAs) for fecal coliform, E. coli, enterococci, and sediment. The established effluent limitations for fecal coliform, E. coli, enterococci, and TSS in this Order comply with the WLAs established in the New River TMDLs. A Trash TMDL for the New River has been approved by the Regional Water Board and State Water Board, the Office of Administrative Law, and USEPA. The TMDL essentially establishes a prohibition on the discharge of any trash to the New River by point sources. This Order prohibits discharges of trash to the New River.

In addition, the 303(d) List classifies the Salton Sea as impaired by arsenic, chloride, chlorpyrifos, DDT, enterococcus, low dissolved oxygen, nitrogen-ammonia (total ammonia), nutrients, salinity, and toxicity. Tributaries to the Salton Sea, including the receiving water, may be affected by the development of TMDLs for the Salton Sea.

E. Other Plans, Policies, and Regulations

Federal regulations for storm water discharges require specific categories of facilities, which discharges storm water associated with industrial activity (storm water), to obtain NPDES permits and to implement Best Conventional Pollutant Technology (BCT) and Best Available Technology Economically Achievable (BAT) to reduce or eliminate industrial storm water pollution.

The State Water Board adopted Order 2014-0057-DWQ (General Permit No. CAS000001), specifying WDRs for discharges of storm water associated with industrial activities, excluding construction activities, and requiring submittal of a Notice of Intent by industries to be covered under the Permit. Coverage under the General Permit is required in accordance with I.A.9 of Order 2014-0057-DWQ.

IV. RATIONALE FOR EFFLUENT LIMITATIONS AND DISCHARGE SPECIFICATIONS

The CWA requires point source dischargers to control the amount of conventional, non-conventional, and toxic pollutants that are discharged into the waters of the United States. The

control of pollutants discharged is established through effluent limitations and other requirements in NPDES permits. There are two principal bases for effluent limitations in the Code of Federal Regulations: 40 C.F.R. section 122.44(a) requires that permits include applicable technology-based limitations and standards; and 40 C.F.R. section 122.44(d) requires that permits include water quality-based effluent limitations to attain and maintain applicable numeric and narrative water quality criteria to protect the beneficial uses of the receiving water. Where reasonable potential has been established for a pollutant, but there is no numeric criterion or objective for the pollutant, water quality-based effluent limitations (WQBELs) may be established: (1) using U.S. EPA criteria guidance under CWA section 304(a), supplemented where necessary by other relevant information; (2) on an indicator parameter for the pollutant of concern; or (3) using a calculated numeric water quality criterion, such as a proposed state criterion or policy interpreting the state's narrative criterion, supplemented with other relevant information, as provided in 40 C.F.R. section 122.44(d)(1)(vi).

Effluent and receiving water limitations in this Order are based on the federal CWA, Basin Plan, State Water Board's plans and policies, U.S. EPA guidance and regulations, and best practicable waste treatment technology. While developing effluent limitations and receiving water limitations, monitoring requirements, and special conditions for the draft permit, the following information sources were used.

1. NPDES Application Forms: California Form 200, U.S. EPA Forms 2A dated March 28, 2017.
2. Code of Federal Regulations – Title 40.
3. Water Quality Control Plan (Colorado River Basin –Region 7) as adopted on November 17, 1993 and amended on March 7, 2017.
4. Colorado River Basin Water Board files related to the Seeley County Water District Wastewater Treatment Plant NPDES permit No. CA0105023.

A. Discharge Prohibitions

Effluent and receiving water limitations in this Order are based on the Federal CWA, Basin Plan, State Water Board's plans and policies, U.S. EPA guidance and regulations, and best practicable waste treatment technology.

B. Technology-Based Effluent Limitations

1. Scope and Authority

Section 301(b) of the CWA and implementing U.S. EPA permit regulations at 40 C.F.R. section 122.44 require that permits include conditions meeting applicable technology-based requirements at a minimum, and any more stringent effluent limitations necessary to meet applicable water quality standards. The discharge authorized by this Order must meet minimum federal technology-based requirements based on Secondary Treatment Standards at 40 C.F.R. part 133.

- a. **Secondary Treatment Standards.** Regulations promulgated in 40 C.F.R. section 125.3(a)(1) require technology-based effluent limitations for municipal Dischargers to be placed in NPDES permits based on Secondary Treatment Standards or Equivalent to Secondary Treatment Standards.

The Federal Water Pollution Control Act Amendments of 1972 (PL 92-500) established the minimum performance requirements for POTWs [defined in section 304(d)(1)]. Section 301(b)(1)(B) of that Act requires that such treatment works must, as a minimum, meet effluent limitations based on secondary treatment as defined by the U.S. EPA Administrator.

Based on this statutory requirement, U.S. EPA developed secondary treatment regulations, which are specified in 40 C.F.R. part 133. These technology-based regulations apply to all municipal wastewater treatment plants and identify the minimum level of effluent quality attainable by secondary treatment in terms of biochemical oxygen demand (BOD₅), total suspended solids (TSS), and pH.

b. **Equivalent to Secondary Treatment Standards.**

Background. Following publication of the secondary treatment regulations, legislative history indicates that Congress was concerned that U.S. EPA had not “sanctioned” the use of certain biological treatment techniques that were effective in achieving significant reductions in CBOD₅ and TSS for secondary treatment. Therefore, to prevent unnecessary construction of costly new facilities, Congress included language in the 1981 amendment to the Construction Grants statutes [Section 23 of Pub. L. 97-147] that required USEPA to provide allowance for alternative biological treatment technologies such as trickling filters or waste stabilization ponds. In response to this requirement, definition of secondary treatment was modified on September 20, 1984 and June 3, 1985, and published in the revised secondary treatment regulations contained in 40 CFR section 133.105. These regulations allow alternative limitations for facilities using trickling filters and waste stabilization ponds that meet the requirements for “equivalent to secondary treatment.” These “equivalent to secondary treatment” limitations allow *up to* 45 mg/L (monthly average) and *up to* 65 mg/L (weekly average) for BOD₅ and *up to* 45 mg/L (monthly average) and *up to* 65 mg/L (weekly average) of TSS.

Alternative State Regulations. POTWs that use waste stabilization ponds, identified in 40 CFR section 133.103, as the principal process for secondary treatment and whose operation and maintenance data indicate that the TSS values specified in the equivalent-to-secondary regulations cannot be achieved, can also qualify to have their minimum levels of effluent quality for TSS adjusted upwards. The Alternative State Requirements (ASR) provision contained in section 133.105(d) allows States the flexibility to set permit limitations above the maximum levels of 45 mg/L (monthly average) and 65 mg/L (weekly average) for TSS from lagoons. However, before ASR limitations for suspended solids can be set, the effluent must meet the CBOD₅ limitations as prescribed by section 133.102(a). Presently, the maximum TSS value set by the State of California for lagoon effluent is 95 mg/L. This value corresponds to a 30-day consecutive average or an average over duration of less than 30 days.

Eligibility. In order to be eligible for equivalent-to-secondary limitations, a POTW must meet all of the following criteria [40 C.F.R. § 133.101(g)]:

- a) The principal treatment process must be either a trickling filter or waste stabilization pond.
- b) The effluent quality consistently achieved, despite proper operations and maintenance, is in excess of 30 mg/L BOD₅ and TSS.
- c) Water quality is not adversely affected by the discharge (40 C.F.R. section 133.101(g)).
- d) The treatment works as a whole provides significant biological treatment such that a minimum 65 percent reduction in CBOD₅ is consistently attained (30-day average).

2. **Applicable Technology-Based Effluent Limitations**

This facility, through use of the current treatment system (i.e., aeration lagoons) meets the technology-based regulations for the minimum level of effluent quality attainable by

equivalent-to-secondary treatment in terms of biochemical oxygen demand (BOD₅), TSS, and pH for the existing treatment system of aeration lagoons. Previous Order R7-2012-0011, established technology-based effluent limits to meet applicable equivalent-to-secondary treatment with ASR for BOD₅ and TSS, removal efficiency for BOD₅, and pH.

Federal regulations at 40 CFR Part 133.105(f) provide that the permitting authority shall require more stringent limitations when adjusting permits if the permitting authority determines, based on an analysis of the past performance of the treatment works, that an existing facility can achieve the secondary treatment limitation levels for BOD₅ and TSS effluent values through proper operation and maintenance of the treatment works. An analysis of all TSS effluent data available (October 2012 through March 2017) resulted in a calculated 95th percentile 30-day average concentration of 43 mg/l and a 7-day average concentration of 64 mg/l (1.5 times 43 mg/l). While this analysis does not support a determination that the facility can consistently meet secondary treatment requirements at this time, the Facility can consistently meet effluent limitations for TSS more stringent than the prior Order. Therefore, the new permit retains the TSS effluent limitations based on equivalent to secondary requirements. However, the new permit updates the TSS effluent limitations based on the analysis of the past performance of the treatment works. The limit for BOD₅ and pH are retained from the previous Order. The proposed effluent limitations are summarized in Table F-7.

Table F-7. Summary of Technology-based Effluent Limitations

Parameter	Units	Average Monthly	Average Weekly	Maximum Daily	Instantaneous Minimum	Instantaneous Maximum
Flow	MGD	0.25	---	---	---	---
Biochemical Oxygen Demand (BOD ₅) (5 day @ 20 Deg. C)	mg/L	45	65	---	---	---
Biochemical Oxygen Demand (BOD ₅) (5 day @ 20 Deg. C)	lb/day ²¹	94	140	---	---	---
BOD ₅ % Removal	%	65	---	---	---	---
Suspended Solids, Total (TSS)	mg/L	45	65	---	---	---
Suspended Solids, Total (TSS)	lb/day ²¹	94	140	---	---	---
pH	s.u.	---	---	---	6.0	9.0

a. Basis for Limitations:

Table F-8. Basis for Limitations

Parameters	Basis for Limitations
Flow	The design capacity of the treatment plant is 0.25 MGD.
Biochemical Oxygen Demand (BOD) (5 day @ 20 Deg. C)	Discharges to waters that support aquatic life and are dependent on oxygen. Organic matter in the discharge may consume oxygen as it breaks down.
Total Suspended Solids (TSS)	High levels of suspended solids can adversely impact aquatic habitat. Untreated or improperly treated wastewater can contain high amounts of suspended solids.

²¹ Mass-based effluent limitations are based upon a maximum flow of 0.25 MGD

Parameters	Basis for Limitations
pH	Hydrogen Ion (pH) is a measure of Hydrogen Ion concentration in the water. A range specified between 6.0 and 9.0 ensures suitability of biological life. This limitation has been adopted in the Basin Plan of the Region.

C. Water Quality-Based Effluent Limitations (WQBELs)

1. Scope and Authority

CWA Section 301(b) and 40 C.F.R. section 122.44(d) require that permits include limitations more stringent than applicable federal technology-based requirements where necessary to achieve applicable water quality standards.

Section 122.44(d)(1)(i) of 40 C.F.R. requires that permits include effluent limitations for all pollutants that are or may be discharged at levels that have the reasonable potential to cause or contribute to an exceedance of a water quality standard, including numeric and narrative objectives within a standard. Where reasonable potential has been established for a pollutant, but there is no numeric criterion or objective for the pollutant, water quality-based effluent limitations (WQBELs) must be established using: (1) U.S. EPA criteria guidance under CWA section 304(a), supplemented where necessary by other relevant information; (2) an indicator parameter for the pollutant of concern; or (3) a calculated numeric water quality criterion, such as a proposed state criterion or policy interpreting the state's narrative criterion, supplemented with other relevant information, as provided in section 122.44(d)(1)(vi).

The process for determining reasonable potential and calculating WQBELs when necessary is intended to protect the designated uses of the receiving water as specified in the Basin Plan, and achieve applicable water quality objectives and criteria that are contained in other state plans and policies, or any applicable water quality criteria contained in the CTR and NTR.

2. Applicable Beneficial Uses and Water Quality Criteria and Objectives

Table F-9 summarizes the applicable water quality criteria/objectives for priority pollutants reported in detectable concentrations in the effluent or for which effluent limitations existed in Order R7-2012-0011. The hardness value used to conduct the Reasonable Potential Analysis (RPA) was 400 mg/L, which is used when the minimum hardness value of the receiving water upstream of Discharge Point 001 is greater than 400 mg/L (423 mg/L). These criteria were used in conducting the RPA for this Order.

Table F-9. Applicable Beneficial Uses and Water Quality Criteria and Objectives

CTR No.	Parameter	Most Stringent Criteria	CTR/NTR Water Quality Criteria				Human Health for Consumption of: Organisms Only
			Freshwater		Saltwater		
			Acute	Chronic	Acute	Chronic	
		µg/L	µg/L	µg/L	µg/L	µg/L	
6	Copper	30.50	51.68	30.50	N/A	--	
7	Lead	18.58	476.82	18.58		Narrative	
13	Zinc	387.83	387.83	387.83		--	
14	Cyanide	5.2	22	5.2		220,000	
23	Chlorodibromomethane	34	--	--		34	
26	Chloroform	--	--	--		--	
27	Dichlorobromomethane	46	--	--		46	
44	Vinyl Chloride	525	--	--		525	
54	Phenol	4,600,000	--	--		4,600,000	
68	Bis(2-ethylhexyl)Phthalate	5.9	--	--		5.9	
81	Di-n-Butyl Phthalate	12,000	--	--	12,000		
97	N-Nitrosodi-n-Propylamine	1.4	--	--	1.4		

-- No water quality criteria available
 "N/A" Not Applicable to the receiving water.

3. Determining the Need for WQBELs

In accordance with section 1.3 of the SIP, the Colorado River Basin Water Board conducted a RPA for each priority pollutant with an applicable criterion or objective to determine if a WQBEL is required in the Order. The Colorado River Basin Water Board analyzed effluent data to determine if a pollutant in a discharge has the reasonable potential to cause or contribute to an excursion above a state water quality standard. For all parameters that have the reasonable potential to cause or contribute to an excursion above a water quality standard, numeric WQBELs are required. The RPA considers criteria from the CTR and NTR, and when applicable, water quality objectives specified in the Basin Plan. To conduct the RPA, the Colorado River Basin Water Board identified the maximum observed effluent concentration (MEC) for each constituent, based on data provided by the Discharger.

Section 1.3 of the SIP provides the procedures for determining reasonable potential to exceed applicable water quality criteria and objectives. The SIP specifies three triggers to complete a RPA:

- a. Trigger 1 – If the MEC is greater than or equal to the CTR water quality criteria or applicable objective (C), a limit is needed.
- b. Trigger 2 – If background water quality (B) > C and the pollutant is detected in the effluent, a limit is needed.
- c. Trigger 3 – If other related information, such as a 303(d) listing for a pollutant, discharge type, compliance history, etc., indicates that a WQBEL is required.

Sufficient effluent and ambient data are needed to conduct a complete RPA. If data are not sufficient, the Discharger will be required to gather the appropriate data for the Colorado River Basin Water Board to conduct the RPA. In accordance with section 1.2 of the SIP, the Colorado River Basin Water Board shall have discretion to consider if any data are inappropriate for use in determining reasonable potential.

The RPA was performed on available priority pollutant monitoring data collected by the Discharger from monthly samples collected during the period from January 2014 through March 2017 for zinc, cyanide, and bis(2-ethylhexyl)phthalate. In addition, data from analyses of annual samples collected for priority pollutants during the period from December 2014 through January 2017.

Based on the RPA, the discharge demonstrates reasonable potential to cause or contribute to an excursion above a water quality standard for bis(2-ethylhexyl)phthalate, copper, mercury, and cyanide.

A review of monitoring data reported during the term of Order R7-2012-0011 showed that for zinc, there were a number of detected values; however, none were greater than the most stringent applicable water quality criterion.

Data evaluated in the RPA for priority pollutants reported in detectable concentrations in the effluent are summarized in Table F-10.

Table F-10. Summary of Reasonable Potential Analysis

CTR No.	Priority Pollutant	Applicable Water Quality Criteria (C) µg/L	Max. Effluent Concentration (MEC) µg/L	Max. Detected Receiving Water Concentration (B) µg/L	RPA Result – Effluent Limit Required?	Reason
6	Copper	30.50	262	< 0.82	Yes	MEC > C
7	Lead	18.58	6	< 0.14	No	MEC < C & B < C

CTR No.	Priority Pollutant	Applicable Water Quality Criteria (C) µg/L	Max. Effluent Concentration (MEC) µg/L	Max. Detected Receiving Water Concentration (B) µg/L	RPA Result – Effluent Limit Required?	Reason
8	Mercury	0.051	11	< 0.05	Yes	MEC > C
11	Silver	44.05	10	< 0.4	No	MEC < C & B < C
13	Zinc	387.83	190	13.4	No	MEC < C & B < C
14	Cyanide	5.2	40	10	Yes	MEC > C
23	Chlorodibromomethane	34	0.6	< 0.08	No	MEC < C & B < C
26	Chloroform	No Criteria	2	< 0.12	No	No Criteria
27	Dichlorobromomethane	46	1.1	< 0.1	No	MEC < C & B < C
44	Vinyl Chloride	525	94.9	< 0.08	No	MEC < C & B < C
54	Phenol	4,600,000	2	2.6	No	MEC < C & B < C
68	Bis(2-ethylhexyl)Phthalate	5.9	335	< 0.01	Yes	MEC > C
81	Di-n-Butyl Phthalate	12,000	9.4	4.3	No	MEC < C & B < C
97	N-Nitrosodi-n-Propylamine	1.4	< 0.59	3.4	No	B < C & MEC is ND

"-" Data are not available. BPJ = Best Professional Judgment

4. WQBEL Calculations

- a. Final WQBELs are based on monitoring results and following the calculation process outlined in section 1.4 of the SIP. A table providing the calculations for all applicable WQBELs for this Order is provided in Attachment G of this Order.

b. **WQBELs Calculation Example**

Using cyanide as an example, the following demonstrates how WQBELs based on a human health criterion were established for Order R7-2017-0016. The process for developing these limits is in accordance with section 1.4 of the SIP. Attachment G summarizes the development and calculation of all WQBELs for this Order using the process described below.

Step 1: For each constituent requiring an effluent limit, identify the applicable water quality criteria or objective. For each criterion determine the effluent concentration allowance (ECA) using the following steady state equation:

$$ECA = C + D(C-B) \quad \text{when } C > B, \text{ and}$$

$$ECA = C \quad \text{when } C \leq B,$$

Where C = The priority pollutant criterion/objective, adjusted if necessary for hardness, pH and translators. In this Order an upstream receiving water hardness value of 400 mg/L (as CaCO₃) was used for development of hardness-dependent criteria, and a pH of 6.87 was used for pH-dependent criteria.

D = dilution credit, and

B = ambient background concentration

For this Order, dilution was not allowed due to the nature of the receiving water and quantity of the effluent; therefore:

$$ECA = C$$

For cyanide, the applicable water quality criteria are:

$$ECA_{acute} = 22 \mu\text{g/L}$$

$$ECA_{chronic} = 5.2 \mu\text{g/L}$$

$$ECA_{human\ health} = 220,000 \mu\text{g/L}$$

Step 2: For each ECA based on aquatic life criterion/objective, determine the long-term average discharge condition (LTA) by multiplying the ECA by a factor (multiplier). The multiplier is a statistically based factor that adjusts the ECA to account for effluent variability. The value of the multiplier varies depending on the coefficient of variation (CV) of the data set and whether it is an acute or chronic criterion/objective. Table 1 of the SIP provides pre-calculated values for the multipliers based on the value of the CV. Equations to develop the multipliers in place of using values in the tables are provided in section 1.4, Step 3 of the SIP and will not be repeated here.

$$LTA_{acute} = ECA_{acute} \times \text{Multiplier}_{acute}$$

$$LTA_{chronic} = ECA_{chronic} \times \text{Multiplier}_{chronic}$$

The CV for the data set must be determined before the multipliers can be selected and will vary depending on the number of samples and the standard deviation of a data set. If the data set is less than 10 samples, or at least 80% of the samples in the data set are reported as non-detect, the CV shall be set equal to 0.6.

For cyanide, the following data was used to develop the acute and chronic LTA using Table 1 of the SIP:

No. of Samples Available	CV	Multiplier _{acute}	Multiplier _{chronic}
3	0.60	0.32	0.53

$$LTA_{acute} = 22 \mu\text{g/L} \times 0.32 = 7.06 \mu\text{g/L}$$

$$LTA_{chronic} = 5.2 \mu\text{g/L} \times 0.53 = 2.74 \mu\text{g/L}$$

Step 3: Select the most limiting (lowest) of the LTA.

$$LTA = \text{most limiting of } LTA_{acute} \text{ or } LTA_{chronic}$$

For cyanide, the most limiting LTA was the LTA_{acute}

$$LTA = 2.74 \mu\text{g/L}$$

Step 4: Calculate the WQBELs by multiplying the LTA by a factor (multiplier). WQBELs are expressed as Average Monthly Effluent Limitations (AMEL) and Maximum Daily Effluent Limitations (MDEL). The multiplier is a statistically based factor that adjusts the LTA for the averaging periods and exceedance frequencies of the criteria/objectives and the effluent limitations. The value of the multiplier varies depending on the probability basis, the coefficient of variation (CV) of the data set, the number of samples (for AMEL) and whether it is monthly or daily limit. Table 2 of the SIP provides pre-calculated values for the multipliers based on the value of the CV and the number of samples. Equations to develop the multipliers in place of using values in the tables are provided in section 1.4, Step 5 of the SIP and will not be repeated here.

$$AMEL_{\text{aquatic life}} = LTA \times AMEL_{\text{multiplier}}$$

$$MDEL_{\text{aquatic life}} = LTA \times MDEL_{\text{multiplier}}$$

AMEL multipliers are based on a 95th percentile occurrence probability, and the MDEL multipliers are based on the 99th percentile occurrence probability. If the number of samples is less than four (4), the default number of samples to be used is four (4).

For cyanide, the following data was used to develop the AMEL and MDEL for aquatic life using Table 2 of the SIP:

No. of Samples per Month	CV	Multiplier _{MDEL}	Multiplier _{AMEL}
4	0.60	3.11	1.55

$$AMEL_{\text{aquatic life}} = 2.74 \times 1.55 = 4.26 \mu\text{g/L}$$

$$MDEL_{\text{aquatic life}} = 2.74 \times 3.11 = 8.54 \mu\text{g/L}$$

Step 5: For the ECA based on human health, set the AMEL equal to the ECA_{human health}

For cyanide:

$$AMEL_{\text{human health}} = 220,000 \mu\text{g/L}$$

Step 6: Calculate the MDEL for human health by multiplying the AMEL by the ratio of the Multiplier_{MDEL} to the Multiplier_{AMEL}. Table 2 of the SIP provides pre-calculated ratios to be used in this calculation based on the CV and the number of samples.

$$MDEL_{\text{human health}} = AMEL_{\text{human health}} \times (\text{Multiplier}_{\text{MDEL}} / \text{Multiplier}_{\text{AMEL}})$$

For cyanide, the following data were used to develop the MDEL_{human health}:

No. of Samples per Month	CV	Multiplier _{MDEL}	Multiplier _{AMEL}	Ratio
4	0.60	3.11	1.55	2.01

$$MDEL_{\text{human health}} = 220,000 \mu\text{g/L} \times 2.01 = 441,362 \mu\text{g/L}$$

Step 6: Select the lower of the AMEL and MDEL based on aquatic life and human health as the water-quality based effluent limit for the Order.

AMEL _{aquatic life}	MDEL _{aquatic life}	AMEL _{human health}	MDEL _{human health}
4.3 µg/L	8.5 µg/L	220,000 µg/L	441,362 µg/L

The lowest (most restrictive) effluent limits for cyanide are based on aquatic life and were incorporated into this Order.

c. **WQBELs Based on Basin Plan Objectives**

- i. **E. Coli.** The Basin Plan states that any discharge to a water body with a REC-1 designated use shall not have bacterial densities in excess of the following:
 - (a) **E. Coli.** The geometric mean bacterial density (based on a minimum of not less than five samples equally spaced over a 30-day period) shall not exceed a Most Probable Number (MPN) of 126 per 100 milliliters, nor shall any sample exceed the maximum allowable bacterial density of a MPN of 400 per 100 milliliters.
 - (b) **Enterococci.** The geometric mean bacterial density (based on a minimum of not less than five samples equally spaced over a 30-day period) shall not exceed a MPN of 33 per 100 milliliters, nor shall any sample exceed the maximum allowable bacterial density of a MPN of 100 per 100 milliliters.
 - (c) **Fecal Coliform.** The log mean bacterial density (based on a minimum of not less than five samples equally spaced over a 30-day period) shall not exceed a MPN of 200 per 100 milliliters, nor shall more than ten percent of the total samples during any 30-day period exceed a MPN of 400 per 100 milliliters.

Effluent limitations for *E. coli*, enterococci, and fecal coliform are incorporated in this Order. The bacterial indicators of *E. coli*, enterococci, and fecal coliform are used to estimate the presence of pathogens in the wastewater effluent discharged to Discharge Point 001. Effluent limitations for *E. coli*, enterococci, and fecal coliform shall be used as an indicator to determine the effectiveness of the municipal wastewater treatment facilities disinfection system.

- ii. **Oil and Grease.** The Basin Plan contains narrative water quality objectives for oil and grease and floating material in surface waters, which state: *“All waters shall be free from substances attributable to wastewater of domestic or industrial origin or other discharges which adversely affect beneficial uses not limited to: floating as debris, scum, grease, oil, wax, or other matter that may cause nuisance.”* In addition, as discussed in section III.C.7 of this Fact Sheet, the anti-degradation provisions of the State Water Board Resolution No. 68-16 state that: *“Any activity which produces or may produce a waste or increased volume or concentration of waste and which discharges or proposes to discharge to existing high quality waters will be required to meet waste discharge requirements which will result in the best practicable treatment or control of the discharge necessary to assure that (a) a pollution or nuisance will not occur and (b) the highest water quality consistent with maximum benefit to the people of the State will be maintained.”*

Oil and grease is a pollutant that generally may be found in sanitary waste from households, businesses and industries, and for which POTWs typically are designed to remove. Oil and grease removal is typically achieved during primary treatment. Based on information included in self-monitoring reports submitted by the Discharger, annual effluent samples for oil and grease indicate their presence in the effluent (one detectable concentration at 110 mg/L).

Therefore, the discharge demonstrates a reasonable potential to cause or contribute to an in-stream excursion above the Basin Plan’s narrative objective for oil and grease and floating material. This Order carries forward the MDEL for oil and grease, to implement the narrative water quality objective contained in the Basin Plan, which will provide protection of the beneficial uses of the Coachella Valley Storm Drain. The effluent limitation for oil and grease is carried forward from the previous Order and is originally based on the numeric limitation (MDEL) included in the adopted General Order R7-2015-0006, *NPDES Permit for Low Threat Discharges to Surface Waters Within the Colorado River Basin Region*.

- iii. **Whole Effluent Toxicity (WET).** The Basin Plan specifies a narrative objective for toxicity, requiring that all waters be maintained free of toxic substances in concentrations that are lethal to or produce other detrimental response on aquatic organisms. Detrimental response includes but is not limited to decreased growth rate, decreased reproductive success of resident or indicator species, and/or significant alterations in population, community ecology, or receiving water biota.

The Previous Order contained narrative toxicity language and triggers, and monitoring requirements. Based on quarterly monitoring data reported by the Discharger between October 2012 and February 2016, the maximum observed chronic toxicity measurement was 1 TUc. The Discharger will continue to conduct toxicity monitoring once per quarter (four times per year).

This Order implements the narrative objective for toxicity, requiring there shall be no toxicity in the treatment plant effluent. In addition, the Order establishes thresholds that when exceeded requires the Discharger to conduct accelerated toxicity testing and/or conduct toxicity reduction evaluation (TRE) studies.

In addition to the Basin Plan requirements, section 4 of the SIP states that a chronic toxicity effluent limitation is required in permits for all discharges that will cause, have the reasonable potential to cause, or contribute to chronic toxicity in receiving waters. Therefore, in accordance with the SIP, this Order requires the Discharger to conduct chronic toxicity testing for discharges to the receiving water.

5. Summary of Water Quality-based Effluent Limitations

Table F-11. Summary of Water Quality-based Effluent Limitations

Parameter	Units	Average Monthly	Average Weekly	Maximum Daily	Instantaneous Minimum	Instantaneous Maximum
Escherichia Coli (E. coli)	MPN/100 ml	126 ²²	---	400 ²³	---	---
Enterococci	MPN/100 ml	33 ²²	---	100 ²³	---	---
Fecal coliform	MPN/100 ml	200 ²²	---	400 ²⁴	---	---
Copper, Total Recoverable	µg/L	25	---	50	---	---
	lbs/day ²⁵	0.052	---	0.104	---	---
	µg/L	0.051	---	0.102	---	---

²² This effluent limitation is expressed as a geometric (or log) mean, based on a minimum of not less than five equally spaced samples collected for any 30-day period

²³ This effluent limitation is expressed as a maximum single sample value

²⁴ No more than ten percent of the total fecal coliform samples collected during any 30-day period shall exceed a MPN of 400 per 100 milliliters

²⁵ The mass-based effluent limitations are based on a design capacity of 0.25 MGD

Mercury, Total Recoverable	lbs/day ²³	0.0001	---	0.0002	---	---
Cyanide, Free	µg/L	4.3	---	8.5	---	---
	lbs/day ²⁵	0.009	---	0.018	---	---
Bis(2-ethylhexyl)Phthalate	µg/L	5.9	---	12	---	---
	lbs/day ²⁵	0.012	---	0.025	---	---
Oil and grease, Total	mg/L	---	---	25	---	---
	lbs/day ²⁵	---	---	52	---	---

(a) **Toxicity:** There shall be no toxicity in the treatment plant effluent, as defined in section V of the MRP. Compliance with this objective will be determined by use of indicator organisms, analyses of species diversity, population density, growth anomalies, or toxicity tests of appropriate duration or other appropriate methods specified by the Colorado River Basin Water Board.

(b) **Total Dissolved Solids:** Discharges of wastes or wastewater shall not increase the TDS content of receiving waters, unless it can be demonstrated to the satisfaction of the Colorado River Basin Water Board that such an increase in TDS does not adversely affect beneficial uses of receiving waters.

D. Final Effluent Limitation Considerations

1. Anti-Backsliding Requirements

Sections 402(o) and 303(d)(4) of the CWA and federal regulations at 40 C.F.R. section 122.44(l) prohibit backsliding in NPDES permits. These anti-backsliding provisions require effluent limitations in a reissued permit to be as stringent as those in the previous permit, with some exceptions where limitations may be relaxed. The effluent limitations in this Order are at least as stringent as the effluent limitations in the previous Order, except for zinc.

- i. **Zinc:** Effluent limitations for zinc is discontinued in this Order based on the consideration of new information pursuant to CWA section 402(o)(2)(B)(ii). The current discharge monitoring data and reasonable potential analysis demonstrated that the discharge does not have reasonable potential to cause or contribute to an exceedance of a zinc water quality objective.

This relaxation of effluent limitations is consistent with the anti-backsliding requirements of the CWA and federal regulations.

2. Anti-degradation Policies

Section 131.12 of the code of federal regulation requires that the state water quality standards include an antidegradation policy consistent with the federal policy. The State Water Board established California's antidegradation policy in State Water Board Resolution No. 68-16. Resolution No. 68-16 is deemed to incorporate the federal antidegradation policy where the federal policy applies under federal law. Resolution No. 68-16 requires discharges to waters of the State be regulated to achieve the "highest water quality consistent with maximum benefit to the State." It also establishes the intent that where waters of the State are of higher quality than that required by state policies, including Water Quality Control Plans, such higher quality "shall be maintained to the maximum extent possible" unless it is demonstrated that any change in quality will be consistent with maximum benefit to people of the State, will not unreasonably affect beneficial uses, and will not result in water quality less than that described in plans and policies (e.g., violation of any water quality objective). The discharge is also required to meet waste discharge requirements that result in the best practicable treatment or

control necessary to assure that pollution or nuisance will not occur, and that the highest water quality consistent with maximum benefit to the people will be maintained.

Changes in this Order are not expected to result in degradation. This Order removes WQBELs for zinc as discussed above. The removal of zinc WQBELs is not expected to affect the quality of the discharge or to degrade the receiving waters. The discharge was found to have no reasonable potential to contribute to an exceedance for zinc. Thus, the removal of the effluent limitation for zinc, is consistent with federal and state antidegradation policy and a complete anti-degradation analysis is not required.

3. Stringency of Requirements for Individual Pollutants

This Order contains both technology-based and water quality-based effluent limitations for individual pollutants. The technology-based effluent limitations consist of restrictions on BOD₅, TSS, percent removal, and pH are specified in Federal regulations as discussed in 40 C.F.R. part 133 and the Permit's technology-based pollutant restrictions are no more stringent than required by the CWA. This Order's technology-based pollutant restrictions implement the minimum, applicable federal technology-based requirements. Water quality-based effluent limitations have been scientifically derived to implement water quality objectives that protect beneficial uses. Both the beneficial uses and the water quality objectives have been approved pursuant to federal law and are the applicable federal water quality standards. To the extent that toxic pollutant water quality-based effluent limitations were derived from the CTR, the CTR is the applicable standard pursuant to Title 40, C.F.R. section 131.38. The scientific procedures for calculating the individual water quality-based effluent limitations are based on the CTR-SIP, which was approved by the U.S. EPA on May 18, 2000. All beneficial uses and water quality objectives contained in the Basin Plan were approved under State law and submitted to and approved by U.S. EPA prior to May 30, 2000. Any water quality objectives and beneficial uses submitted to U.S. EPA prior to May 30, 2000, but not approved by U.S. EPA before that date, are nonetheless "applicable water quality standards for purposes of the CWA" pursuant to 40 C.F.R. section 131.21(c)(1). Collectively, this Order's restrictions on individual pollutants are no more stringent than required to implement the requirements of the CWA.

E. Interim Effluent Limitations – Not Applicable

F. Final Effluent Limitations

Table F-12 below summarizes the proposed effluent limitations for the discharge from the treatment system through Discharge Point 001. Proposed effluent limitations are based on equivalent to secondary treatment standards, California Toxics Rule, and Colorado River Basin Plan Water Quality Standards.

1. Mass-based Effluent Limitations

Title 40 C.F.R. section 122.45(f)(1) requires effluent limitations be expressed in terms of mass, with some exceptions, and section 122.45(f)(2) allows pollutants that are limited in terms of mass to additionally be limited in terms of other units of measurement. This Order includes effluent limitations expressed in terms of mass and concentration. In addition, pursuant to the exceptions to mass limitations provided in section 122.45(f)(1), some effluent limitations are not expressed in terms of mass, such as pH and temperature, and when the applicable standards are expressed in terms of concentration (e.g., CTR criteria and MCLs) and mass limitations are not necessary to protect the beneficial uses of the receiving water.

Mass-based effluent limitations are established using the following formula:

$$\text{Mass (lbs/day)} = \text{flow rate (MGD)} \times 8.34 \times \text{effluent limitation (mg/L)}$$

where: Mass = mass limitation for a pollutant (lbs/day)

Effluent limitation = concentration limit for a pollutant (mg/L)

Flow rate = discharge flow rate (MGD)

2. Final Effluent Limitations

- i. The Discharger shall maintain compliance with the following effluent limitations at Discharge Point 001, with compliance measured at Monitoring Location EFF-001 as described in the MRP.

Table F-12. Summary of Final Effluent Limitations

Parameter	Units	Average Monthly	Average Weekly	Maximum Daily	Instantaneous Minimum	Instantaneous Maximum	Basis
Flow	MGD	0.25	---	---	---	---	BPJ
BOD ₅	mg/L	45	65	---	---	---	40 CFR 133
BOD ₅	lbs/day ¹	94	140	---	---	---	40 CFR 133
TSS	mg/L	45	65	---	---	---	40 CFR 133
TSS	lbs/day ²⁶	94	140	---	---	---	40 CFR 133
pH	standard units	---	---	---	6.0	9.0	40 CFR 133
Oil and Grease ²⁷	mg/L	---	---	25	---	---	Basin Plan
Oil and Grease ²⁷	lbs/day ²⁶	---	---	52	---	---	Basin Plan
Copper, Total Recoverable	µg/L	25	---	50	---	---	CTR, SIP
Copper, Total Recoverable	lbs/day ²⁶	0.052	---	0.104	---	---	CTR, SIP
Mercury, Total Recoverable	µg/L	0.051	---	0.102	---	---	CTR, SIP
Mercury, Total Recoverable	lbs/day ²⁶⁴	0.0001	---	0.0002	---	---	CTR, SIP
Cyanide	µg/L	4.3	---	8.5	---	---	CTR, SIP
Cyanide	lbs/day ²⁶	0.009	---	0.018	---	---	CTR, SIP
Bis(2-ethylhexyl)Phthalate	µg/L	5.9	---	12	---	---	CTR, SIP

²⁶ The mass-based effluent limitations are based on a design capacity of 0.25 MGD

²⁷ Total oil and grease shall include the polar and non-polar fraction of oil and grease materials

Bis(2-ethylhexyl)Phthalate	µg/L	5.9	---	12	---	---	CTR, SIP
----------------------------	------	-----	-----	----	-----	-----	----------

a) **Percent Removal:** The average monthly percent removal of BOD 5-day 20°C shall not be less than 65 percent.

- ii. **Toxicity:** There shall be no toxicity in the treatment plant effluent, as defined in section V of the MRP. Compliance with this objective will be determined by use of indicator organisms, analyses of species diversity, population density, growth anomalies, or toxicity tests of appropriate duration or other appropriate methods specified by the Colorado River Basin Water Board.
- iii. **Bacteria:** The bacterial concentrations in the wastewater effluent discharged to the New River (via an unnamed tributary) shall not exceed the following concentrations, as measured by the following bacterial indicator:
 - a) **E. Coli.** The geometric mean bacterial density (based on a minimum of not less than five samples equally spaced over a 30-day period) shall not exceed a MPN of 126 per 100 milliliters, nor shall any sample exceed the maximum allowable bacterial density of a MPN of 400 per 100 milliliters.
 - b) **Enterococci.** The geometric mean bacterial density (based on a minimum of not less than five samples equally spaced over a 30-day period) shall not exceed a MPN of 33 per 100 milliliters, nor shall any sample exceed the maximum allowable bacterial density of a MPN of 100 per 100 milliliters.
 - c) **Fecal Coliform.** The log mean bacterial density (based on a minimum of not less than five samples equally spaced over a 30-day period) shall not exceed a MPN of 200 per 100 milliliters, nor shall more than ten percent of the total samples during any 30-day period exceed a MPN of 400 per 100 milliliters.
- iv. **Total Dissolved Solids:** Discharges of wastes or wastewater shall not increase the TDS content of receiving waters, unless it can be demonstrated to the satisfaction of the Colorado River Basin Water Board that such an increase in TDS does not adversely affect beneficial uses of receiving waters.

G. Land Discharge Specifications – Not Applicable

H. Recycling Specifications – Not Applicable

V. RATIONALE FOR RECEIVING WATER LIMITATIONS

A. Surface Water

The surface water receiving water limitations in the proposed Order are based upon the water quality objectives contained in the Basin Plan and is carried forward from the previous Order. As such, they are a required part of the proposed Order. The receiving water limitations for dissolved oxygen, temperature, pH and TDS are as follows:

Dissolved Oxygen: The discharge shall not cause the concentration of dissolved oxygen in the receiving water to fall below 5.0 mg/L. When the dissolved oxygen in the receiving water is already below 5.0 mg/L, the discharge shall not cause any further depression.

Temperature: The discharge shall not result in the natural receiving water temperature to be altered, unless it can be demonstrated to the satisfaction of the Colorado River Basin Water Board that such alteration in temperature does not adversely affect beneficial uses.

pH: The discharge shall not result in the normal ambient pH of the receiving water to fall below 6.0 or exceed 9.0 units.

Total Dissolved Solids: The discharge shall not cause the concentration of TDS in New River via unnamed tributary to exceed an annual average concentration of 4,000 mg/L or a maximum daily concentration of 4,500 mg/L.

B. Groundwater – Not Applicable

VI. RATIONALE FOR PROVISIONS

A. Standard Provisions

Standard Provisions, which apply to all NPDES permits in accordance with 40 C.F.R. section 122.41, and additional conditions applicable to specified categories of permits in accordance with 40 C.F.R. section 122.42, are provided in Attachment D. The Discharger must comply with all standard provisions and with those additional conditions that are applicable under 40 C.F.R. section 122.42.

Sections 122.41(a)(1) and (b) through (n) of 40 C.F.R. establish conditions that apply to all state-issued NPDES permits. These conditions must be incorporated into the permits either expressly or by reference. If incorporated by reference, a specific citation to the regulations must be included in the Order. Section 123.25(a)(12) of 40 C.F.R. allows the state to omit or modify conditions to impose more stringent requirements. In accordance with 40 C.F.R. section 123.25, this Order omits federal conditions that address enforcement authority specified in 40 C.F.R. sections 122.41(j)(5) and (k)(2) because the enforcement authority under the Water Code is more stringent. In lieu of these conditions, this Order incorporates by reference Water Code section 13387(e).

B. Special Provisions

1. Reopener Provisions

This provision is based on 40 C.F.R. part 123. The Colorado River Basin Water Board may reopen the permit to modify permit conditions and requirements. Causes for modifications include the promulgation of new regulations, modification in disposal practices, or adoption of new regulations by the State Water Board or Colorado River Basin Water Board, including revisions to the Basin Plan.

2. Special Studies and Additional Monitoring Requirements

- a. TRE Work Plan, Toxicity Identification Evaluations, and Toxicity Reduction Evaluations.** This provision is based on the SIP, section 4, Toxicity Control Provisions.
- b. Translator Study.** This provision is based on the SIP. This provision allows the Discharger to conduct an optional translator study, based on the SIP at the Discharger's discretion. This provision is based on the need to gather site-specific information in order to apply a different translator from the default translator specified in the CTR and SIP. Without site-specific data, the default translators are used with the CTR criteria.
- c. Total Dissolved Solids Study.** The purpose of this study is to provide more detailed information on the Regional Board's development of salinity standards pursuant to section 303 of the CWA and through the NPDES permitting authority in

the regulation of municipal and industrial sources (see section 402 of the Federal Water Pollution Control Act). The Discharger shall provide an annual update regarding progress made on identification of areas where infiltration may cause changes in TDS level, and submit a summary report on activities to reduce TDS level and result of the activities to the Colorado River Basin Water Board prior to the filing date for renewal application.

3. **Best Management Practices and Pollution Prevention**

- a. **Pollutant Minimization Program.** This provision is based on the requirements of section 2.4.5 of the SIP.
- b. **Storm Water.** This provision is based on Water Quality Order 2014-0057-DWQ, NPDES General Permit No. CAS000001 for Discharges of Storm Water Associated with Industrial Activities.

4. **Construction, Operation, and Maintenance Specifications**

- a. **Facility and Treatment Operation.** This provision is based on the requirements of section 122.41(e) and the previous Order.
- b. **Anti-degradation Analysis and Engineering Report for Significant Expansion.** This requirement is required if the Discharger proposes to significantly upgrade existing treatment systems. The Discharger would be required to evaluate treatment capacity, address mass increases of pollutants discharged, and propose additional units as necessary to enable adequate treatment, while ensuring that any proposed increases in discharges will not violate the State Water Board's anti-degradation policy.
- c. **Spill Response Plan.** This provision is based on the requirements of section 122.41(e) and the previous Order.

5. **Special Provisions for Municipal Facilities (POTWs Only)**

The State Water Board issued General Waste Discharge Requirements for Sanitary Sewer Systems, Water Quality Order 2006-0003-DWQ (General Order) on May 2, 2006. The Monitoring and Reporting Requirements for the General Order were amended by Water Quality Order WQ 2008-0002-EXEC on February 20, 2008. The General Order requires public agencies that own or operate sanitary sewer systems with greater than one mile of pipes or sewer lines to enroll for coverage under the General Order. The General Order requires agencies to develop sanitary sewer management plans (SSMPs) and report all sanitary sewer overflows (SSOs), among other requirements and prohibitions. Furthermore, the General Order contains requirements for operation and maintenance of collection systems and for reporting and mitigating sanitary sewer overflows. Inasmuch that the Discharger's collection system is part of the system that is subject to this Order, certain standard provisions are applicable as specified in Provisions, section VI.C.5. For instance, the 24-hour reporting requirements in this Order are not included in the General Order. The Discharger must comply with both the General Order and this Order. The Discharger and public agencies that are discharging wastewater into the facility were required to obtain enrollment for regulation under the General Order by December 1, 2006.

- a. **Pretreatment Program Requirements.** Requirements are based on the previous Order and 40 C.F.R. part 403.
- b. **Collection Systems.** Requirements are based on 40 C.F.R. section 122.41.

6. **Other Special Provisions**

Special Provisions VI.C.6.a and VI.C.6.b are included to ensure the compliance with requirements established in this Order R7-2017-0016, and are based on the previous Order, the CWA, U.S. EPA regulations, CWC, and Colorado River Basin Water Board plans and policies.

7. Special Provisions Reporting Schedules

The compliance schedules specify the deliverables and due dates for the TRE Work Plan, TDS Study, and Spill Response Plan for compliance with the Permit requirements.

VII. RATIONALE FOR MONITORING AND REPORTING REQUIREMENTS

CWA section 308 and 40 C.F.R. sections 122.41(h), (j)-(l), 122.44(i), and 122.48 require that all NPDES permits specify monitoring and reporting requirements. Water Code sections 13267 and 13383 also authorize the Colorado River Basin Water Board to establish monitoring, inspection, entry, reporting, and recordkeeping requirements. The Monitoring and Reporting Program (MRP), Attachment E of this Order establishes monitoring, reporting, and recordkeeping requirements that implement federal and state requirements. The following provides the rationale for the monitoring and reporting requirements contained in the MRP for this facility.

A. Influent Monitoring

This Order carries forward the treatment plant influent monitoring requirements.

B. Effluent Monitoring

The Discharger is required to conduct monitoring of the permitted discharges in order to evaluate compliance with permit conditions. Monitoring requirements are given in the proposed MRP. This provision requires compliance with the MRP, and is based on 40 C.F.R. sections 122.44(i), 122.62, 122.63 and 124.5. The MRP is a standard requirement in almost all NPDES permits (including the proposed Order) issued by the Colorado River Basin Water Board. In addition to containing definitions of terms, it specifies general sampling/analytical protocols and the requirements of reporting of spills, violations, and routine monitoring data in accordance with NPDES regulations, the CWC, and Colorado River Basin Water Board's policies. The MRP also contains sampling program specific for the Discharger's wastewater treatment facility. It defines the sampling stations and frequency, pollutants to be monitored, and additional reporting requirements. Pollutants to be monitored include all pollutants for which effluent limitations are specified. Further, in accordance with section 1.3 of the SIP, periodic monitoring is required for all priority pollutants defined by the CTR, for which criteria apply and for which no effluent limitations have been established, to evaluate reasonable potential to cause or contribute to an excursion above a water quality standard.

Monitoring for those pollutants expected to be present in the discharge from the Facility at Discharge Point 001 (Monitoring Location EFF-001) will be required as shown in the proposed MRP and as required by the SIP.

Effluent monitoring requirements are unchanged from the previous Order except zinc. This monitoring is necessary in order to verify compliance with effluent limitations for these parameters that have been newly established in this Order. Monthly monitoring for zinc has been removed because effluent limitations for this parameter have been removed. However, the Discharger is still required to conduct annual samples for zinc as part of priority pollutant monitoring.

C. Whole Effluent Toxicity Testing Requirements

Whole effluent toxicity (WET) testing requirements establish monitoring of the effluent to ensure that the receiving water quality is protected from the aggregate toxic effect of a mixture of pollutants in the effluent. An acute toxicity test is conducted over a short time period and measures mortality. A chronic toxicity test is conducted over a longer period of

time and may measure mortality, reproduction, and growth. This permit requires chronic toxicity testing.

This requirement establishes conditions and protocol by which compliance with the Basin Plan narrative water quality objective for toxicity will be demonstrated. Conditions include required monitoring and evaluation of the effluent for chronic toxicity and numerical values for chronic toxicity evaluation to be used as 'triggers' for initiating accelerated monitoring and toxicity reduction evaluation(s).

The Order establishes chronic toxicity testing and monitoring triggers, which when exceeded, initiates accelerated testing, TRE, and TIE procedures. This Order also includes implementation procedures for toxicity caused by ammonia, ionic imbalance, and elevated TDS concentrations.

U.S. EPA has developed a statistical approach that assesses the WET measurement of wastewater effects on specific test organisms' ability to survive, grow, and reproduce. The approach is called the Test of Significant Toxicity (TST) and is a statistical method that uses hypothesis testing techniques based on research and peer-reviewed publications. The TST approach examines whether an effluent at the critical concentration (e.g., in-stream waste concentration or IWC, as recommended in EPA's Technical Support Document (TSD) (U.S. EPA 1991) and implemented under EPA's WET National Pollutant Discharge Elimination System (NPDES) permits program) and the control within a WET test differ by an unacceptable amount; i.e., the amount that would have a measured detrimental effect on the ability of aquatic organisms to thrive and survive.

The TST approach explicitly incorporates test power (the ability to correctly classify the effluent as nontoxic) and provides a positive incentive to generate valid, high quality WET data to make informed decisions regarding NPDES WET reasonable potential (RP) and permit compliance determinations. Once the WET test has been conducted, the TST approach can be used to analyze the WET test results to assess whether the effluent discharge is toxic at the critical concentration. The TST approach is designed to be used for a two concentration data analysis of the IWC or a receiving water concentration (RWC) compared to a control concentration.

Using the TST approach, permitting authorities and Dischargers will have more confidence when making NPDES determinations as to whether an effluent discharge is toxic or non-toxic. Use of the TST approach does not result in any changes to EPA's WET test methods; however, a facility might want to modify its future WET tests by increasing the number of replicates over the minimum required to increase test power, which is the probability of declaring an effluent non-toxic if the organism response at the IWC is truly acceptable.

D. Receiving Water Monitoring

1. Surface Water

Surface water monitoring is required to determine compliance with receiving water limitations and to characterize the water quality of the receiving water pursuant to the Basin Plan. Monitoring requirements for the receiving water are unchanged from the previous Order. Additionally, annual monitoring for priority pollutants in the upstream receiving water has been continued, as required in accordance with the SIP.

2. Groundwater - Not Applicable

VIII. PUBLIC PARTICIPATION

The Colorado River Basin Water Board has considered the issuance of WDRs that will serve as an NPDES permit for the Discharger. As a step in the WDR adoption process, the Colorado River Basin Water Board staff has developed tentative WDRs and has encouraged public participation in the WDR adoption process.

A. Notification of Interested Parties

The Colorado River Basin Water Board notified the Discharger and interested agencies and persons of its intent to prescribe WDRs for the discharge and provided an opportunity to submit written comments and recommendations. Notification was provided through the following the Imperial Valley Press newspaper.

The public had access to the agenda and any changes in dates and locations through the Colorado River Basin Water Board’s website at:

http://www.waterboards.ca.gov/coloradoriver/board_info/agenda/

B. Written Comments

Interested persons were invited to submit written comments concerning tentative WDRs as provided through the notification process. Comments were due either in person or by mail to the Executive Office at the Colorado River Basin Water Board at 73-720 Fred Waring Drive, Suite 100, Palm Desert, CA 92260.

To be fully responded to by staff and considered by the Colorado River Basin Water Board, the written comments were due at the Colorado River Basin Water Board office by **5:00 p.m. on November 8, 2017.**

C. Public Hearing

The Colorado River Basin Water Board held a public hearing on the tentative WDRs during its regular Board meeting on the following date and time and at the following location:

Date: November 9, 2017
Time: 9:00 AM
Location: California Regional Water Quality Control Board
Colorado River Basin Region Board Room
73-720 Fred Waring Drive, Suite 100
Palm Desert, CA 92260

Interested persons were invited to attend. At the public hearing, the Colorado River Basin Water Board heard testimony pertinent to the discharge, WDRs, and permit. For accuracy of the record, important testimony was requested in writing.

D. Reconsideration of Waste Discharge Requirements

Any person aggrieved by this action of the Colorado River Basin Water Board may petition the State Water Board to review the action in accordance with Water Code section 13320 and the California Code of Regulations, title 23, sections 2050 and following. The State Water Board must receive the petition by 5:00 p.m., 30 days after the date of this Order, except that if the thirtieth day following the date of this Order falls on a Saturday, Sunday, or state holiday, the petition must be received by the State Water Board by 5:00 p.m. on the next business day. Copies of the law and regulations applicable to filing petitions may be found on the Internet at:

http://www.waterboards.ca.gov/public_notices/petitions/water_quality

or will be provided upon request.

State Water Resources Control Board
Office of Chief Counsel
P.O. Box 100, 1001 I Street
Sacramento, CA 95812-0100

For instructions on how to file a petition for review, see

http://www.waterboards.ca.gov/public_notices/petitions/water_quality/wqpetition_instr.shtml

E. Information and Copying

The Report of Waste Discharge, other supporting documents, and comments received are on file and may be inspected at the address above at any time between 8:30 a.m. and 4:45 p.m., Monday through Friday. Copying of documents may be arranged through Colorado River Basin Water Board by calling (760) 346-7491.

F. Register of Interested Persons

Any person interested in being placed on the mailing list for information regarding the WDRs and NPDES permit should contact the Colorado River Basin Water Board, reference this Facility, and provide a name, address, and phone number.

G. Additional Information

Requests for additional information or questions regarding this order should be directed to Jeong-Hee Lim at (760) 776-8940.

ATTACHMENT G – SUMMARY OF QWBELS CALCULATIONS

The QWBELS developed for this Order are summarized below and were calculated as described in the methodology summarized in Attachment F, Fact Sheet and are contained in section IV.A.1.a of this Order.

Table G-1. Summary of QWBELS Calculations

CTR #	Parameter	Human Health Calculations			Aquatic Life Calculations											Effluent Limitations	
		Organism Only			Freshwater											AMEL	MDEL
		AMEL HH = ECA = C HH only	MDEL/ AMEL multiplier	MDEL HH	ECA acute = C acute	ECA acute multiplier	LTA acute	ECA chronic = C chronic	ECA chronic multiplier	LTA chronic	Lowest LTA	AMEL multiplier 95	AMEL aquatic life	MDEL multiplier 99	MDEL aquatic life		
		µg/L		µg/L	µg/L		µg/L	µg/L		µg/L	µg/L					µg/L	µg/L
6	Copper, Total Recoverable	--	--	--	51.68	0.32	16.59	30.50	0.53	16.09	16.09	1.55	24.97	3.11	50.10	25.0	50.1
8	Mercury, Total Recoverable	0.051	2.01	0.102	--	--	--	--	--	--	--	1.55	--	3.11	--	0.051	0.102
14	Cyanide	220,000	2.01	441,362	22	0.32	7.06	5.2	0.53	2.74	2.74	1.55	4.26	3.11	8.54	4.3	8.5
68	Bis(2-ethylhexyl)Phthalate	5.9	2.01	11.8	--	--	--	--	--	--	--	1.55	--	3.11	--	5.9	12