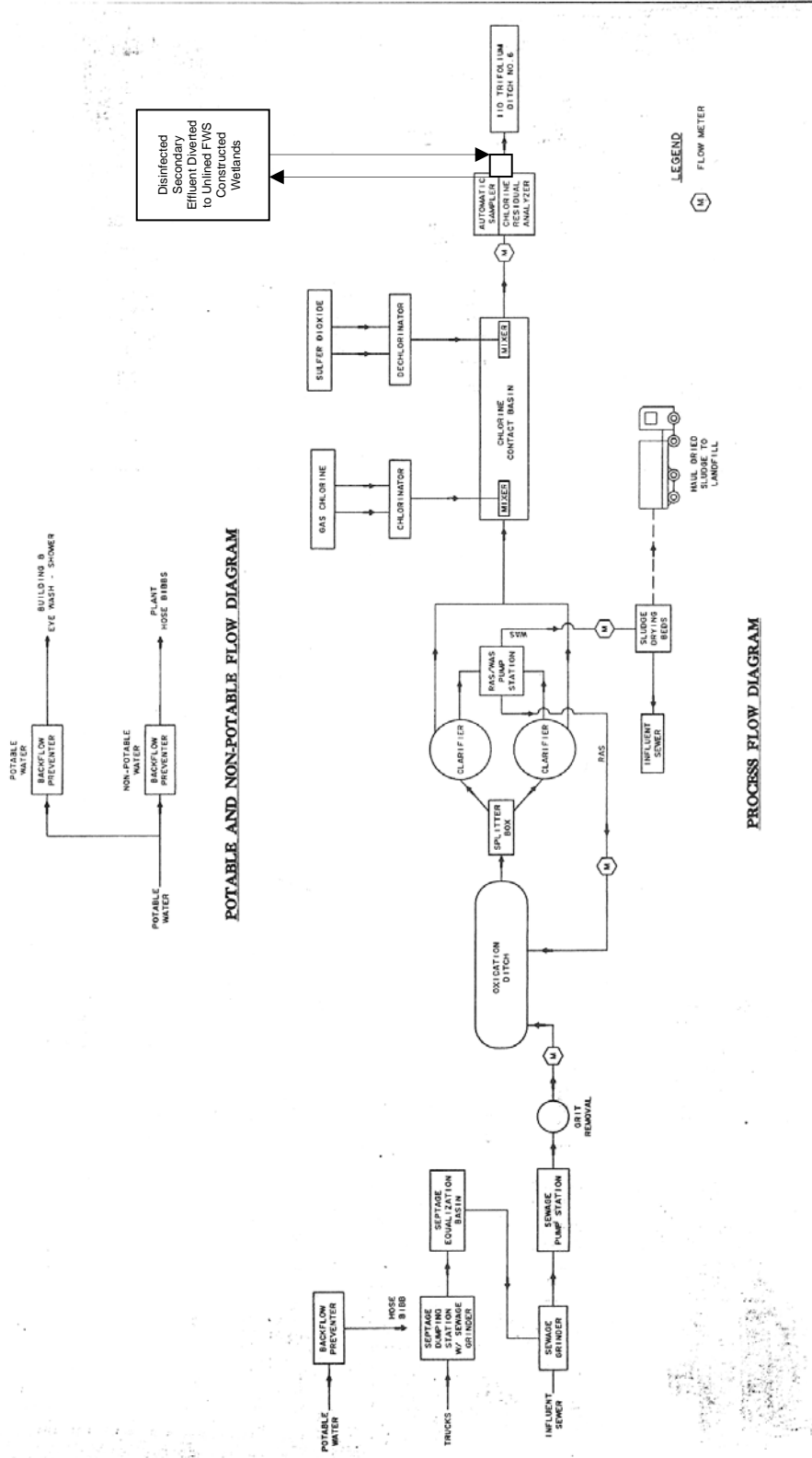


CALIFORNIA REGIONAL WATER QUALITY CONTROL BOARD
 COLORADO RIVER BASIN REGION



POTABLE AND NON-POTABLE FLOW DIAGRAM

PROCESS FLOW DIAGRAM


CITY OF WESTMORLAND
 355 SOUTH CENTER STREET, WESTMORLAND, CA 92286
 PHONE: (760) 344-3413
 FAX: (760) 344-5357

**WASTEWATER TREATMENT
 PLANT IMPROVEMENTS**
PROCESS FLOW DIAGRAM

ATTACHMENT B
WASTEWATER TREATMENT PLANT
PROCESS FLOW DIAGRAM

CITY OF WESTMORLAND, OWNER/OPERATOR
FREE WATER SURFACE CONSTRUCTED WETLANDS
Westmorland – Imperial County

Board Order No. R7-2005-0062