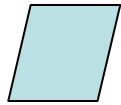


SMR/DMR Data Flow

Compliance Pathway Options

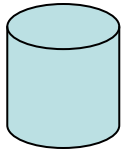
Symbols



= Data (SMR or DMR)



= Application (eSMR or NetDMR)



= Database (CIWQS, ICIS or 3rd Party)



= Data File (EDF, CDF or netDMR File)



= Manual Step/Process



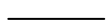
= Automatic or Electronic Step/Process



= Certify and Submit



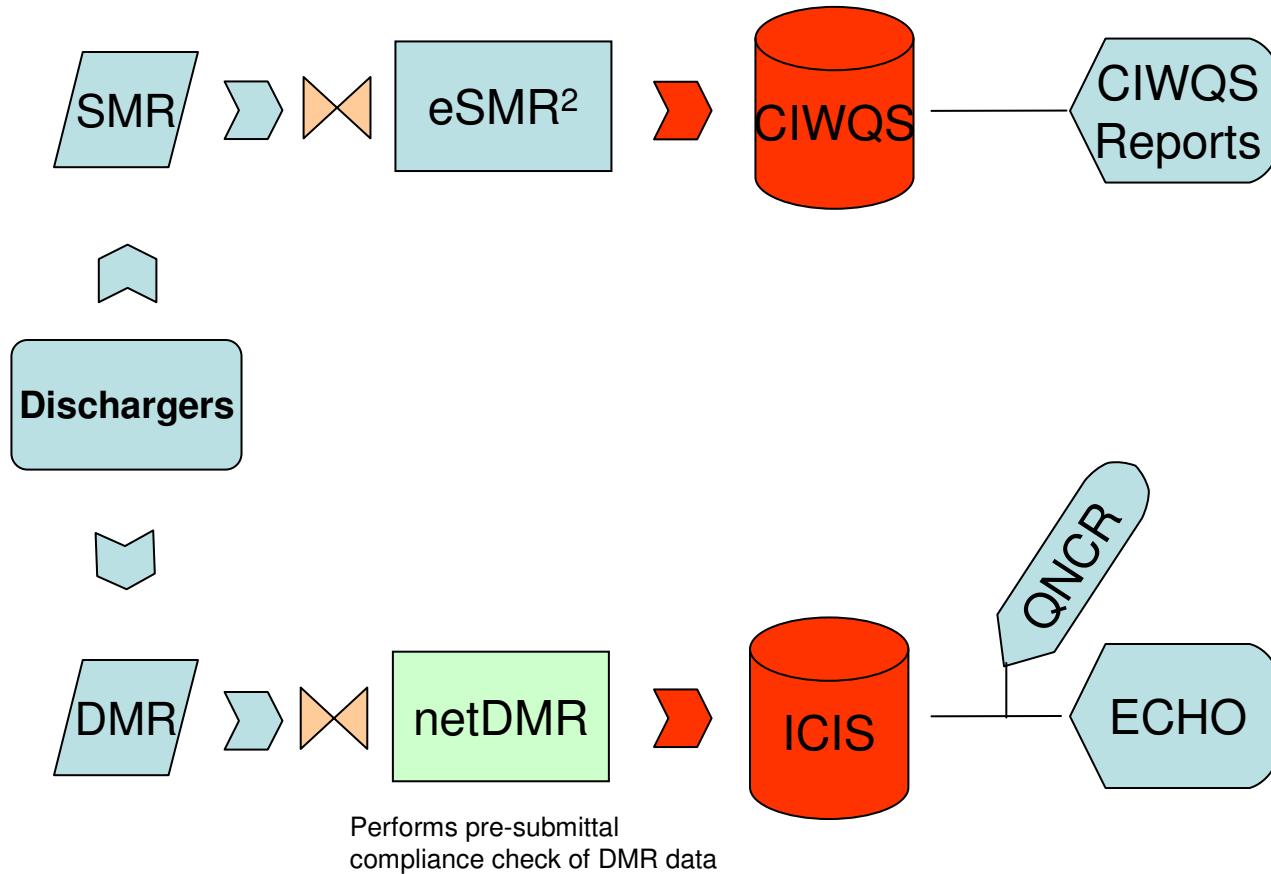
= CROMERR (Cross-Media Electronic Reporting Regulation)



= Pull Data (Reports)

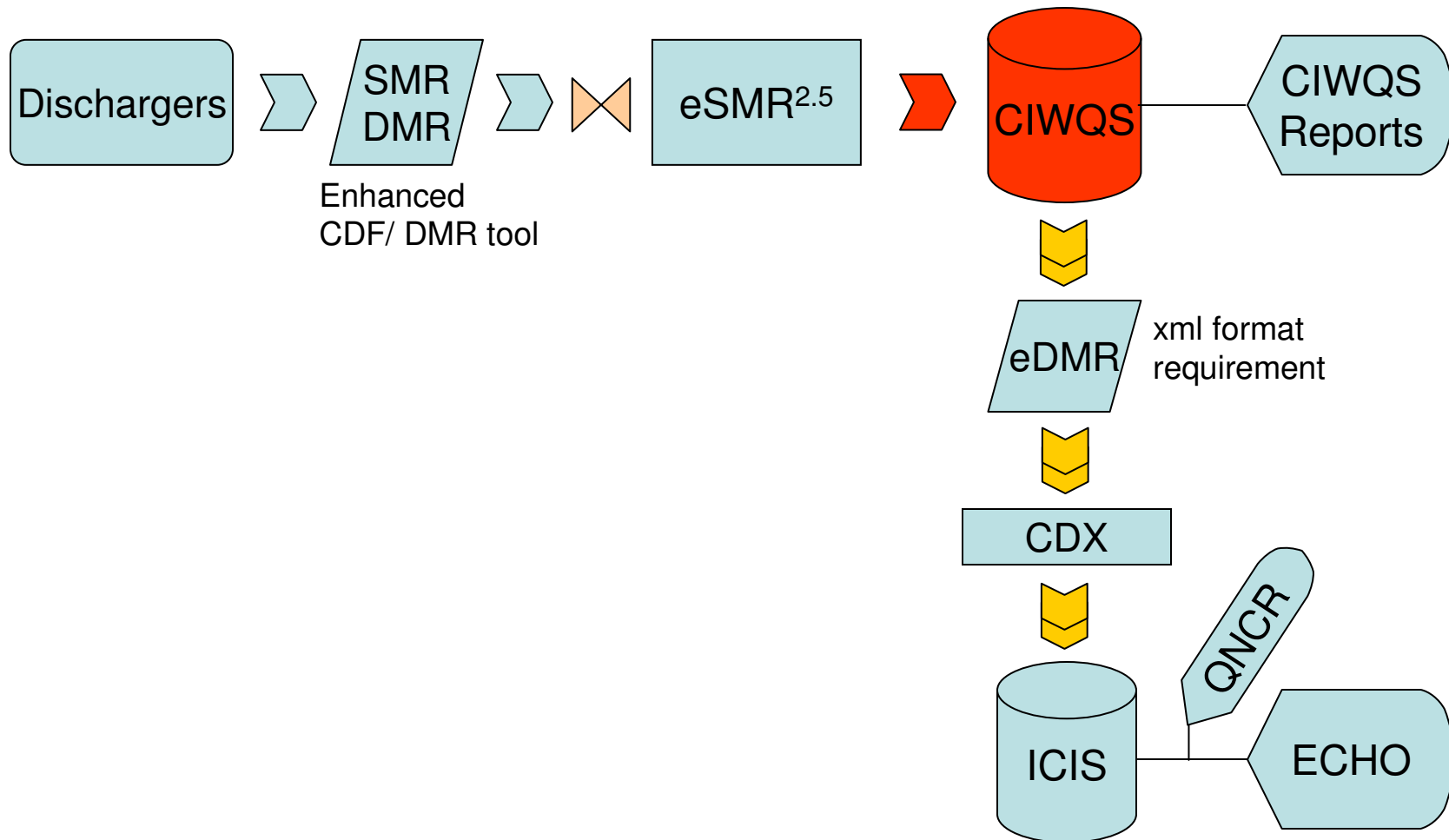
eSMR²/netDMR

Discharger logs into eSMR, enters/uploads data and then logs into DMR enters/uploads data and submits report. NetDMR performs pre-submittal compliance check for DMR data.



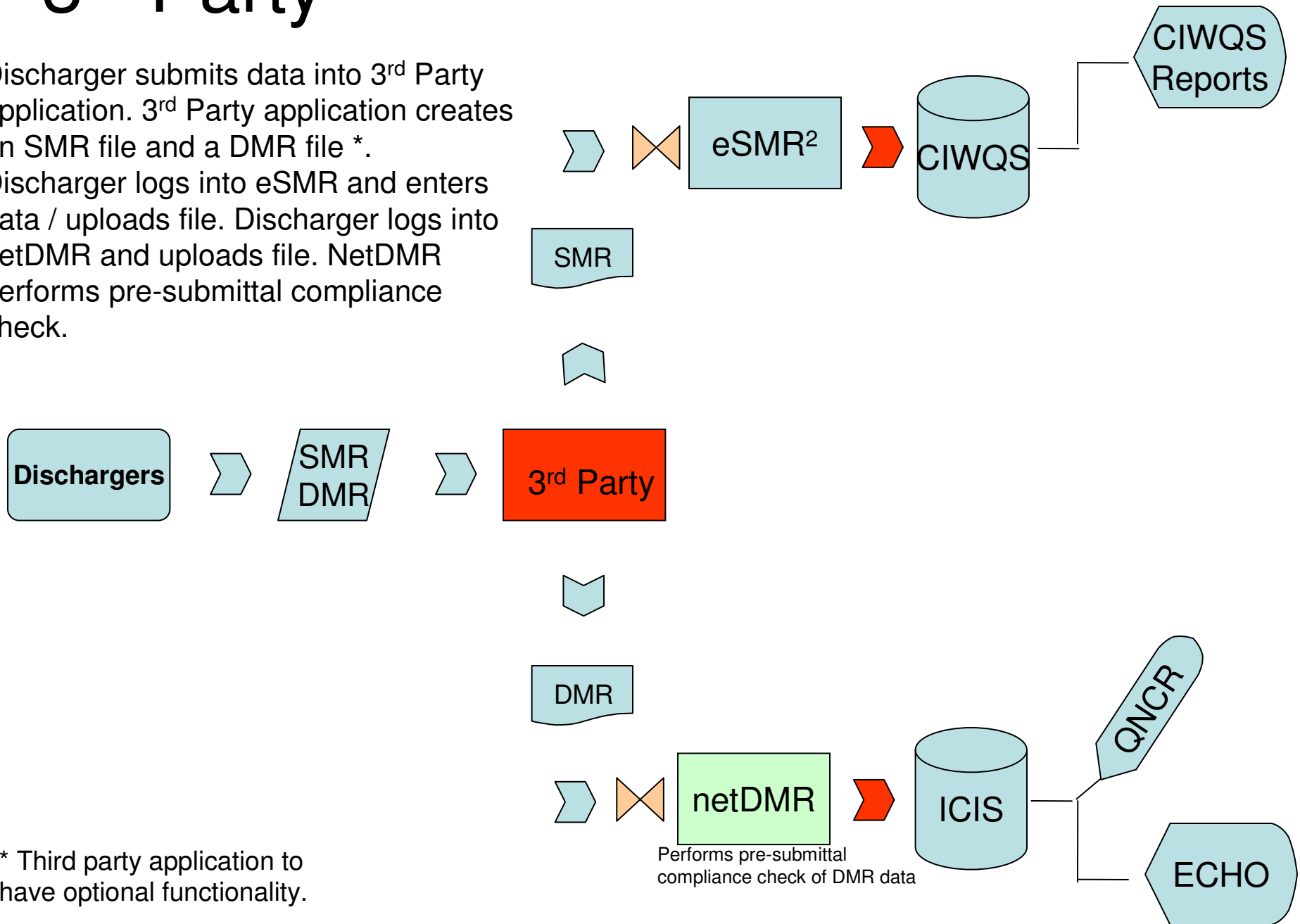
eSMR^{2.5}

Discharger logs into eSMR^{2.5} enters/uploads data and then CIWQS sends DMR data to CDX and submits to ICIS
If there are issues with the way ICIS completed the compliance check, it can be resolved through the ECHO issue tracker.



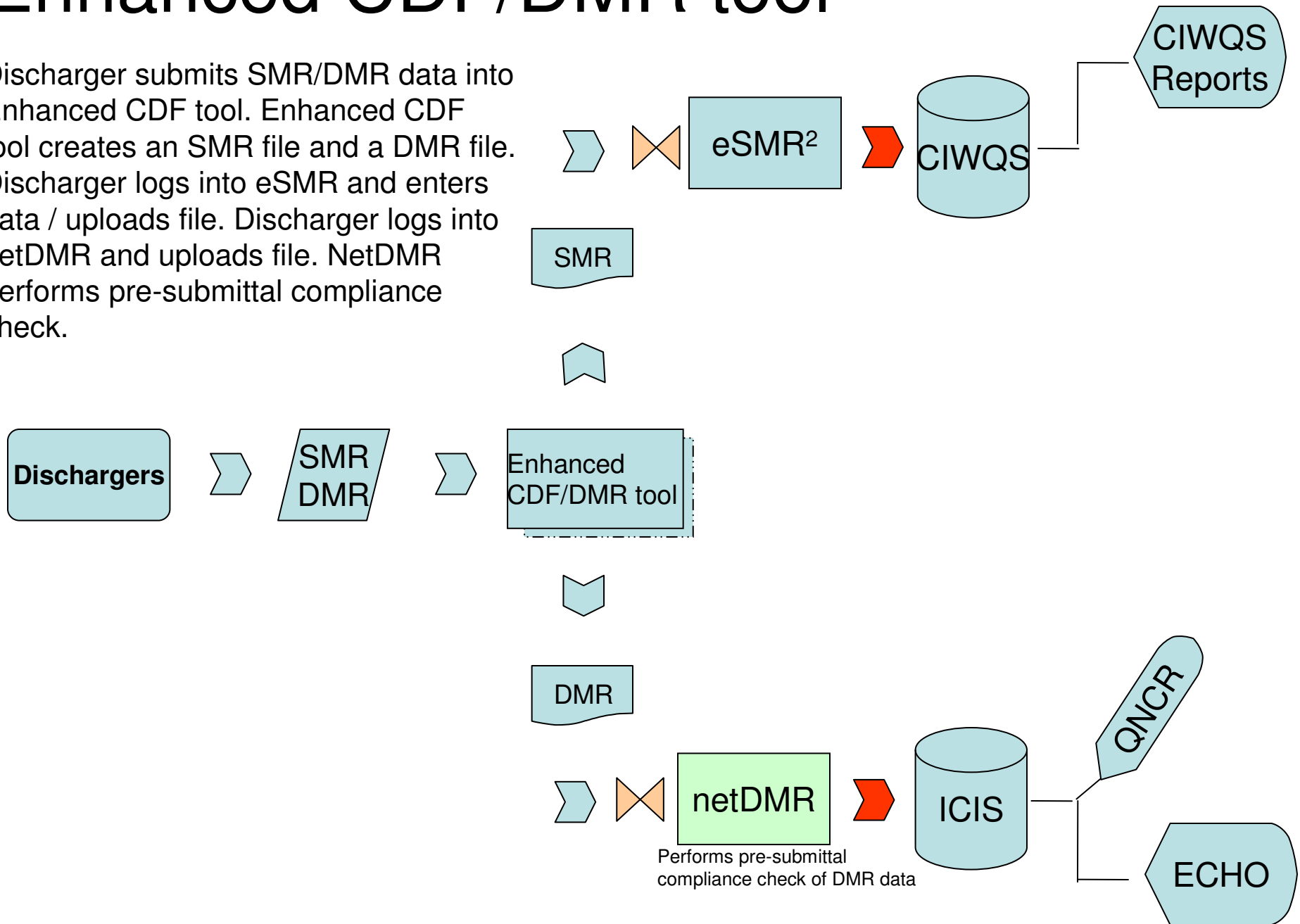
3rd Party

Discharger submits data into 3rd Party application. 3rd Party application creates an SMR file and a DMR file *. Discharger logs into eSMR and enters data / uploads file. Discharger logs into netDMR and uploads file. NetDMR performs pre-submittal compliance check.



Enhanced CDF/DMR tool

Discharger submits SMR/DMR data into Enhanced CDF tool. Enhanced CDF tool creates an SMR file and a DMR file. Discharger logs into eSMR and enters data / uploads file. Discharger logs into netDMR and uploads file. NetDMR performs pre-submittal compliance check.



Pros/Cons

Option	Pros	Cons
eSMR2/netDMR	<ul style="list-style-type: none">• Performs pre-submittal compliance check of DMR data• Almost ready	<ul style="list-style-type: none">• Dual submittal• Prepare two files
eSMR2.5	<ul style="list-style-type: none">• Single submittal• Single preparation point	<ul style="list-style-type: none">• No DMR pre-submittal compliance check• Technically complex (XML Format)• Longer development time
3 rd Party	<ul style="list-style-type: none">• Comfort level with information locally before submittal• Performs pre-submittal compliance check of DMR data• Single preparation point	<ul style="list-style-type: none">• Dual submittal• Introducing a new level of complexity
Enhanced CDF/DMR tool		