

**CALIFORNIA REGIONAL WATER QUALITY CONTROL BOARD
CENTRAL VALLEY REGION**

11020 Sun Center Drive, #200 Rancho Cordova, California 95670-6114
Phone (916) 464-3291 O Fax (916) 464-4645
[Central Valley Home Page](http://www.waterboards.ca.gov/centralvalley) (<http://www.waterboards.ca.gov/centralvalley>)

**NATIONAL POLLUTANT DISCHARGE ELIMINATION SYSTEM (NPDES) CA0081621
ORDER R5-2021-XXXX**

**WASTE DISCHARGE REQUIREMENTS FOR THE
DONNER SUMMIT PUBLIC UTILITY DISTRICT
WASTEWATER TREATMENT PLANT
NEVADA COUNTY**

The following Discharger is subject to waste discharge requirements (WDRs) set forth in this Order:

Table 1. Discharger Information

Discharger:	Donner Summit Public Utility District
Name of Facility:	Wastewater Treatment Plant
Facility Street Address:	53823 Sherritt Lane
Facility City, State, Zip:	Soda Springs, CA 95728
Facility County:	Nevada County

Table 2. Discharge Location

Discharge Point	Effluent Description	Discharge Point Latitude (North)	Discharge Point Longitude (West)	Receiving Water
001	Tertiary Treated Wastewater	39° 20' 04"	120° 24' 09"	South Yuba River

Table 3. Administrative Information

This Order was Adopted on:	22 April 2021
This Order shall become effective on:	1 June 2021
This Order shall expire on:	31 May 2026
The Discharger shall file a Report of Waste Discharge (ROWD) as an application for reissuance of WDRs in accordance with title 23, California Code of Regulations, and an application for reissuance of a NPDES permit no later than:	31 May 2025
The United States Environmental Protection Agency (U.S. EPA) and the California Regional Water Quality Control Board, Central Valley Region have classified this discharge as follows:	Minor Discharge

I, Patrick Pulupa, Executive Officer, do hereby certify that this Order with all attachments is a full, true, and correct copy of the Order adopted by the California Regional Water Quality Control Board, Central Valley Region, on **22 April 2021**.

PATRICK PULUPA, Executive Officer

**WASTE DISCHARGE REQUIREMENTS
TABLE OF CONTENTS**

I. Facility Information 3
II. Findings 3
III. Discharge Prohibitions..... 4
IV. Effluent Limitations and Discharge Specifications 5
 A. Effluent Limitations – Discharge Point 001 5
 1. Final Effluent Limitations – Discharge Point 001 5
 2. Interim Effluent Limitations – Not Applicable..... 6
 B. Land Discharge Specifications..... 6
 C. Recycling Specifications – Snowmaking..... 8
V. Receiving Water Limitations 9
 A. Surface Water Limitations 9
 B. Groundwater Limitations 12
VI. Provisions 12
 A. Standard Provisions..... 12
 B. Monitoring and Reporting Program (MRP) Requirements 17
 C. Special Provisions..... 17
 1. Reopener Provisions..... 17
 2. Special Studies, Technical Reports and Additional Monitoring Requirements 19
 3. Best Management Practices and Pollution Prevention 21
 4. Construction, Operation and Maintenance Specifications..... 21
 5. Special Provisions for Publicly-Owned Treatment Works (POTW's)..... 22
 6. Other Special Provisions..... 23
 7. Compliance Schedules – Not Applicable 23
VII. Compliance Determination 23

TABLES

Table 1. Discharger Information 1
Table 2. Discharge Location 1
Table 3. Administrative Information 1
Table 4. Effluent Limitations 5

ATTACHMENTS

Attachment A – Definitions 1
Attachment B – Map 1
Attachment C – Flow Schematic..... 1
Attachment D – Standard Provisions..... 1
Attachment E – Monitoring and Reporting Program 1
Attachment F – Fact Sheet..... 1
Attachment G – Summary Of Reasonable Potential Analysis 1
Attachment H – Calculation of WQBEL’S 1

I. FACILITY INFORMATION

Information describing the Donner Summit Public Utility District, Wastewater Treatment Plant (Facility) is summarized in Table 1 and in sections I and II of the Fact Sheet (Attachment F). Section I of the Fact Sheet also includes information regarding the Facility's permit application.

II. FINDINGS

The California Regional Water Quality Control Board, Central Valley Region (hereinafter Central Valley Water Board), finds:

- A. Legal Authorities.** This Order serves as waste discharge requirements (WDRs) pursuant to article 4, chapter 4, division 7 of the California Water Code (commencing with section 13260). This Order is also issued pursuant to section 402 of the federal Clean Water Act (CWA) and implementing regulations adopted by the U.S. EPA and chapter 5.5, division 7 of the Water Code (commencing with section 13370). It shall serve as a National Pollutant Discharge Elimination System (NPDES) permit authorizing the Discharger to discharge into waters of the United States at the discharge location described in Table 2 subject to the WDRs in this Order.
- B. California Environmental Quality Act (CEQA).** Under Water Code section 13389, this action to adopt an NPDES permit is exempt from the provisions of chapter 3 of CEQA, (commencing with section 21100) of division 13 of Public Resources Code.
- C. Background and Rationale for Requirements.** The Central Valley Water Board developed the requirements in this Order based on information submitted as part of the application, through monitoring and reporting programs, and other available information. The Fact Sheet (Attachment F), which contains background information and rationale for the requirements in this Order, is hereby incorporated into and constitutes Findings for this Order. Attachments A through E and G through H are also incorporated into this Order.
- D. Provisions and Requirements Implementing State Law.** The provisions/requirements in subsections IV.B, IV.C, V.B, VI.C.4.a, VI.C.4.b, and VI.C.6.a are included to implement state law only. These provisions/requirements are not required or authorized under the federal CWA; consequently, violations of these provisions/requirements are not subject to the enforcement remedies that are available for NPDES violations.
- E. Monitoring and Reporting.** 40 C.F.R. section 122.48 requires that all NPDES permits specify requirements for recording and reporting monitoring results. Water Code sections 13267 and 13383 authorize the Central Valley Water Board to require technical and monitoring reports. The Monitoring and Reporting Program (MRP) establishes monitoring and reporting requirements to implement federal and state requirements. The MRP is provided in Attachment E.

The technical and monitoring reports in this Order are required in accordance with Water Code section 13267, which states the following in subsection (b)(1), "In

conducting an investigation specified in subdivision (a), the regional board may require that any person who has discharged, discharges, or is suspected of having discharged discharging, or who proposes to discharge waste within its region, or any citizen or domiciliary, or political agency or entity of this state who has discharged, discharges, or is suspected of having discharged or discharging, or who proposes to discharge, waste outside of its region could affect the quality of waters within its region shall furnish, under penalty of perjury, technical or monitoring program reports which the regional board requires. The burden, including costs, of these reports shall bear a reasonable relationship to the need for the report and the benefits to be obtained from the reports. In requiring those reports, the regional board shall provide the person with a written explanation with regard to the need for the reports and shall identify the evidence that supports requiring that person to provide the reports.”

The Discharger owns and operates the Facility subject to this Order. The monitoring reports required by this Order are necessary to determine compliance with this Order. The need for the monitoring reports is discussed in the Fact Sheet.

- F. Notification of Interested Persons.** The Central Valley Water Board has notified the Discharger and interested agencies and persons of its intent to prescribe WDRs for the discharge and has provided them with an opportunity to submit their written comments and recommendations. Details of the notification are provided in the Fact Sheet.
- G. Consideration of Public Comment.** The Central Valley Water Board, in a public meeting, heard and considered all comments pertaining to the discharge. Details of the Public Hearing are provided in the Fact Sheet.

THEREFORE, IT IS HEREBY ORDERED that Order R5-2015-0068-01 is rescinded upon the effective date of this Order except for enforcement purposes, and, in order to meet the provisions contained in division 7 of the Water Code (commencing with section 13000) and regulations adopted thereunder, and the provisions of the CWA and regulations and guidelines adopted thereunder, the Discharger shall comply with the requirements in this Order. This action in no way prevents the Central Valley Water Board from taking enforcement action for violations of the previous Order.

III. DISCHARGE PROHIBITIONS

- A.** Discharge of wastewater from the Facility, as the Facility is specifically described in the Fact Sheet in section II.B, in a manner different from that described in this Order is prohibited.
- B.** Discharge of wastewater to the South Yuba River from Discharge Point 001 from 1 August through 30 September is prohibited.
- C.** The bypass or overflow of wastes to surface waters is prohibited, except as allowed by Federal Standard Provisions I.G. and I.H. (Attachment D).

- D. Neither the discharge nor its treatment shall create a nuisance as defined in section 13050 of the Water Code.
- E. Discharge of waste classified as ‘hazardous’, as defined in the California Code of Regulations (CCR), title 22, section 66261.1 et seq., is prohibited.
- F. **Average Dry Weather Flow.** Discharges exceeding an average dry weather flow of 0.52 million gallons per day (MGD) are prohibited.

IV. EFFLUENT LIMITATIONS AND DISCHARGE SPECIFICATIONS

A. Effluent Limitations – Discharge Point 001

1. Final Effluent Limitations – Discharge Point 001

The Discharger shall maintain compliance with the following effluent limitations at Discharge Point 001. Unless otherwise specified, compliance shall be measured at Monitoring Location EFF-001, as described in the MRP, Attachment E:

- a. The Discharger shall maintain compliance with the effluent limitations specified in Table 4:

Table 4. Effluent Limitations

Parameters	Units	Average Monthly	Average Weekly	Maximum Daily
Biochemical Oxygen Demand 5-day @ 20°Celsius	milligrams per liter (mg/L)	10	15	--
Total Suspended Solids	mg/L	10	15	--
Copper, Total Recoverable	micrograms per liter (µg/L)	6.0	--	18
Lead, Total Recoverable	µg/L	0.72	--	1.5
Nickel, Total Recoverable	µg/L	22	--	43
Silver, Total Recoverable	µg/L	0.23	--	0.45
Zinc, Total Recoverable	µg/L	30	--	60
Ammonia Nitrogen, Total (as N)	mg/L	1.8	3.8	--
Nitrate Plus Nitrite, Total (as N)	mg/L	10	22	--

- b. **pH:**
 - i. 6.5 standard units (SU) as an instantaneous minimum.
 - ii. 8.5 SU as an instantaneous maximum.
- c. **Percent Removal:** The average monthly percent removal of 5-day biochemical oxygen demand (BOD₅) and total suspended solids (TSS) shall not be less than 85 percent.
- d. **Acute Whole Effluent Toxicity (WET).** Survival of aquatic organisms in 96-hour bioassays of undiluted waste shall be no less than:
 - i. 70 percent, minimum for any one bioassay; and
 - ii. 90 percent, median for any three consecutive bioassays.
- e. **Total Coliform Organisms.** Effluent total coliform organisms shall not exceed the following with compliance measured at Monitoring Location UVS-002:
 - i. 2.2 most probable number per 100 milliliters (MPN/100 mL), as a 7-day median;
 - ii. 23 MPN/100mL, more than once in any 30-day period.
 - iii. 240 MPN/100mL, at any time.
- f. **Electrical Conductivity @ 25°C.** The effluent calendar year annual average electrical conductivity shall not exceed 500 µmhos/cm.

2. Interim Effluent Limitations – Not Applicable

B. Land Discharge Specifications

1. The monthly average discharge flow shall not exceed 0.52 MGD.
2. The discharge of waste classified as “hazardous” as defined in section 2521(a) of Title 23, CCR, is prohibited.
3. The discharge or runoff of effluent from the spray irrigation to surface water drainage courses is prohibited.
4. Discharge to land shall not be performed during rainfall, when measurable snow is on the ground, or when the ground is saturated.
5. Objectionable odors originating at the Facility shall not be perceivable beyond the limits of the wastewater treatment and disposal areas.

6. There shall be no standing water in the disposal area 24 hours after wastewater is applied.
7. Hydraulic loading of wastewater shall be at reasonable rates to prevent off-site runoff.
8. Public contact with effluent shall be precluded through such means as fences, signs, or other acceptable alternatives.
9. The Discharger shall manage land discharge facilities to prevent breeding of mosquitoes. More specifically for:
 - a. Irrigation Areas
 - i. All applied irrigation water must infiltrate completely within 24 hours.
 - ii. Ditches not serving as wildlife habitat should be maintained free of emergent, marginal, and floating vegetation.
 - iii. Low-pressure and un-pressurized pipelines and ditches, which are accessible to mosquitoes, shall not be used to store reclaimed water.
 - b. Ponds
 - i. An erosion control program should assure that small coves and irregularities are not created around the perimeter of the water surface.
 - ii. Weeds shall be minimized.
 - iii. Dead algae, vegetation, and debris shall not accumulate on the water surface.
 - iv. The Discharger shall consult and coordinate with the local Mosquito Abatement District to minimize the potential for mosquito breeding as needed to supplement the above measures.
10. Discharges to the spray irrigation fields shall be managed to minimize erosion. Runoff from the disposal area must be captured and returned to the treatment facilities or spray fields.
11. A 50-foot buffer zone shall be maintained between any watercourse and the wetted area produced during irrigation used for effluent disposal.
12. A 100-foot buffer zone shall be maintained between any spring, domestic well or irrigation well and the wetted area produced during irrigation used for effluent disposal.
13. A 50-foot buffer zone shall be maintained between effluent disposal areas and all property boundaries.

C. Recycling Specifications – Snowmaking

The Discharger reclaims Title 22 disinfected tertiary treated wastewater for snowmaking at the Soda Springs Mountain Resort. The Discharger submitted its Title 22 Engineering Report dated 22 July 2015 and titled Engineering Report for the Production, Distribution, and Use of Recycled Water (Title 22 Report) to the Division of Drinking Water (DDW) for approval on 29 July 2015. On 23 September 2015, the DDW notified the Central Valley Water Board of its approval of the recycled water use for snowmaking in accordance with Water Code section 13554.2(e) and the Title 22 Report. The Discharger received approval to commence the use of recycled water for snowmaking from the Executive Officer on 24 September 2015. When recycling disinfected tertiary treated wastewater, the Discharger shall meet the specifications below:

1. Use of reclaimed wastewater is restricted to snowmaking at the Soda Springs Mountain Resort.
2. Recycled water used for artificial snow making for commercial outdoor use shall be disinfected tertiary recycled water (Title 22, section 60307).
3. Disinfected tertiary recycled water (Title 22, section 60301.230) shall be filtered wastewater that has been disinfected by a disinfection process that, when combined with the filtration process, has been demonstrated to inactivate and/or remove 99.999 percent of the plaque-forming units of F-specific bacteriophage MS2, or polio virus in the wastewater. A virus that is at least as resistant to disinfection as polio virus may be used for purposes of the demonstration. The median concentration of total coliform bacteria measured in the disinfected effluent does not exceed an MPN of 2.2 per 100 milliliters utilizing the bacteriological results of the last seven days for which analyses have been completed and the number of total coliform bacteria does not exceed an MPN of 23 per 100 milliliters in more than one sample in any 30 day period. No sample shall exceed an MPN of 240 total coliform bacteria per 100 milliliters.
4. Filtered wastewater (Title 22, section 60302.320(b)) means an oxidized wastewater that has been passed through a microfiltration, ultrafiltration, nanofiltration, or reverse osmosis membrane so that the turbidity of the filtered wastewater does not exceed 0.2 NTU more than 5 percent of the time within a 24-hour period and does not exceed 0.5 NTU at any time.
5. Neither the treatment nor the use of reclaimed water shall cause a pollution or nuisance as defined by section 13050 of the Water Code.
6. The use of reclaimed water shall not cause degradation of groundwater or any water supply.
7. Reclaimed water shall be managed in conformance with the regulations contained in Title 22, division 4, chapter 3, CCR.

8. All reclamation equipment, pumps, piping, valves, and outlets shall be appropriately marked to differentiate them from potable facilities. All reclamation distribution system piping shall be purple or adequately wrapped with purple tape.
9. Perimeter warning signs indicating that reclaimed water is in use shall be posted as prescribed in the Title 22 Engineers Report that is subject to approval by the Central Valley Water Board and the DDW.
10. Reclaimed water shall not be allowed to escape from the authorized use areas by airborne spray or by surface flow except in minor amounts such as associated with good irrigation or snowmaking practices.
11. Disinfected tertiary recycled water for snowmaking does not pose a public health threat; therefore, it is unnecessary to regulate snowmelt runoff.
12. There shall be at least a 10-foot horizontal and 1-foot vertical separation at crossing between all pipelines transporting reclaimed water and those transporting domestic supply, with the domestic supply above the reclaimed water pipeline, unless approved by the DDW. All construction standards for the reclaimed water system shall be submitted to DDW as part of the Title 22 Engineers Report for Reclaimed Water System. The discharge shall not commence use of reclaimed water until DDW has approved the Title 22 Engineers Report for the reclamation system construction and operation.
13. There shall be no cross-connection between potable water supply and piping containing reclaimed water. Supplementing reclaimed water with potable shall not be allowed except through an air-gap separation, or if approved by the DDW, a reduced pressure principle backflow device.
14. The reclaimed water piping system shall not include any hose bibs, except at the treatment plant, on hose bibs with appropriate signage.

V. RECEIVING WATER LIMITATIONS

A. Surface Water Limitations

The discharge shall not cause the following in South Yuba River:

1. **Biostimulatory Substances.** Water to contain biostimulatory substances that promote aquatic growths in concentrations that cause nuisance or adversely affect beneficial uses.
2. **Chemical Constituents.** Chemical constituents to be present in concentrations that adversely affect beneficial uses.
3. **Color.** Discoloration that causes nuisance or adversely affects beneficial uses.

4. **Dissolved Oxygen:**
 - a. The monthly median of the mean daily dissolved oxygen concentration to fall below 85 percent of saturation in the main water mass;
 - b. The 95th percentile dissolved oxygen concentration to fall below 75 percent of saturation; nor
 - c. The dissolved oxygen concentration to be reduced below 7.0 mg/L at any time.
5. **Floating Material.** Floating material to be present in amounts that cause nuisance or adversely affect beneficial uses.
6. **Oil and Grease.** Oils, greases, waxes, or other materials to be present in concentrations that cause nuisance, result in a visible film or coating on the surface of the water or on objects in the water, or otherwise adversely affect beneficial uses.
7. **pH.** The pH to be depressed below 6.5 nor raised above 8.5.
8. **Pesticides:**
 - a. Pesticides to be present, individually or in combination, in concentrations that adversely affect beneficial uses;
 - b. Pesticides to be present in bottom sediments or aquatic life in concentrations that adversely affect beneficial uses;
 - c. Total identifiable persistent chlorinated hydrocarbon pesticides to be present in the water column at concentrations detectable within the accuracy of analytical methods approved by U.S. EPA or the Executive Officer;
 - d. Pesticide concentrations to exceed those allowable by applicable antidegradation policies (see State Water Board Resolution 68-16 and 40 C.F.R. section 131.12.);
 - e. Pesticide concentrations to exceed the lowest levels technically and economically achievable;
 - f. Pesticides to be present in concentration in excess of the maximum contaminant levels (MCLs) set forth in CCR, Title 22, division 4, chapter 15; nor
 - g. Thiobencarb to be present in excess of 1.0 µg/L.

9. **Radioactivity:**
 - a. Radionuclides to be present in concentrations that are harmful to human, plant, animal, or aquatic life nor that result in the accumulation of radionuclides in the food web to an extent that presents a hazard to human, plant, animal, or aquatic life.
 - b. Radionuclides to be present in excess of the MCLs specified in Table 64442 of section 64442 and Table 64443 of section 64443 of Title 22 of the CCR.
10. **Suspended Sediments.** The suspended sediment load and suspended sediment discharge rate of surface waters to be altered in such a manner as to cause nuisance or adversely affect beneficial uses.
11. **Settleable Substances.** Substances to be present in concentrations that result in the deposition of material that causes nuisance or adversely affects beneficial uses.
12. **Suspended Material.** Suspended material to be present in concentrations that cause nuisance or adversely affect beneficial uses.
13. **Taste and Odors.** Taste- or odor-producing substances to be present in concentrations that impart undesirable tastes or odors to fish flesh or other edible products of aquatic origin, or that cause nuisance, or otherwise adversely affect beneficial uses.
14. **Temperature.** The natural temperature to be increased by more than 5°F. Compliance to be determined based on the difference in temperature at Monitoring Locations RSW-001 and RSW-002.
15. **Toxicity.** Toxic substances to be present, individually or in combination, in concentrations that produce detrimental physiological responses in human, plant, animal, or aquatic life.
16. **Turbidity:**
 - a. Shall not exceed 2 Nephelometric Turbidity Units (NTU) where natural turbidity is less than 1 NTU;
 - b. Shall not increase more than 1 NTU where natural turbidity is between 1 and 5 NTU;
 - c. Shall not increase more than 20 percent where natural turbidity is between 5 and 50 NTU;
 - d. Shall not increase more than 10 NTU where natural turbidity is between 50 and 100 NTU; nor

- e. Shall not increase more than 10 percent where natural turbidity is greater than 100 NTU.

B. Groundwater Limitations

Release of waste constituents from any storage, treatment, or disposal component associated with the Facility, in combination with other sources, shall not cause the underlying groundwater to contain waste constituents in concentrations greater than background water quality or water quality objectives, whichever is greater. The discharge shall not cause the groundwater to exceed water quality objectives, unreasonably affect beneficial uses, or cause a condition of pollution or nuisance.

VI. PROVISIONS

A. Standard Provisions

1. The Discharger shall comply with all Standard Provisions included in Attachment D.
2. The Discharger shall comply with the following provisions. In the event that there is any conflict, duplication, or overlap between provisions specified by this Order, the more stringent provision shall apply:
 - a. If the Discharger's wastewater treatment plant is publicly owned or subject to regulation by California Public Utilities Commission, it shall be supervised and operated by persons possessing certificates of appropriate grade according to Title 23, CCR, division 3, chapter 26.
 - b. After notice and opportunity for a hearing, this Order may be terminated or modified for cause, including, but not limited to:
 - i. Violation of any term or condition contained in this Order;
 - ii. Obtaining this Order by misrepresentation or by failing to disclose fully all relevant facts;
 - iii. A change in any condition that requires either a temporary or permanent reduction or elimination of the authorized discharge; and
 - iv. A material change in the character, location, or volume of discharge.

The causes for modification include:

- i. New regulations. New regulations have been promulgated under section 405(d) of the CWA, or the standards or regulations on which the permit was based have been changed by promulgation of amended standards or regulations or by judicial decision after the permit was issued.

- ii. Land application plans. When required by a permit condition to incorporate a land application plan for beneficial reuse of sewage sludge, to revise an existing land application plan, or to add a land application plan.
- iii. Change in sludge use or disposal practice. Under 40 C.F.R. section 122.62(a)(1), a change in the Discharger's sludge use or disposal practice is a cause for modification of the permit. It is cause for revocation and reissuance if the Discharger requests or agrees.

The Central Valley Water Board may review and revise this Order at any time upon application of any affected person or the Central Valley Water Board's own motion.

- c. If a toxic effluent standard or prohibition (including any scheduled compliance specified in such effluent standard or prohibition) is established under section 307(a) of the CWA, or amendments thereto, for a toxic pollutant that is present in the discharge authorized herein, and such standard or prohibition is more stringent than any limitation upon such pollutant in this Order, the Central Valley Water Board will revise or modify this Order in accordance with such toxic effluent standard or prohibition.

The Discharger shall comply with effluent standards and prohibitions within the time provided in the regulations that establish those standards or prohibitions, even if this Order has not yet been modified.

- d. This Order shall be modified, or alternately revoked and reissued, to comply with any applicable effluent standard or limitation issued or approved under sections 301(b)(2)(C) and (D), 304(b)(2), and 307(a)(2) of the CWA, if the effluent standard or limitation so issued or approved:
 - i. Contains different conditions or is otherwise more stringent than any effluent limitation in the Order; or
 - ii. Controls any pollutant limited in the Order.

The Order, as modified or reissued under this paragraph, shall also contain any other requirements of the CWA then applicable.

- e. The provisions of this Order are severable. If any provision of this Order is found invalid, the remainder of this Order shall not be affected.
- f. The Discharger shall take all reasonable steps to minimize any adverse effects to waters of the state or users of those waters resulting from any discharge or sludge use or disposal in violation of this Order. Reasonable steps shall include such accelerated or additional monitoring as necessary

to determine the nature and impact of the non-complying discharge or sludge use or disposal.

- g. The Discharger shall ensure compliance with any existing or future pretreatment standard promulgated by U.S. EPA under section 307 of the CWA, or amendment thereto, for any discharge to the municipal system.
- h. A copy of this Order shall be maintained at the discharge facility and be available at all times to operating personnel. Key operating personnel shall be familiar with its content.
- i. Safeguard to electric power failure:
 - i. The Discharger shall provide safeguards to assure that, should there be reduction, loss, or failure of electric power, the discharge shall comply with the terms and conditions of this Order.
 - ii. Upon written request by the Central Valley Water Board, the Discharger shall submit a written description of safeguards. Such safeguards may include alternate power sources, standby generators, retention capacity, operating procedures, or other means. A description of the safeguards provided shall include an analysis of the frequency, duration, and impact of power failures experienced over the past 5 years on effluent quality and on the capability of the Discharger to comply with the terms and conditions of the Order. The adequacy of the safeguards is subject to the approval of the Central Valley Water Board.
 - iii. Should the treatment works not include safeguards against reduction, loss, or failure of electric power, or should the Central Valley Water Board not approve the existing safeguards, the Discharger shall, within 90 days of having been advised in writing by the Central Valley Water Board that the existing safeguards are inadequate, provide to the Central Valley Water Board and U.S. EPA a schedule of compliance for providing safeguards such that in the event of reduction, loss, or failure of electric power, the Discharger shall comply with the terms and conditions of this Order. The schedule of compliance shall, upon approval of the Central Valley Water Board, become a condition of this Order.
- j. The Discharger, upon written request of the Central Valley Water Board, shall file with the Board a technical report on its preventive (failsafe) and contingency (cleanup) plans for controlling accidental discharges, and for minimizing the effect of such events. This report may be combined with that required under the Central Valley Water Board Standard Provision contained in section VI.A.2.i of this Order.

The technical report shall:

- i. Identify the possible sources of spills, leaks, untreated waste by-pass, and contaminated drainage. Loading and storage areas, power outage, waste treatment unit outage, and failure of process equipment, tanks and pipes should be considered.
- ii. Evaluate the effectiveness of present facilities and procedures and state when they became operational.
- iii. Predict the effectiveness of the proposed facilities and procedures and provide an implementation schedule containing interim and final dates when they will be constructed, implemented, or operational.

The Central Valley Water Board, after review of the technical report, may establish conditions which it deems necessary to control accidental discharges and to minimize the effects of such events. Such conditions shall be incorporated as part of this Order, upon notice to the Discharger.

- k. A publicly owned treatment works whose waste flow has been increasing, or is projected to increase, shall estimate when flows will reach hydraulic and treatment capacities of its treatment and disposal facilities. The projections shall be made in January, based on the last 3 years' average dry weather flows, peak wet weather flows and total annual flows, as appropriate. When any projection shows that capacity of any part of the facilities may be exceeded in 4 years, the Discharger shall notify the Central Valley Water Board by 31 January. A copy of the notification shall be sent to appropriate local elected officials, local permitting agencies and the press. Within 120 days of the notification, the Discharger shall submit a technical report showing how it will prevent flow volumes from exceeding capacity or how it will increase capacity to handle the larger flows. The Central Valley Water Board may extend the time for submitting the report.
- l. The Discharger shall submit technical reports as directed by the Executive Officer. All technical reports required herein that involve planning, investigation, evaluation, or design, or other work requiring interpretation and proper application of engineering or geologic sciences, shall be prepared by or under the direction of persons registered to practice in California pursuant to California Business and Professions Code, sections 6735, 7835, and 7835.1. To demonstrate compliance with Title 16, CCR, sections 415 and 3065, all technical reports must contain a statement of the qualifications of the responsible registered professional(s). As required by these laws, completed technical reports must bear the signature(s) and seal(s) of the registered professional(s) in

a manner such that all work can be clearly attributed to the professional responsible for the work.

- m. The Central Valley Water Board is authorized to enforce the terms of this permit under several provisions of the Water Code, including, but not limited to, sections 13385, 13386, and 13387.
- n. In the event of any change in control or ownership of land or waste discharge facilities presently owned or controlled by the Discharger, the Discharger shall notify the succeeding owner or operator of the existence of this Order by letter, a copy of which shall be immediately forwarded to the Central Valley Water Board.
- o. To assume operation under this Order, the succeeding owner or operator must apply in writing to the Executive Officer requesting transfer of the Order. The request must contain the requesting entity's full legal name, the state of incorporation if a corporation, address and telephone number of the persons responsible for contact with the Central Valley Water Board and a statement. The statement shall comply with the signatory and certification requirements in the federal Standard Provisions (Attachment D, section V.B) and state that the new owner or operator assumes full responsibility for compliance with this Order. Failure to submit the request shall be considered a discharge without requirements, a violation of the Water Code. Transfer shall be approved or disapproved in writing by the Executive Officer.
- p. Failure to comply with provisions or requirements of this Order, or violation of other applicable laws or regulations governing discharges from this facility, may subject the Discharger to administrative or civil liabilities, criminal penalties, and/or other enforcement remedies to ensure compliance. Additionally, certain violations may subject the Discharger to civil or criminal enforcement from appropriate local, state, or federal law enforcement entities.
- q. In the event the Discharger does not comply or will be unable to comply for any reason, with any prohibition, effluent limitation, or receiving water limitation of this Order, the Discharger shall notify the Central Valley Water Board by telephone (916) 464-3291 within 24 hours of having knowledge of such noncompliance, and shall confirm this notification in writing within five days, unless the Central Valley Water Board waives confirmation. The written notification shall state the nature, time, duration, and cause of noncompliance, and shall describe the measures being taken to remedy the current noncompliance and prevent recurrence including, where

applicable, a schedule of implementation. Other noncompliance requires written notification as above at the time of the normal monitoring report.

B. Monitoring and Reporting Program (MRP) Requirements

The Discharger shall comply with the MRP, and future revisions thereto, in Attachment E.

C. Special Provisions

1. Reopener Provisions

- a. Conditions that necessitate a major modification of a permit are described in 40 C.F.R. section 122.62, including, but not limited to:
 - i. If new or amended applicable water quality standards are promulgated or approved pursuant to section 303 of the CWA, or amendments thereto, this permit may be reopened and modified in accordance with the new or amended standards.
 - ii. When new information, that was not available at the time of permit issuance, would have justified different permit conditions at the time of issuance.
- b. This Order may be reopened for modification, or revocation and reissuance, as a result of the detection of a reportable priority pollutant generated by special conditions included in this Order. These special conditions may be, but are not limited to, fish tissue sampling, whole effluent toxicity, monitoring requirements on internal waste stream(s), and monitoring for surrogate parameters. Additional requirements may be included in this Order as a result of the special condition monitoring data.
- c. **Mercury.** If mercury is found to be causing toxicity based on acute or chronic toxicity test results, or if a Total Maximum Daily Load (TMDL) program is adopted, this Order shall be reopened, and a mass effluent limitation and/or an effluent concentration limitation imposed. If the Central Valley Water Board determines that a mercury offset program is feasible for dischargers subject to an NPDES permit, then this Order may be reopened to reevaluate a mercury mass loading limitation(s) and the need for a mercury offset program for the Discharger.
- d. **Whole Effluent Toxicity (WET).** As a result of a Toxicity Reduction Evaluation (TRE), this Order may be reopened to include a new chronic toxicity effluent limitation, a revised acute toxicity effluent limitation, and/or an effluent limitation for a specific toxicant identified in a TRE. Additionally, if the State Water Resources Control Board (State Water Board) revises the Policy for Implementation of Toxics Standards for Inland Surface Waters, Enclosed Bays, and Estuaries of California (State Implementation

Policy or SIP) toxicity control provisions, this Order may be reopened to implement the new provisions.

- e. **Water Effects Ratios (WERs) and Metal Translators.** With the exception of copper, a default WER of 1.0 has been used in this Order for calculating criteria for applicable inorganic constituents. A site specific WER of 2.72 has been retained from the previous permit and used to calculate criteria for total recoverable copper. In addition, default dissolved-to-total metal translators have been used to convert water quality objectives from dissolved to total recoverable. If the Discharger performs studies to determine site-specific WERs and/or site-specific dissolved-to-total metal translators, this Order may be reopened to modify the effluent limitations for the applicable inorganic constituents.
- f. **Ultraviolet Light (UV) Disinfection Operating Specifications.** The UV operating specifications in this Order are based on the UV guidelines developed by the National Water Research Institute and American Water Works Association Research Foundation titled, "Ultraviolet Disinfection Guidelines for Drinking Water and Water Reuse." If the Discharger conducts a site-specific UV engineering study that identifies site-specific UV operating specifications that will achieve the virus inactivation equivalent to Title 22 disinfected tertiary recycled water, this Order may be reopened to modify the UV operating specifications.
- g. **Mixing Zone.** If the Discharger decides to pursue future Central Valley Water Board approval of dilution for its surface water discharge, the Discharger must conduct and submit a mixing zone study that identifies the mixing zone boundaries based on receiving water flow data collected in the vicinity of the discharge location. This Order may be reopened to add or modify effluent limitations, requirements and provisions based on new and approved mixing zone information.
- h. **Hardness Dependent Metals Criteria.** The Discharger requested a time schedule order for compliance with the final effluent limitations for copper, nickel, lead, silver, and zinc. The time schedule order specifies the implementation of operational changes or Facility upgrades the Discharger will perform in order to comply with the final effluent limitations. If there are operational changes and/or Facility upgrades that affect the calculation of the hardness dependent metals criteria, this Order may be reopened to re-evaluate the criteria and remove or modify effluent limitations, monitoring requirements, and/or provisions based on the new information.
- i. **Seasonal Discharge Prohibition.** If the Discharger decides to pursue removal of the seasonal discharge prohibition in section III.B of this Order, the Discharger must submit a supplemental antidegradation analysis as described in section VI.B.1.f of the Fact Sheet. This Order may be

reopened to remove the seasonal discharge prohibition based on an approved supplemental antidegradation analysis.

- j. **Central Valley Salinity Alternatives for Long-Term Sustainability (CV-SALTS).** On 17 January 2020, certain Basin Plan Amendments to incorporate new strategies for addressing ongoing salt and nitrate accumulation in the Central Valley became effective. Other provisions subject to U.S. EPA approval became effective on 2 November 2020, when approved by U.S. EPA. As the Central Valley Water Board moves forward to implement those provisions that are now in effect, this Order may be amended or modified to incorporate new or modified requirements necessary for implementation of the Basin Plan Amendments. More information regarding these Amendments can be found on the [Central Valley Salinity Alternatives for Long-Term Sustainability \(CV-SALTS\) web page](https://www.waterboards.ca.gov/centralvalley/water_issues/salinity/):
(https://www.waterboards.ca.gov/centralvalley/water_issues/salinity/)

2. Special Studies, Technical Reports and Additional Monitoring Requirements

- a. **Toxicity Reduction Evaluation (TRE) Requirements.** This provision requires the Discharger to investigate the causes of, and identify corrective actions to reduce or eliminate, effluent toxicity. If the discharge exceeds the chronic toxicity thresholds defined in this provision, the Discharger is required to initiate a TRE in accordance with an approved TRE Work Plan and take actions to mitigate the impact of the discharge and prevent recurrence of toxicity. A TRE is a site-specific study conducted in a stepwise process to identify the source(s) of toxicity and the effective control measures for effluent toxicity. TREs are designed to identify the causative agents and sources of WET, evaluate the effectiveness of the toxicity control options, and confirm the reduction in effluent toxicity. Alternatively, under certain conditions as described in this provision below, the Discharger may participate in an approved Toxicity Evaluation Study (TES) in lieu of conducting a site-specific TRE.
 - i. **Numeric Toxicity Monitoring Trigger.** The numeric Toxicity Unit (TUc) monitoring trigger is 1 TUc (where TUc = 100/NOEC). The monitoring trigger is not an effluent limitation; it is the toxicity threshold above which the Discharger is required to initiate additional actions to evaluate effluent toxicity as specified in subsection ii, below.
 - ii. **Chronic Toxicity Monitoring Trigger Exceeded.** When a chronic WET result during routine monitoring exceeds the chronic toxicity monitoring trigger, the Discharger shall proceed as follows:
 - (a) **Initial Toxicity Check.** If the result is less than or equal to 1.3 TUc (as 100/EC₂₅) OR the percent effect is less than 25 percent at 100 percent effluent, check for any operation or

sample collection issues and return to routine chronic toxicity monitoring. Otherwise, proceed to step (b).

- (b) **Evaluate 6-week Median.** The Discharger may take two additional samples within 6 weeks of the initial routine sampling event exceeding the chronic toxicity monitoring trigger to evaluate compliance using a 6-week median. If the 6-week median is greater than 1.3 TU_c (as 100/EC₂₅) and the percent effect is greater than 25 percent at 100 percent effluent, proceed with subsection (c). Otherwise, the Discharger shall check for any operation or sample collection issues and return to routine chronic toxicity monitoring. See Compliance Determination section VII.I for procedures for calculating a 6-week median.
- (c) **Toxicity Source Easily Identified.** If the source(s) of the toxicity is easily identified (e.g., temporary plant upset), the Discharger shall make necessary corrections to the Facility and shall resume routine chronic toxicity monitoring; If the source of toxicity is not easily identified the Discharger shall conduct a site-specific TRE or participate in an approved TES as described in the following subsections.
- (d) **Toxicity Evaluation Study.** If the percent effect is ≤ 50 percent at 100 percent effluent, as the median of up to three consecutive chronic toxicity tests within a 6-week period, the Discharger may participate in an approved TES in lieu of a site-specific TRE. The TES may be conducted individually or as part of a coordinated group effort with other similar dischargers. If the Discharger chooses not to participate in an approved TES, a site-specific TRE shall be initiated in accordance with subsection (e)(i), below. Nevertheless, the Discharger may participate in an approved TES instead of a TRE if the Discharger has conducted a site-specific TRE within the past 12 months and has been unsuccessful in identifying the toxicant.
- (e) **Toxicity Reduction Evaluation.** If the percent effect is > 50 percent at 100 percent effluent, as the median of three consecutive chronic toxicity tests within a 6-week period, the Discharger shall initiate a site-specific TRE as follows:
 - (i) **Within thirty (30) days** of exceeding the chronic toxicity monitoring trigger, the Discharger shall submit a TRE Action Plan to the Central Valley Water Board including, at minimum:

- Specific actions the Discharger will take to investigate and identify the cause(s) of toxicity, including a TRE WET monitoring schedule;
- Specific actions the Discharger will take to mitigate the impact of the discharge and prevent the recurrence of toxicity; and
- A schedule for these actions.

3. Best Management Practices and Pollution Prevention

- a. **Salinity Evaluation and Minimization Plan.** The Discharger shall continue to implement a salinity evaluation and minimization plan to identify and address sources of salinity discharged from the Facility.

The Discharger shall evaluate the effectiveness of the salinity evaluation and minimization plan and provide a summary with the Report of Waste Discharge.

4. Construction, Operation and Maintenance Specifications

- a. **Filtration System Operating Specifications.** To ensure the filtration system is operating properly to provide adequate disinfection of the wastewater, the turbidity of the filter effluent measured at Monitoring Location FIL-001 shall not exceed:
- 0.2 NTU more than 5 percent of the time within a 24-hour period;
 - 0.5 NTU at any time.
- b. **Ultraviolet Light (UV) Disinfection System Operating Specifications.** The UV disinfection system must be operated in accordance with an operations and maintenance program that assures adequate disinfection, and shall meet the following minimum specifications to provide virus inactivation equivalent to Title 22 disinfected tertiary recycled water:
- UV Dose.** The minimum hourly average UV dose in the UV reactor shall be 80 millijoules per square centimeter (mJ/cm²).
 - UV Transmittance.** The minimum hourly average UV transmittance (at 254 nanometers) in the wastewater measured at Monitoring Location UVS-001 shall not fall below 65 percent.
 - The lamp sleeves and cleaning system components must be visually inspected per the manufacturer's operations manual for physical wear (scoring, solarization, seal leaks, cleaning fluid levels, etc.) and to check the efficacy of the cleaning system.

- iv. The lamp sleeves must be cleaned periodically as necessary to meet the UV dose requirements.
- v. Lamps must be replaced per the manufacturer's operations manual, or sooner, if there are indications the lamps are failing to provide adequate disinfection. Lamp age and lamp replacement records must be maintained.

5. Special Provisions for Publicly-Owned Treatment Works (POTWs)

- a. **Sludge/Biosolids Treatment or Discharge Specifications.** Sludge in this document means the solid, semisolid, and liquid residues removed during primary, secondary, or advanced wastewater treatment processes. Solid waste refers to grit and screening material generated during preliminary treatment. Residual sludge means sludge that will not be subject to further treatment at the wastewater treatment plant. Biosolids refer to sludge that has been treated and tested and shown to be capable of being beneficially and legally used pursuant to federal and state regulations as a soil amendment for agricultural, silvicultural, horticultural, and land reclamation activities as specified under 40 C.F.R. part 503.
 - i. Collected screenings, residual sludge, biosolids, and other solids removed from liquid wastes shall be disposed of in a manner approved by the Executive Officer, and consistent with Consolidated Regulations for Treatment, Storage, Processing, or Disposal of Solid Waste, as set forth in Title 27, CCR, division 2, subdivision 1, section 20005, et seq. Removal for further treatment, storage, disposal, or reuse at sites (e.g., landfill, composting sites, soil amendment sites) that are operated in accordance with valid waste discharge requirements issued by a Regional Water Board will satisfy these specifications.

Sludge and solid waste shall be removed from screens, sumps, ponds, clarifiers, etc. as needed to ensure optimal plant performance.

The treatment of sludge generated at the Facility shall be confined to the Facility property and conducted in a manner that precludes infiltration of waste constituents into soils in a mass or concentration that will violate groundwater limitations in section V.B of this Order. In addition, the storage of residual sludge, solid waste, and biosolids on Facility property shall be temporary and controlled, and contained in a manner that minimizes leachate formation and precludes infiltration of waste constituents into soils in a mass or concentration that will violate groundwater limitations included in section V.B of this Order.

- ii. The use, disposal, storage, and transportation of biosolids shall comply with existing federal and state laws and regulations, including permitting requirements and technical standards included in 40

C.F.R. Part 503. If the State Water Board and the Central Valley Water Board are given the authority to implement regulations contained in 40 C.F.R. Part 503, this Order may be reopened to incorporate appropriate time schedules and technical standards. The Discharger must comply with the standards and time schedules contained in 40 C.F.R. Part 503 whether or not they have been incorporated into this Order.

- iii. The on-site sludge/biosolids treatment, processing, and storage for the Facility is described in the Fact Sheet (Attachment F, section II.A). Any proposed change in the on-site treatment, processing, or storage of sludge/biosolids shall be reported to the Executive Officer at least **90 days** in advance of the change and shall not be implemented until written approval by the Executive Officer.

6. Other Special Provisions

- a. **Title 22, or Equivalent, Disinfection Requirements.** Wastewater shall be oxidized, coagulated, filtered, and adequately disinfected pursuant to the State Water Board, DDW reclamation criteria, Title 22, or equivalent.

7. Compliance Schedules – Not Applicable

VII. COMPLIANCE DETERMINATION

- A. **BOD₅ and TSS Effluent Limitations (Sections IV.A.1.a and IV.A.1.c).** Compliance with the final effluent limitations for BOD₅ and TSS required in Waste Discharge Requirements section IV.A.1.a shall be ascertained by 24-hour composite samples. Compliance with effluent limitations required in Waste Discharge Requirements section IV.A.1.c for percent removal shall be calculated using the arithmetic mean of BOD₅ and TSS in effluent samples collected over a monthly period as a percentage of the arithmetic mean of the values for influent samples collected at approximately the same times during the same period.
- B. **Average Dry Weather Flow Effluent Limitations (Section III.F).** The average dry weather discharge flow represents the daily average flow when groundwater is at or near normal and runoff is not occurring. Compliance with the average dry weather flow discharge prohibition will be determined annually based on adding the total daily flow during July, August, and September and dividing by 92.
- C. **Total Coliform Organisms Effluent Limitations (Section IV.A.1.e).** For each day that an effluent sample is collected and analyzed for total coliform organisms, the 7-day median shall be determined by calculating the median concentration of total coliform bacteria in the effluent utilizing the bacteriological results of the last 7 days. For example, if a sample is collected on a Wednesday, the result from that sampling event and all results from the previous 6 days (i.e., Tuesday, Monday, Sunday, Saturday, Friday, and Thursday) are used to calculate the 7-day median. If the 7-day

median of total coliform organisms exceeds 2.2 MPN/100 mL, the Discharger will be considered out of compliance.

- D. Priority Pollutant Effluent Limitations.** Compliance with effluent limitations for priority pollutants shall be determined in accordance with section 2.4.5 of the SIP, as follows:
1. Dischargers shall be deemed out of compliance with an effluent limitation, if the concentration of the priority pollutant in the monitoring sample is greater than the effluent limitation and greater than or equal to the reporting level (RL).
 2. Dischargers shall be required to conduct a Pollutant Minimization Program (PMP) in accordance with section 2.4.5.1 of the SIP when there is evidence that the priority pollutant is present in the effluent above an effluent limitation and either:
 - a. Sample result is reported as detected, but not quantified (DNQ) and the effluent limitation is less than the RL; or
 - b. Sample result is reported as non-detect (ND) and the effluent limitation is less than the method detection limit (MDL).
 3. When determining compliance with an average monthly effluent limitation (AMEL) and more than one sample result is available in a month, the Discharger shall compute the arithmetic mean unless the data set contains one or more reported determinations of DNQ or ND. In those cases, the discharger shall compute the median in place of the arithmetic mean in accordance with the following procedure:
 - a. The data set shall be ranked from low to high, reported ND determinations lowest, DNQ determinations next, followed by quantified values (if any). The order of the individual ND or DNQ determinations is unimportant.
 - b. The median value of the data set shall be determined. If the data set has an odd number of data points, then the median is the middle value. If the data set has an even number of data points, then the median is the average of the two values around the middle unless one or both of the points are ND or DNQ, in which case the median value shall be the lower of the two data points where DNQ is lower than a value and ND is lower than DNQ.
 4. If a sample result, or the arithmetic mean or median of multiple sample results, is below the RL, and there is evidence that the priority pollutant is present in the effluent above an effluent limitation and the discharger conducts a PMP (as described in section 2.4.5.1 of the SIP), the discharger shall **not** be deemed out of compliance.

- E. Electrical Conductivity Calendar Year Annual Average Effluent Limitation (Section IV.A.1.f).** Compliance shall be determined by calculating the sum of all samples measured during a calendar year divided by the number of samples measured during that year.
- F. Temperature Receiving Water Limitations (Section V.A.14).** Compliance with the temperature receiving water limitations will be determined based on the difference in the temperature measured at Monitoring Locations RSW-001 and RSW-002.
- G. Dissolved Oxygen Receiving Water Limitation (Section V.A.4).** The Facility provides a high level of treatment including tertiary filtration and nitrification, which results in minimal dissolved oxygen impacts in the receiving water. Weekly receiving water monitoring is required in the MRP (Attachment E) and is sufficient to evaluate the impacts of the discharge and compliance with this Order. Weekly receiving water monitoring data, measured at Monitoring Locations RSW-001 and RSW-002, will be used to determine compliance with part “c” of the dissolved oxygen receiving water limitation in section V.A.4 to ensure the discharge does not cause the dissolved oxygen concentrations in the South Yuba River to be reduced below 7.0 mg/L at any time. However, should more frequent dissolved oxygen and temperature receiving water monitoring be conducted, Central Valley Water Board staff may evaluate compliance with parts “a” and “b” of the dissolved oxygen limitation in section V.A.4.
- H. Turbidity Receiving Water Limitations (Section V.A.16).** Compliance with the turbidity receiving water limitations will be determined based on the difference in turbidity measured at Monitoring Locations RSW-001 and RSW-002.
- I. Chronic Whole Effluent Toxicity (WET) Effluent Trigger (Section VI.C.2.a).** To evaluate compliance with the chronic WET effluent trigger, the median TUC shall be the median of up to three consecutive chronic toxicity bioassays during a 6-week period. This includes a routine chronic toxicity monitoring event and two subsequent optional compliance monitoring events. If additional compliance monitoring events are not conducted, the median is equal to the result for routine chronic toxicity monitoring event. If only one additional compliance monitoring event is conducted, the median will be established as the arithmetic mean of the routine monitoring event and compliance monitoring event.

Where the median chronic toxicity units exceeds 1 TUC (as 100/NOEC) for any endpoint, the Discharger will be deemed as exceeding the chronic toxicity effluent trigger if the median chronic toxicity units for any endpoint also exceed a reporting level of 1.3 TUC (as 100/EC25) AND the percent effect at 100% effluent exceeds 25 percent. The percent effect used to evaluate compliance with the chronic toxicity effluent trigger shall be based on the chronic toxicity bioassay result(s) from the sample(s) used to establish the median TUC result. If the median TUC is based on two equal chronic toxicity bioassay results, the percent effect of the sample with the greatest percent effect shall be used to evaluate compliance with the chronic toxicity effluent trigger.

ATTACHMENT A – DEFINITIONS

1Q10

The lowest one-day flow with an average reoccurrence frequency of once in ten years.

7Q10

The lowest average seven consecutive day flow with an average reoccurrence frequency of once in ten years

Arithmetic Mean (μ)

Also called the average, is the sum of measured values divided by the number of samples. For ambient water concentrations, the arithmetic mean is calculated as follows:

$$\text{Arithmetic mean} = \mu = \Sigma x / n$$

where: Σx is the sum of the measured ambient water concentrations, and n is the number of samples.

Average Annual Effluent Limitation (AAEL)

The highest allowable average of daily discharges over a calendar year, calculated as the sum of all daily discharges measured during a calendar year divided by the number of daily discharges measured during that year.

Average Monthly Effluent Limitation (AMEL)

The highest allowable average of daily discharges over a calendar month, calculated as the sum of all daily discharges measured during a calendar month divided by the number of daily discharges measured during that month.

Average Weekly Effluent Limitation (AWEL)

The highest allowable average of daily discharges over a calendar week (Sunday through Saturday), calculated as the sum of all daily discharges measured during a calendar week divided by the number of daily discharges measured during that week.

Bioaccumulative

Those substances taken up by an organism from its surrounding medium through gill membranes, epithelial tissue, or from food and subsequently concentrated and retained in the body of the organism.

Carcinogenic

Pollutants are substances that are known to cause cancer in living organisms.

Coefficient of Variation (CV)

CV is a measure of the data variability and is calculated as the estimated standard deviation divided by the arithmetic mean of the observed values.

Daily Discharge

Daily Discharge is defined as either: (1) the total mass of the constituent discharged over the calendar day (12:00 am through 11:59 pm) or any 24-hour period that reasonably represents a calendar day for purposes of sampling (as specified in the permit), for a constituent with limitations expressed in units of mass or; (2) the unweighted arithmetic mean measurement of the constituent over the day for a constituent with limitations expressed in other units of measurement (e.g., concentration).

The daily discharge may be determined by the analytical results of a composite sample taken over the course of one day (a calendar day or other 24-hour period defined as a day) or by the arithmetic mean of analytical results from one or more grab samples taken over the course of the day.

For composite sampling, if 1 day is defined as a 24-hour period other than a calendar day, the analytical result for the 24-hour period will be considered as the result for the calendar day in which the 24-hour period ends.

Detected, but Not Quantified (DNQ)

DNQ are those sample results less than the reporting level (RL), but greater than or equal to the laboratory's method detection limit (MDL). Sample results reported as DNQ are estimated concentrations.

Dilution Credit

Dilution Credit is the amount of dilution granted to a discharge in the calculation of a water quality-based effluent limitation, based on the allowance of a specified mixing zone. It is calculated from the dilution ratio or determined through conducting a mixing zone study or modeling of the discharge and receiving water.

Effect Concentration (EC)

A point estimate of the toxicant concentration that would cause an observable adverse effect (e.g. death, immobilization, or serious incapacitation) in a given percent of the test organisms, calculated from a continuous model (e.g. Probit Model). EC₂₅ is a point estimate of the toxicant concentration that would cause an observable adverse effect in 25 percent of the test organisms.

Effluent Concentration Allowance (ECA)

ECA is a value derived from the water quality criterion/objective, dilution credit, and ambient background concentration that is used, in conjunction with the coefficient of variation for the effluent monitoring data, to calculate a long-term average (LTA) discharge concentration. The ECA has the same meaning as waste load allocation (WLA) as used in U.S. EPA guidance (Technical Support Document For Water Quality-based Toxics Control, March 1991, second printing, EPA/505/2-90-001).

Enclosed Bays

Enclosed Bays means indentations along the coast that enclose an area of oceanic water within distinct headlands or harbor works. Enclosed bays include all bays where the narrowest distance between the headlands or outermost harbor works is less than 75 percent of the

greatest dimension of the enclosed portion of the bay. Enclosed bays include, but are not limited to, Humboldt Bay, Bodega Harbor, Tomales Bay, Drake's Estero, San Francisco Bay, Morro Bay, Los Angeles-Long Beach Harbor, Upper and Lower Newport Bay, Mission Bay, and San Diego Bay. Enclosed bays do not include inland surface waters or ocean waters.

Endpoint

An effect that is measured in a toxicity study. Endpoints in toxicity tests may include, but are not limited to survival, reproduction, and growth.

Estimated Chemical Concentration

The estimated chemical concentration that results from the confirmed detection of the substance by the analytical method below the minimum level (ML) value.

Estuaries

Estuaries means waters, including coastal lagoons, located at the mouths of streams that serve as areas of mixing for fresh and ocean waters. Coastal lagoons and mouths of streams that are temporarily separated from the ocean by sandbars shall be considered estuaries. Estuarine waters shall be considered to extend from a bay or the open ocean to a point upstream where there is no significant mixing of fresh water and seawater. Estuarine waters included, but are not limited to, the Sacramento-San Joaquin Delta, as defined in Water Code section 12220, Suisun Bay, Carquinez Strait downstream to the Carquinez Bridge, and appropriate areas of the Smith, Mad, Eel, Noyo, Russian, Klamath, San Diego, and Otay rivers. Estuaries do not include inland surface waters or ocean waters.

Inhibition Concentration

Inhibition Concentration (IC) is a point estimate of the toxicant concentration that would cause a given percent reduction in a non-lethal biological measurement (e.g., reproduction or growth), calculated from a continuous model (i.e., Interpolation Method). IC25 is a point estimate of the toxic concentration that would cause a 25-percent reduction in a non-lethal biological measurement.

Inland Surface Waters

All surface waters of the state that do not include the ocean, enclosed bays, or estuaries.

Instantaneous Maximum Effluent Limitation

The highest allowable value for any single grab sample or aliquot (i.e., each grab sample or aliquot is independently compared to the instantaneous maximum limitation).

Instantaneous Minimum Effluent Limitation

The lowest allowable value for any single grab sample or aliquot (i.e., each grab sample or aliquot is independently compared to the instantaneous minimum limitation).

Maximum Daily Effluent Limitation (MDEL)

The highest allowable daily discharge of a pollutant, over a calendar day (or 24-hour period). For pollutants with limitations expressed in units of mass, the daily discharge is calculated as the total mass of the pollutant discharged over the day. For pollutants with limitations expressed in other units of measurement, the daily discharge is calculated as the arithmetic mean measurement of the pollutant over the day.

Median

The middle measurement in a set of data. The median of a set of data is found by first arranging the measurements in order of magnitude (either increasing or decreasing order). If the number of measurements (n) is odd, then the median = $X_{(n+1)/2}$. If n is even, then the median = $(X_{n/2} + X_{(n/2)+1})/2$ (i.e., the midpoint between the n/2 and n/2+1).

Method Detection Limit (MDL)

MDL is the minimum measured concentration of a substance that can be reported with 99 percent confidence that the measured concentration is distinguishable from method blank results, as defined in in 40 C.F.R. Part 136, Attachment B.

Minimum Level (ML)

ML is the concentration at which the entire analytical system must give a recognizable signal and acceptable calibration point. The ML is the concentration in a sample that is equivalent to the concentration of the lowest calibration standard analyzed by a specific analytical procedure, assuming that all the method specified sample weights, volumes, and processing steps have been followed.

Mixing Zone

Mixing Zone is a limited volume of receiving water that is allocated for mixing with a wastewater discharge where water quality criteria can be exceeded without causing adverse effects to the overall water body.

No-Observed-Effect-Concentration (NOEC)

The highest concentration of toxicant to which organisms are exposed in a full life-cycle or partial life-cycle (short-term) test, that causes no observable adverse effects on the test organisms (i.e., the highest concentration of toxicant in which the values for the observed responses are not statistically significantly different from the controls).

Not Detected (ND)

Sample results which are less than the laboratory's MDL.

Ocean Waters

The territorial marine waters of the State as defined by California law to the extent these waters are outside of enclosed bays, estuaries, and coastal lagoons. Discharges to ocean waters are regulated in accordance with the State Water Board's California Ocean Plan.

Percent Effect

The percent effect at the instream waste concentration (IWC) shall be calculated using untransformed data and the following equation:

$$\text{Percent Effect of the Sample} = \frac{\text{Mean Control Response} - \text{Mean Sample Response}}{\text{Mean Control Response}} \cdot 100$$

Persistent Pollutants

Persistent pollutants are substances for which degradation or decomposition in the environment is nonexistent or very slow.

Pollutant Minimization Program (PMP)

PMP means waste minimization and pollution prevention actions that include, but are not limited to, product substitution, waste stream recycling, alternative waste management methods, and education of the public and businesses. The goal of the PMP shall be to reduce all potential sources of a priority pollutant(s) through pollutant minimization (control) strategies, including pollution prevention measures as appropriate, to maintain the effluent concentration at or below the water quality-based effluent limitation. Pollution prevention measures may be particularly appropriate for persistent bioaccumulative priority pollutants where there is evidence that beneficial uses are being impacted. The Central Valley Water Board may consider cost effectiveness when establishing the requirements of a PMP. The completion and implementation of a Pollution Prevention Plan, if required pursuant to Water Code section 13263.3(d), shall be considered to fulfill the PMP requirements.

Pollution Prevention

Pollution Prevention means any action that causes a net reduction in the use or generation of a hazardous substance or other pollutant that is discharged into water and includes, but is not limited to, input change, operational improvement, production process change, and product reformulation (as defined in Water Code section 13263.3). Pollution prevention does not include actions that merely shift a pollutant in wastewater from one environmental medium to another environmental medium, unless clear environmental benefits of such an approach are identified to the satisfaction of the State Water Resources Control Board (State Water Board) or Central Valley Water Board.

Satellite Collection System

The portion, if any, of a sanitary sewer system owned or operated by a different public agency than the agency that owns and operates the wastewater treatment facility that a sanitary sewer system is tributary to.

Source of Drinking Water

Any water designated as municipal or domestic supply (MUN) in a Central Valley Water Board Basin Plan.

Standard Deviation (σ)

Standard Deviation is a measure of variability that is calculated as follows:

$$\sigma = (\sum [(x - \mu)^2] / (n - 1))^{0.5}$$

where:

- x is the observed value;
- μ is the arithmetic mean of the observed values; and
- n is the number of samples.

Toxicity Reduction Evaluation (TRE)

TRE is a study conducted in a stepwise process designed to identify the causative agents of effluent or ambient toxicity, isolate the sources of toxicity, evaluate the effectiveness of toxicity control options, and then confirm the reduction in toxicity. The first steps of the TRE consist of the collection of data relevant to the toxicity, including additional toxicity testing, and an evaluation of facility operations and maintenance practices, and best management practices. A Toxicity Identification Evaluation (TIE) may be required as part of the TRE, if appropriate. (A TIE is a set of procedures to identify the specific chemical(s) responsible for toxicity. These procedures are performed in three phases (characterization, identification, and confirmation) using aquatic organism toxicity tests.)

ATTACHMENT B – MAP

Figure B-1. Donner Summit Public Utility District Wastewater Treatment Plant Site Map

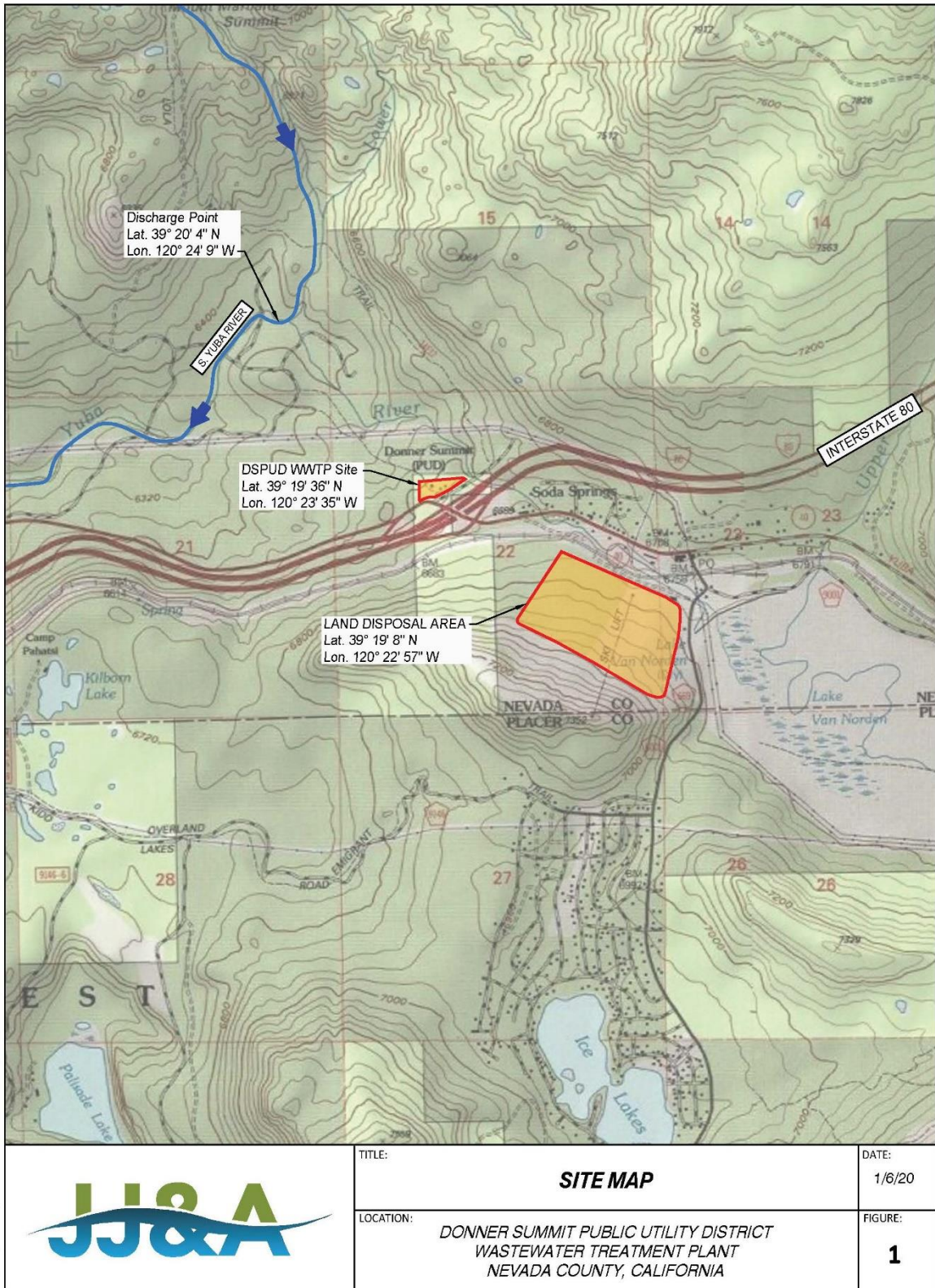
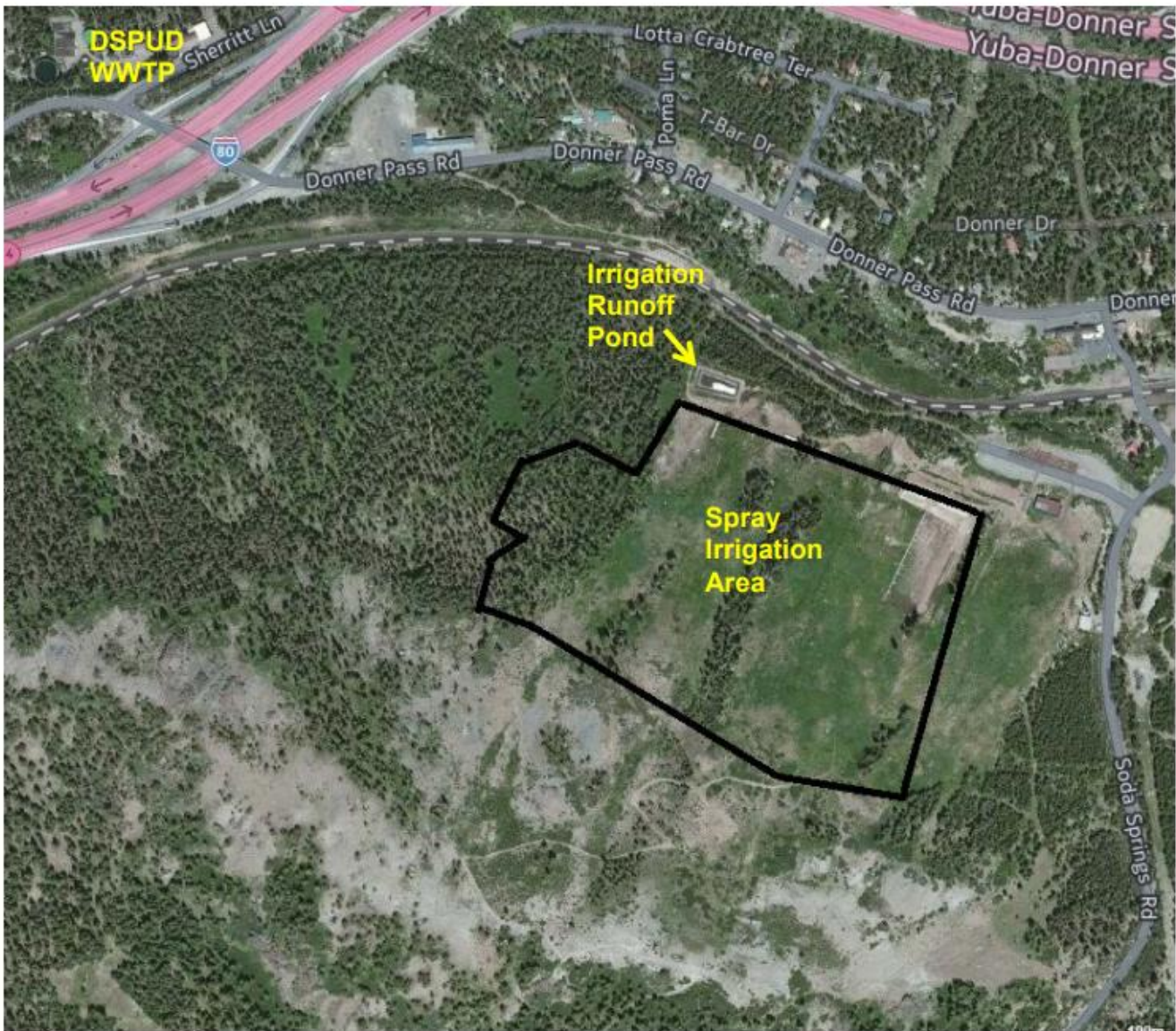
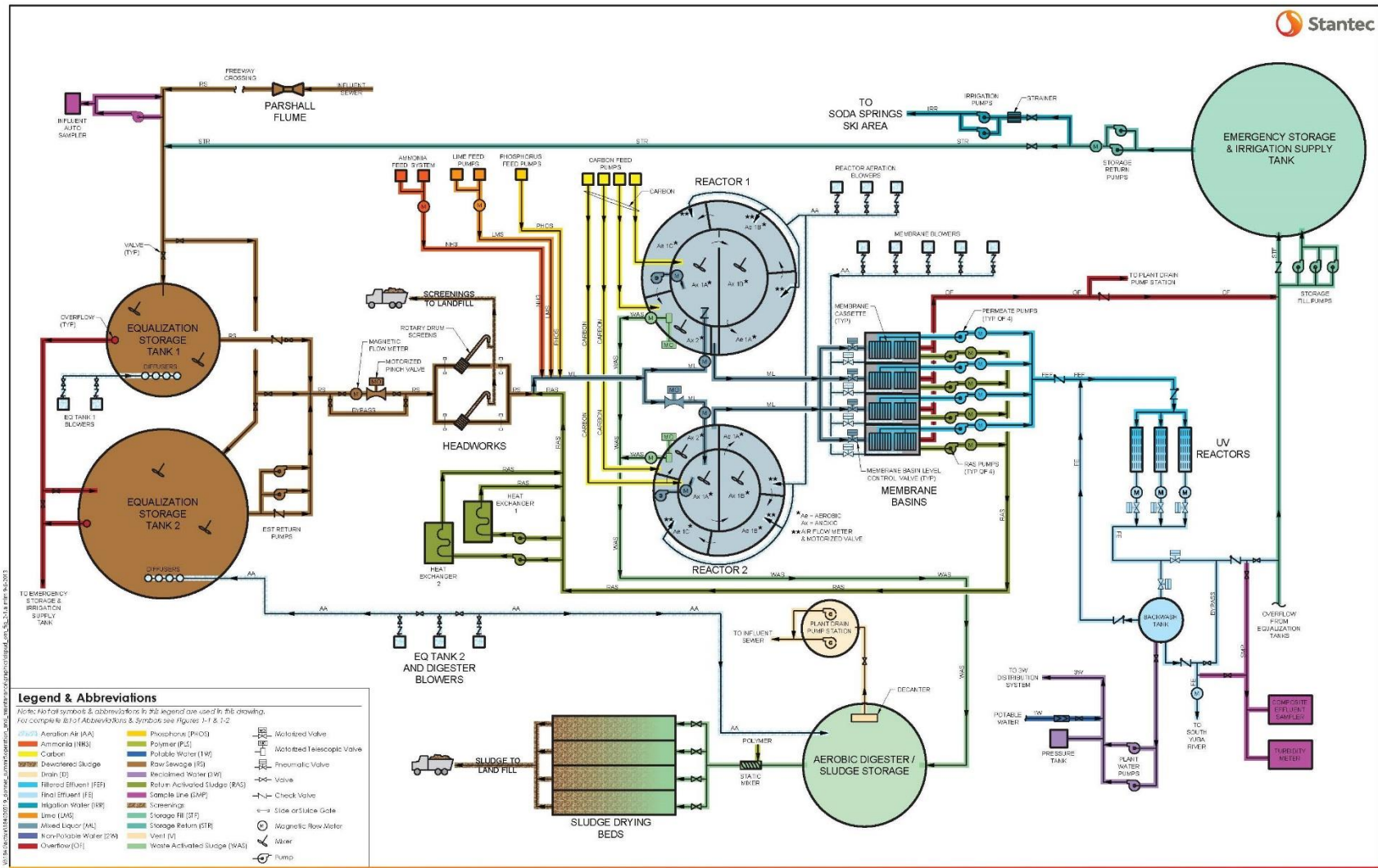


Figure B-2. Donner Summit Public Utility District Wastewater Treatment Plant Irrigation Area Map



ATTACHMENT C – FLOW SCHEMATIC

Figure C-1. Donner Summit Public Utility District Wastewater Treatment Plant Flow Schematic



DONNER SUMMIT PUBLIC UTILITY DISTRICT
Donner Summit Public Utility District
Wastewater Treatment Plant
Operations and Maintenance Manual

Figure 2-1
Process Flow Diagram

ATTACHMENT D – STANDARD PROVISIONS

I. STANDARD PROVISIONS – PERMIT COMPLIANCE

A. Duty to Comply:

1. The Discharger must comply with all of the terms, requirements, and conditions of this Order. Any noncompliance constitutes a violation of the Clean Water Act (CWA) and the California Water Code and is grounds for enforcement action; permit termination, revocation and reissuance, or modification; denial of a permit renewal application; or a combination thereof. (40 C.F.R. section 122.41(a); Wat. Code, sections 13261, 13263, 13265, 13268, 13000, 13001, 13304, 13350, 13385)
2. The Discharger shall comply with effluent standards or prohibitions established under section 307(a) of the CWA for toxic pollutants within the time provided in the regulations that establish these standards or prohibitions, even if this Order has not yet been modified to incorporate the requirement. (40 C.F.R. section 122.41(a)(1))

B. Need to Halt or Reduce Activity Not a Defense

It shall not be a defense for a Discharger in an enforcement action that it would have been necessary to halt or reduce the permitted activity in order to maintain compliance with the conditions of this Order. (40 C.F.R. section 122.41(c))

C. Duty to Mitigate

The Discharger shall take all reasonable steps to minimize or prevent any discharge in violation of this Order that has a reasonable likelihood of adversely affecting human health or the environment. (40 C.F.R. section 122.41(d))

D. Proper Operation and Maintenance

The Discharger shall at all times properly operate and maintain all facilities and systems of treatment and control (and related appurtenances) which are installed or used by the Discharger to achieve compliance with the conditions of this Order. Proper operation and maintenance also includes having adequate laboratory controls and appropriate quality assurance procedures. This provision requires the operation of backup or auxiliary facilities or similar systems that are installed by a Discharger only when necessary to achieve compliance with the conditions of this Order. (40 C.F.R. section 122.41(e))

E. Property Rights

1. This Order does not convey any property rights of any sort or any exclusive privileges. (40 C.F.R. section 122.41(g))

2. The issuance of this Order does not authorize any injury to persons or property or invasion of other private rights, or any infringement of state or local law or regulations. (40 C.F.R. section 122.5(c))

F. Inspection and Entry

The Discharger shall allow the Central Valley Water Board, State Water Board, U.S. EPA, and/or their authorized representatives (including an authorized contractor acting as their representative), upon the presentation of credentials and other documents, as may be required by law, to (33 U.S.C. section 1318(a)(4)(B); 40 C.F.R. section 122.41(i); Wat. Code, section 13267, 13383):

1. Enter upon the Discharger's premises where a regulated facility or activity is located or conducted, or where records are kept under the conditions of this Order (33 U.S.C section 1318(a)(4)(B)(ii); 40 C.F.R. section 122.41(i)(1); Wat. Code, sections 13267, 13383);
2. Have access to and copy, at reasonable times, any records that must be kept under the conditions of this Order (33 U.S.C. section 1318(a)(4)(B)(ii); 40 C.F.R. section 122.41(i)(2); Wat. Code, sections 13267, 13383);
3. Inspect and photograph, at reasonable times, any facilities, equipment (including monitoring and control equipment), practices, or operations regulated or required under this Order (33 U.S.C section 1318(a)(4)(B)(ii); 40 C.F.R. section 122.41(i)(3); Wat. Code, section 13267, 13383); and
4. Sample or monitor, at reasonable times, for the purposes of assuring Order compliance or as otherwise authorized by the CWA or the Water Code, any substances or parameters at any location. (33 U.S.C section 1318(a)(4)(B); 40 C.F.R. section 122.41(i)(4); Wat. Code, sections 13267, 13383.)

G. Bypass

1. Definitions
 - a. "Bypass" means the intentional diversion of waste streams from any portion of a treatment facility. (40 C.F.R. section 122.41(m)(1)(i))
 - b. "Severe property damage" means substantial physical damage to property, damage to the treatment facilities, which causes them to become inoperable, or substantial and permanent loss of natural resources that can reasonably be expected to occur in the absence of a bypass. Severe property damage does not mean economic loss caused by delays in production. (40 C.F.R. section 122.41(m)(1)(ii))
2. **Bypass not exceeding limitations.** The Discharger may allow any bypass to occur which does not cause exceedances of effluent limitations, but only if it is for essential maintenance to assure efficient operation. These bypasses are not

subject to the provisions listed in Standard Provisions – Permit Compliance I.G.3, I.G.4, and I.G.5 below. (40 C.F.R. section 122.41(m)(2))

3. **Prohibition of bypass.** Bypass is prohibited, and the Central Valley Water Board may take enforcement action against a Discharger for bypass, unless (40 C.F.R. section 122.41(m)(4)(i)):
 - a. Bypass was unavoidable to prevent loss of life, personal injury, or severe property damage (40 C.F.R. section 122.41(m)(4)(i)(A));
 - b. There were no feasible alternatives to the bypass, such as the use of auxiliary treatment facilities, retention of untreated wastes, or maintenance during normal periods of equipment downtime. This condition is not satisfied if adequate back-up equipment should have been installed in the exercise of reasonable engineering judgment to prevent a bypass that occurred during normal periods of equipment downtime or preventive maintenance (40 C.F.R. section 122.41(m)(4)(i)(B)); and
 - c. The Discharger submitted notice to the Central Valley Water Board as required under Standard Provisions – Permit Compliance I.G.5 below. (40 C.F.R. section 122.41(m)(4)(i)(C))
4. The Central Valley Water Board may approve an anticipated bypass, after considering its adverse effects, if the Central Valley Water Board determines that it will meet the three conditions listed in Standard Provisions – Permit Compliance I.G.3 above. (40 C.F.R. section 122.41(m)(4)(ii))
5. **Notice**
 - a. **Anticipated bypass.** If the Discharger knows in advance of the need for a bypass, it shall submit prior notice if possible, at least 10 days before the date of the bypass. The notice shall be sent to the Central Valley Water Board. As of 21 December 2023, all notices shall be submitted electronically to the initial recipient (State Water Board’s [California Integrated Water Quality System \(CIWQS\) Program website](http://www.waterboards.ca.gov/water_issues/programs/ciwqs/) (http://www.waterboards.ca.gov/water_issues/programs/ciwqs/), defined in Standard Provisions – Reporting V.J below. Notices shall comply with 40 C.F.R. Part 3, section 122.22, and 40 C.F.R. Part 127. (40 C.F.R. section 122.41(m)(3)(i))
 - b. **Unanticipated bypass.** The Discharger shall submit a notice of an unanticipated bypass as required in Standard Provisions - Reporting V.E below (24-hour notice). The notice shall be sent to the Central Valley Water Board. As of 21 December 2023, all notices shall be submitted electronically to the initial recipient (State Water Board’s [California Integrated Water Quality System \(CIWQS\) Program website](http://www.waterboards.ca.gov/water_issues/programs/ciwqs/) (http://www.waterboards.ca.gov/water_issues/programs/ciwqs/), defined in

Standard Provisions – Reporting V.J below. Notices shall comply with 40 C.F.R. Part 3, section 122.22, and 40 C.F.R. Part 127. (40 C.F.R. section 122.41(m)(3)(ii))

H. Upset

Upset means an exceptional incident in which there is unintentional and temporary noncompliance with technology-based permit effluent limitations because of factors beyond the reasonable control of the Discharger. An upset does not include noncompliance to the extent caused by operational error, improperly designed treatment facilities, inadequate treatment facilities, lack of preventive maintenance, or careless or improper operation. (40 C.F.R. section 122.41(n)(1))

1. **Effect of an upset.** An upset constitutes an affirmative defense to an action brought for noncompliance with such technology-based permit effluent limitations if the requirements of Standard Provisions – Permit Compliance I.H.2 below are met. No determination made during administrative review of claims that noncompliance was caused by upset, and before an action for noncompliance, is final administrative action subject to judicial review. (40 C.F.R. section 122.41(n)(2))
2. Conditions necessary for a demonstration of upset. A Discharger who wishes to establish the affirmative defense of upset shall demonstrate, thorough properly signed, contemporaneous operating logs or other relevant evidence that (40 C.F.R. section 122.41(n)(3)):
 - a. An upset occurred and that the Discharger can identify the cause(s) of the upset (40 C.F.R. section 122.41(n)(3)(i));
 - b. The permitted facility was, at the time, being properly operated (40 C.F.R. section 122.41(n)(3)(ii));
 - c. The Discharger submitted notice of the upset as required in Standard Provisions – Reporting V.E.2.b below (24-hour notice) (40 C.F.R. section 122.41(n)(3)(iii)); and
 - d. The Discharger complied with any remedial measures required under Standard Provisions – Permit Compliance I.C above. (40 C.F.R. section 122.41(n)(3)(iv))
3. **Burden of proof.** In any enforcement proceeding, the Discharger seeking to establish the occurrence of an upset has the burden of proof. (40 C.F.R. section 122.41(n)(4))

II. STANDARD PROVISIONS – PERMIT ACTION

A. General

This Order may be modified, revoked and reissued, or terminated for cause. The filing of a request by the Discharger for modification, revocation and reissuance, or termination, or a notification of planned changes or anticipated noncompliance does not stay any Order condition. (40 C.F.R. section 122.41(f))

B. Duty to Reapply

If the Discharger wishes to continue an activity regulated by this Order after the expiration date of this Order, the Discharger must apply for and obtain a new permit. (40 C.F.R. section 122.41(b))

C. Transfers

This Order is not transferable to any person except after notice to the Central Valley Water Board. The Central Valley Water Board may require modification or revocation and reissuance of the Order to change the name of the Discharger and incorporate such other requirements as may be necessary under the CWA and the Water Code. (40 C.F.R. section 122.41(l)(3); 122.61)

III. STANDARD PROVISIONS – MONITORING

A. Samples and measurements taken for the purpose of monitoring shall be representative of the monitored activity. (40 C.F.R. section 122.41(j)(1))

B. Monitoring must be conducted according to test procedures approved under 40 C.F.R. Part 136 for the analyses of pollutants unless another method is required under 40 C.F.R. subchapters N or O. Monitoring must be conducted according to sufficiently sensitive test methods approved under 40 C.F.R. Part 136 for the analysis of pollutants or pollutant parameters or as required under 40 C.F.R. chapter 1, subchapter N or O. For the purposes of this paragraph, a method is sufficiently sensitive when the method has the lowest minimum level (ML) of the analytical methods approved under 40 C.F.R. Part 136 or required under 40 C.F.R. chapter 1, subchapter N or O for the measured pollutant or pollutant parameter, or when:

1. The method ML is at or below the level of the most stringent effluent limitation established in the permit for the measured pollutant or pollutant parameter, and:
 - a. The method ML is at or below the level of the most stringent applicable water quality criterion for the measured pollutant or pollutant parameter, or;
 - b. The method ML is above the applicable water quality criterion but the amount of the pollutant or pollutant parameter in the facility's discharge is

high enough that the method detects and quantifies the level of the pollutant or pollutant parameter in the discharge.

In the case of pollutants or pollutant parameters for which there are no approved methods under 40 C.F.R. Part 136 or otherwise required under 40 C.F.R. chapter 1, subchapters N or O, monitoring must be conducted according to a test procedure specified in this Order for such pollutants or pollutant parameters. (40 C.F.R. sections 122.21(e)(3), 122.41(j)(4); 122.44(i)(1)(iv))

IV. STANDARD PROVISIONS – RECORDS

- A.** Except for records of monitoring information required by this Order related to the Discharger's sewage sludge use and disposal activities, which shall be retained for a period of at least five years (or longer as required by 40 C.F.R. part 503), the Discharger shall retain records of all monitoring information, including all calibration and maintenance records and all original strip chart recordings for continuous monitoring instrumentation, copies of all reports required by this Order, and records of all data used to complete the application for this Order, for a period of at least three (3) years from the date of the sample, measurement, report or application. This period may be extended by request of the Central Valley Water Board Executive Officer at any time. (40 C.F.R. section 122.41(j)(2).)
- B.** Records of monitoring information shall include:
 - 1. The date, exact place, and time of sampling or measurements (40 C.F.R. section 122.41(j)(3)(i));
 - 2. The individual(s) who performed the sampling or measurements (40 C.F.R. section 122.41(j)(3)(ii));
 - 3. The date(s) analyses were performed (40 C.F.R. section 122.41(j)(3)(iii));
 - 4. The individual(s) who performed the analyses (40 C.F.R. section 122.41(j)(3)(iv));
 - 5. The analytical techniques or methods used (40 C.F.R. section 122.41(j)(3)(v)); and
 - 6. The results of such analyses. (40 C.F.R. section 122.41(j)(3)(vi))
- C.** Claims of confidentiality for the following information will be denied (40 C.F.R. section 122.7(b)):
 - 1. The name and address of any permit applicant or Discharger (40 C.F.R. section 122.7(b)(1)); and
 - 2. Permit applications and attachments, permits and effluent data. (40 C.F.R. section 122.7(b)(2))

V. STANDARD PROVISIONS – REPORTING

A. Duty to Provide Information

The Discharger shall furnish to the Central Valley Water Board, State Water Board, or U.S. EPA within a reasonable time, any information which the Central Valley Water Board, State Water Board, or U.S. EPA may request to determine whether cause exists for modifying, revoking and reissuing, or terminating this Order or to determine compliance with this Order. Upon request, the Discharger shall also furnish to the Central Valley Water Board, State Water Board, or U.S. EPA copies of records required to be kept by this Order. (40 C.F.R. section 122.41(h); Wat. Code, sections 13267, 13383)

B. Signatory and Certification Requirements

1. All applications, reports, or information submitted to the Central Valley Water Board, State Water Board, and/or U.S. EPA shall be signed and certified in accordance with Standard Provisions – Reporting V.B.2, V.B.3, V.B.4, V.B.5, and V.B.6 below. (40 C.F.R. section 122.41(k))
2. All permit applications shall be signed by either a principal executive officer or ranking elected official. For purposes of this provision, a principal executive officer of a federal agency includes: (i) the chief executive officer of the agency, or (ii) a senior executive officer having responsibility for the overall operations of a principal geographic unit of the agency (e.g., Regional Administrators of U.S. EPA). (40 C.F.R. section 122.22(a)(3)).
3. All reports required by this Order and other information requested by the Central Valley Water Board, State Water Board, or U.S. EPA shall be signed by a person described in Standard Provisions – Reporting V.B.2 above, or by a duly authorized representative of that person. A person is a duly authorized representative only if:
 - a. The authorization is made in writing by a person described in Standard Provisions – Reporting V.B.2 above (40 C.F.R. section 122.22(b)(1));
 - b. The authorization specifies either an individual or a position having responsibility for the overall operation of the regulated facility or activity such as the position of plant manager, operator of a well or a well field, superintendent, position of equivalent responsibility, or an individual or position having overall responsibility for environmental matters for the company. (A duly authorized representative may thus be either a named

individual or any individual occupying a named position.) (40 C.F.R. section 122.22(b)(2)); and

- c. The written authorization is submitted to the Central Valley Water Board and State Water Board. (40 C.F.R. section 122.22(b)(3))
4. If an authorization under Standard Provisions – Reporting V.B.3 above is no longer accurate because a different individual or position has responsibility for the overall operation of the facility, a new authorization satisfying the requirements of Standard Provisions – Reporting V.B.3 above must be submitted to the Central Valley Water Board and State Water Board prior to or together with any reports, information, or applications, to be signed by an authorized representative. (40 C.F.R. section 122.22(c))
5. Any person signing a document under Standard Provisions – Reporting V.B.2 or V.B.3 above shall make the following certification:

“I certify under penalty of law that this document and all attachments were prepared under my direction or supervision in accordance with a system designed to assure that qualified personnel properly gather and evaluate the information submitted. Based on my inquiry of the person or persons who manage the system or those persons directly responsible for gathering the information, the information submitted is, to the best of my knowledge and belief, true, accurate, and complete. I am aware that there are significant penalties for submitting false information, including the possibility of fine and imprisonment for knowing violations.” (40 C.F.R. section 122.22(d))
6. Any person providing the electronic signature for such documents described in Standard Provision – V.B.1, V.B.2, or V.B.3 that are submitted electronically shall meet all relevant requirements of Standard Provisions – Reporting V.B, and shall ensure that all of the relevant requirements of 40 C.F.R. part 3 (Cross-Media Electronic Reporting) and 40 C.F.R. part 127 (NPDES Electronic Reporting Requirements) are met for that submission. (40 C.F.R section 122.22(e))

C. Monitoring Reports

1. Monitoring results shall be reported at the intervals specified in the Monitoring and Reporting Program (Attachment E) in this Order. (40 C.F.R. section 122.41(l)(4))
2. Monitoring results must be reported on a Discharge Monitoring Report (DMR) form or forms provided or specified by the Central Valley Water Board or State Water Board for reporting the results of monitoring, sludge use, or disposal practices. As of 21 December 2016, all reports and forms must be submitted electronically to the initial recipient, defined in Standard Provisions – Reporting V.J, and comply with 40 C.F.R. part 3, section 122.22, and 40 C.F.R. part 127. (40 C.F.R. section 122.41(l)(4)(i))

3. If the Discharger monitors any pollutant more frequently than required by this Order using test procedures approved under 40 C.F.R. part 136, or another method required for an industry-specific waste stream under 40 C.F.R. subchapters N or O, the results of such monitoring shall be included in the calculation and reporting of the data submitted in the DMR or sludge reporting form specified by the Central Valley Water Board.
(40 C.F.R. section 122.41(l)(4)(ii))
4. Calculations for all limitations, which require averaging of measurements, shall utilize an arithmetic mean unless otherwise specified in this Order.
(40 C.F.R. section 122.41(l)(4)(iii))

D. Compliance Schedules

Reports of compliance or noncompliance with, or any progress reports on, interim and final requirements contained in any compliance schedule of this Order, shall be submitted no later than 14 days following each schedule date.
(40 C.F.R. section 122.41(l)(5))

E. Twenty-Four Hour Reporting

1. The Discharger shall report any noncompliance which may endanger health or the environment. Any information shall be provided orally within 24 hours from the time the Discharger becomes aware of the circumstances. A report shall also be provided within five (5) days of the time the Discharger becomes aware of the circumstances. The report shall contain a description of the noncompliance and its cause; the period of noncompliance, including exact dates and times, and if the noncompliance has not been corrected, the anticipated time it is expected to continue; and steps taken or planned to reduce, eliminate, and prevent reoccurrence of the noncompliance.

For noncompliance events related to combined sewer overflows, sanitary sewer overflows, or bypass events, these reports must include the data described above (with the exception of time of discovery) as well as the type of event (combined sewer overflows, sanitary sewer overflows, or bypass events), type of sewer overflow structure (e.g., manhole, combined sewer overflow outfall), discharge volumes untreated by the treatment works treating domestic sewage, types of human health and environmental impacts of the sewer overflow event, and whether the noncompliance was related to wet weather.

As of 21 December 2020 all reports related to combined sewer overflows, sanitary sewer overflows, or bypass events must be submitted electronically to the initial recipient (State Water Board) defined in Standard Provisions – Reporting V.J. The reports shall comply with 40 C.F.R. part 3. They may also require the Discharger to electronically submit reports not related to combined sewer overflows, sanitary sewer overflows, or bypass events under this section.
(40 C.F.R. section 122.41(l)(6)(i))

F. Planned Changes

The Discharger shall give notice to the Central Valley Water Board as soon as possible of any planned physical alterations or additions to the permitted facility. Notice is required under this provision only when (40 C.F.R. section 122.41(l)(1)):

1. The alteration or addition to a permitted facility may meet one of the criteria for determining whether a facility is a new source in section 122.29(b) (40 C.F.R. section 122.41(l)(1)(i)); or
2. The alteration or addition could significantly change the nature or increase the quantity of pollutants discharged. This notification applies to pollutants that are not subject to effluent limitations in this Order. (40 C.F.R. section 122.41(l)(1)(ii))
3. The alteration or addition results in a significant change in the Discharger's sludge use or disposal practices, and such alteration, addition, or change may justify the application of permit conditions that are different from or absent in the existing permit, including notification of additional use or disposal sites not reported during the permit application process or not reported pursuant to an approved land application plan. (40 C.F.R. section 122.41(l)(1)(iii))

G. Anticipated Noncompliance

The Discharger shall give advance notice to the Central Valley Water Board of any planned changes in the permitted facility or activity that may result in noncompliance with this Order's requirements. (40 C.F.R. section 122.41(l)(2))

H. Other Noncompliance

The Discharger shall report all instances of noncompliance not reported under Standard Provisions – Reporting V.C, V.D, and V.E above at the time monitoring reports are submitted. The reports shall contain the information listed in Standard Provision – Reporting V.E above. For noncompliance events related to combined sewer overflows, sanitary sewer overflows, or bypass events, these reports shall contain the information described in Standard Provision – Reporting V.E and the applicable required data in appendix A to 40 C.F.R. part 127. The Central Valley Water Board may also require the Discharger to electronically submit reports not related to combined sewer overflows, sanitary sewer overflows, or bypass events under this section. (40 C.F.R. section 122.41(l)(7))

I. Other Information

When the Discharger becomes aware that it failed to submit any relevant facts in a permit application, or submitted incorrect information in a permit application or in any report to the Central Valley Water Board, State Water Board, or U.S. EPA, the Discharger shall promptly submit such facts or information. (40 C.F.R. section 122.41(l)(8))

J. Initial Recipient for Electronic Reporting Data

The owner, operator, or the duly authorized representative is required to electronically submit NPDES information specified in appendix A to 40 C.F.R. part 127 to the appropriate initial recipient, as determined by U.S. EPA, and as defined in 40 C.F.R. section 127.2(b). U.S. EPA will identify and publish the list of initial recipients on its website and in the Federal Register, by state and by NPDES data group [see 40 C.F.R. section 127.2(c)]. U.S. EPA will update and maintain this listing. (40 C.F.R. section 122.41(l)(9))

VI. STANDARD PROVISIONS – ENFORCEMENT

- A.** The Central Valley Water Board is authorized to enforce the terms of this permit under several provisions of the Water Code, including, but not limited to, sections 13385, 13386, and 13387.

VII. ADDITIONAL PROVISIONS – NOTIFICATION LEVELS

B. Publicly-Owned Treatment Works (POTWs)

All POTWs shall provide adequate notice to the Central Valley Water Board of the following (40 C.F.R. section 122.42(b)):

1. Any new introduction of pollutants into the POTW from an indirect discharger that would be subject to sections 301 or 306 of the CWA if it were directly discharging those pollutants (40 C.F.R. section 122.42(b)(1)); and
2. Any substantial change in the volume or character of pollutants being introduced into that POTW by a source introducing pollutants into the POTW at the time of adoption of the Order. (40 C.F.R. section 122.42(b)(2))
3. Adequate notice shall include information on the quality and quantity of effluent introduced into the POTW as well as any anticipated impact of the change on the quantity or quality of effluent to be discharged from the POTW. (40 C.F.R. section 122.42(b)(3)).

ATTACHMENT E – MONITORING AND REPORTING PROGRAM

Table of Contents

I.	General Monitoring Provisions.....	2
II.	Monitoring Locations	3
III.	Influent Monitoring Requirements.....	4
	A. Monitoring Location INF-001.....	4
IV.	Effluent Monitoring Requirements	5
	A. Monitoring Location EFF-001.....	5
V.	Whole Effluent Toxicity Testing Requirements	7
VI.	Land Discharge Monitoring Requirements	10
	A. Monitoring Location LND-001	10
VII.	Recycling Monitoring Requirements	11
	A. Monitoring Location REC-001	11
VIII.	Receiving Water Monitoring Requirements	11
	A. Monitoring Location RSW-001 and RSW-002.....	11
IX.	Other Monitoring Requirements.....	13
	A. Biosolids – Not Applicable	13
	B. Filtration System and Ultraviolet Light (UV) Disinfection System	13
	C. Lime-Feed System.....	14
	D. Effluent and Receiving Water Characterization	14
X.	Reporting Requirements.....	21
	A. General Monitoring and Reporting Requirements.....	21
	B. Self-Monitoring Reports (SMRs)	22
	C. Discharge Monitoring Reports (DMRs)	25
	D. Other Reports	26

Tables

Table E-1.	Monitoring Station Locations	4
Table E-2.	Influent Monitoring.....	4
Table E-3.	Effluent Monitoring	5
Table E-4.	Chronic Toxicity Testing Dilution Series	9
Table E-5.	Land Discharge Monitoring	10
Table E-6.	Recycling Monitoring.....	11
Table E-7.	Receiving Water Monitoring	11
Table E-8.	Filtration System and UV Disinfection System Monitoring Requirements	13
Table E-9.	Effluent and Receiving Water Characterization Monitoring	15
Table E-10.	Monitoring Periods and Reporting Schedule	22
Table E-11.	Technical Reports	28

ATTACHMENT E – MONITORING AND REPORTING PROGRAM (MRP)

The Code of Federal Regulations (40 C.F.R. section 122.48) requires that all NPDES permits specify monitoring and reporting requirements. Water Code sections 13267 and 13383 also authorize the Central Valley Water Board to require technical and monitoring reports. This MRP establishes monitoring and reporting requirements that implement federal and California regulations.

I. GENERAL MONITORING PROVISIONS

- A.** Samples and measurements taken as required herein shall be representative of the volume and nature of the monitored discharge. All samples shall be taken at the monitoring locations specified below and, unless otherwise specified, before the monitored flow joins or is diluted by any other waste stream, body of water, or substance. Monitoring locations shall not be changed without notification to and the approval of the Central Valley Water Board.
- B.** Final effluent samples shall be taken downstream of the last addition of wastes to the treatment or discharge works where a representative sample may be obtained prior to mixing with the receiving waters. Samples shall be collected at such a point and in such a manner to ensure a representative sample of the discharge.
- C.** Chemical, bacteriological, and bioassay analyses of any material required by this Order shall be conducted by a laboratory accredited for such analyses by the State Water Resources Control Board (State Water Board), Division of Drinking Water, in accordance with the provision of Water Code section 13176. Laboratories that perform sample analyses must be identified in all monitoring reports submitted to the Central Valley Water Board. Data generated from field measurements such as pH, dissolved oxygen, electrical conductivity, turbidity, temperature, and residual chlorine, are exempt pursuant to Water Code section 13176. A manual containing the steps followed in this program for any field measurements such as pH, dissolved oxygen, electrical conductivity, turbidity, temperature, and residual chlorine must be kept on-site in the treatment facility laboratory and shall be available for inspection by Central Valley Water Board staff. The Discharger must demonstrate sufficient capability (qualified and trained employees, properly calibrated and maintained field instruments, etc.) to adequately perform these field measurements. The Quality Assurance-Quality Control Program must conform to U.S. EPA guidelines or to procedures approved by the Central Valley Water Board.
- D.** Appropriate flow measurement devices and methods consistent with accepted scientific practices shall be selected and used to ensure the accuracy and reliability of measurements of the volume of monitored discharges. All monitoring instruments and devices used by the Discharger to fulfill the prescribed monitoring program shall be properly maintained and calibrated as necessary, at least yearly, to ensure their continued accuracy. All flow measurement devices shall be calibrated at least once per year to ensure continued accuracy of the devices.

- E. Monitoring results, including noncompliance, shall be reported at intervals and in a manner specified in this MRP.
- F. Laboratory analytical methods shall be sufficiently sensitive in accordance with the Sufficiently Sensitive Methods Rule (SSM Rule) specified under 40 C.F.R. sections 122.21(e)(3) and 122.44(i)(1)(iv). A U.S. EPA-approved analytical method is sufficiently sensitive for a pollutant/parameter where:
 - 1. The method minimum level (ML) is at or below the applicable water quality objective for the receiving water, or;
 - 2. The method ML is above the applicable water quality objective for the receiving water but the amount of the pollutant/parameter in the discharge is high enough that the method detects and quantifies the level of the pollutant/parameter, or;
 - 3. The method ML is above the applicable water quality objective for the receiving water, but the ML is the lowest of the 40 C.F.R. part 136 U.S. EPA-approved analytical methods for the pollutant/parameter.
- G. The Discharger shall ensure that the results of the Discharge Monitoring Report-Quality Assurance (DMR-QA) Study or the most recent Water Pollution Performance Evaluation Study are submitted annually to the State Water Board at the following address:

State Water Resources Control Board
Quality Assurance Program Officer
Office of Information Management and Analysis
1001 I Street, Sacramento, CA 95814
- H. The Discharger shall file with the Central Valley Water Board technical reports on self-monitoring performed according to the detailed specifications contained in this MRP.
- I. The results of all monitoring required by this Order shall be reported to the Central Valley Water Board and shall be submitted in such a format as to allow direct comparison with the limitations and requirements of this Order. Unless otherwise specified, discharge flows shall be reported in terms of the monthly average and the daily maximum discharge flows.

II. MONITORING LOCATIONS

The Discharger shall establish the following monitoring locations to demonstrate compliance with the effluent limitations, discharge specifications, and other requirements in this Order:

Table E-1. Monitoring Station Locations

Discharge Point Name	Monitoring Location Name	Monitoring Location Description
--	INF-001	A location where a representative sample of Facility influent can be obtained, prior to any additives, treatment processes, and plant return flows.
001	EFF-001	A location where a representative sample of the Facility effluent can be obtained prior to discharge to the receiving water. Latitude: 39° 20' 04" N - Longitude: 120° 24' 09" W
--	RSW-001	In the South Yuba River, 50 feet upstream from Discharge Point 001.
--	RSW-002	In the South Yuba River, 500 feet downstream from Discharge Point 001.
--	LND-001	A location where a representative sample of treated effluent can be obtained before land application.
--	REC-001	A location where a representative sample of treated effluent can be obtained before reclamation.
--	FIL-001	Monitoring of the filter effluent to be measured immediately downstream of the filters prior to the ultraviolet light (UV) disinfection system.
--	UVS-001	A location where a representative sample of wastewater can be collected immediately upstream of the UV disinfection system.
--	UVS-002	A location where a representative sample of wastewater can be collected immediately downstream of the UV disinfection system.

The North latitude and West longitude information in Table E-1 are approximate for administrative purposes.

III. INFLUENT MONITORING REQUIREMENTS

A. Monitoring Location INF-001

1. The Discharger shall monitor the Facility’s influent at Monitoring Location INF-001 in accordance with Table E-2 and the testing requirements described in section III.A.2, below:

Table E-2. Influent Monitoring

Parameter	Units	Sample Type	Minimum Sampling Frequency
Flow	MGD	Meter	Continuous
Biochemical Oxygen Demand 5-day @ 20°Celsius	mg/L	24-hour Composite	2/Week

Parameter	Units	Sample Type	Minimum Sampling Frequency
Total Suspended Solids	mg/L	24-hour Composite	2/Week

2. **Table E-2 Testing Requirements.** The Discharger shall comply with the following testing requirements when monitoring for the parameters described in Table E-2:
 - a. **Applicable to all parameters.** Parameters shall be analyzed using the analytical methods described in 40 C.F.R. part 136 or by methods approved by the Central Valley Water Board or the State Water Board. In addition, if requested by the Discharger, the sample type may be modified by the Executive Officer to another 40 C.F.R. part 136-allowed sample type.
 - b. **24-hour Composite.** All composite samples shall be collected from a 24-hour flow proportional composite.

IV. EFFLUENT MONITORING REQUIREMENTS

A. Monitoring Location EFF-001

1. When discharging to Discharge Point 001, the Discharger shall monitor tertiary treated effluent at Monitoring Location EFF-001 in accordance with Table E-3 and the testing requirements described in section IV.A.2 below:

Table E-3. Effluent Monitoring

Pollutant Parameter	Units	Sample Type	Minimum Sampling Frequency
Flow	MGD	Meter	Continuous
Biochemical Oxygen Demand 5-day @ 20°Celsius	mg/L	24-hour Composite	2/Week
Biochemical Oxygen Demand 5-day @ 20°Celsius	% Removal	Calculate	1/Month
pH	standard units	Grab	1/Day
Total Suspended Solids	mg/L	24-hour Composite	2/Week
Total Suspended Solids	% Removal	Calculate	1/Month
Copper, Total Recoverable	µg/L	Grab	1/Month
Lead, Total Recoverable	µg/L	Grab	1/Month
Nickel, Total Recoverable	µg/L	Grab	1/Month
Silver, Total Recoverable	µg/L	Grab	1/Month
Zinc, Total Recoverable	µg/L	Grab	1/Month
Ammonia Nitrogen, Total (as N)	mg/L	Grab	1/Week

Pollutant Parameter	Units	Sample Type	Minimum Sampling Frequency
Dissolved Organic Carbon	mg/L	Grab	1/Quarter
Electrical Conductivity @ 25°Celsius	µmhos/cm	Grab	1/Quarter
Hardness, Total (as CaCO ₃)	mg/L	Grab	1/Week
Nitrate Nitrogen, Total (as N)	mg/L	Grab	1/Week
Nitrite Nitrogen, Total (as N)	mg/L	Grab	1/Week
Nitrate Plus Nitrite, Total (as N)	mg/L	Calculate	1/Week
Dissolved Oxygen	mg/L	Grab	1/Week
Temperature	°F	Grab	1/Day
Total Dissolved Solids	mg/L	Grab	1/Quarter

2. **Table E-3 Testing Requirements.** The Discharger shall comply with the following testing requirements when monitoring for the parameters described in Table E-3:
- a. **Hardness. Minimum sampling frequency for hardness** shall be 1/Week from 1 June 2021 through 30 June 2023, after which shall be 1/Month.
 - b. **Applicable to all parameters.** Parameters shall be analyzed using the analytical methods described in 40 C.F.R. part 136 or by methods approved by the Central Valley Water Board or the State Water Board. In addition, if requested by the Discharger, the sample type may be modified by the Executive Officer to another 40 C.F.R. part 136 allowed sample type.
 - c. **24-hour composite samples** shall be collected from a 24-hour flow proportional composite.
 - d. **Hand-held field meters** may be used for **dissolved oxygen, electrical conductivity, temperature, and pH**, provided the meter utilizes a U.S. EPA-approved algorithm/method and is calibrated and maintained in accordance with the manufacturer's instructions. A calibration and maintenance log for each meter used for monitoring required by this MRP shall be maintained at the Facility.
 - e. **Temperature** and **pH** shall be recorded at the time of **ammonia** sample collection.
 - f. **Priority Pollutants.** For all priority pollutant constituents listed in Table E-3 (copper, lead, nickel, silver, and zinc), the reporting level (RL) shall be consistent with sections 2.4.2 and 2.4.3 of the Policy for Implementation of Toxics Standards for Inland Surface Waters, Enclosed

Bays, and Estuaries of California (State Implementation Policy or SIP) and the SSM Rule specified under 40 C.F.R. sections 122.21(e)(3) and 122.44(i)(1)(iv).

- g. **Ammonia** samples shall be collected concurrently with whole effluent toxicity (WET) monitoring.
- h. **Nitrate plus Nitrite.** Monitoring for **nitrate** and **nitrite** shall be conducted concurrently.
- i. **Dissolved Organic Carbon.** Hardness, total (as CaCO₃) and pH samples shall be taken concurrent with dissolved organic carbon samples.
- j. **Temperature, pH, Hardness, Dissolved Oxygen, and Dissolved Organic Carbon.** The effluent samples for temperature, pH, hardness, dissolved oxygen, and dissolved organic carbon shall be taken approximately the same time and on the same date with the receiving water samples for these parameters.

V. WHOLE EFFLUENT TOXICITY TESTING REQUIREMENTS

A. Acute Toxicity Testing. The Discharger shall conduct acute toxicity testing to determine whether the effluent is contributing acute toxicity to the receiving water. The Discharger shall meet the acute toxicity testing requirement:

1. **Monitoring Frequency** – The Discharger shall perform **annual** acute toxicity testing, concurrent with effluent ammonia sampling.
2. **Sample Types** – The Discharger may use flow-through or static renewal testing. For static renewal testing, the samples shall be grab samples and shall be representative of the volume and quality of the discharge. The effluent samples shall be taken at Monitoring Location EFF-001.
3. **Test Species** – Test species shall be rainbow trout (*Oncorhynchus mykiss*).
4. **Methods** – The acute toxicity testing samples shall be analyzed using EPA-821-R-02-012, Fifth Edition. Temperature, total residual chlorine, and pH shall be recorded at the time of sample collection. No pH adjustment may be made unless approved by the Executive Officer.
5. **Test Failure** – If an acute toxicity test does not meet all test acceptability criteria, as specified in the test method, the Discharger must re-sample and re-test as soon as possible, not to exceed 7 days following notification of test failure.

B. Chronic Toxicity Testing. The Discharger shall conduct chronic toxicity testing to determine whether the effluent is contributing chronic toxicity to the receiving water. The Discharger shall meet the following chronic toxicity testing requirements:

1. **Monitoring Frequency** – The Discharger shall perform routine **annual** chronic toxicity testing. If the result of the routine chronic toxicity testing event exhibits toxicity, demonstrated by a result greater than 1.3 TUc (as 100/EC₂₅) AND a percent effect greater than 25 percent at 100 percent effluent, the Discharger has the option of conducting two additional compliance monitoring events and performing chronic toxicity testing using the species that exhibited toxicity in order to calculate a median. The optional compliance monitoring events shall occur at least one week apart, and the final monitoring event shall be initiated no later than 6 weeks from the routine monitoring event that exhibited toxicity. See Compliance Determination section VII.I for procedures for calculating a 6-week median.
2. **Sample Types** – Effluent samples shall be flow proportional 24-hour composites and shall be representative of the volume and quality of the discharge. The effluent samples shall be taken at Monitoring Location EFF-001. The receiving water control shall be a grab sample obtained from Monitoring Location RSW-001, as identified in this MRP.
3. **Sample Volumes** – Adequate sample volumes shall be collected to provide renewal water to complete the test in the event that the discharge is intermittent.
4. **Test Species** – Chronic toxicity testing measures sublethal (e.g., reduced growth, reproduction) and/or lethal effects to test organisms exposed to an effluent compared to that of the control organisms. The Discharger shall conduct chronic toxicity tests with:
 - a. The cladoceran, water flea, *Ceriodaphnia dubia* (survival and reproduction test);
 - b. The fathead minnow, *Pimephales promelas* (larval survival and growth test); and
 - c. The green alga, *Selenastrum capricornutum* (growth test).
5. **Methods** – The presence of chronic toxicity shall be estimated as specified in Short-term Methods for Estimating the Chronic Toxicity of Effluents and Receiving Waters to Freshwater Organisms, Fourth Edition, EPA/821-R-02-013, October 2002.
6. **Reference Toxicant** – As required by the SIP, all chronic toxicity tests shall be conducted with concurrent testing with a reference toxicant and shall be reported with the chronic toxicity test results.
7. **Dilutions** – For routine and compliance chronic toxicity monitoring, the chronic toxicity testing shall be performed using the dilution series identified in Table E-4, below. For TRE monitoring, the chronic toxicity testing shall be performed using the dilution series identified in Table E-4, below, unless an

alternative dilution series is detailed in the submitted TRE Action Plan. A receiving water control or laboratory water control may be used as the diluent.

Table E-4. Chronic Toxicity Testing Dilution Series

Samples	Dilution%	Dilution%	Dilution%	Dilution%	Dilution%	Controls
% Effluent	100	75	50	25	12.5	0
% Control Water	0	25	50	75	87.5	100

8. **Test Failure** – The Discharger must re-sample and re-test as soon as possible, but no later than 14 days after receiving notification of a test failure. A test failure is defined as follows:
 - a. The reference toxicant test or the effluent test does not meet all test acceptability criteria as specified in the Short-term Methods for Estimating the Chronic Toxicity of Effluents and Receiving Waters to Freshwater Organisms, Fourth Edition, EPA/821-R-02-013, October 2002 (Method Manual), and its subsequent amendments or revisions; or
 - b. The percent minimum significant difference (PMSD) measured for the test exceeds the upper PMSD bound variability criterion in the Method Manual.

C. WET Testing Notification Requirements. The Discharger shall notify the Central Valley Water Board within 24-hours after the receipt of test results exceeding the chronic toxicity monitoring trigger, or an exceedance of the acute toxicity effluent limitation.

D. WET Testing Reporting Requirements. All toxicity test reports shall include the contracting laboratory’s complete report provided to the Discharger and shall be in accordance with the appropriate “Report Preparation and Test Review” sections of the method manuals. At a minimum, WET monitoring shall be reported as follows:

1. **Chronic WET Reporting.** Routine and compliance chronic toxicity monitoring results shall be reported to the Central Valley Water Board with the monthly self-monitoring report (SMR), and shall contain, at minimum:
 - a. The results expressed in TUC, measured as 100/NOEC, and also measured as 100/LC50, 100/EC25, 100/IC25, and 100/IC50, as appropriate;
 - b. The statistical methods used to calculate endpoints;
 - c. The statistical output page, which includes the calculation of the PMSD;
 - d. The dates of sample collection and initiation of each toxicity test; and

- e. The results compared to the numeric toxicity monitoring trigger.

Additionally, the monthly SMRs shall contain an updated chronology of chronic toxicity test results expressed in TUC, and organized by test species, type of test (survival, growth or reproduction), and monitoring type, i.e., routine, compliance, TES, or TRE monitoring.

2. **Acute WET Reporting.** Acute toxicity test results shall be submitted with the monthly SMRs and reported as percent survival.
3. **TRE Reporting.** Reports for TREs shall be submitted in accordance with the schedule contained in the Discharger’s approved TRE Workplan, or as amended by the Discharger’s TRE Action Plan.
4. **Quality Assurance (QA).** The Discharger must provide the following information for QA purposes:
 - a. Results of the applicable reference toxicant data with the statistical output page giving the species, NOEC, LOEC, type of toxicant, dilution water used, concentrations used, PMSD, and dates tested.
 - b. The reference toxicant control charts for each endpoint, which include summaries of reference toxicant tests performed by the contracting laboratory.
 - c. Any information on deviations or problems encountered and how they were dealt with.

VI. LAND DISCHARGE MONITORING REQUIREMENTS

A. Monitoring Location LND-001

1. The Discharger shall monitor the discharge to the land application area at Monitoring Location LND-001 in accordance with Table E-5 and the testing requirements described in section VI.A.2 below:

Table E-5. Land Discharge Monitoring

Pollutant Parameter	Units	Sample Type	Minimum Sampling Frequency
Flow	MGD	Meter	Continuous
Biochemical Oxygen Demand 5-day @ 20°Celsius	mg/L	24-hour Composite	1/Month
Total Suspended Solids	mg/L	24-hour Composite	1/Month
Total Coliform Organisms	MPN/100 mL	Grab	1/Month

2. **Table E-5 Testing Requirements.** The Discharger shall comply with the following testing requirements when monitoring for the parameters described in Table E-5:
 - a. **Applicable to all parameters.** Parameters shall be analyzed using the analytical methods described in 40 C.F.R. part 136 or by methods approved by the Central Valley Water Board or the State Water Board. In addition, if requested by the Discharger, the sample type may be modified by the Executive Officer to another 40 C.F.R. part 136 allowed sample type.
 - b. **24-hour composite samples** shall be collected from a 24-hour flow proportional composite.

VII. RECYCLING MONITORING REQUIREMENTS

A. Monitoring Location REC-001

1. The Discharger shall monitor the discharge to the reclamation area at Monitoring Location REC-001 in accordance with Table E-6 below:

Table E-6. Recycling Monitoring

Pollutant Parameter	Units	Sample Type	Minimum Sampling Frequency
Flow	MGD	Meter	Continuous
Total Coliform Organisms	MPN/100 mL	Grab	1/Day
Turbidity	NTU	Meter	Continuous

VIII. RECEIVING WATER MONITORING REQUIREMENTS

A. Monitoring Location RSW-001 and RSW-002

1. When discharging to Discharge Point 001, the Discharger shall monitor the South Yuba River at Monitoring Locations RSW-001 and RSW-002 in accordance with Table E-7 and the testing requirements described in section VIII.A.2 below:

Table E-7. Receiving Water Monitoring

Pollutant Parameter	Units	Sample Type	Minimum Sampling Frequency
pH	standard units	Grab	1/Week
Dissolved Organic Carbon	mg/L	Grab	1/Quarter
Dissolved Oxygen	mg/L	Grab	1/Week
Electrical Conductivity @ 25°Celsius	µmhos/cm	Grab	1/Quarter

Pollutant Parameter	Units	Sample Type	Minimum Sampling Frequency
Hardness, Total (as CaCO ₃)	mg/L	Grab	1/Month
Temperature	°F	Grab	1/Week
Turbidity	NTU	Grab	1/Week

2. **Table E-7 Testing Requirements.** The Discharger shall comply with the following testing requirements when monitoring for the parameters described in Table E-7:
 - a. **Unsafe Conditions.** If Monitoring Locations RSW-001 and RSW-002 are inaccessible due to unsafe conditions, monitoring is not required. If monitoring is not conducted due to unsafe conditions, the Discharger shall so state in the SMR.
 - b. **Applicable to all parameters.** Parameters shall be analyzed using the analytical methods described in 40 C.F.R. part 136 or by methods approved by the Central Valley Water Board or the State Water Board. In addition, if requested by the Discharger, the sample type may be modified by the Executive Officer to another 40 C.F.R. part 136 allowed sample type.
 - c. **Hand-held field meters** may be used for **dissolved oxygen, electrical conductivity, temperature, and pH**, provided the meter utilizes a U.S. EPA-approved algorithm/method and is calibrated and maintained in accordance with the manufacturer's instructions. A calibration and maintenance log for each meter used for monitoring required by this MRP shall be maintained at the Facility.
 - d. **Dissolved Organic Carbon.** Hardness, total (as CaCO₃) and pH samples shall be taken concurrent with dissolved organic carbon samples.
 - e. **Temperature, pH, Hardness, Dissolved Oxygen, and Dissolved Organic Carbon.** The receiving water samples for temperature, pH, hardness, dissolved oxygen, and dissolved organic carbon shall be taken approximately the same time and on the same date with the effluent samples for these parameters.
3. In conducting the receiving water sampling, a log shall be kept of the receiving water conditions throughout the reach bounded by Monitoring Locations RSW-001 and RSW-002 when discharging to the South Yuba River. Attention shall be given to the presence of:

- a. Floating or suspended matter;
- b. Discoloration;
- c. Bottom deposits;
- d. Aquatic life;
- e. Visible films, sheens, or coatings;
- f. Fungi, slimes, or objectionable growths; and
- g. Potential nuisance conditions.

Notes on receiving water conditions shall be summarized in the monitoring report.

IX. OTHER MONITORING REQUIREMENTS

A. Biosolids – Not Applicable

B. Filtration System and Ultraviolet Light (UV) Disinfection System

- 1. **Monitoring Locations UVS-001, UVS-002, and FIL-001.** When discharging to surface waters, the Discharger shall monitor the filtration system at Monitoring Location FIL-001 and the UV disinfection system at Monitoring Locations UVS-001 and UVS-002 in accordance with Table E-8 and the testing requirements described in section IX.B.2 below.

Table E-8. Filtration System and UV Disinfection System Monitoring Requirements

Parameter	Units	Sample Type	Monitoring Location	Minimum Sampling Frequency
Flow	MGD	Meter	UVS-001	Continuous
Turbidity	NTU	Meter	FIL-001	Continuous
Number of UV banks in operation	Number	Observation	N/A	Continuous
UV Transmittance	Percent (%)	Meter	UVS-001	Continuous
UV Dose	mJ/cm ²	Calculated	N/A	Continuous
Total Coliform Organisms	MPN/100 mL	Grab	UVS-002	2/Week

- 2. **Table E-8 Testing Requirements.** The Discharger shall comply with the following testing requirements when monitoring for the parameters described in Table E-8:
 - a. **Applicable to all parameters.** Parameters shall be analyzed using the analytical methods described in 40 C.F.R. part 136; or by methods

approved by the Central Valley Water Board or the State Water Board. In addition, if requested by the Discharger, the sample type may be modified by the Executive Officer to another 40 C.F.R. part 136 allowed sample type.

- b. **Continuous analyzers.** The Discharger shall report documented routine meter maintenance activities including date, time of day, and duration, in which the analyzer(s) is not in operation. If analyzer(s) fail to provide continuous monitoring for more than two hours and influent and/or effluent from the disinfection process is not diverted for retreatment, the Discharger shall obtain and report hourly manual and/or grab sample results. The Discharger shall not decrease power settings or reduce the number of UV lamp banks in operation while the continuous analyzers are out of service and water is being disinfected.
- c. **UV Dose.** Report daily minimum hourly average UV dose and daily average UV dose. The minimum hourly average dose shall consist of the lowest hourly average dose provided in any channel that had at least one bank of lamps operating during the hour interval. For channels that did not operate for the entire hour interval, the dose will be averaged based on the actual operation time.

C. Lime-Feed System

1. When operating the lime-feed system the Discharger shall maintain a log and record the days on which lime is added to the treatment system and the amount of lime added to the waste stream in pounds per day (lbs/day). The lime addition log required by this MRP shall be maintained at the Facility.

D. Effluent and Receiving Water Characterization

1. Monitoring Frequency.

- a. **Effluent Sampling.** Samples shall be collected from the effluent (Monitoring Location EFF-001) **quarterly between 1 July 2022 and 30 June 2023.**
- b. **Receiving Water Sampling.** Samples shall be collected from the upstream receiving water (Monitoring Location RSW-001) **quarterly between 1 July 2022 and 30 June 2023.**

Constituents shall be collected and analyzed consistent with the Discharger's Analytical Methods Report (MRP, X.D.2) using sufficiently sensitive analytical methods and Reporting Levels per the SSM Rule specified in 40 C.F.R. 122.21(e)(3) and 122.44(i)(1)(iv). The "Reporting Level" is synonymous with the "Method Minimum Level" described in the SSM Rule. The results of the monitoring shall be submitted to the Central Valley Water Board with the

monthly self-monitoring reports. Each individual monitoring event shall provide representative sample results for the effluent and upstream receiving water.

2. **Concurrent Sampling.** Effluent and receiving water sampling shall be performed at approximately the same time, on the same date.
3. **Sample Type.** Effluent and upstream receiving water samples shall be taken as described in Table E-9, below.
4. **Analytical Methods Report Certification.** Prior to beginning the Effluent and Receiving Water Characterization monitoring, the Discharger shall provide a certification acknowledging the scheduled start date of the Effluent and Receiving Water Characterization monitoring and confirming that samples will be collected and analyzed as described in the previously submitted Analytical Methods Report. If there are changes to the previously submitted Analytical Methods Report, the Discharger shall outline those changes. A one-page certification form will be provided by Central Valley Water Board staff with the permit's Notice of Adoption that the Discharger can use to satisfy this requirement. The certification form shall be submitted electronically via CIWQS submittal by the due date in the Technical Reports Table E-11.
5. The Discharger shall conduct effluent and receiving water characterization monitoring in accordance with Table E-9 and the testing requirements described in section IX.E.2 below.

Table E-9. Effluent and Receiving Water Characterization Monitoring

VOLATILE ORGANICS

CTR Number	Volatile Organic Parameters	CAS Number	Units	Effluent Sample Type
25	2-Chloroethyl vinyl Ether	110-75-8	µg/L	Grab
17	Acrolein	107-02-8	µg/L	Grab
18	Acrylonitrile	107-13-1	µg/L	Grab
19	Benzene	71-43-2	µg/L	Grab
20	Bromoform	75-25-2	µg/L	Grab
21	Carbon Tetrachloride	56-23-5	µg/L	Grab
22	Chlorobenzene	108-90-7	µg/L	Grab
24	Chloroethane	75-00-3	µg/L	Grab
26	Chloroform	67-66-3	µg/L	Grab
35	Methyl Chloride	74-87-3	µg/L	Grab
23	Dibromochloromethane	124-48-1	µg/L	Grab
27	Dichlorobromomethane	75-27-4	µg/L	Grab
36	Methylene Chloride	75-09-2	µg/L	Grab
33	Ethylbenzene	100-41-4	µg/L	Grab
89	Hexachlorobutadiene	87-68-3	µg/L	Grab

CTR Number	Volatile Organic Parameters	CAS Number	Units	Effluent Sample Type
34	Methyl Bromide (Bromomethane)	74-83-9	µg/L	Grab
94	Naphthalene	91-20-3	µg/L	Grab
38	Tetrachloroethylene (PCE)	127-18-4	µg/L	Grab
39	Toluene	108-88-3	µg/L	Grab
40	trans-1,2-Dichloroethylene	156-60-5	µg/L	Grab
43	Trichloroethylene (TCE)	79-01-6	µg/L	Grab
44	Vinyl Chloride	75-01-4	µg/L	Grab
21	Methyl-tert-butyl ether (MTBE)	1634-04-4	µg/L	Grab
41	1,1,1-Trichloroethane	71-55-6	µg/L	Grab
42	1,1,2-Trichloroethane	79-00-5	µg/L	Grab
28	1,1-Dichloroethane	75-34-3	µg/L	Grab
30	1,1-Dichloroethylene (DCE)	75-35-4	µg/L	Grab
31	1,2-Dichloropropane	78-87-5	µg/L	Grab
32	1,3-Dichloropropylene	542-75-6	µg/L	Grab
37	1,1,2,2-Tetrachloroethane	79-34-5	µg/L	Grab
101	1,2,4-Trichlorobenzene	120-82-1	µg/L	Grab
29	1,2-Dichloroethane	107-06-2	µg/L	Grab
75	1,2-Dichlorobenzene	95-50-1	µg/L	Grab
76	1,3-Dichlorobenzene	541-73-1	µg/L	Grab
77	1,4-Dichlorobenzene	106-46-7	µg/L	Grab

SEMI-VOLATILE ORGANICS

CTR Number	Semi-Organic Volatile Parameters	CAS Number	Units	Effluent Sample Type
60	Benzo(a)Anthracene	56-55-3	µg/L	Grab
85	1,2-Diphenylhydrazine	122-66-7	µg/L	Grab
45	2-Chlorophenol	95-57-8	µg/L	Grab
46	2,4-Dichlorophenol	120-83-2	µg/L	Grab
47	2,4-Dimethylphenol	105-67-9	µg/L	Grab
49	2,4-Dinitrophenol	51-28-5	µg/L	Grab
82	2,4-Dinitrotoluene	121-14-2	µg/L	Grab
55	2,4,6-Trichlorophenol	88-06-2	µg/L	Grab
83	2,6-Dinitrotoluene	606-20-2	µg/L	Grab
50	2-Nitrophenol	88-75-5	µg/L	Grab
71	2-Chloronaphthalene	91-58-7	µg/L	Grab
78	3,3-Dichlorobenzidine	91-94-1	µg/L	Grab
62	Benzo(b)Fluoranthene	205-99-2	µg/L	Grab
52	4-Chloro-3-methylphenol	59-50-7	µg/L	Grab
48	2-Methyl-4,6-Dinitrophenol	534-52-1	µg/L	Grab
51	4-Nitrophenol	100-02-7	µg/L	Grab
69	4-Bromophenyl Phenyl Ether	101-55-3	µg/L	Grab

CTR Number	Semi-Organic Volatile Parameters	CAS Number	Units	Effluent Sample Type
72	4-Chlorophenyl Phenyl Ether	7005-72-3	µg/L	Grab
56	Acenaphthene	83-32-9	µg/L	Grab
57	Acenaphthylene	208-96-8	µg/L	Grab
58	Anthracene	120-12-7	µg/L	Grab
59	Benzidine	92-87-5	µg/L	Grab
61	Benzo(a)Pyrene	50-32-8	µg/L	Grab
63	Benzo(ghi)Perylene	191-24-2	µg/L	Grab
64	Benzo(k)Fluoranthene	207-08-9	µg/L	Grab
65	Bis (2-Chloroethoxy) Methane	111-91-1	µg/L	Grab
66	Bis (2-Chloroethyl) Ether	111-44-4	µg/L	Grab
67	Bis (2-Chloroisopropyl) Ether	108-60-1	µg/L	Grab
68	Bis(2-Ethylhexyl) Phthalate	117-81-7	µg/L	Grab
70	Butylbenzyl Phthalate	85-68-7	µg/L	Grab
73	Chrysene	218-01-9	µg/L	Grab
81	Di-n-butyl Phthalate	84-74-2	µg/L	Grab
84	Di-n-Octyl Phthalate	117-84-0	µg/L	Grab
74	Dibenzo(a,h)anthracene	53-70-3	µg/L	Grab
79	Diethyl Phthalate	84-66-2	µg/L	Grab
80	Dimethyl Phthalate	131-11-3	µg/L	Grab
86	Fluoranthene	206-44-0	µg/L	Grab
87	Fluorene	86-73-7	µg/L	Grab
88	Hexachlorobenzene	118-74-1	µg/L	Grab
90	Hexachlorocyclopentadiene	77-47-4	µg/L	Grab
91	Hexachloroethane	67-72-1	µg/L	Grab
92	Indeno(1,2,3-cd) Pyrene	193-39-5	µg/L	Grab
93	Isophorone	78-59-1	µg/L	Grab
98	N-Nitrosodiphenylamine	86-30-6	µg/L	Grab
96	N-Nitrosodimethylamine	62-75-9	µg/L	Grab
97	N-Nitrosodi-n-Propylamine	621-64-7	µg/L	Grab
95	Nitrobenzene	98-95-3	µg/L	Grab
53	Pentachlorophenol (PCP)	87-86-5	µg/L	Grab
99	Phenanthrene	85-01-8	µg/L	Grab
54	Phenol	108-95-2	µg/L	Grab
100	Pyrene	129-00-0	µg/L	Grab

INORGANICS

CTR Number	Inorganic Parameters	CAS Number	Units	Effluent Sample Type
NL	Aluminum	7429-90-5	µg/L	24-hour Composite
1	Antimony, Total Recoverable	7440-36-0	µg/L	24-hour Composite
2	Arsenic, Total Recoverable	7440-38-2	µg/L	24-hour Composite
15	Asbestos	1332-21-4	µg/L	24-hour Composite
3	Beryllium, Total Recoverable	7440-41-7	µg/L	24-hour Composite

CTR Number	Inorganic Parameters	CAS Number	Units	Effluent Sample Type
4	Cadmium, Total Recoverable	7440-43-9	µg/L	24-hour Composite
5a (III)	Chromium, Total	7440-47-3	µg/L	24-hour Composite
6	Copper, Total Recoverable	7440-50-8	µg/L	24-hour Composite
14	Iron, Total Recoverable	7439-89-6	µg/L	24-hour Composite
7	Lead, Total Recoverable	7439-92-1	µg/L	24-hour Composite
8	Mercury, Total Recoverable	7439-97-6	µg/L	Grab
NL	Mercury, Methyl	22967-92-6	µg/L	Grab
NL	Manganese, Total Recoverable	7439-96-5	µg/L	24-hour Composite
9	Nickel, Total Recoverable	7440-02-0	µg/L	24-hour Composite
10	Selenium, Total Recoverable	7782-49-2	µg/L	24-hour Composite
11	Silver, Total Recoverable	7440-22-4	µg/L	24-hour Composite
12	Thallium, Total Recoverable	7440-28-0	µg/L	24-hour Composite
13	Zinc, Total Recoverable	7440-66-6	µg/L	24-hour Composite

NON-METALS/MINERALS

CTR Number	Non-Metal/Mineral Parameters	CAS Number	Units	Effluent Sample Type
NL	Boron	7440-42-8	µg/L	24-hour Composite
NL	Chloride	16887-00-6	mg/L	24-hour Composite
14	Cyanide, Total (as CN)	57-12-5	µg/L	Grab
NL	Phosphorus, Total (as P)	7723-14-0	mg/L	24-hour Composite
NL	Sulfate	14808-79-8	mg/L	24-hour Composite
NL	Sulfide (as S)	5651-88-7	mg/L	24-hour Composite

PESTICIDES/PCBs/DIOXINS

CTR Number	Pesticide/PCB/Dioxin Parameters	CAS Number	Units	Effluent Sample Type
110	4,4-DDD	72-54-8	µg/L	24-hour Composite
109	4,4-DDE	72-55-9	µg/L	24-hour Composite
108	4,4-DDT	50-29-3	µg/L	24-hour Composite
112	alpha-Endosulfan	959-98-8	µg/L	24-hour Composite
103	alpha-BHC (Benzene hexachloride)	319-84-6	µg/L	24-hour Composite
102	Aldrin	309-00-2	µg/L	24-hour Composite
113	beta-Endosulfan	33213-65-9	µg/L	24-hour Composite
104	beta-BHC (Benzene hexachloride)	319-85-7	µg/L	24-hour Composite
107	Chlordane	57-74-9	µg/L	24-hour Composite
106	delta-BHC (Benzene hexachloride)	319-86-8	µg/L	24-hour Composite
111	Dieldrin	60-57-1	µg/L	24-hour Composite
114	Endosulfan Sulfate	1031-07-8	µg/L	24-hour Composite

CTR Number	Pesticide/PCB/Dioxin Parameters	CAS Number	Units	Effluent Sample Type
115	Endrin	72-20-8	µg/L	24-hour Composite
116	Endrin Aldehyde	7421-93-4	µg/L	24-hour Composite
117	Heptachlor	76-44-8	µg/L	24-hour Composite
118	Heptachlor Epoxide	1024-57-3	µg/L	24-hour Composite
105	gamma-BHC (Benzene hexachloride or Lindane)	58-89-9	µg/L	24-hour Composite
119	Polychlorinated Biphenyl (PCB) 1016	12674-11-2	µg/L	24-hour Composite
120	PCB 1221	11104-28-2	µg/L	24-hour Composite
121	PCB 1232	11141-16-5	µg/L	24-hour Composite
122	PCB 1242	53469-21-9	µg/L	24-hour Composite
123	PCB 1248	12672-29-6	µg/L	24-hour Composite
124	PCB 1254	11097-69-1	µg/L	24-hour Composite
125	PCB 1260	11096-82-5	µg/L	24-hour Composite
126	Toxaphene	8001-35-2	µg/L	24-hour Composite
16	2,3,7,8-TCDD (Dioxin)	1746-01-6	mg/L	24-hour Composite

CONVENTIONAL PARAMETERS

CTR Number	Conventional Parameters	CAS Number	Units	Effluent Sample Type
NL	pH	--	SU	Grab
NL	Temperature	--	°C	Grab

NON-CONVENTIONAL PARAMETERS

CTR Number	Nonconventional Parameters	CAS Number	Units	Effluent Sample Type
NL	Foaming Agents (MBAS)	MBAS	mg/L	24-hour Composite
NL	Hardness (as CaCO ₃)	471-34-1	mg/L	Grab
NL	Specific Conductance (Electrical Conductivity or EC)	EC	µmhos /cm	24-hour Composite
NL	Total Dissolved Solids (TDS)	TDS	mg/L	24-hour Composite
NL	Dissolved Organic Carbon (DOC)	DOC	mg/L	24-hour Composite

NUTRIENTS

CTR Number	Nutrient Parameters	CAS Number	Units	Effluent Sample Type
7	Ammonia (as N)	7664-41-7	mg/L	24-hour Composite
8	Nitrate (as N)	14797-55-8	mg/L	24-hour Composite
9	Nitrite (as N)	14797-65-0	mg/L	24-hour Composite

OTHER CONSTITUENTS OF CONCERN

CTR Number	Other Constituents of Concern	CAS Number	Units	Effluent Sample Type
NL	1,2,3-Trichloropropane (TCP)	96-18-4	ug/L	Grab
NL	Trichlorofluoromethane	75-69-4	µg/L	Grab
NL	1,1,2-Trichloro-1,2,2-Trifluoroethane	76-13-1	µg/L	Grab
NL	Styrene	100-42-5	µg/L	Grab
NL	Xylenes	1330-20-7	µg/L	Grab
NL	Barium	7440-39-3	µg/L	24-hour Composite
NL	Fluoride	16984-48-8	mg/L	24-hour Composite
NL	Molybdenum	7439-98-7	µg/L	24-hour Composite
NL	Tributyltin	688-73-3	µg/L	24-hour Composite
NL	Alachlor	15972-60-8	µg/L	24-hour Composite
NL	Atrazine	1912-24-9	µg/L	24-hour Composite
NL	Bentazon	25057-89-0	µg/L	24-hour Composite
NL	Carbofuran	1563-66-2	µg/L	24-hour Composite
NL	2,4-D	94-75-7	µg/L	24-hour Composite
NL	Dalapon	75-99-0	µg/L	24-hour Composite
NL	1,2-Dibromo-3-chloropropane (DBCP)	96-12-8	µg/L	24-hour Composite
NL	Di(2-ethylhexyl)adipate	103-23-1	µg/L	24-hour Composite
NL	Dinoseb	88-85-7	µg/L	24-hour Composite
NL	Diquat	85-00-7	µg/L	24-hour Composite
NL	Endothal	145-73-3	µg/L	24-hour Composite
NL	Ethylene Dibromide (EDB)	106-93-4	µg/L	24-hour Composite
NL	Methoxychlor	72-43-5	µg/L	24-hour Composite
NL	Molinate (Ordram)	2212-67-1	µg/L	24-hour Composite
NL	Oxamyl	23135-22-0	µg/L	24-hour Composite
NL	Picloram	1918-02-1	µg/L	24-hour Composite
NL	Simazine (Princep)	122-34-9	µg/L	24-hour Composite
NL	Thiobencarb	28249-77-6	µg/L	24-hour Composite
NL	2,4,5-TP (Silvex)	93-72-1	µg/L	24-hour Composite
NL	Chlorpyrifos	2921-88-2	µg/L	24-hour Composite
NL	Diazinon	333-41-5	µg/L	24-hour Composite

2. **Table E-9 Testing Requirements.** The Discharger shall comply with the following testing requirements when monitoring for the parameters described in Table E-9.
 - a. **Redundant Sampling.** The Discharger is not required to conduct effluent monitoring for ammonia nitrogen, nitrate, and nitrite because this Order already includes at least monthly effluent monitoring for these

constituents, as required in Table E-3. Hardness, pH, and temperature shall be conducted with the effluent characterization sampling.

- b. **Applicable to all parameters.** Parameters shall be analyzed using the analytical methods described in 40 CFR part 136 or by methods approved by the Central Valley Water Board or the State Water Board. In addition, if requested by the Discharger, the sample type may be modified by the Executive Officer to another 40 CFR part 136 allowed sample type.
- c. All **24-hour composite** samples shall be collected from a 24-hour flow proportional composite.
- d. **A hand-held field meter** may be used for **temperature** and **pH**, provided the meter utilizes a U.S. EPA-approved algorithm/method and is calibrated and maintained in accordance with the manufacturer's instructions. A calibration and maintenance log for each meter used for monitoring required by this MRP shall be maintained at the Facility.
- e. Receiving water **temperature** and **pH** shall be recorded at the time of the receiving water **ammonia nitrogen** sample collection.
- f. **Hardness** samples shall be collected concurrently with **metals** samples.
- g. **Bis (2-ethylhexyl) phthalate.** In order to verify if bis (2-ethylhexyl) phthalate is truly present, the Discharger shall take steps to assure that sample containers, sampling apparatus, and analytical equipment are not sources of the detected contaminant.
- h. **2,3,7,8-TCDD (Dioxin).** Only one sample is required in the effluent and receiving water during the permit term for 2,3,7,8-TCDD (Dioxin).

X. REPORTING REQUIREMENTS

A. General Monitoring and Reporting Requirements

- 1. The Discharger shall comply with all Standard Provisions (Attachment D) related to monitoring, reporting, and recordkeeping.
- 2. Upon written request of the Central Valley Water Board, the Discharger shall submit a summary monitoring report. The report shall contain both tabular and graphical summaries of the monitoring data obtained during the previous year(s).
- 3. **Compliance Time Schedules.** For compliance time schedules included in the Order, the Discharger shall submit to the Central Valley Water Board, on or before each compliance due date, the specified document or a written report detailing compliance or noncompliance with the specific date and task. If noncompliance is reported, the Discharger shall state the reasons for

noncompliance and include an estimate of the date when the Discharger will be in compliance. The Discharger shall notify the Central Valley Water Board by letter when it returns to compliance with the compliance time schedule.

4. The Discharger shall report to the Central Valley Water Board any toxic chemical release data it reports to the State Emergency Response Commission within 15 days of reporting the data to the Commission pursuant to section 313 of the "Emergency Planning and Community Right to Know Act" of 1986.

B. Self-Monitoring Reports (SMRs)

1. The Discharger shall electronically submit SMRs using the State Water Board’s [California Integrated Water Quality System \(CIWQS\) Program website](http://www.waterboards.ca.gov/water_issues/programs/ciwqs/) (http://www.waterboards.ca.gov/water_issues/programs/ciwqs/). The CIWQS website will provide additional information for SMR submittal in the event there will be a planned service interruption for electronic submittal.
2. The Discharger shall report in the SMR the results for all monitoring specified in this MRP under sections III through IX. The Discharger shall submit monthly, quarterly, and annual SMRs including the results of all required monitoring using U.S. EPA-approved test methods or other test methods specified in this Order. SMRs are to include all new monitoring results obtained since the last SMR was submitted. If the Discharger monitors any pollutant more frequently than required by this Order, the results of this monitoring shall be included in the calculations and reporting of the data submitted in the SMR. Monthly SMRs are required even if there is no discharge. If no discharge occurs during the month, the monitoring report must be submitted stating that there has been no discharge.
3. Monitoring periods and reporting for all required monitoring shall be completed according to the following schedule:

Table E-10. Monitoring Periods and Reporting Schedule

Sampling Frequency	Monitoring Period Begins On	Monitoring Period	SMR Due Date
Continuous	Permit effective date	All	Submit with monthly SMR
1/Day	Permit effective date	(Midnight through 11:59 PM) or any 24-hour period that reasonably represents a calendar day for purposes of sampling.	Submit with monthly SMR
2/Week	Permit effective date	Sunday through Saturday	Submit with monthly SMR
1/Week	Permit effective date	Sunday through Saturday	Submit with monthly SMR

Sampling Frequency	Monitoring Period Begins On	Monitoring Period	SMR Due Date
2/Month	Permit effective date	1st day of calendar month through last day of calendar month	First day of second calendar month following month of sampling
1/Month	Permit effective date	1st day of calendar month through last day of calendar month	First day of second calendar month following month of sampling
1/Quarter	Permit effective date	1 January through 31 March 1 April through 30 June 1 July through 30 September 1 October through 31 December	1 May 1 August 1 November 1 February of following year
1/Year	Permit effective date	1 January through 31 December	1 February of following year

4. **Reporting Protocols.** The Discharger shall report with each sample result the applicable RL and the current laboratory’s Method Detection Limit (MDL), as determined by the procedure in 40 C.F.R. part 136.

The Discharger shall report the results of analytical determinations for the presence of chemical constituents in a sample using the following reporting protocols:

- a. Sample results greater than or equal to the RL shall be reported as measured by the laboratory (i.e., the measured chemical concentration in the sample).
- b. Sample results less than the RL, but greater than or equal to the laboratory’s MDL, shall be reported as “Detected, but Not Quantified,” or DNQ. The estimated chemical concentration of the sample shall also be reported.

For the purposes of data collection, the laboratory shall write the estimated chemical concentration next to DNQ. The laboratory may, if such information is available, include numerical estimates of the data quality for the reported result. Numerical estimates of data quality may be percent accuracy (\pm a percentage of the reported value), numerical ranges

- (low to high), or any other means considered appropriate by the laboratory.
- c. Sample results less than the laboratory's MDL shall be reported as "Not Detected," or ND.
 - d. Dischargers are to instruct laboratories to establish calibration standards so that the ML value (or its equivalent if there is differential treatment of samples relative to calibration standards) is the lowest calibration standard. At no time is the Discharger to use analytical data derived from extrapolation beyond the lowest point of the calibration curve.
5. **Multiple Sample Data.** When determining compliance with an average monthly effluent limitation (AMEL), average weekly effluent limitation (AWEL), average annual effluent limitation (AAEL), or maximum daily effluent limitation (MDEL) for priority pollutants and more than one sample result is available, the Discharger shall compute the arithmetic mean unless the data set contains one or more reported determinations of "Detected, but Not Quantified" (DNQ) or "Not Detected" (ND). In those cases, the Discharger shall compute the median in place of the arithmetic mean in accordance with the following procedure:
- a. The data set shall be ranked from low to high, ranking the reported ND determinations lowest, DNQ determinations next, followed by quantified values (if any). The order of the individual ND or DNQ determinations is unimportant.
 - b. The median value of the data set shall be determined. If the data set has an odd number of data points, then the median is the middle value. If the data set has an even number of data points, then the median is the average of the two values around the middle unless one or both of the points are ND or DNQ, in which case the median value shall be the lower of the two data points where DNQ is lower than a value and ND is lower than DNQ.
6. The Discharger shall submit SMRs in accordance with the following requirements:
- a. The Discharger shall arrange all reported data in a tabular format. The data shall be summarized to clearly illustrate whether the Facility is operating in compliance with interim and/or final effluent limitations. The Discharger is not required to duplicate the submittal of data that is entered in a tabular format within CIWQS. When electronic submittal of data is required and CIWQS does not provide for entry into a tabular format within the system, the Discharger shall electronically submit the data in a tabular format as an attachment.
 - b. The Discharger shall attach a cover letter to the SMR. The information contained in the cover letter shall clearly identify violations of the waste

- discharge requirements (WDRs); discuss corrective actions taken or planned; and the proposed time schedule for corrective actions. Identified violations must include a description of the requirement that was violated and a description of the violation.
- c. The Discharger shall attach all final laboratory reports from all contracted commercial laboratories, including quality assurance/quality control information, with all its SMRs for which sample analyses were performed.
7. The Discharger shall submit in the SMRs calculations and reports in accordance with the following requirements:
- a. **Calendar Annual Average Limitations.** For constituents with effluent limitations specified as “calendar annual average” (electrical conductivity) the Discharger shall report the calendar annual average in the December SMR. The annual average shall be calculated as the average of the samples gathered for the calendar year.
 - b. **Removal Efficiency (BOD₅ and TSS).** The Discharger shall calculate and report the percent removal of BOD₅ and TSS in the SMRs. The percent removal shall be calculated as specified in section VII.A of the Waste Discharge Requirements.
 - c. **Total Coliform Organisms Effluent Limitations.** The Discharger shall calculate and report the 7-day median of total coliform organisms for the effluent. The 7-day median of total coliform organisms shall be calculated as specified in section VII.C of the Waste Discharge Requirements.
 - d. **Dissolved Oxygen Receiving Water Limitations.** The Discharger shall calculate and report monthly in the SMR: (1) the dissolved oxygen concentration, (2) the percent of saturation in the main water mass, and (3) the 95th percentile dissolved oxygen concentration.
 - e. **Turbidity Receiving Water Limitations.** The Discharger shall calculate and report the turbidity increase in the receiving water applicable to the natural turbidity condition specified in section V.A.16 of the Waste Discharge Requirements.
 - f. **Temperature Receiving Water Limitations.** The Discharger shall calculate and report the temperature increase in the receiving water based on the difference in temperature at Monitoring Locations RSW-001 and RSW-002.

C. Discharge Monitoring Reports (DMRs)

1. DMRs are U.S. EPA reporting requirements. The Discharger shall electronically certify and submit DMRs together with SMRs using Electronic Self-Monitoring Reports module eSMR 2.5 or any upgraded version. Electronic DMR submittal

will be in addition to electronic SMR submittal.

[Information about electronic DMR submittal](http://www.waterboards.ca.gov/water_issues/programs/discharge_monitoring/)

(http://www.waterboards.ca.gov/water_issues/programs/discharge_monitoring/)
is available on the Internet.

D. Other Reports

1. **Analytical Methods Report.** The Discharger shall complete and submit an Analytical Methods Report, electronically via CIWQS submittal, by the due date shown in the Technical Reports Table E-11. The Analytical Methods Report shall include the following for each constituent to be monitored in accordance with this Order: 1) applicable water quality objective, 2) RL, 3) MDL, and 4) analytical method. The analytical methods shall be sufficiently sensitive with RLs consistent with the SSM Rule per 40 C.F.R. sections 122.21(e)(3) and 122.44(i)(1)(iv), and with the MLs in the SIP, Appendix 4. The “Reporting Level or RL” is synonymous with the “Method Minimum Level” described in the SSM Rule. If an RL is not less than or equal to the applicable water quality objective for a constituent, the Discharger shall explain how the proposed analytical method complies with the SSM Rule. Central Valley Water Board staff will provide a tool with the permit’s Notice of Adoption to assist the Discharger in completing this requirement. The tool will include the constituents and associated applicable water quality objectives to be included in the Analytical Methods Report.
2. **Annual Operations Report.** The Discharger shall submit a written report to the Central Valley Water Board, electronically via CIWQS submittal, containing the following by the due date in the Technical Reports Table E-11:
 - a. The names, certificate grades, and general responsibilities of all persons employed at the Facility.
 - b. The names and telephone numbers of persons to contact regarding the plant for emergency and routine situations.
 - c. A statement certifying when the flow meter(s) and other monitoring instruments and devices were last calibrated, including identification of who performed the calibration.
 - d. A statement certifying whether the current operation and maintenance manual, and contingency plan, reflect the wastewater treatment plant as currently constructed and operated, and the dates when these documents were last revised and last reviewed for adequacy.
 - e. The Discharger may also be requested to submit an annual report to the Central Valley Water Board with both tabular and graphical summaries of the monitoring data obtained during the previous year. Any such request shall be made in writing. The report shall discuss the compliance record. If violations have occurred, the report shall also discuss the corrective

actions taken and planned to bring the discharge into full compliance with the waste discharge requirements.

3. **Report of Waste Discharge (ROWD).** For the 5-year permit renewal, the Discharger shall submit a written report to the Central Valley Water Board, electronically via CIWQS submittal, containing, at minimum, the following by the due date in the Technical Reports Table E-11.
 - a. Report of Waste Discharge (Form 200);
 - b. NPDES Form 1;
 - c. NPDES Form 2A;
 - d. NPDES Form 2S; and
 - e. **Salinity Evaluation and Minimization Plan.** The Discharger shall evaluate the effectiveness of the salinity evaluation and minimization plan and provide a summary with the Report of Waste Discharge.

4. **Recycled Water Policy Annual Reports.** In accordance with Section 3 of the Water Quality Control Policy for Recycled Water (Recycled Water Policy), the Discharger shall electronically submit an annual report of monthly data to the State Water Board by 30 April annually covering the previous calendar year using the State Water Board's [GeoTracker website](https://geotracker.waterboards.ca.gov/) (<https://geotracker.waterboards.ca.gov/>). Information for setting up and using the GeoTracker system can be found in the ESI Guide for Responsible Parties document on the State Water Board's website for [Electronic Submittal of Information](https://www.waterboards.ca.gov/ust/electronic_submittal/index.html) (https://www.waterboards.ca.gov/ust/electronic_submittal/index.html).

The annual report to GeoTracker must include volumetric reporting of the items listed in Section 3.2 of the [Recycled Water Policy](https://www.waterboards.ca.gov/board_decisions/adopted_orders/resolutions/2018/121118_7_final_amendment_oal.pdf) (https://www.waterboards.ca.gov/board_decisions/adopted_orders/resolutions/2018/121118_7_final_amendment_oal.pdf). A PDF of the upload confirmation from GeoTracker for the Recycled Water Policy Annual Report shall be uploaded into CIWQS to demonstrate compliance with this reporting requirement.

5. **Technical Report Submittals.** This Order includes requirements to submit a ROWD, special study technical reports, progress reports, and other reports identified in the MRP (hereafter referred to collectively as "technical reports"). The Technical Reports Table and subsequent table notes below summarize all technical reports required by this Order and the due dates for submittal. All technical reports shall be submitted electronically via CIWQS submittal. Technical reports should be uploaded as a PDF, Microsoft Word, or Microsoft Excel file attachment.

Table E-11. Technical Reports

Report #	Technical Report	Due Date	CIWQS Report Name
Intentionally left blank	Standard Reporting Requirements	Intentionally left blank	Intentionally left blank
1	Report of Waste Discharge	31 May 2025	MRP X.D.3
2	Analytical Methods Report	1 June 2021	MRP X.D.1
3	Analytical Methods Report Certification	1 April 2022	MRP IX.C.4
4	Annual Operations Report	1 February 2022	MRP X.D.2
5	Annual Operations Report	1 February 2023	MRP X.D.2
6	Annual Operations Report	1 February 2024	MRP X.D.2
7	Annual Operations Report	1 February 2025	MRP X.D.2
8	Annual Operations Report	1 February 2026	MRP X.D.2
9	Recycled Water Policy Annual Report Submittal Confirmation	30 April 2022	MRP X.D.4
10	Recycled Water Policy Annual Report Submittal Confirmation	30 April 2023	MRP X.D.4
11	Recycled Water Policy Annual Report Submittal Confirmation	30 April 2024	MRP X.D.4
12	Recycled Water Policy Annual Report Submittal Confirmation	30 April 2025	MRP X.D.4
13	Recycled Water Policy Annual Report Submittal Confirmation	30 April 2026	MRP X.D.4

ATTACHMENT F – FACT SHEET

Table of Contents

I. Permit Information 3

II. Facility Description 4

 A. Description of Wastewater and Biosolids Treatment and Controls 5

 B. Discharge Points and Receiving Waters 5

 C. Summary of Existing Requirements and Self-Monitoring Report (SMR) Data 5

 D. Compliance Summary 7

 E. Planned Changes 8

III. Applicable Plans, Policies, and Regulations 8

 A. Legal Authorities 8

 B. California Environmental Quality Act (CEQA) 8

 C. State and Federal Laws, Regulations, Policies, and Plans 8

 D. Impaired Water Bodies on CWA 303(d) List 12

 E. Other Plans, Policies, and Regulations 12

IV. Rationale For Effluent Limitations and Discharge Specifications 13

 A. Discharge Prohibitions 14

 B. Technology-Based Effluent Limitations 16

 1. Scope and Authority 16

 2. Applicable Technology-Based Effluent Limitations 16

 C. Water Quality-Based Effluent Limitations (WQBEL's) 17

 1. Scope and Authority 17

 2. Applicable Beneficial Uses and Water Quality Criteria and Objectives 18

 3. Determining the Need for WQBEL's 28

 4. WQBEL Calculations 52

 5. Whole Effluent Toxicity (WET) 54

 D. Final Effluent Limitation Considerations 56

 1. Mass-based Effluent Limitations 56

 2. Averaging Periods for Effluent Limitations 57

 3. Satisfaction of Anti-Backsliding Requirements 57

 4. Antidegradation Policies 59

 5. Stringency of Requirements for Individual Pollutants 60

 E. Interim Effluent Limitations – Not Applicable 62

 F. Land Discharge Specifications 62

 G. Recycling Specifications 62

V. Rationale for Receiving Water Limitations 62

 A. Surface Water 62

 B. Groundwater 63

VI. Rationale for Provisions 63

 A. Standard Provisions 63

 B. Special Provisions 64

 1. Reopener Provisions 64

 2. Special Studies and Additional Monitoring Requirements 66

 3. Best Management Practices and Pollution Prevention 69

 4. Construction, Operation, and Maintenance Specifications 69

- 5. Special Provisions for Publicly-Owned Treatment Works (POTW's)..... 70
- 6. Other Special Provisions..... 70
- 7. Compliance Schedules – Not Applicable 70
- VII. Rationale for Monitoring and Reporting Requirements 70
 - A. Influent Monitoring 71
 - B. Effluent Monitoring 71
 - C. Whole Effluent Toxicity (WET) Testing Requirements 73
 - D. Receiving Water Monitoring 73
 - 1. Surface Water 73
 - 2. Groundwater – Not Applicable 74
 - E. Other Monitoring Requirements 74
- VIII. Public Participation 75
 - A. Notification of Interested Persons 75
 - B. Written Comments 76
 - C. Public Hearing 76
 - D. Reconsideration of Waste Discharge Requirements..... 76
 - E. Information and Copying 77
 - F. Register of Interested Persons 77
 - G. Additional Information 77

Tables

- Table F-1. Facility Information 3
- Table F-2. Historic Effluent Limitations 5
- Table F-3 Basin Plan Beneficial Uses 9
- Table F-4. 303 (d) List for the Yuba River, South Fork (Headwaters to Spaulding, Lake) 12
- Table F-5. Summary of Technology-based Effluent Limitations 17
- Table F-6. Summary of CTR Criteria for Hardness-dependent Metals 21
- Table F-7. Verification of CTR Compliance for Nickel 28
- Table F-8. Verification of CTR Compliance for Lead 28
- Table F-9. Salinity Water Quality Criteria/Objectives 30
- Table F-10. Summary of Water Quality-Based Effluent Limitations 54
- Table F-11. Whole Effluent Chronic Toxicity Testing Results 56
- Table F-12. Summary of Final Effluent Limitations 61

ATTACHMENT F – FACT SHEET

As described in section II.B of this Order, the Central Valley Water Board incorporates this Fact Sheet as findings of the Central Valley Water Board supporting the issuance of this Order. This Fact Sheet discusses the legal requirements and technical rationale that serve as the basis for the requirements of this Order.

This Order has been prepared under a standardized format to accommodate a broad range of discharge requirements for Dischargers in California. Only those sections or subsections of this Order that are specifically identified as “not applicable” have been determined not to apply to this Discharger. Sections or subsections of this Order not specifically identified as “not applicable” are fully applicable to this Discharger.

I. PERMIT INFORMATION

The following table summarizes administrative information related to the Facility.

Table F-1. Facility Information

Waste Discharge ID:	5A290105001
CIWQS Facility Place ID:	220548
Discharger:	Donner Summit Public Utility District
Name of Facility:	Wastewater Treatment Plant
Facility Address:	53823 Sherritt Lane
Facility City, State Zip:	Soda Springs, CA 95728
Facility County:	Nevada County
Facility Contact, Title and Phone Number:	Thomas G. Skjelstad, General Manager, (530) 426-3456
Authorized Person to Sign and Submit Reports:	Thomas G. Skjelstad, General Manager, (530) 426-3456
Mailing Address:	P.O. Box 610 Soda Springs, CA 95728
Billing Address:	Same as Mailing Address
Type of Facility:	Publicly Owned Treatment Works (POTW)
Major or Minor Facility:	Minor
Threat to Water Quality:	2
Complexity:	B
Pretreatment Program:	Not Applicable
Recycling Requirements:	Producer
Facility Permitted Flow:	0.52 million gallons per day (MGD), average dry weather flow
Facility Design Flow:	0.52 MGD, average dry weather flow
Watershed:	Upper Yuba

Receiving Water:	South Yuba River
Receiving Water Type:	Inland Surface Water

- A. Donner Summit Public Utility District (hereinafter Discharger) is the owner and operator of the Donner Summit Public Utility District Wastewater Treatment Plant (hereinafter Facility), POTW. The U.S. Department of Agriculture Forest Service owns the property on which the Facility is located.

For the purposes of this Order, references to the “discharger” or “permittee” in applicable federal and state laws, regulations, plans, or policy are held to be equivalent to references to the Discharger herein.

- B. The Facility discharges wastewater to the South Yuba River, a water of the United States within the Upper Yuba watershed. The Discharger was previously regulated by Order R5-2015-0068-01 and National Pollutant Discharge Elimination System (NPDES) Permit No. CA0081621 adopted on 4 June 2015 with an expiration date of 31 July 2020. Attachment B provides a map of the area around the Facility. Attachment C provides a flow schematic of the Facility.
- C. When applicable, state law requires dischargers to file a petition with the State Water Resources Control Board (State Water Board), Division of Water Rights and receive approval for any change in the point of discharge, place of use, or purpose of use of treated wastewater that decreases the flow in any portion of a watercourse. The State Water Board retains separate jurisdictional authority to enforce any applicable requirements under Water Code section 1211. This is not an NPDES permit requirement.
- D. The Discharger filed a report of waste discharge (ROWD) and submitted an application for reissuance of its waste discharge requirements (WDRs) and NPDES permit on 22 January 2020. The application was deemed complete on 14 February 2020.
- E. Regulations at 40 C.F.R. section 122.46 limit the duration of NPDES permits to a fixed term not to exceed 5 years. Accordingly, Table 3 of this Order limits the duration of the discharge authorization. Under 40 C.F.R. section 122.6(d), states authorized to administer the NPDES program may administratively continue state-issued permits beyond their expiration dates until the effective date of the new permits, if state law allows it. Pursuant to California Code of Regulations (CCR), Title 23, section 2235.4, the terms and conditions of an expired permit are automatically continued pending reissuance of the permit if the Discharger complies with all federal NPDES requirements for continuation of expired permits.

II. FACILITY DESCRIPTION

The Discharger provides sewerage service for the Donner Summit Public Utility District, the Norden and Soda Springs areas, the Sugar Bowl and Soda Springs ski resorts, the Serene Lakes subdivision, Sierra Lakes County Water District, and CalTrans rest areas,

and serves a population of approximately 2,000. However, due to the ski resorts and other seasonal tourism, the daily flows to the Facility can fluctuate greatly. The design average dry weather flow capacity of the Facility is 0.52 MGD.

Disinfected tertiary treated municipal wastewater is used to spray irrigate a portion of the Soda Springs Mountain Resort. The Discharger has a 30-year lease agreement (signed in 2008) with the landowner, Boreal Ski Corporation. The lease encompasses 125 total acres, of which approximately 53 acres are used for irrigation.

When conditions allow, the Discharger reclaims disinfected tertiary treated municipal wastewater by sending the treated wastewater to the Soda Springs Mountain Resort for snowmaking.

A. Description of Wastewater and Biosolids Treatment and Controls

The treatment system at the Facility consists of influent flow equalization to control seasonal surges, preliminary treatment, a conventional activated sludge process, lime addition equipment to increase alkalinity for ammonia removal, two bioreactors for biological nutrient removal (nitrification/denitrification), membrane filtration, and an ultraviolet light (UV) disinfection system.

Biosolids treatment consists of two aerobic digesters and sludge drying beds. Dried biosolids are hauled to a landfill in Nevada for disposal. The Facility produces approximately 171 dry metric tons of dried biosolids annually. Transportation and disposal/reuse of the biosolids is regulated by U.S. EPA under 40 C.F.R. part 503.

B. Discharge Points and Receiving Waters

1. The Facility is located in section 22, T17N, R14E, MDB&M, as shown in Attachment B, a part of this Order.
2. Treated municipal wastewater is discharged at Discharge Point 001 to the South Yuba River, a water of the United States at a point latitude 39° 20' 04" N and longitude 120° 24' 09" W.

C. Summary of Existing Requirements and Self-Monitoring Report (SMR) Data

Effluent Limitations contained in Order R5-2015-0068-01 for discharges from Discharge Point 001 (Monitoring Location EFF-001) and representative monitoring data from the term of Order R5-2015-0068-01 are as follows:

Table F-2. Historic Effluent Limitations

Parameter	Units	Historic Effluent Limitations	Highest Average Monthly Discharge	Highest Average Weekly Discharge	Highest Daily Discharge
Flow	MGD	MDEL 0.52 (see table note 1. below)	--	--	0.994

Parameter	Units	Historic Effluent Limitations	Highest Average Monthly Discharge	Highest Average Weekly Discharge	Highest Daily Discharge
Biochemical Oxygen Demand 5-day @ 20°Celsius	mg/L	AMEL 10 AWEL 15 MDEL 30	3.0	5.0	6.9
Biochemical Oxygen Demand 5-day @ 20°Celsius	lbs/day (see table note 2. below)	AMEL 43 AWEL 65 MDEL 130	11	16	23
Biochemical Oxygen Demand 5-day @ 20°Celsius	% Removal	AMEL 85	90 (see table note 3. below)	--	--
pH	standard conditions	Instantaneous Max 6.5 Instantaneous Min 8.0	--	--	6.2 – 8.2
Total Suspended Solids	mg/L	AMEL 10 AWEL 15 MDEL 30	2.0	4.0	7.0
Total Suspended Solids	lbs/day (see table note 2. below)	AMEL 43 AWEL 65 MDEL 130	6.0	11	15
Total Suspended Solids	% Removal	AMEL 85	92 (see table note 3. below)	--	--
Lead, Total Recoverable	µg/L	AMEL 0.33 MDEL 0.66	1.8	--	1.8
Ammonia Nitrogen, Total (as N)	mg/L	AMEL 2.0 AWEL 4.3	4.2	9.5	--
Ammonia Nitrogen, Total (as N)	lbs/day (see table note 2. below)	AMEL 8.7 AWEL 19	7.5	12.5	--
Manganese, Total Recoverable	µg/L	AMEL 120 AWEL 350	124	124	--
Nitrate plus Nitrite, Total (as N)	mg/L	AMEL 10 AWEL 25	13.49	23.69	
Total Coliform Organisms	MPN/100 mL	AWEL 2.2 (see table note 4. below) AWEL 23 (see table note 5. below) MDEL 240 (see table note 6. below)	--	--	Non-Detect

Parameter	Units	Historic Effluent Limitations	Highest Average Monthly Discharge	Highest Average Weekly Discharge	Highest Daily Discharge
Acute Toxicity	% Survival	MDEL 70/90 (see table notes 7. and 8. below)	--	--	100 (see table note 9. below)
Chronic Toxicity	TUc	(see table note 10. below)	--	--	>1

Table F-2 Notes:

1. The historic effluent limitation of 0.52 MGD is applied as an average dry weather flow effluent limitation.
2. Based on an average dry weather flow of 0.52 MGD.
3. Represents the minimum reported percent removal.
4. Applied as a 7-day median effluent limitation.
5. Not to be exceeded more than once in any 30-day period.
6. Applied as an instantaneous maximum effluent limitation.
7. Minimum percent survival for any one bioassay.
8. Median percent survival of three consecutive acute bioassays.
9. Represents the minimum observed percent survival.
10. There shall be no chronic toxicity in the effluent.

D. Compliance Summary

1. The Central Valley Water Board issued Administrative and Civil Liability (ACL) Complaint R5-2016-0561 on 7 September 2016, which proposed to assess a civil liability of \$6,000 against the Discharger for effluent violations for total recoverable manganese that occurred on 9 January 2016 and 31 January 2016 under Order R5-2015-0068. The Discharger paid the mandatory minimum penalty of \$6,000.
2. The Central Valley Water Board issued ACL Complaint R5-2018-0509 on 5 March 2018, which proposed to assess a civil liability of \$9,000 against the Discharger for effluent violations for total recoverable lead that occurred on 12 September 2017, 30 September 2017, and 31 October 2017 under Order R5-2015-0068-01. The Discharger paid the mandatory minimum penalty of \$9,000.

- 3 The Central Valley Water Board issued ACL Complaint R5-2018-0532 on 17 December 2018, which proposed to assess a civil liability of \$3,000 against the Discharger for effluent violations for total ammonia (as N) that occurred on 24 February 2018 under Order R5-2015-0068-01. The Discharger paid the mandatory minimum penalty of \$3,000 through the Expedited Payment Letter Program.

E. Planned Changes

The Discharger is considering replacing or improving the existing lime-feed system, which would increase alkalinity, resulting in better pH control and more efficient nitrogen removal.

III. APPLICABLE PLANS, POLICIES, AND REGULATIONS

The requirements contained in this Order are based on the requirements and authorities described in this section.

A. Legal Authorities

This Order serves as WDRs pursuant to article 4, chapter 4, division 7 of the California Water Code (commencing with section 13260). This Order is also issued pursuant to section 402 of the federal Clean Water Act (CWA) and implementing regulations adopted by the U.S. EPA and chapter 5.5, division 7 of the Water Code (commencing with section 13370). It shall serve as an NPDES permit for point source discharges from this Facility to surface waters.

B. California Environmental Quality Act (CEQA)

Under Water Code section 13389, this action to adopt an NPDES permit is exempt from the provisions of chapter 3 of CEQA, (commencing with section 21100) of division 13 of the Public Resources Code.

C. State and Federal Laws, Regulations, Policies, and Plans

1. **Water Quality Control Plan.** Requirements of this Order specifically implement the applicable Water Quality Control Plans.
 - a. **Basin Plan.** The Central Valley Water Board adopted a Water Quality Control Plan for the Sacramento River and San Joaquin River Basins, Fifth Edition, May 2018 (hereinafter Basin Plan) that designates beneficial uses, establishes water quality objectives, and contains implementation programs and policies to achieve those objectives for all waters addressed through the plan. Requirements in this Order implement the Basin Plan. In addition, the Basin Plan implements State Water Board Resolution 88-63, which established state policy that all waters, with certain exceptions, should be considered suitable or potentially suitable for municipal or domestic supply. Beneficial uses applicable to the Yuba

River from its sources to Englebright Reservoir, which includes the South Yuba River are as follows:

Table F-3 Basin Plan Beneficial Uses

Discharge Point	Receiving Water Name	Beneficial Use(s)
001	South Yuba River	Existing: Municipal and domestic supply (MUN); agriculture supply, including irrigation and stock watering (AGR); hydropower generation (POW); water contact recreation, including canoeing and rafting (REC-1); non-contact water recreation (REC-2); cold freshwater habitat (COLD); cold spawning, reproduction, and/or early development (SPWN); and wildlife habitat (WILD).
--	Groundwater	Existing: MUN; AGR; industrial service supply (IND); and industrial process supply (PROC).

2. **National Toxics Rule (NTR) and California Toxics Rule (CTR).** U.S. EPA adopted the NTR on 22 December 1992, and later amended it on 4 May 1995 and 9 November 1999. About forty criteria in the NTR applied in California. On 18 May 2000, U.S. EPA adopted the CTR. The CTR promulgated new toxics criteria for California and, in addition, incorporated the previously adopted NTR criteria that were applicable in the state. The CTR was amended on 13 February 2001. These rules contain federal water quality criteria for priority pollutants.

3. **State Implementation Policy.** On 2 March 2000, the State Water Board adopted the Policy for Implementation of Toxics Standards for Inland Surface Waters, Enclosed Bays, and Estuaries of California (State Implementation Policy or SIP). The SIP became effective on 28 April 2000, with respect to the priority pollutant criteria promulgated for California by the U.S. EPA through the NTR and to the priority pollutant objectives established by the Central Valley Water Board in the Basin Plan. The SIP became effective on 18 May 2000, with respect to the priority pollutant criteria promulgated by the U.S. EPA through the CTR. The State Water Board adopted amendments to the SIP on 24 February 2005, which became effective on 13 July 2005. The SIP establishes implementation provisions for priority pollutant criteria and objectives and provisions for chronic toxicity control. Requirements of this Order implement the SIP.

4. **Antidegradation Policy.** Federal regulation 40 C.F.R. section 131.12 requires that the state water quality standards include an antidegradation policy consistent with the federal policy. The State Water Board established California's antidegradation policy in State Water Board Resolution 68-16

(“Statement of Policy with Respect to Maintaining High Quality of Waters in California”) (State Antidegradation Policy). The State Antidegradation Policy is deemed to incorporate the federal antidegradation policy where the federal policy applies under federal law. The State Antidegradation Policy requires that existing water quality be maintained unless degradation is justified based on specific findings. The Basin Plan implements, and incorporates by reference, both the state and federal antidegradation policies. The permitted discharge must be consistent with the antidegradation provision of 40 C.F.R. section 131.12 and the State Antidegradation Policy. The Board finds this order is consistent with the federal and State Water Board antidegradation regulations and policy.

5. **Anti-Backsliding Requirements.** Sections 402(o) and 303(d)(4) of the CWA and federal regulations at 40 C.F.R. section 122.44(l) restrict backsliding in NPDES permits. These anti-backsliding provisions require that effluent limitations in a reissued permit must be as stringent as those in the previous permit, with some exceptions in which limitations may be relaxed.
6. **Domestic Water Quality.** In compliance with Water Code section 106.3, it is the policy of the State of California that every human being has the right to safe, clean, affordable, and accessible water adequate for human consumption, cooking, and sanitary purposes. This Order promotes that policy by requiring discharges to meet maximum contaminant levels (MCLs) designed to protect human health and ensure that water is safe for domestic use.
7. **Endangered Species Act Requirements.** This Order does not authorize any act that results in the taking of a threatened or endangered species or any act that is now prohibited, or becomes prohibited in the future, under either the California Endangered Species Act (Fish and Game Code, sections 2050 to 2097) or the Federal Endangered Species Act (16 U.S.C.A. sections 1531 to 1544). This Order requires compliance with effluent limits, receiving water limits, and other requirements to protect the beneficial uses of waters of the state. The Discharger is responsible for meeting all requirements of the applicable Endangered Species Act.
8. **Emergency Planning and Community Right to Know Act.** Section 13263.6(a) of the Water Code, requires that “the Regional Water Board shall prescribe effluent limitations as part of the WDRs of a POTW for all substances that the most recent toxic chemical release data reported to the state emergency response commission pursuant to section 313 of the Emergency Planning and Community Right to Know Act of 1986 (42 U.S.C. Sec. 11023) (EPCRA) indicate as discharged into the POTW, for which the State Water Board or the Regional Water Board has established numeric water quality objectives, and has determined that the discharge is or may be discharged at a level which will cause, have the reasonable potential to cause, or contribute to, an excursion above any numeric water quality objective.”

The most recent toxic chemical data report does not indicate any reportable off-site releases or discharges to the collection system for this Facility. Therefore, a reasonable potential analysis (RPA) based on information from EPCRA cannot be conducted. Based on information from EPCRA, there is no reasonable potential to cause or contribute to an excursion above any numeric water quality objectives included within the Basin Plan or in any State Water Board plan, so no effluent limitations are included in this permit pursuant to Water Code section 13263.6(a).

However, as detailed elsewhere in this Order, available effluent data indicate that there are constituents present in the effluent that have a reasonable potential to cause or contribute to exceedances of water quality standards and require inclusion of effluent limitations based on federal and state laws and regulations.

9. **Storm Water Requirements.** U.S. EPA promulgated federal regulations for storm water on 16 November 1990 in 40 C.F.R. parts 122, 123, and 124. The NPDES Industrial Storm Water Program regulates storm water discharges from wastewater treatment facilities. Wastewater treatment plants are applicable industries under the storm water program and are obligated to comply with the federal regulations. The State Water Board does not require wastewater treatment facilities with design flows less than 1 MGD to obtain coverage under the Industrial Storm water General Order. Therefore, this Order does not regulate storm water.
10. **Statewide General Waste Discharge Requirements for Sanitary Sewer Systems.** The State Water Board issued General Waste Discharge Requirements for Sanitary Sewer Systems, Water Quality Order 2006-0003-DWQ (General Order) on 2 May 2006. The State Water Board amended the Monitoring and Reporting Program (MRP) for the General Order through Order WQ 2013-0058-EXEC on 6 August 2013. The General Order requires public agencies that own or operate sanitary sewer systems with greater than 1 mile of pipes or sewer lines to enroll for coverage under the General Order. The General Order requires agencies to develop sanitary sewer management plans (SSMPs) and report all sanitary sewer overflows (SSOs), among other requirements and prohibitions.

The Discharger is subject to the requirements of, and must comply with the General Order, as amended by State Water Board Order WQ 2013-0058-EXEC and any subsequent Order.

11. **Sewage Sludge and Biosolids.** This Order does not authorize any act that results in violation of requirements administered by U.S. EPA to implement 40 C.F.R. part 503, Standards for the Use or Disposal of Sewage Sludge. These standards regulate the final use or disposal of sewage sludge that is generated during the treatment of domestic sewage in a municipal wastewater treatment facility. The Discharger is responsible for meeting all applicable

requirements of 40 C.F.R. part 503 that are under U.S. EPA’s enforcement authority.

D. Impaired Water Bodies on CWA 303(d) List

1. Under section 303(d) of the 1972 CWA, states, territories and authorized tribes are required to develop lists of water quality limited segments. The waters on these lists do not meet water quality standards, even after point sources of pollution have installed the minimum required levels of pollution control technology. On 6 April 2018, U.S. EPA gave final approval to California's 2014-2016 section 303(d) List of Water Quality Limited Segments. The Basin Plan references this list of Water Quality Limited Segments (WQLSs), which are defined as "...those sections of lakes, streams, rivers or other fresh water bodies where water quality does not meet (or is not expected to meet) water quality standards even after the application of appropriate limitations for point sources (40 C.F.R. part 130, et seq.)." The Basin Plan also states, "additional treatment beyond minimum federal standards will be imposed on dischargers to [WQLSs]. Dischargers will be assigned or allocated a maximum allowable load of critical pollutants so that water quality objectives can be met in the segment." The listing for the Yuba River, South Fork (Headwaters to Spaulding Lake) includes copper and pH.
2. **Total Maximum Daily Loads (TMDLs).** Table F-4, below, identifies the 303(d) listings and TMDLs for the Yuba River, South Fork (Headwaters to Spaulding Lake). At the time of this permit renewal, there are no approved TMDLs with waste load allocations (WLAs) that apply to this Facility.

Table F-4. 303 (d) List for the Yuba River, South Fork (Headwaters to Spaulding, Lake)

Pollutant	Potential Sources	TMDL Status
Copper	Source Unknown	Not Completed
pH	Source Unknown	Not Completed

3. The 303(d) listings and TMDLs have been considered in the development of the Order. A pollutant-by-pollutant evaluation of each pollutant of concern is described in section IV.C.3 of this Fact Sheet.

E. Other Plans, Policies, and Regulations

1. **Title 27.** The discharge authorized herein and the treatment and storage facilities associated with the discharge of treated municipal wastewater, except for discharges of residual sludge and solid waste, are exempt from the requirements of Title 27, CCR, section 20005 *et seq* (hereafter Title 27). The exemption, pursuant to Title 27 CCR section 20090(a), is based on the following:

- a. The waste consists primarily of domestic sewage and treated effluent;
- b. The WDRs are consistent with water quality objectives; and
- c. The treatment and storage facilities described herein are associated with a municipal wastewater treatment plant.

IV. RATIONALE FOR EFFLUENT LIMITATIONS AND DISCHARGE SPECIFICATIONS

Effluent limitations and toxic and pretreatment effluent standards established pursuant to sections 301 (Effluent Limitations), 302 (Water Quality Related Effluent Limitations), 304 (Information and Guidelines), and 307 (Toxic and Pretreatment Effluent Standards) of the CWA and amendments thereto are applicable to the discharge.

The CWA mandates the implementation of effluent limitations that are as stringent as necessary to meet water quality standards established pursuant to state or federal law [33 U.S.C., section 1311(b)(1)(C); 40 C.F.R. section 122.44(d)(1)]. NPDES permits must incorporate discharge limits necessary to ensure that water quality standards are met. This requirement applies to narrative criteria as well as to criteria specifying maximum amounts of particular pollutants. Pursuant to federal regulations, 40 C.F.R. section 122.44(d)(1)(i), NPDES permits must contain limits that control all pollutants that “are or may be discharged at a level which will cause, have the reasonable potential to cause, or contribute to an excursion above any state water quality standard, including state narrative criteria for water quality.” Federal regulations, 40 C.F.R. section 122.44(d)(1)(vi), further provide that “[w]here a state has not established a water quality criterion for a specific chemical pollutant that is present in an effluent at a concentration that causes, has the reasonable potential to cause, or contributes to an excursion above a narrative criterion within an applicable State water quality standard, the permitting authority must establish effluent limits.”

The CWA requires point source dischargers to control the amount of conventional, non-conventional, and toxic pollutants that are discharged into the waters of the United States. The control of pollutants discharged is established through effluent limitations and other requirements in NPDES permits. There are two principal bases for effluent limitations in the Code of Federal Regulations: 40 C.F.R. section 122.44(a) requires that permits include applicable technology-based limitations and standards; and 40 C.F.R. section 122.44(d) requires that permits include WQBELs to attain and maintain applicable numeric and narrative water quality criteria to protect the beneficial uses of the receiving water where numeric water quality objectives have not been established. The Basin Plan at page 4-27 contains an implementation policy, “Policy for Application of Water Quality Objectives”, that specifies that the Central Valley Water Board “will, on a case-by-case basis, adopt numerical limitations in orders which will implement the narrative objectives.” This Policy complies with 40 C.F.R. section 122.44(d)(1). With respect to narrative objectives, the Central Valley Water Board must establish effluent limitations using one or more of three specified sources, including: (1) U.S. EPA’s published water quality criteria, (2) a proposed state criterion (i.e., water quality objective) or an explicit state policy interpreting its narrative water quality criteria (i.e., the Central

Valley Water Board’s “Policy for Application of Water Quality Objectives”) (40 C.F.R. section 122.44(d)(1)(vi)(A), (B) or (C)), or (3) an indicator parameter.

The Basin Plan includes numeric site-specific water quality objectives and narrative objectives for toxicity, chemical constituents, discoloration, radionuclides, and tastes and odors. The narrative toxicity objective states: “All waters shall be maintained free of toxic substances in concentrations that produce detrimental physiological responses in human, plant, animal, or aquatic life.” (Basin Plan at section 3.1.20) The Basin Plan states that material and relevant information, including numeric criteria, and recommendations from other agencies and scientific literature will be utilized in evaluating compliance with the narrative toxicity objective. The narrative chemical constituents’ objective states that waters shall not contain chemical constituents in concentrations that adversely affect beneficial uses. At minimum, “...water designated for use as domestic or municipal supply (MUN) shall not contain concentrations of chemical constituents in excess of the maximum contaminant levels (MCLs)” in Title 22 of the CCR. The Basin Plan further states that, to protect all beneficial uses, the Central Valley Water Board may apply limits more stringent than MCLs. The narrative tastes and odors objective states: “Water shall not contain taste- or odor-producing substances in concentrations that impart undesirable tastes or odors to domestic or municipal water supplies or to fish flesh or other edible products of aquatic origin, or that cause nuisance, or otherwise adversely affect beneficial uses.”

A. Discharge Prohibitions

1. **Prohibition III.A (No discharge or application of waste other than that described in this Order).** This prohibition is based on Water Code section 13260 that requires filing of a ROWD before discharges can occur. The Discharger submitted a ROWD for the discharges described in this Order; therefore, discharges not described in this Order are prohibited.
2. **Prohibition III.B (Discharge to the South Yuba River from 1 August through 30 September is prohibited).** This prohibition is retained from Order R5-2015-0068-01. The South Yuba River is an ephemeral stream which can cease flowing in late summer, the timing of which is heavily dependent on annual snowpack. This prohibition was implemented following citizen complaints made in 2008 that the Facility’s discharge was contributing to algal growth in the South Yuba River. The Discharger submitted an antidegradation analysis with their ROWD that requests removal of this prohibition for the following reasons: (1) removal of the prohibition will provide the Facility with operational flexibility to discharge to the South Yuba River when the spray fields are not dry enough to permit spray irrigation; (2) to reduce operational costs of pumping to the spray fields; and (3) the citizens now show support of and desire for the high quality discharge (the Facility was upgraded in 2014) to remain in the South Yuba River when the river flow is minimal in late summer. Based on review of the antidegradation analysis, Central Valley Water Board staff have concluded that it does not provide sufficient analyses of potential biostimulatory impacts to the receiving water, consider the high effluent and

receiving water metals concentrations observed over the term of Order R5-2015-0068-01, or provide an evaluation of alternatives or socioeconomic impacts. Therefore, the Central Valley Water Board have not approved the Discharger's request to remove the seasonal discharge prohibition from this Order. If the Discharger decides to pursue removal of seasonal discharge prohibition in section III.B of this Order, the Discharger shall submit a supplemental antidegradation analysis as described in section VI.B.1.g of this Fact Sheet to evaluate whether the lowering of water quality associated with the proposed discharge condition (i.e., direct discharge of tertiary treated wastewater to the South Yuba River year-round) is consistent with the federal and state antidegradation policies, as described in of the Order.

3. **Prohibition III.C (No bypasses or overflow of untreated wastewater, except under the conditions at 40 C.F.R. section 122.41(m)(4)).** As stated in section I.G of Attachment D, Standard Provisions, this Order prohibits bypass from any portion of the Facility. Federal regulations, 40 C.F.R. section 122.41(m), define "bypass" as the intentional diversion of waste streams from any portion of a treatment facility. This section of the federal regulations, 40 C.F.R. section 122.41(m)(4), prohibits bypass unless it is unavoidable to prevent loss of life, personal injury, or severe property damage. In considering the Regional Water Board's prohibition of bypasses, the State Water Board adopted a precedential decision, Order No. WQO 2002-0015, which cites the federal regulations, 40 C.F.R. section 122.41(m), as allowing bypass only for essential maintenance to assure efficient operation.
4. **Prohibition III.D (No controllable condition shall create a nuisance).** This prohibition is based on Water Code section 13050 that requires water quality objectives established for the prevention of nuisance within a specific area. The Basin Plan prohibits conditions that create a nuisance.
5. **Prohibition III.E (No discharge of hazardous waste).** This prohibition is based on CCR, Title 22, section 66261.1 et seq, which prohibits discharge of hazardous waste.
6. **Prohibition III.F (Average Dry Weather Flow).** This prohibition is based on the design average dry weather flow treatment capacity rating for the Facility and ensures the Facility is operated within its treatment capacity. Order R5-2015-0068-01 included flow as an effluent limit based on the Facility design flow. Flow is not a pollutant and therefore has been changed from an effluent limit to a discharge prohibition in this Order, which is an equivalent level of regulation. This Order is not less stringent because compliance with flow as a discharge prohibition will be calculated the same way as the previous Order.

B. Technology-Based Effluent Limitations

1. Scope and Authority

Section 301(b) of the CWA and implementing U.S. EPA permit regulations at 40 C.F.R. section 122.44 require that permits include conditions meeting applicable technology-based requirements at a minimum, and any more stringent effluent limitations necessary to meet applicable water quality standards. The discharge authorized by this Order must meet minimum federal technology-based requirements based on Secondary Treatment Standards at 40 C.F.R. part 133.

Regulations promulgated in 40 C.F.R. section 125.3(a)(1) require technology-based effluent limitations for municipal dischargers to be placed in NPDES permits based on Secondary Treatment Standards or Equivalent to Secondary Treatment Standards.

The Federal Water Pollution Control Act Amendments of 1972 (PL 92-500) established the minimum performance requirements for POTWs [defined in section 304(d)(1)]. Section 301(b)(1)(B) of that Act requires that such treatment works must, as a minimum, meet effluent limitations based on secondary treatment as defined by the U.S. EPA Administrator.

Based on this statutory requirement, U.S. EPA developed secondary treatment regulations, which are specified in 40 C.F.R. part 133. These technology-based regulations apply to all municipal wastewater treatment plants and identify the minimum level of effluent quality attainable by secondary treatment in terms of biochemical oxygen demand (BOD₅), total suspended solids (TSS), and pH.

2. Applicable Technology-Based Effluent Limitations

- a. **BOD₅ and TSS.** Federal regulations at 40 C.F.R. part 133, establish the minimum weekly and monthly average level of effluent quality attainable by secondary treatment for BOD₅ and TSS. In addition, 40 C.F.R. section 133.102, in describing the minimum level of effluent quality attainable by secondary treatment, states that the 30-day average percent removal shall not be less than 85 percent. This Order contains a limitation requiring an average of 85 percent removal of BOD₅ and TSS over each calendar month. This Order requires WQBELs that are equal to or more stringent than the secondary technology-based treatment described in 40 C.F.R. part 133 (see section IV.C.3 of the Fact Sheet for a discussion on pathogens, which includes WQBELs for BOD₅ and TSS).
- b. **pH.** The secondary treatment regulations at 40 C.F.R. part 133 also require that pH be maintained between 6.0 and 9.0 standard units. This

Order, however, requires more stringent WQBELs for pH to comply with the Basin Plan’s water quality objectives for pH.

**Summary of Technology-based Effluent Limitations
 Discharge Point 001**

Table F-5. Summary of Technology-based Effluent Limitations

Parameter	Units	Effluent Limitations
Biochemical Oxygen Demand 5-day @ 20°Celsius	mg/L	AMEL 30 AWEL 45
Biochemical Oxygen Demand 5-day @ 20°Celsius	% Removal	AMEL 85
pH	standard units	Instantaneous Max 6.0 Instantaneous Min 9.0
Total Suspended Solids	mg/L	AMEL 30 AWEL 45
Total Suspended Solids	% Removal	AMEL 85

Table F-5 Note:

- Note that more stringent WQBELs for BOD₅, pH, and TSS are applicable and are established as final effluent limitations in this Order (see section IV.C.3 of this Fact Sheet).

C. Water Quality-Based Effluent Limitations (WQBELs)

1. Scope and Authority

CWA section 301(b) and 40 C.F.R. section 122.44(d) require that permits include limitations more stringent than applicable federal technology-based requirements where necessary to achieve applicable water quality standards. This Order contains requirements, expressed as technology equivalence requirements, more stringent than secondary treatment requirements that are necessary to meet applicable water quality standards. The rationale for these requirements, which consist of tertiary treatment or equivalent requirements, is discussed in section IV.C.3 of this Fact Sheet.

Section 122.44(d)(1)(i) of 40 C.F.R. requires that permits include effluent limitations for all pollutants that are or may be discharged at levels that have the reasonable potential to cause or contribute to an exceedance of a water quality standard, including numeric and narrative objectives within a standard. Where reasonable potential has been established for a pollutant, but there is no numeric criterion or objective for the pollutant, WQBELs must be established using: (1) U.S. EPA criteria guidance under CWA section 304(a), supplemented

where necessary by other relevant information; (2) an indicator parameter for the pollutant of concern; or (3) a calculated numeric water quality criterion, such as a proposed state criterion or policy interpreting the state's narrative criterion, supplemented with other relevant information, as provided in section 122.44(d)(1)(vi).

The process for determining reasonable potential and calculating WQBELs when necessary is intended to protect the designated uses of the receiving water as specified in the Basin Plan, and achieve applicable water quality objectives and criteria that are contained in other state plans and policies, or any applicable water quality criteria contained in the CTR and NTR.

Finally, 40 C.F.R. section 122(d)(1)(vii) requires effluent limits to be developed consistent with any available WLAs developed and approved for the discharge.

2. Applicable Beneficial Uses and Water Quality Criteria and Objectives

The Basin Plan designates beneficial uses, establishes water quality objectives, and contains implementation programs and policies to achieve those objectives for all waters addressed through the plan. In addition, the Basin Plan implements State Water Board Resolution 88-63, which established state policy that all waters, with certain exceptions, should be considered suitable or potentially suitable for MUN.

The Basin Plan on page 2-1 states: "Protection and enhancement of existing and potential beneficial uses are primary goals of water quality planning..." and with respect to disposal of wastewaters states that "...disposal of wastewaters is [not] a prohibited use of waters of the state; it is merely a use which cannot be satisfied to the detriment of beneficial uses."

The federal CWA section 101(a)(2), states: "it is the national goal that wherever attainable, an interim goal of water quality which provides for the protection and propagation of fish, shellfish, and wildlife, and for recreation in and on the water be achieved by July 1, 1983." Federal regulations, developed to implement the requirements of the CWA, create a rebuttable presumption that all waters be designated as fishable and swimmable. Federal regulations, 40 C.F.R. sections 131.2 and 131.10, require that all waters of the state regulated to protect the beneficial uses of public water supply, protection and propagation of fish, shellfish and wildlife, recreation in and on the water, agricultural, industrial and other purposes including navigation. 40 C.F.R. section 131.3(e) defines existing beneficial uses as those uses actually attained after 28 November 1975, whether or not they are included in the water quality standards. Federal regulation, 40 C.F.R. section 131.10 requires that uses be obtained by implementing effluent limitations, requires that all downstream uses be protected, and states that in no case shall a state adopt waste transport or waste assimilation as a beneficial use for any waters of the United States.

- a. **Receiving Water and Beneficial Uses.** Refer to section III.C.1. above for a complete description of the receiving water and beneficial uses.
- b. **Effluent and Ambient Background Data.** The RPA, as described in section IV.C.3 of this Fact Sheet, was based on data collected from January 2017 through December 2019, which includes effluent and ambient background data submitted in SMRs.
- c. **Assimilative Capacity/Mixing Zone.** Based on the available information, the worst-case dilution is assumed to be zero to provide protection for the receiving water beneficial uses. The impact of assuming zero assimilative capacity within the receiving water is that discharge limitations are end-of-pipe limits with no allowance for dilution within the receiving water.
- d. **Conversion Factors.** The CTR contains aquatic life criteria for arsenic, cadmium, chromium III, chromium VI, copper, lead, nickel, silver, and zinc which are presented in dissolved concentrations. U.S. EPA recommends conversion factors to translate dissolved concentrations to total concentrations. The default U.S. EPA conversion factors contained in Appendix 3 of the SIP were used to convert the applicable dissolved criteria to total recoverable criteria.
- e. **Hardness-Dependent CTR Metals Criteria.** The CTR and the NTR contain water quality criteria for seven metals that vary as a function of hardness. The lower the hardness, the lower the water quality criteria. The metals with hardness-dependent criteria include cadmium, copper, chromium III, lead, nickel, silver, and zinc.

This Order has established the criteria for hardness-dependent metals based on the hardness of the receiving water (actual ambient hardness) as required by the SIP (The SIP does not address how to determine the hardness for application to the equations for the protection of aquatic life when using hardness-dependent metals criteria. It simply states, in section 1.2, that the criteria shall be properly adjusted for hardness using the hardness of the receiving water.) and the CTR (The CTR requires that, for waters with a hardness of 400 mg/L (as CaCO₃), or less, the actual ambient hardness of the surface water must be used (40 C.F.R. section 131.38(c)(4)).). The SIP and the CTR require the use of “receiving water” or “actual ambient” hardness, respectively, to determine effluent limitations for these metals. The CTR requires that the hardness values used shall be consistent with the design discharge conditions for design flows and mixing zones (40 C.F.R. section 131.3(c)(4)(ii)). Design flows for aquatic life criteria include the lowest one-day flow with an average reoccurrence frequency of once in ten years (1Q10) and the lowest average seven consecutive day flow with an average reoccurrence frequency of once in ten years (7Q10) (40 C.F.R. section 131.38(c)(2)(iii) Table 4). This section of the

CTR also indicates that the design conditions should be established such that the appropriate criteria are not exceeded more than once in a three year period on average (40 C.F.R. section 131.38(c)(2)(iii) Table 4, notes 1 and 2). The CTR requires that when mixing zones are allowed, the CTR criteria apply at the edge of the mixing zone, otherwise the criteria apply throughout the water body including at the point of discharge (40 C.F.R. section 131.38(c)(2)(i)). The CTR does not define the term “ambient,” as applied in the regulations. Therefore, the Central Valley Water Board has considerable discretion to consider upstream and downstream ambient conditions when establishing the appropriate water quality criteria that fully complies with the CTR and SIP.

i. **Summary Findings**

At design discharge conditions the South Yuba River is effluent dominated. Under these regularly occurring critical conditions the effluent is the receiving water that is used to define the ambient receiving water conditions to define the appropriate water quality criteria in accordance with the CTR and SIP, otherwise if ambient downstream hardness was collected on the same day as effluent hardness, the downstream ambient hardness value is used. The Sacramento Superior Court has previously upheld the Central Valley Water Board’s use of effluent hardness levels in effluent-dominated streams when developing effluent limitations for hardness-dependent metals. (*California Sportfishing Protection Alliance v. California Regional Water Quality Control Board, Central Valley Region*, Super. Ct. Sacramento County, 2012, No. 34-2009-80000309) (Order Denying Petitioners’ Motion to Strike Respondent’s Return of Writ of Mandate and Granting Discharge of the Writ)). The ambient hardness for the South Yuba River is represented by the data in Figure F-1, below, which shows ambient hardness ranging from 11 mg/L to 100 mg/L based on all collected ambient data from July 2020 through November 2020. Given the high variability in ambient hardness values, there is no single hardness value that describes the ambient receiving water for all possible scenarios (e.g., minimum, maximum). Because of this variability, staff has determined that based on the ambient hardness concentrations measured in the receiving water, the Central Valley Water Board has discretion to select ambient hardness values within the range of 11 mg/L (minimum) up to 100 mg/L (maximum). Staff recommends that the Board use the ambient hardness values shown in Table F-6 for the following reasons.

- (a) The ambient receiving water hardness values shown in Table F-6 are consistent with design discharge conditions and will result in criteria and effluent limitations that ensure protection of beneficial uses under all ambient receiving water conditions.

- (b) The Water Code mandates that the Central Valley Water Board establish permit terms that will ensure the reasonable protection of beneficial uses. In this case, using the lowest measured ambient hardness to calculate effluent limitations is not required to protect beneficial uses. Calculating effluent limitations based on the lowest measured ambient hardness is not required by the CTR or SIP and is not reasonable as it would result in overly conservative limits that will impart substantial costs to the Discharger and ratepayers without providing any additional protection of beneficial uses. In compliance with applicable state and federal regulatory requirements, after considering the entire range of ambient hardness values, Central Valley Water Board staff has used the ambient hardness values shown in Table F-6 to calculate the proposed effluent limitations for hardness-dependent metals. The proposed effluent limitations are protective of beneficial uses under all flow conditions.
- (c) Using an ambient hardness that is higher than the minimum observed ambient hardness will result in limits that may allow increased metals to be discharged to the South Yuba River, but such discharge is allowed under the State Antidegradation Policy (State Water Board Resolution 68-16). The Central Valley Water Board finds that this degradation is consistent with the Antidegradation Policy (see antidegradation findings in section IV.D.4 of the Fact Sheet). The Antidegradation Policy requires the Discharger to meet WDRs, which will result in the best practicable treatment or control (BPTC) of the discharge necessary to assure that: a) a pollution or nuisance will not occur, and b) the highest water quality consistent with maximum benefit to the people of the State will be maintained.
- (d) Using the ambient hardness values shown in Table F-6 is consistent with the CTR and SIP requirements for developing metals criteria.

Table F-6. Summary of CTR Criteria for Hardness-dependent Metals

CTR Metals	Ambient Hardness (mg/L)	CTR Criteria (µg/L, total recoverable) (Acute)	CTR Criteria (µg/L, total recoverable) (Chronic)
Copper	44	18 (see table note 4. below)	13 (see table note 4. below)
Chromium III	44	890	110
Cadmium	36 (acute) 44 (chronic)	1.4	1.3
Lead	36	22	0.87
Nickel	44	230	26
Silver	28	0.45	--

CTR Metals	Ambient Hardness (mg/L)	CTR Criteria (µg/L, total recoverable) (Acute)	CTR Criteria (µg/L, total recoverable) (Chronic)
Copper	44	18 (see table note 4. below)	13 (see table note 4. below)
Chromium III	44	890	110
Cadmium	36 (acute) 44 (chronic)	1.4	1.3
Zinc	44	60	60

Table F-6 Notes:

1. **CTR Criteria (ug/L, total recoverable).** Acute and chronic numbers were rounded to two significant figures in accordance with the CTR (40 C.F.R. section 131.38(b)(2)).
2. **Ambient hardness (mg/L).** Values in Table F-6 represent actual observed receiving water hardness measurements from the dataset shown in Figure F-1.
3. The CTR hardness dependent metals criteria equations vary depending on the metal, which results in differences in the range of ambient hardness values that may be used to develop effluent limitations that are protective of beneficial uses and comply with CTR criteria for all ambient flow conditions.
4. A site-specific water effects ratio (WER) of 2.72 was applied in calculating CTR criteria for copper.

ii. **Background**

The State Water Board provided direction regarding the selection of hardness in two precedential water quality orders; WQO 2008-0008 for the City of Davis Wastewater Treatment Plant (Davis Order) and WQO 2004-0013 for the Yuba City Wastewater Treatment Plant (Yuba City Order). The State Water Board recognized that the SIP and the CTR do not discuss the manner in which hardness is to be ascertained, thus regional water boards have considerable discretion in determining ambient hardness so long as the selected value is protective of water quality criteria under the given flow conditions. (Davis Order, p.10). The State Water Board explained that it is necessary that, “The [hardness] value selected should provide protection for all times of discharge under varying hardness conditions.” (Yuba City Order, p. 8). The Davis Order also provides that, “Regardless of the hardness used, the resulting limits must always be protective of water quality criteria under all flow conditions.” (Davis Order, p. 11)

The equation describing the total recoverable regulatory criterion, as established in the CTR, is as follows:

$$\text{CTR Criterion} = \text{WER} \times (e^{m[\ln(H)]+b}) \text{ (Equation 1)}$$

Where:

H = ambient hardness (as CaCO₃)

WER = water-effect ratio

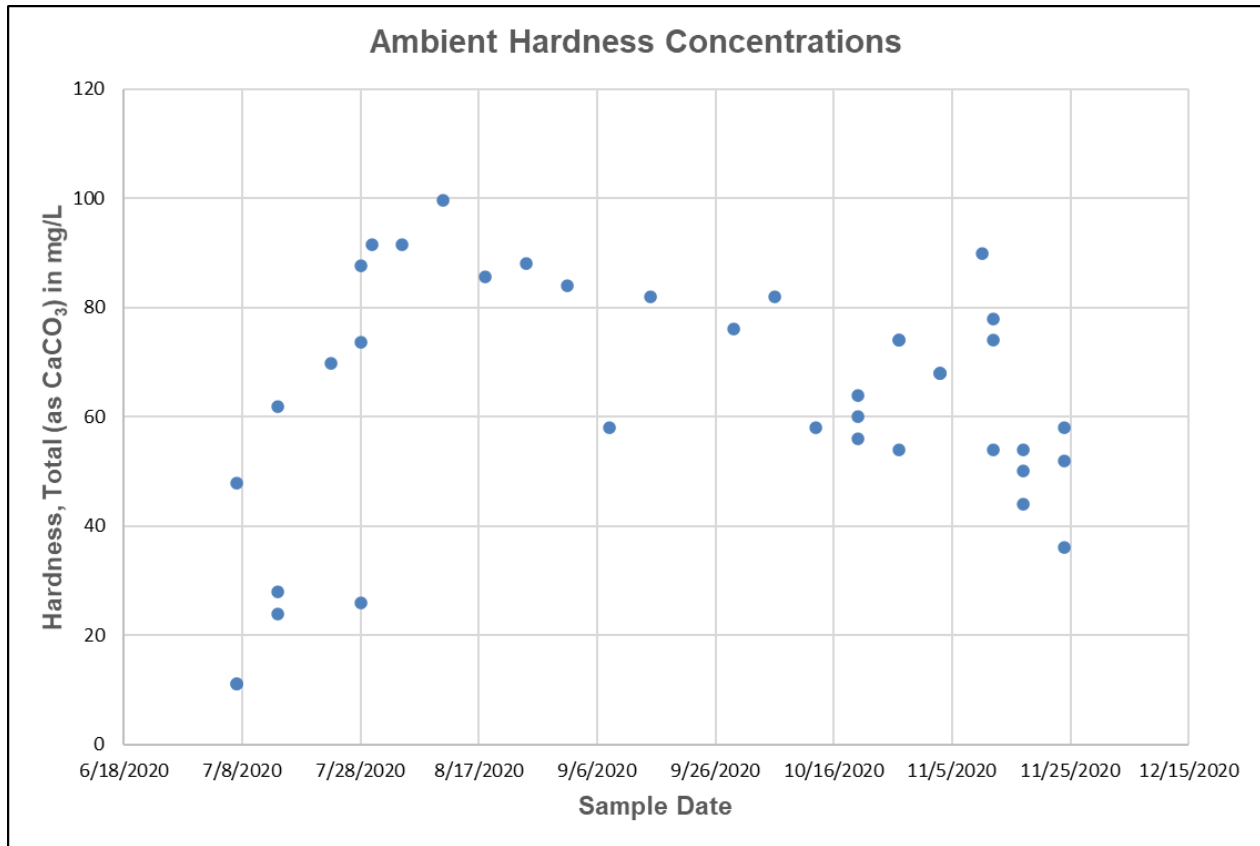
m, b = metal- and criterion-specific constants

The direction in the CTR regarding hardness selection is that it must be based on ambient hardness and consistent with design discharge conditions for design flows and mixing zones. Consistent with design discharge conditions and design flows means that the selected “design” hardness must result in effluent limitations under design discharge conditions that do not result in more than one exceedance of the applicable criteria in a three year period (40 C.F.R. section 131.38(c)(2)(iii) Table 4, notes 1 and 2). Design flows for aquatic life criteria include the 1Q10 and the 7Q10. The 1Q10 and 7Q10 flows are not available for the South Yuba River in the vicinity of the discharge; however, the South Yuba River is an ephemeral stream with periods of no flow. Therefore, the critical design flows were set as zero for the purposes of this analysis.

iii. **Ambient Conditions**

The ambient receiving water hardness varied from 11 mg/L to 100 mg/L, based on 40 samples from July 2020 through November 2020 (see Figure F-1). The Discharger completed an upgrade to the Facility’s lime-feed system which affects the hardness of the effluent. The hardness dataset is from when the new lime-feed system was completed.

Figure F-1. Observed Ambient Hardness Concentrations 11 mg/L – 100 mg/L



In this analysis, the entire range of ambient hardness concentrations shown in Figure F-1 were considered to determine the appropriate ambient hardness to calculate the CTR criteria and effluent limitations that are protective under all discharge conditions.

iv. Approach to Derivation of Criteria

As shown above, ambient hardness varies substantially. Because of the variation, there is no single hardness value that describes the ambient receiving water for all possible scenarios (e.g., minimum, maximum, mid-point). While the hardness selected must be hardness of the ambient receiving water, selection of an ambient receiving water hardness that is too high would result in effluent limitations that do not protect beneficial uses. Also, the use of the minimum ambient hardness would result in criteria that are protective of beneficial uses, but such criteria may not be representative considering the wide range of ambient conditions.

Reasonable worst-case ambient conditions. To determine whether a selected ambient hardness value results in effluent limitations that are fully protective while complying with federal regulations and state policy, staff have conducted an analysis

considering varying ambient hardness and flow conditions. To do this, the Central Valley Water Board has ensured that the receiving water hardness and criteria selected for effluent limitations are protective under “reasonable-worst case ambient conditions.” These conditions represent the receiving water conditions under which derived effluent limitations would ensure protection of beneficial uses under all ambient flow and hardness conditions.

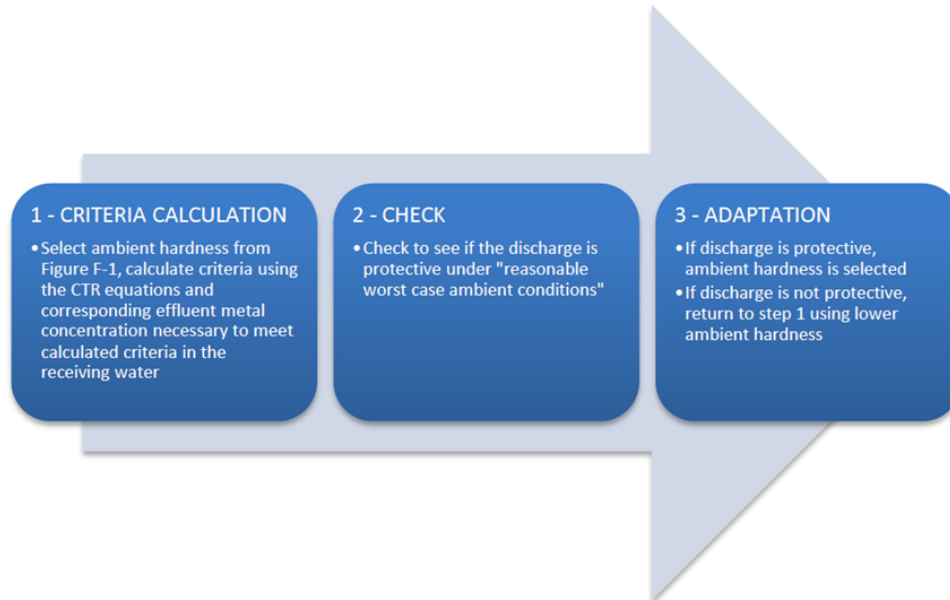
Reasonable worst-case ambient conditions:

- “Low receiving water flow.” CTR design discharge conditions (1Q10 and 7Q10) have been selected to represent reasonable worst-case receiving water flow conditions.
- “High receiving water flow (maximum receiving water flow).” This additional flow condition has been selected consistent with the Davis Order, which required that the hardness selected be protective of water quality criteria under all flow conditions.
- “Low receiving water hardness.” The minimum receiving water hardness condition of 11 mg/L was selected to represent the reasonable worst-case receiving water hardness.
- “Background ambient metal concentration at criteria.” This condition assumes that the metal concentration in the background receiving water is equal to CTR criteria (upstream of the Facility’s discharge). Based on data in the record, this is a design condition that does not regularly occur in the receiving water and is used in this analysis to ensure that limits are protective of beneficial uses even in the situation where there is no assimilative capacity.

Iterative approach. An iterative analysis has been used to select the ambient hardness to calculate the criteria that will result in effluent limitations that protect beneficial uses under all flow conditions.

The iterative approach is summarized in the following algorithm and described below in more detail.

Figure F-2. Criteria Calculation CTR



1. **CRITERIA CALCULATION.** CTR criteria are calculated using the CTR equations based on actual measured ambient hardness sample results, starting with the maximum observed ambient hardness of 100 mg/L. Effluent metal concentrations necessary to meet the above calculated CTR criteria in the receiving water are calculated in accordance with the SIP (SIP section 1.4.B, step 2, provides direction for calculating the Effluent Concentration Allowance.). This should not be confused with an effluent limit. Rather, it is the effluent concentration allowance (ECA), which is synonymous with the WLA defined by U.S. EPA as “a definition of effluent water quality that is necessary to meet the water quality standards in the receiving water” (U.S. EPA Technical Support Document for Water Quality-based Toxics Control (TSD), pg. 96). If effluent limits are found to be needed, the limits are calculated to enforce the ECA considering effluent variability and the probability basis of the limit.
2. **CHECK.** U.S. EPA’s simple mass balance equation (U.S. EPA NPDES Permit Writers’ Handbook (EPA 833-K-10-001 September 2010, pg. 6-24)) is used to evaluate if discharge at the computed ECA is protective. Resultant downstream metal concentrations are compared with downstream calculated CTR criteria under reasonable worst-case ambient conditions.
3. **ADAPT.** If step 2 results in:

- (A) Receiving water metal concentration that complies with CTR criteria under reasonable worst-case ambient conditions, then the hardness value is selected.
- (B) Receiving water metal concentration greater than CTR criteria, then return to step 1, selecting a lower ambient hardness value.

The CTR hardness-dependent metals criteria equations contain metal-specific constants, so the criteria vary depending on the metal. Therefore, steps 1 through 3 above must be repeated separately for each metal until ambient hardness values are determined that will result in criteria and effluent limitations that comply with the CTR and protect beneficial uses for all metals.

v. **Results of Iterative Analysis**

The iterative analyses for each CTR hardness-dependent metal result in the selected ambient hardness values shown in Table F-6, above. Using these actual receiving water sample hardness values to calculate criteria will result in effluent limitations that are protective under all ambient flow conditions. Ambient hardness values are used in the CTR equations to derive criteria and effluent limitations. As an example of the three-step iterative process, Table F-7 below summarizes the numeric results for nickel based on an ambient hardness of 44 mg/L and a calculated ECA of 26 µg/L. Table F-8 below summarizes the numeric results for lead based on an ambient hardness of 36 mg/L and a calculated ECA of 0.87 µg/L. The analysis evaluated all flow conditions and the numeric values for the critical flow conditions are summarized in Tables F-7 and F-8, below. Ambient concentrations for nickel and lead are calculated using the worst-case downstream ambient conditions, which allows for a conservative assumption that will ensure the receiving water complies with CTR criteria. Under the “check” step, worst-case ambient receiving water conditions are used to test whether the effluent discharge results in compliance with CTR criteria and protection of beneficial uses.

The results of the iterative analyses show that the ambient hardness values selected using the three-step iterative process result in protective effluent limitations that achieve CTR criteria under all flow conditions. Tables F-7 and F-8 below summarize the critical flow conditions.

Table F-7. Verification of CTR Compliance for Nickel
 Downstream Worst-Case Ambient Receiving Water Conditions

Critical Flow Conditions	Hardness (mg/L)	CTR Criteria (µg/L)	Ambient Nickel Concentration (µg/L)	Complies with CTR?
1Q10	44	26	26	Yes
7Q10	44	26	26	Yes
Max receiving water flow	11	8.1	8.1	Yes

Table F-8. Verification of CTR Compliance for Lead
 Downstream Worst-Case Ambient Receiving Water Conditions

Critical Flow Conditions	Hardness (mg/L)	CTR Criteria (µg/L)	Ambient Lead Concentration (µg/L)	Complies with CTR?
1Q10	36	1.1	0.87	Yes
7Q10	36	1.1	0.87	Yes
Max receiving water flow	11	0.19	0.19	Yes

3. Determining the Need for WQBELs

CWA section 301(b)(1)(C) requires effluent limitations necessary to meet water quality standards, and 40 C.F.R. section 122.44(d) requires NPDES permits to include conditions that are necessary to achieve water quality standards established under section 303 of the CWA, including state narrative criteria for water quality. Federal regulations at 40 C.F.R 122.44(d)(1)(i) state, “Limitations must control all pollutants or pollutant parameters (either conventional, nonconventional, or toxic pollutants) which the Director determines are or may be discharged at a level that will cause, have the reasonable potential to cause, or contribute to an excursion above any State water quality standard, including State narrative criteria for water quality.” Additionally, 40 C.F.R. section 122(d)(1)(vii) requires effluent limits to be developed consistent with any available WLAs developed and approved for the discharge. The process to determine whether a WQBEL is required as described in 40 C.F.R. section 122.44(d)(1)(i) is referred to as a reasonable potential analysis or RPA. Central Valley Water Board staff conducted RPAs for nearly 200 constituents, including the 126 U.S. EPA priority toxic pollutants. This section includes details of the RPAs for constituents of concern for the Facility. The entire RPA is included in the administrative record and a summary of the constituents of concern is provided in Attachment G. For priority pollutants, the SIP dictates the procedures for conducting the RPA. For non-priority pollutants the Central Valley Water Board is not restricted to one particular RPA method; therefore, the RPAs have been conducted based on U.S. EPA guidance considering multiple lines of evidence and the site-specific conditions of the discharge.

- a. **Constituents with No Reasonable Potential.** WQBELs are not included in this Order for constituents that do not demonstrate reasonable potential

to cause or contribute to an in-stream excursion of an applicable water quality objective; however, monitoring for those pollutants is established in this Order as required by the SIP. If the results of effluent monitoring demonstrate reasonable potential, this Order may be reopened and modified by adding an appropriate effluent limitation.

Most constituents with no reasonable potential are not discussed in this Order. This section only provides the rationale for the RPAs for the following constituents of concern that were found to have no reasonable potential after assessment of the data:

i. **Manganese**

- (a) **WQO.** The Secondary MCL – Consumer Acceptance Limit for manganese is 50 µg/L. The State Water Board Division of Drinking Water (DDW) has established Secondary MCLs to assist public drinking water systems in managing their drinking water for public welfare considerations, such as taste, color, and odor. The Secondary MCL is used to implement the Basin Plan’s chemical constituents objective for the protection of the MUN beneficial use.
- (b) **RPA Results.** For priority pollutants, the SIP dictates the procedures for conducting the RPA. Manganese is not a priority pollutant. Therefore, the Central Valley Water Board is not restricted to one particular RPA method. Due to the site-specific conditions of the discharge, the Central Valley Water Board has used its judgement in determining the appropriate method for conducting the RPA for this non-priority pollutant constituent. The most stringent objective is the Secondary MCL, which is derived from human welfare considerations (e.g., taste, odor, laundry staining), not for toxicity. Secondary MCLs are drinking water standards contained in CCR, Title 22, division 4, chapter 3 (Title 22). Title 22 requires compliance with these standards on an annual average basis, when sampling at least quarterly. To be consistent with how compliance with the standards is determined, the RPA was conducted based on the calendar annual average effluent manganese concentrations. Based on effluent monitoring conducted by the Discharger from January 2017 through December 2019, the maximum annual average effluent concentration for manganese was 25 µg/L, which does not exceed the Secondary MCL. Therefore, the Central Valley Water Board has determined that the discharge does not exhibit reasonable potential to cause or contribute to an exceedance of the Secondary MCL for manganese and effluent limitations for manganese have not been retained from Order R5-2015-0068-01.

ii. **Salinity**

- (a) **WQO.** The Basin Plan contains a chemical constituent objective that incorporates state MCLs, contains a narrative objective, and contains numeric water quality objectives for certain specified water bodies for electrical conductivity, total dissolved solids, sulfate, and chloride. The U.S. EPA National Ambient Water Quality Criteria (NAWQC) for Chloride recommends acute and chronic criteria for the protection of aquatic life. There are no U.S. EPA water quality criteria for the protection of aquatic life for electrical conductivity, total dissolved solids, and sulfate. Additionally, there are no U.S. EPA numeric water quality criteria for the protection of agricultural, livestock, and industrial uses. Numeric values for the protection of these uses are typically based on site specific conditions and evaluations to determine the appropriate constituent threshold necessary to interpret the narrative chemical constituent Basin Plan objective. The Central Valley Water Board must determine the applicable numeric limit to implement the narrative objective for the protection of agricultural supply. Table F-9 below contains various recommended levels for EC or TDS, sulfate, and chloride.

Table F-9. Salinity Water Quality Criteria/Objectives

Parameters	Secondary MCL Recommended Level.	Secondary MCL Upper Level	Secondary MCL Short-term Maximum	U.S. EPA NAWQC	Maximum Calendar Annual Average Effluent Concentration	Maximum Daily Effluent Concentration
EC (µmhos/cm) or TDS (mg/L)	EC 900 or TDS 500	EC 1,600 or TDS 1,000	EC 2,200 or TDS 1,500	N/A	EC 383 or TDS 245	EC 498 or TDS 402
Sulfate (mg/L)	250	500	600	N/A	7.1	9.76
Chloride (mg/L)	250	500	600	860 1-hour / 230 4-day	33	46.1

Table F-9 Notes:

- 1. Agricultural Water Quality Objectives.** Applicable agricultural water quality objectives vary and the Basin Plan includes a narrative objective for salinity. Procedures for establishing the applicable numeric limitation to implement the narrative objective can be found in the Policy for Application of Water Quality Objectives, section 4.2.2.1.9 of the Basin Plan. However, the Basin Plan does not require improvement over naturally occurring background concentrations. In cases where the natural background concentration

of a particular constituent exceeds an applicable water quality objective, the natural background concentration will be considered to comply with the objective.

2. **Secondary MCLs.** Secondary MCLs are for protection of public welfare and are stated as a recommended level, upper level, and a short-term maximum level.
3. **Chloride.** The Secondary MCL for chloride is 250 mg/L, as a recommended level, 500 mg/L as an upper level, and 600 mg/L as a short-term maximum.
4. **Electrical Conductivity or Total Dissolved Solids.** The Secondary MCL for electrical conductivity is 900 μ mhos/cm as a recommended level, 1,600 μ mhos/cm as an upper level, and 2,200 μ mhos/cm as a short-term maximum, or when expressed as total dissolved solids is 500 mg/L as a recommended level, 1,000 mg/L as an upper level, and 1,500 mg/L as a short-term maximum.
5. **Sulfate.** The Secondary MCL for sulfate is 250 mg/L as a recommended level, 500 mg/L as an upper level, and 600 mg/L as a short-term maximum.

(b) **RPA Results**

- (1) **Chloride.** Chloride concentrations in the effluent ranged from 21.9 mg/L to 46.1 mg/L, with a maximum calendar annual average of 33 mg/L. These levels do not exceed the Secondary MCL or NAWQC. Background concentrations in the South Yuba River ranged from 1.09 mg/L to 56.3 mg/L based on four samples collected by the Discharger from January 2017 through December 2019.
- (2) **Electrical Conductivity or Total Dissolved Solids.** Electrical conductivity concentrations in the effluent ranged from 241 μ mhos/cm to 498 μ mhos/cm, with a maximum calendar annual average of 383 μ mhos/cm, based on 23 samples collected from January 2017 through December 2019. These levels do not exceed the Secondary MCL. The background receiving water electrical conductivity ranged from 22 μ mhos/cm to 363 μ mhos/cm based on 23 samples collected from January 2017 through December 2019. Total dissolved solids concentrations in the effluent ranged from 110 mg/L to 402 mg/L, with a maximum calendar annual average of 245 mg/L. These levels do not exceed the Secondary MCL. Background total dissolved solids concentrations in the South Yuba River ranged from non-detect to 75 mg/L based on four samples collected from January 2017 through December 2019.

- (3) **Sulfate.** Sulfate concentrations in the effluent ranged from 2.05 mg/L to 9.76 mg/L, with a maximum calendar annual average of 7.1 mg/L. These levels do not exceed the Secondary MCL. Background concentrations in the South Yuba River ranged from 0.28 mg/L to 2.28 mg/L based on four samples collected by the Discharger from January 2017 through December 2019.
- (c) **WQBELs.** As reported above, the discharge does not have reasonable potential to cause or contribute to an instream excursion of water quality objectives for salinity. Allowing the Discharger to increase its current salt loading may be contrary to the Region-wide effort to address salinity in the Central Valley. Therefore, this Order includes a performance-based effluent limitation of 500 $\mu\text{mhos/cm}$ for EC to be applied as an average annual effluent limitation (AAEL) to limit the discharge to current levels.

This performance-based AAEL represents the maximum annual average effluent EC concentration for a calendar year using data from January 2017 through December 2019, adjusted to account for possible drought, water conservation, and water recycling efforts. The maximum annual average of 383 $\mu\text{mhos/cm}$ occurred during the year 2017.

In order to ensure that the Discharger will continue to control the discharge of salinity, this Order includes a requirement for the Discharger to continue to implement its Salinity Evaluation and Minimization Plan.

On 17 January 2020, certain amendments to the Basin Plan incorporating a Program to Control and Permit Salt Discharges to Surface and Groundwater (Salt Control Program) became effective. Other amendments became effective on 2 November 2020 when approved by the U.S. EPA. The Salt Control Program is a three-phased program, with each phase lasting 10 to 15 years. The Basin Plan requires all salt dischargers to comply with the provisions of the program. Two compliance pathways are available for salt dischargers during Phase 1.

The Phase 1 Compliance pathways are: 1) Conservative Salinity Permitting Approach, which utilizes the existing regulatory structure and focuses on source control, conservative salinity limits on the discharge, and limits the use of assimilative capacity and compliance time schedules; and, 2) Alternative Salinity Permitting Approach, which is an alternative approach to compliance through implementation of specific requirements

such as participating in the Salinity Prioritization and Optimization Study (P&O) rather than the application of conservative discharge limits.

The performance-based AAEL for EC in this Order is consistent with the Alternative Salinity Permitting Approach and compliance with the effluent limit does not ensure the Facility can participate in the Conservative Salinity Permitting Approach. If the Discharger is authorized to participate in the Conservative Salinity Permitting Approach the conservative salinity limits required by the Salinity Control Program will be applied, which may result in more stringent effluent limits.

- (d) **Plan Performance and Attainability.** Analysis of the effluent data shows that the discharge has not exceeded the applicable performance-based effluent limitation. The Central Valley Water Board concludes, therefore, that immediate compliance with these effluent limitations is feasible.
- b. **Constituents with No Data or Insufficient Data.** Reasonable potential cannot be determined for the following constituents because effluent data are limited, or ambient background concentrations are not available. The Discharger is required to continue to monitor for these constituents in the effluent using analytical methods that provide the best feasible detection limits. When additional data become available, further analysis will be conducted to determine whether to add numeric effluent limitations or to continue monitoring.

i. **Thallium**

- (a) **WQO.** The CTR includes a criterion of 1.7 µg/L for thallium for the protection of human health for waters from which both water and organisms are consumed.
- (b) **RPA Results.** The MEC for thallium was 2.35 µg/L based on four samples collected from January 2017 through December 2019. The maximum observed upstream receiving water thallium concentration was 3.59 µg/L based on four samples collected from January 2017 through December 2019.

The maximum effluent and receiving water sample results were collected on 8 November 2018. For comparison to the MEC and maximum observed upstream receiving water thallium results, Central Valley Water Board staff examined historical thallium data collected from characterization monitoring during the last three permit cycles. Prior to the 8 November 2018 sampling event, there were no quantified effluent or receiving water results that exceeded the applicable CTR criterion. Furthermore,

the South Yuba River in the vicinity of the discharge is a pristine high mountain stream with snowmelt as the primary source, which further demonstrates the abnormality of the high upstream receiving water thallium result collected on 8 November 2018.

The Discharger collected four additional effluent and four additional receiving water thallium samples in April and May 2020 using a new lab to verify that thallium was not an issue in the effluent or receiving water. Based on the effluent and receiving water samples provided to the new lab, no results were detected above the reporting level of 0.25 µg/L.

Section 1.2 of the SIP states, “The RWQCB shall have discretion to consider if any data are inappropriate or insufficient for use in implementing this Policy.” The 8 November 2018 effluent and receiving water thallium samples appear to be not representative when compared to historical effluent and receiving water thallium data. Furthermore, recent effluent and receiving water thallium sampling using a new lab returned results below the applicable CTR human health criterion. Therefore, the Central Valley Water Board concludes that the 8 November 2018 effluent and receiving water results are insufficient for use in the RPA.

Section 1.3, step 8 of the SIP allows the Central Valley Water Board to require additional monitoring for a pollutant in place of an effluent limitation if data are unavailable or insufficient. Instead of effluent limitations, monitoring for thallium in the effluent and receiving water will be required quarterly for 1 year, beginning 1 July 2022, as part of the effluent and receiving water characterization described in section IX.C of the MRP, Attachment E. Should monitoring results indicate that the discharge has the reasonable potential to cause or contribute to an exceedance of a water quality standard, this Order may be reopened and modified by adding an appropriate effluent limitation.

- c. **Constituents with Reasonable Potential.** The Central Valley Water Board finds that the discharge has a reasonable potential to cause or contribute to an in-stream excursion above a water quality standard for ammonia, BOD₅, copper, lead, nickel, nitrate plus nitrite, pH, silver, total coliform organisms, TSS, and zinc. WQBELs for these constituents are included in this Order. A summary of the RPA is provided in Attachment

G, and a detailed discussion of the RPA for each constituent is provided below.

i. **Ammonia**

- (a) **WQO.** The 2013 NAWQC for the protection of freshwater aquatic life for total ammonia (2013 Criteria), recommends acute (1-hour average; criteria maximum concentration or CMC) and chronic (30-day average; criteria continuous concentration or CCC) standards based on pH and temperature. U.S. EPA also recommends that no 4-day average concentration should exceed 2.5 times the 30-day CCC.

The 2013 Criteria reflects the latest scientific knowledge on the toxicity of ammonia to certain freshwater aquatic life, including toxicity data on sensitive freshwater unionid mussels, non-pulmonary snails, and other freshwater organisms. The inclusion of new toxicity data for unionid mussels resulted in substantially more stringent criteria. In many cases, current wastewater treatment technologies are not capable of complying with effluent limitations based on the more stringent criteria.

The Central Valley Clean Water Association (CVCWA) organized a coordinated effort for POTWs within the Central Valley Region, the Freshwater Mussel Collaborative Study for Wastewater Treatment Plants, to determine how the latest scientific knowledge on the toxicity of ammonia reflected in the 2013 Criteria could be implemented in the Central Valley Region. Phase I, completed in June 2015, included a State of Knowledge Report developed by a consultant team consisting of Robertson-Bryan, Inc., Larry Walker Associates, and Pacific EcoRisk. The collaborative study involved policy and permitting discussions among representatives from the Central Valley Water Board, U.S. EPA, United States Fish and Wildlife Service (USFWS), California Department of Fish and Wildlife (CDFW), and regional mussel experts regarding the implementation of the 2013 Criteria in POTW NPDES permits. The discussions evaluated permitting approaches that provide reasonable protection of aquatic life beneficial uses, including protection of freshwater mussels.

The State of Knowledge Report explained that the species of freshwater mussels in waters within the Central Valley Region are different than what U.S. EPA used in the toxicity dataset for development of the 2013 Criteria. The State of Knowledge Report indicated that one resident freshwater mussel species

was shown to not be as sensitive as the eastern mussel species used to derive the 2013 Criteria. However, the sensitivity of the other Central Valley Region mussel species was unknown.

Initial work under this project indicated the need to understand whether freshwater mussels are present or absent in POTW receiving waters in order to properly permit the discharge of ammonia in NPDES permits. Hence, a Phase II of the CVCWA study was conducted that developed and validated an effective environmental DNA (eDNA) method for determining the presence/absence of the three freshwater mussel genera in water bodies of the Central Valley. Phase IIb of the study involved further study and application of the eDNA methodology.

CVCWA submitted the Phase IIc Freshwater Mussel Collaborative Study for Wastewater Treatment Plants: Ammonia Criteria Recalculation Final Report, dated January 2020 (Criteria Recalculation Report) developed by the same consultant team. The Criteria Recalculation Report provides toxicity studies demonstrating all freshwater mussel species present in Central Valley Region waters are less sensitive than the eastern species used to develop the 2013 Criteria.

U.S. EPA developed the Guidelines for Deriving Numerical Aquatic Site-Specific Water Quality Criteria by Modifying National Criteria (EPA-600/S3-84-099 December 1984) that provides a Recalculation Procedure. U.S. EPA also developed the Revised Deletion Process for the Site-Specific Recalculation Procedure for Aquatic Life Criteria (EPA-823-R-13-001, April 2013) to guide the development of a site-specific toxicity dataset that is appropriate for deriving a site-specific aquatic life criterion, by modifying the national toxicity dataset for the pollutant of concern through correcting, adding, and/or deleting test results.

The Criteria Recalculation Report implemented U.S. EPA's Recalculation Procedure utilizing toxicity bioassays conducted on resident mussel species to replace the toxicity data for the eastern mussel species in the national dataset to develop site-specific ammonia criteria for waters within the Central Valley Region, including all surface waters in the Sacramento River, San Joaquin River, and Tulare Lake Basin Plans.

A draft Criteria Recalculation Report was provided to the Central Valley Water Board, U.S. EPA Region 9, U.S. EPA Office of Science and Technology, USFWS, and the Nature

Conservancy. Comments were provided by Central Valley Water Board staff and U.S. EPA Office of Science and Technology. U.S. EPA agreed with the recalculation procedure for developing site-specific acute criterion. However, U.S. EPA recommended a more conservative approach for utilizing the acute-to-chronic ratio procedure for developing the site-specific chronic criterion. The final Criteria Recalculation Report addressed the comments and provided revised equations for the chronic criterion in Appendix D.

The Basin Plans' Policy for Application of Water Quality Objectives requires the Central Valley Water Board to consider, "...on a case-by-case basis, direct evidence of beneficial use impacts, all material and relevant information submitted by the discharger and other interested parties, and relevant numerical criteria and guidelines developed and/or published by other agencies and organizations...In considering such criteria, the Board evaluates whether the specific numerical criteria which are available through these sources and through other information supplied to the Board, are relevant and appropriate to the situation at hand and, therefore, should be used in determining compliance with the narrative objective."

The Central Valley Water Board finds that the site-specific ammonia criteria provided in the January 2020 Criteria Recalculation Report implement the Basin Plan's narrative toxicity objective to protect aquatic life beneficial uses of the receiving water. This Order implements the site-specific acute and chronic criteria for ammonia provided by the January 2020 Criteria Recalculation Report, with the adjustments to the chronic criteria recommended by U.S. EPA.

Site-specific Criteria for the South Yuba River. Similar to the U.S. EPA 2013 Criteria, the recalculated site-specific criteria developed in the Criteria Recalculation Report for the acute and chronic criteria are presented based on equations that vary according to pH and temperature. The pH and temperature speciation relationships developed by U.S. EPA were utilized without modification. Equations were developed for situations where freshwater mussels are present and where they are absent. In this case, for the South Yuba River, freshwater mussels have been assumed to be present. In addition, the recalculated criteria include equations that provide enhanced protection for important salmonid species in the genus *Oncorhynchus*, that can be implemented for receiving waters where salmonid species are present. Because the South Yuba River has a beneficial use of cold freshwater habitat and the

presence of salmonids in the South Yuba River is well-documented, the criteria equations for waters where salmonids are present were used.

The acute (1-hour average) criterion or CMC was calculated using paired effluent pH and temperature data, collected during the period from January 2017 and December 2019. The most stringent CMC of 5.62 mg/L (ammonia as N) calculated using the paired effluent pH and temperature data has been implemented in this Order.

The chronic (30-day average) criterion or CCC was calculated using paired effluent pH and temperature data, collected during the period from January 2017 through December 2019. The most stringent 30-day rolling average CCC of 3.16 mg/L (ammonia as N) has been implemented in this Order.

The chronic (4-day average) concentration is derived in accordance with the U.S. EPA criterion as 2.5 times the 30-day CCC. Based on the 30-day CCC of 3.16 mg/L (ammonia as N), the 4-day average concentration that should not be exceeded is 7.91 mg/L (ammonia as N).

- (b) **RPA Results.** The 2013 NAWQC for the protection of freshwater aquatic life for total ammonia (2013 Criteria), recommends acute (1-hour average; criteria maximum concentration or CMC) and chronic (30-day average; criteria continuous concentration or CCC) standards based on pH and temperature. U.S. EPA also recommends that no 4-day average concentration should exceed 2.5 times the 30-day CCC.

The Facility is a POTW that treats domestic wastewater. Untreated domestic wastewater contains ammonia in concentrations that is harmful to aquatic life and exceed the Basin Plan narrative toxicity objective. Federal regulations at 40 C.F.R. section 122.44(d)(1)(i) require that, "Limitations must control all pollutants or pollutant parameters (either conventional, nonconventional, or toxic pollutants) which the Director determines are or may be discharged at a level which will cause, have the reasonable potential to cause, or contribute to an excursion above any State water quality standard, including State narrative criteria for water quality." For priority pollutants, the SIP dictates the procedures for conducting the RPA. Ammonia is not a priority pollutant. Therefore, the Central Valley Water Board is not restricted to one particular RPA method. Due to the site-specific conditions of the discharge, the Central Valley Water Board has used professional judgment in

determining the appropriate method for conducting the RPA for this non-priority pollutant constituent.

U.S. EPA's September 2010 NPDES Permit Writer's Manual, page 6-30, states, "State implementation procedures might allow, or even require, a permit writer to determine reasonable potential through a qualitative assessment process without using available facility-specific effluent monitoring data or when such data are not available...A permitting authority might also determine that WQBELs are required for specific pollutants for all facilities that exhibit certain operational or discharge characteristics (e.g., WQBELs for pathogens in all permits for POTWs discharging to contact recreational waters)."

U.S. EPA's TSD also recommends that factors other than effluent data should be considered in the RPA, "When determining whether or not a discharge causes, has the reasonable potential to cause, or contributes to an excursion of a numeric or narrative water quality criterion for individual toxicants or for toxicity, the regulatory authority can use a variety of factors and information where facility-specific effluent monitoring data are unavailable. These factors also should be considered with available effluent monitoring data." With regard to POTWs, U.S. EPA recommends that, "POTWs should also be characterized for the possibility of chlorine and ammonia problems." (TSD, p. 50)

Nitrification is a biological process that converts ammonia to nitrite and nitrite to nitrate. Denitrification is a process that converts nitrate to nitrite or nitric oxide and then to nitrous oxide or nitrogen gas, which is then released to the atmosphere. The Discharger currently uses nitrification to remove ammonia from the waste stream. Inadequate or incomplete nitrification may result in the discharge of ammonia to the receiving stream. Ammonia is known to cause toxicity to aquatic organisms in surface waters. Discharges of ammonia in concentrations that produce detrimental physiological responses to human, plant, animal, or aquatic life would violate the Basin Plan's narrative toxicity objective. Although the Discharger nitrifies the discharge, inadequate or incomplete nitrification creates the potential for ammonia to be discharged and provides the basis for the discharge to have a reasonable potential to cause or contribute to an in-stream excursion above the site-specific acute and chronic criteria for ammonia provided by the January 2020 Criteria Recalculation Report. Therefore, the Central Valley Water Board finds the discharge has reasonable potential for ammonia and WQBELs are required.

- (c) **WQBELs.** The Central Valley Water Board calculates WQBELs in accordance with SIP procedures for non-CTR constituents, and ammonia is a non-CTR constituent. The SIP procedure assumes a 4-day averaging period for calculating the long-term average discharge condition (LTA). However, U.S. EPA recommends modifying the procedure for calculating permit limits for ammonia using a 30-day averaging period for the calculation of the LTA corresponding to the 30-day CCC. Therefore, while the LTAs corresponding to the acute and 4-day chronic criteria were calculated according to SIP procedures, the LTA corresponding to the 30-day CCC was calculated assuming a 30-day averaging period. The lowest LTA representing the acute, 4-day CCC, and 30-day CCC is then selected for deriving the average monthly effluent limitation (AMEL) and the AWEL. The remainder of the WQBEL calculation for ammonia was performed according to the SIP procedures. This Order contains a final AMEL and AWEL for ammonia of 1.8 mg/L and 3.8 mg/L, respectively, based on the NAWQC.
- (d) **Plant Performance and Attainability.** Analysis of effluent ammonia data shows that immediate compliance with the WQBELs is feasible.

ii. **Copper**

- (a) **WQO.** The CTR includes hardness-dependent criteria for the protection of freshwater aquatic life for copper. These criteria for copper are presented in dissolved concentrations, as 1-hour acute criteria and 4-day chronic criteria. U.S. EPA recommends conversion factors to translate dissolved concentrations to total concentrations.

The Discharger conducted a site-specific WER study for copper (DSPUD Copper Water-Effect Ratio Study prepared by Stantec, dated 17 November 2016) in accordance with applicable U.S. EPA guidance (i.e., EPA-822-R-01-005 and EPA-821-R-02-012), and the results concluded that a site-specific WER of 2.72 for total recoverable copper and for dissolved copper apply to the discharge. This site-specific WER of 2.72 is used in place of the default WER.

As described in section IV.C.2.e of this Fact Sheet, the applicable acute and chronic criteria for copper in the effluent are 18 µg/L and 13 µg/L, respectively, as total recoverable.

- (b) **RPA Results.** The maximum effluent concentration (MEC) for copper was 23.4 µg/L, based on 30 samples collected from

January 2017 through December 2019. The maximum observed upstream receiving water copper concentration was 3.43 µg/L based on four samples collected from January 2017 through December 2019. Therefore, copper in the discharge has a reasonable potential to cause or contribute to an in-stream excursion above the CTR criteria for the protection of freshwater aquatic life.

- (c) **WQBELs.** This Order contains a final AMEL and maximum daily effluent limitation (MDEL) for copper of 6.0 µg/L and 18 µg/L, respectively, based on the CTR criteria for the protection of freshwater aquatic life.
- (d) **Plant Performance and Attainability.** Analysis of the effluent data shows that the MEC of 23.4 µg/L is greater than the applicable WQBELs. Based on the sample results for the effluent, the limitations appear to put the Discharger in immediate non-compliance. The Discharger submitted an Infeasibility Analysis on 18 February 2021 documenting the compliance strategy for meeting final effluent limits for copper. Therefore, the Discharger is subject to Time Schedule Order (TSO) R5-2021-XXXX, which provides a compliance schedule to achieve compliance with the final effluent limitations for copper by 30 October 2023.

iii. **Lead**

- (a) **WQO.** The CTR includes hardness-dependent criteria for the protection of freshwater aquatic life for lead. These criteria for lead are presented in dissolved concentrations, as 1-hour acute criteria and 4-day chronic criteria. U.S. EPA recommends conversion factors to translate dissolved concentrations to total concentrations. Default U.S. EPA translators were used for the effluent and receiving water. As described in section IV.C.2.e of this Fact Sheet, the applicable acute and chronic criteria for lead in the effluent are 22 µg/L and 0.87 µg/L, respectively, as total recoverable. Order R5-2015-0068-01 included effluent limitations for total recoverable lead based on the CTR criteria for the protection of aquatic life.
- (b) **RPA Results.** The MEC for lead was 1.8 µg/L, based on 14 samples collected from January 2017 through December 2019. The maximum observed upstream receiving water lead concentration was 0.85 µg/L based on four samples collected from January 2017 through December 2019. Therefore, lead in the discharge continues to exhibit reasonable

potential to cause or contribute to an in-stream excursion above the CTR criteria for the protection of freshwater aquatic life.

- (c) **WQBELs.** This Order contains a final AMEL and MDEL for lead of 0.72 µg/L and 1.5 µg/L, respectively, based on the CTR criteria for the protection of freshwater aquatic life.
- (d) **Plant Performance and Attainability.** Analysis of the effluent data shows that the MEC of 1.8 µg/L is greater than the applicable WQBELs. Based on the sample results for the effluent, the limitations appear to put the Discharger in immediate non-compliance. The Discharger submitted an Infeasibility Analysis on 18 February 2021 documenting the compliance strategy for meeting final effluent limits for lead. Therefore, the Discharger is subject to TSO R5-2021-XXXX, which provides a compliance schedule to achieve compliance with the final effluent limitations for lead by 30 October 2023.

iv. **Nickel**

- (a) **WQO.** The CTR includes hardness-dependent criteria for the protection of freshwater aquatic life for nickel. These criteria for nickel are presented in dissolved concentrations, as 1-hour acute criteria and 4-day chronic criteria. U.S. EPA recommends conversion factors to translate dissolved concentrations to total concentrations. Default U.S. EPA translators were used for the effluent and receiving water. As described in section IV.C.2.e of this Fact Sheet, the applicable acute and chronic criteria for nickel in the effluent are 230 µg/L and 26 µg/L, respectively, as total recoverable.
- (b) **RPA Results.** The MEC for nickel was 9.6 µg/L based on four samples collected from January 2017 through December 2019. The maximum observed upstream receiving water nickel concentration was 44 µg/L based on four samples collected from January 2017 through December 2019. Therefore, nickel in the discharge has a reasonable potential to cause or contribute to an in-stream excursion above the CTR criteria for the protection of freshwater aquatic life. The observed effluent concentrations do not exceed the 26 µg/L criterion. However, to determine reasonable potential in the receiving water, each upstream receiving water zinc sample concentration is compared to criteria calculated from the upstream hardness concentration measured on the same day the nickel sample was obtained. In this case, on 8 November 2018 the upstream hardness concentration was 57 mg/L resulting in a criteria of 32 µg/L. The observed upstream nickel

concentration on 8 November 2018 was 44 µg/L, which is greater than the criteria of 32 µg/L. Therefore, nickel in the discharge has a reasonable potential.

Water Type	CTR Chronic Criterion (Total Recoverable)	Maximum Concentration (Total Recoverable)	Reasonable Potential? (Y/N)
Receiving Water	32 µg/L	44 µg/L	Yes
Effluent	26 µg/L	9.6 µg/L	No

- (c) **WQBELs.** This Order contains a final AMEL and MDEL for nickel of 22 µg/L and 43 µg/L, respectively, based on the CTR criteria for the protection of freshwater aquatic life.
- (d) **Plant Performance and Attainability.** Analysis of the effluent data shows that the MEC of 9.6 µg/L is greater than the applicable WQBELs. Based on the sample results for the effluent, the limitations appear to put the Discharger in immediate non-compliance. The Discharger submitted an Infeasibility Analysis on 18 February 2021 documenting the compliance strategy for meeting final effluent limits for nickel. Therefore, the Discharger is subject to TSO R5-2021-XXXX, which provides a compliance schedule to achieve compliance with the final effluent limitations for nickel by 30 October 2023.

v. **Nitrate and Nitrite**

- (a) **WQO.** DDW has adopted Primary MCLs for the protection of human health for nitrite and nitrate that are equal to 1 mg/L and 10 mg/L (measured as nitrogen), respectively. DDW has also adopted a Primary MCL of 10 mg/L for the sum of nitrate and nitrite (measured as nitrogen).

U.S. EPA has developed a Primary MCL and an MCL goal of 1 mg/L for nitrite (as nitrogen). For nitrate, U.S. EPA has developed Drinking Water Standards (10 mg/L as a Primary MCL) and NAWQC for protection of human health (10 mg/L for non-cancer health effects).

- (b) **RPA Results.** The Facility is a POTW that treats domestic wastewater. Untreated domestic wastewater contains ammonia in concentrations that is harmful to aquatic life and exceed the Basin Plan’s narrative toxicity objective. This Order, therefore, requires removal of ammonia (i.e., nitrification). Nitrification is a biological process that converts ammonia to nitrate and nitrite and will result in effluent nitrate concentrations above the

Primary MCL for nitrate plus nitrite. Nitrate concentrations in a drinking water supply above the Primary MCL threatens the health of human fetuses and newborn babies by reducing the oxygen-carrying capacity of the blood (methemoglobinemia).

Federal regulations at 40 C.F.R. section 122.44(d)(1)(i) requires that, "Limitations must control all pollutants or pollutant parameters (either conventional, nonconventional, or toxic pollutants) which the Director determines are or may be discharged at a level which will cause, have the reasonable potential to cause, or contribute to an excursion above any state water quality standard, including State narrative criteria for water quality." For priority pollutants, the SIP dictates the procedures for conducting the RPA. Nitrate and nitrite are not priority pollutants. Therefore, the Central Valley Water Board is not restricted to one particular RPA method. Due to the site-specific conditions of the discharge, the Central Valley Water Board has used professional judgment in determining the appropriate method for conducting the RPA for this non-priority pollutant constituent.

U.S. EPA's September 2010 NPDES Permit Writer's Manual, page 6-30, states, "State implementation procedures might allow, or even require, a permit writer to determine reasonable potential through a qualitative assessment process without using available facility-specific effluent monitoring data or when such data are not available...A permitting authority might also determine that WQBELs are required for specific pollutants for all facilities that exhibit certain operational or discharge characteristics (e.g., WQBELs for pathogens in all permits for POTWs discharging to contact recreational waters)." U.S. EPA's TSD also recommends that factors other than effluent data should be considered in the RPA, "When determining whether or not a discharge causes, has the reasonable potential to cause, or contributes to an excursion of a numeric or narrative water quality criterion for individual toxicants or for toxicity, the regulatory authority can use a variety of factors and information where facility-specific effluent monitoring data are unavailable. These factors also should be considered with available effluent monitoring data." With regard to POTWS, U.S. EPA recommends that, "POTWS should also be characterized for the possibility of chlorine and ammonia problems." (TSD, p. 50)

The concentration of nitrogen in raw domestic wastewater is sufficiently high that the resultant treated wastewater has a reasonable potential to exceed or threat to exceed the Primary MCL for nitrate plus nitrite unless the wastewater is treated for

nitrogen removal, and therefore an effluent limit for nitrate plus nitrite is required. Denitrification is a process that converts nitrate to nitrite or nitric oxide and then to nitrous oxide or nitrogen gas, which is then released to the atmosphere. The Discharger currently uses nitrification/denitrification to remove ammonia, nitrite, and nitrate from the waste stream. Inadequate or incomplete denitrification may result in the discharge of nitrate and/or nitrite to the receiving stream. Discharges of nitrate plus nitrite in concentrations that exceed the Primary MCL would violate the Basin Plan's narrative chemical constituents objective. Although the Discharger denitrifies the discharge, inadequate or incomplete denitrification creates the potential for nitrate and nitrite to be discharged and provides the basis for the discharge to have a reasonable potential to cause or contribute to an in-stream excursion above the Primary MCL. Therefore, the Central Valley Water Board finds the discharge has reasonable potential for nitrate plus nitrite and WQBELs are required.

- (c) **WQBELs.** This Order includes an AMEL and AWEL for nitrate plus nitrite of 10 mg/L and 22 mg/L, respectively, based on the Basin Plan's narrative chemical constituents objection for the protection of the MUN beneficial use. These effluent limitations are included in this Order to assure the treatment process adequately nitrifies and denitrifies the waste stream to protect the MUN beneficial use.
- (d) **Plant Performance and Attainability.** Analysis of the effluent data shows that the maximum observed effluent nitrate plus nitrite concentration of 23.4 mg/L is greater than the applicable WQBELs. However, based on the design of the tertiary treatment system to remove nitrate from the effluent; the Central Valley Water Board concludes that immediate compliance with these effluent limitations are feasible.

vi. **Pathogens**

- (a) **WQO.** DDW has developed reclamation criteria, Title 22, for the reuse of wastewater. Title 22 requires that for spray irrigation of food crops, parks, playgrounds, schoolyards, and other areas of similar public access, wastewater be adequately disinfected, oxidized, coagulated, clarified, and filtered, and that the effluent total coliform levels not exceed a most probable number (MPN) of 2.2 per 100 mL as a 7-day median; 23 MPN/100 mL, not to be exceeded more than once in a 30-day period; and 240 MPN/100 mL, at any time.

Title 22 also requires that recycled water used as a source of water supply for non-restricted recreational impoundments be disinfected tertiary recycled water that has been subjected to conventional treatment. A non-restricted recreational impoundment is defined as "...an impoundment of recycled water, in which no limitations are imposed on body-contact water recreational activities." Title 22 is not directly applicable to surface waters; however, the Central Valley Water Board finds that it is appropriate to apply an equivalent level of treatment to that required by the DDW's reclamation criteria because the receiving water is used for irrigation of agricultural land and for contact recreation purposes. The stringent disinfection criteria of Title 22 are appropriate since the undiluted effluent may be used for the irrigation of food crops and/or for body-contact water recreation. Coliform organisms are intended as an indicator of the effectiveness of the entire treatment train and the effectiveness of removing other pathogens.

- (b) **RPA Results.** Raw domestic wastewater inherently contains human pathogens that threaten human health and life and constitute a threatened pollution and nuisance under CWC section 13050 if discharged untreated to the receiving water. Reasonable potential for pathogens therefore exists and WQBELs are required.

Federal regulations at 40 C.F.R. section 122.44(d)(1)(i) requires that, "Limitations must control all pollutants or pollutant parameters (either conventional, nonconventional, or toxic pollutants) which the Director determines are or may be discharged at a level which will cause, have the reasonable potential to cause, or contribute to an excursion above any State water quality standard, including State narrative criteria for water quality." For priority pollutants, the SIP dictates the procedures for conducting the RPA. Pathogens are not priority pollutants. Therefore, the Central Valley Water Board is not restricted to one particular RPA method. Due to the site-specific conditions of the discharge, the Central Valley Water Board has used professional judgment in determining the appropriate method for conducting the RPA for this non-priority pollutant constituent.

U.S. EPA's September 2010 NPDES Permit Writer's Manual, page 6-30, states, "State implementation procedures might allow, or even require, a permit writer to determine reasonable potential through a qualitative assessment process without using available facility-specific effluent monitoring data or when such data are not available...A permitting authority might also

determine that WQBELs are required for specific pollutants for all facilities that exhibit certain operational or discharge characteristics (e.g., WQBELs for pathogens in all permits for POTWs discharging to contact recreational waters).” U.S. EPA’s TSD also recommends that factors other than effluent data should be considered in the RPA, “When determining whether or not a discharge causes, has the reasonable potential to cause, or contributes to an excursion of a numeric or narrative water quality criterion for individual toxicants or for toxicity, the regulatory authority can use a variety of factors and information where facility-specific effluent monitoring data are unavailable. These factors also should be considered with available effluent monitoring data.” (TSD, p. 50)

The beneficial uses of the South Yuba River include MUN, water contact recreation, and agricultural irrigation supply, and there is, at times, less than 20:1 dilution. To protect these beneficial uses, the Central Valley Water Board finds that the wastewater must be disinfected and adequately treated to prevent disease. Although the Discharger provides disinfection, inadequate or incomplete disinfection creates the potential for pathogens to be discharged. Therefore, the Central Valley Water Board finds the discharge has reasonable potential for pathogens and WQBELs are required.

- (c) **WQBELs.** In accordance with the requirements of Title 22, this Order includes effluent limitations for total coliform organisms of 2.2 MPN/100 mL as a 7-day median; 23 MPN/100 mL, not to be exceeded more than once in a 30-day period; and 240 MPN/100 mL as an instantaneous maximum.

The tertiary treatment process, or equivalent, is capable of reliably meeting a turbidity limitation of 0.2 nephelometric turbidity units (NTU) as a daily average. Failure of the filtration system such that virus removal is impaired would normally result in increased particles in the effluent, which result in higher effluent turbidity. Turbidity has a major advantage for monitoring filter performance, allowing immediate detection of filter failure and rapid corrective action. Coliform testing, by comparison, is not conducted continuously and requires several hours, to days, to identify high coliform concentrations. Therefore, to ensure compliance with DDW recommended Title 22 disinfection criteria, weekly average effluent limitations are impracticable for turbidity. This Order includes operational specifications for turbidity of 0.2 NTU, not to be exceeded more than 5 percent of the time within a 24-hour period and 0.5 NTU as an instantaneous maximum.

This Order contains effluent limitation for BOD₅, total coliform organisms, and TSS, and requires a tertiary level of treatment, or equivalent, necessary to protect the beneficial uses of the receiving water. The Central Valley Water Board has previously considered the factors in Water Code section 13241 in establishing these requirements.

Final WQBELs for BOD₅ and TSS are based on the technical capability of the tertiary process, which is necessary to protect the beneficial uses of the receiving water. BOD₅ is a measure of the amount of oxygen used in the biochemical oxidation of organic matter. The tertiary treatment standards for BOD₅ and TSS are indicators of the effectiveness of the tertiary treatment process. The principal design parameter for wastewater treatment plants is the daily BOD₅ and TSS loading rates and the corresponding removal rate of the system. The application of tertiary treatment processes results in the ability to achieve lower levels for BOD₅ and TSS than the secondary standards currently prescribed. Therefore, this Order requires AMELs and AWELs for BOD₅ and TSS of 10 mg/L and 15 mg/L, respectively, which is technically based on the capability of a tertiary system.

- (d) **Plant Performance and Attainability.** The Facility is designed to provide tertiary treatment with ultraviolet light (UV) disinfection to remove pathogens. The Central Valley Water Board concludes, therefore, that immediate compliance with these effluent limitations is feasible.

vii. **pH**

- (a) **WQO.** The Basin Plan includes a water quality objective for surface waters (except for Goose Lake) that the “pH shall not be depressed below 6.5 nor raised above 8.5.”
- (b) **RPA Results.** Raw domestic wastewater inherently has variable pH. Additionally, some wastewater treatment processes can increase or decrease wastewater pH, which if not properly controlled, would violate the Basin Plan’s numeric objective for pH in the receiving water. Therefore, reasonable potential exists for pH and WQBELs are required.

Federal regulations at 40 C.F.R. section 122.44(d)(1)(i) require that, “Limitations must control all pollutants or pollutant parameters (either conventional, nonconventional, or toxic pollutants) which the Director determines are or may be

discharged at a level which will cause, have the reasonable potential to cause, or contribute to an excursion above any State water quality standard, including State narrative criteria for water quality.” For priority pollutants, the SIP dictates the procedures for conducting the RPA. pH is not a priority pollutant. Therefore, the Central Valley Water Board is not restricted to one particular RPA method. Due to the site-specific conditions of the discharge, the Central Valley Water Board has used professional judgment in determining the appropriate method for conducting the RPA for this non-priority pollutant constituent.

U.S. EPA’s September 2010 NPDES Permit Writer’s Manual, page 6-30, states, “State implementation procedures might allow, or even require, a permit writer to determine reasonable potential through a qualitative assessment process without using available facility-specific effluent monitoring data or when such data are not available...A permitting authority might also determine that WQBELs are required for specific pollutants for all facilities that exhibit certain operational or discharge characteristics (e.g., WQBELs for pathogens in all permits for POTWs discharging to contact recreational waters).” U.S. EPA’s TSD also recommends that factors other than effluent data should be considered in the RPA, “When determining whether or not a discharge causes, has the reasonable potential to cause, or contributes to an excursion of a numeric or narrative water quality criterion for individual toxicants or for toxicity, the regulatory authority can use a variety of factors and information where facility-specific effluent monitoring data are unavailable. These factors also should be considered with available effluent monitoring data.” (TSD, p. 50)

The Facility is a POTW that treats domestic wastewater. Based on 977 samples taken from January 2017 to December 2019, the maximum pH reported was 8.2 and the minimum was 6.2. The Facility exceeded the instantaneous maximum effluent limitation one time on 30 April 2019 and the instantaneous minimum effluent limitation one time on 5 October 2019. Although the Discharger has proper pH controls in place, the pH for the Facility’s influent varies due to the nature of municipal sewage, which provides the basis for the discharge to have a reasonable potential to cause or contribute to an in-stream excursion above the Basin Plan’s numeric objective for pH in the receiving water. Therefore, WQBELs for pH are required in this Order.

- (c) **WQBELs.** Order R5-2015-0068-01 contained instantaneous minimum and instantaneous maximum effluent limitations of 6.5 and 8.0, respectively, based on the treatment capabilities of the Facility. This Order revises the instantaneous maximum effluent limitation from 8.0 to 8.5, in accordance with the Basin Plan objectives for pH. As described in section IV.D.4 of this Fact Sheet, relaxing the instantaneous maximum effluent limitation for pH in this Order is consistent with the antidegradation provisions of 40 C.F.R. section 131.12 and the State Antidegradation Policy.
- (d) **Plant Performance and Attainability.** Effluent pH ranged from 6.2 to 8.2 and the discharger only exceeded the instantaneous effluent limitations twice over the term of the existing Order. The Central Valley Water Board concludes, therefore, that immediate compliance with these effluent limitations is feasible.

viii. **Silver**

- (a) **WQO.** The CTR includes hardness-dependent criteria for the protection of freshwater aquatic life for silver. These criteria for silver are presented in dissolved concentrations, as 1-hour acute criteria. U.S. EPA recommends conversion factors to translate dissolved concentrations to total concentrations. Default U.S. EPA translators were used for the effluent and receiving water. As described in section IV.C.2.e of this Fact Sheet, the applicable acute criterion for silver in the effluent is 0.45 µg/L, as total recoverable.
- (b) **RPA Results.** The MEC for silver was 0.87 µg/L based on four samples collected from January 2017 through December 2019. The maximum observed upstream receiving water silver concentration was 6.92 µg/L based on four samples collected from January 2017 through December 2019. Therefore, silver in the discharge has a reasonable potential to cause or contribute to an in-stream excursion above the CTR criterion for the protection of freshwater aquatic life.
- (c) **WQBELs.** This Order contains a final AMEL and MDEL for silver of 0.23 µg/L and 0.45 µg/L, respectively, based on the CTR criterion for the protection of freshwater aquatic life.
- (d) **Plant Performance and Attainability.** Analysis of the effluent data shows that the MEC of 0.87 µg/L is greater than the applicable WQBELs. Based on the sample results for the effluent, the limitations appear to put the Discharger in immediate non-compliance. The Discharger submitted an Infeasibility Analysis on 18 February 2021 documenting the

compliance strategy for meeting final effluent limits for silver. Therefore, the Discharger is subject to TSO R5-2021-XXXX, which provides a compliance schedule to achieve compliance with the final effluent limitations for silver by 30 October 2023.

ix. **Zinc**

- (a) **WQO.** The CTR includes hardness-dependent criteria for the protection of freshwater aquatic life for zinc. These criteria for zinc are presented in dissolved concentrations, as 1-hour acute criteria and 4-day chronic criteria. U.S. EPA recommends conversion factors to translate dissolved concentrations to total concentrations. Default U.S. EPA translators were used for the effluent and receiving water. As described in section IV.C.2.e of this Fact Sheet, the applicable acute and chronic criteria for zinc in the effluent are 60 µg/L, as total recoverable.
- (b) **RPA Results.** The MEC for zinc was 53 µg/L based on four samples collected from January 2017 through December 2019. The maximum observed upstream receiving water zinc concentration was 42.2 µg/L based on four samples collected from January 2017 through December 2019. The observed effluent concentrations do not exceed the 60 µg/L criterion. However, to determine reasonable potential in the receiving water, each upstream receiving water zinc sample concentration is compared to criteria calculated from the upstream hardness concentration measured on the same day the zinc sample was obtained. In this case, on 1 August 2018 the upstream hardness concentration was 22 mg/L resulting in a criteria of 33 µg/L. The observed upstream zinc concentration on 1 August 2018 was 42 µg/L, which is greater than the criteria of 33 µg/L. Therefore, zinc in the discharge has a reasonable potential to cause or contribute to an in-stream excursion above the CTR criteria for the protection of freshwater aquatic life.

Water Type	CTR Chronic Criterion (Total Recoverable)	Maximum Concentration (Total Recoverable)	Reasonable Potential? (Y/N)
Receiving Water	22 µg/L	42 µg/L	Yes
Effluent	60 µg/L	53 µg/L	No

- (c) **WQBELs.** This Order contains a final AMEL and MDEL for zinc of 30 µg/L and 60 µg/L, respectively, based on the CTR criteria for the protection of freshwater aquatic life.

- (d) **Plant Performance and Attainability.** Analysis of the effluent data shows that the MEC of 52.7 µg/L is greater than the applicable WQBELs. Based on the sample results for the effluent, the limitations appear to put the Discharger in immediate non-compliance. The Discharger submitted an Infeasibility Analysis on 18 February 2021 documenting the compliance strategy for meeting final effluent limits for zinc. Therefore, the Discharger is subject to TSO R5-2021-XXXX, which provides a compliance schedule to achieve compliance with the final effluent limitations for zinc by 30 October 2023.

4. WQBEL Calculations

- a. This Order includes WQBELs for ammonia, BOD₅, copper, electrical conductivity, lead, nickel, nitrate plus nitrite, pH, silver, total coliform organisms, TSS, and zinc. The general methodology for calculating WQBELs based on the different criteria/objectives is described in subsections IV.C.4.b through e, below. See Attachment H for the WQBEL calculations.
- b. **Effluent Concentration Allowance.** For each water quality criterion/objective, the ECA is calculated using the following steady-state mass balance equation from section 1.4 of the SIP:

$$\begin{aligned} \text{ECA} &= C + D(C - B) \text{ where } C > B, \text{ and} \\ \text{ECA} &= C \text{ where } C \leq B \end{aligned}$$

Where:

ECA = effluent concentration allowance
D = dilution credit
C = the priority pollutant criterion/objective
B = the ambient background concentration.

According to the SIP, the ambient background concentration (B) in the equation above shall be the observed maximum with the exception that an ECA calculated from a priority pollutant criterion/objective that is intended to protect human health from carcinogenic effects shall use the arithmetic mean concentration of the ambient background samples.

- c. **Primary and Secondary MCLs.** For non-priority pollutants with Primary MCLs to protect human health (e.g., nitrate plus nitrite), the AMEL is set equal to the Primary MCL and the AWEL is calculated using the AWEL/AMEL multiplier, where the AWEL multiplier is based on a 98th percentile occurrence probability and the AMEL multiplier is from Table 2 of the SIP.

For non-priority pollutants with Secondary MCLs that protect public

welfare (e.g., taste, odor, and staining), WQBELs were calculated by setting the LTA equal to the Secondary MCL and using the AMEL multiplier to set the AMEL. The AWEL was calculated using the MDEL/AMEL multiplier from Table 2 of the SIP.

- d. **Aquatic Toxicity Criteria.** For priority pollutants with acute and chronic aquatic toxicity criteria, the WQBELs are calculated in accordance with section 1.4 of the SIP. The ECAs are converted to equivalent long-term averages (i.e., LTA_{acute} and $LTA_{chronic}$) using statistical multipliers and the lowest LTA is used to calculate the AMEL and MDEL using additional statistical multipliers. For non-priority pollutants, WQBELs are calculated using similar procedures, except that an AWEL is determined utilizing multipliers based on a 98th percentile occurrence probability.
- e. **Human Health Criteria.** For priority pollutants with human health criteria, the WQBELs are calculated in accordance with section 1.4 of the SIP. The AMEL is set equal to the ECA and the MDEL is calculated using the MDEL/AMEL multiplier from Table 2 of the SIP. For non-priority pollutants with human health criteria, WQBELs are calculated using similar procedures, except that an AWEL is established using the MDEL/AMEL multiplier from Table 2 of the SIP.

$$\begin{aligned}
 AMEL &= mult_{AMEL} \left[\min \left(\overbrace{M_A ECA_{acute}, M_C ECA_{chronic}}^{LTA_{acute}} \right) \right] \\
 MDEL &= mult_{MDEL} \left[\min \left(\underbrace{M_A ECA_{acute}, M_C ECA_{chronic}}_{LTA_{chronic}} \right) \right] \\
 MDEL_{HH} &= \left(\frac{mult_{MDEL}}{mult_{AMEL}} \right) AMEL_{HH}
 \end{aligned}$$

Where:

$mult_{AMEL}$ = statistical multiplier converting minimum LTA to AMEL

$mult_{MDEL}$ = statistical multiplier converting minimum LTA to MDEL

M_A = statistical multiplier converting acute ECA to LTA_{acute}

M_C = statistical multiplier converting chronic ECA to $LTA_{chronic}$

**Summary of Water Quality-Based Effluent Limitations
 Discharge Point 001**

Table F-10. Summary of Water Quality-Based Effluent Limitations

Parameter	Units	Average Monthly Effluent Limitations	Average Weekly Effluent Limitations	Maximum Daily Effluent Limitations
Biochemical Oxygen Demand 5-day @ 20°Celsius	mg/L	10	15	--
Total Suspended Solids	mg/L	10	15	--
Copper, Total Recoverable	µg/L	6.0	--	18
Lead, Total Recoverable	µg/L	0.72	--	1.5
Nickel, Total Recoverable	µg/L	22	--	43
Silver, Total Recoverable	µg/L	0.23	--	0.45
Zinc, Total Recoverable	µg/L	30	--	60
Ammonia Nitrogen, Total (as N)	mg/L	1.8	3.8	--
Electrical Conductivity @ 25°C	µmhos/cm	500 (see table note 2. below)	--	--
Nitrate Plus Nitrite, Total (as N)	mg/L	10	22	--
pH	standard units	--	--	8.5; 6.5
Total Coliform Organisms	MPN/100mL	2.2 as 7-day median; 23 more than once/30-day period; 240 at any time	--	--

Table F-10 Note:

1. **The pH limits** are an instantaneous maximum and an instantaneous minimum.

5. Whole Effluent Toxicity (WET)

For compliance with the Basin Plan’s narrative toxicity objective, this Order requires the Discharger to conduct WET testing for acute and chronic toxicity, as specified in the MRP (Attachment E, section V). This Order also contains effluent limitations for acute toxicity and requires the Discharger to implement best management practices to investigate the causes of and identify corrective actions to reduce or eliminate effluent toxicity.

- a. **Acute Aquatic Toxicity.** The Basin Plan contains a narrative toxicity objective that states, "All waters shall be maintained free of toxic substances in concentrations that produce detrimental physiological responses in human, plant, animal, or aquatic life." (Basin Plan at section 3.1.20) The Basin Plan also states that, "...effluent limits based upon acute biotoxicity tests of effluents will be prescribed where appropriate..."

For priority pollutants, the SIP dictates the procedures for conducting the RPA. Acute toxicity is not a priority pollutant. Therefore, the Central Valley Water Board is not restricted to one particular RPA method. Acute WET is not a priority pollutant. Therefore, due to the site-specific conditions of the discharge, the Central Valley Water Board has used professional judgment in determining the appropriate method for conducting the RPA. U.S. EPA's September 2010 NPDES Permit Writer's Manual, page 6-30, states, "State implementation procedures might allow, or even require, a permit writer to determine reasonable potential through a qualitative assessment process without using available facility-specific effluent monitoring data or when such data are not available...A permitting authority might also determine that WQBELs are required for specific pollutants for all facilities that exhibit certain operational or discharge characteristics (e.g., WQBELs for pathogens in all permits for POTWs discharging to contact recreational waters)." Although the discharge has been consistently in compliance with the acute effluent limitations, the Facility is a POTW that treats domestic wastewater containing ammonia and other acutely toxic pollutants. Acute toxicity effluent limits are required to ensure compliance with the Basin Plan's narrative toxicity objective.

U.S. EPA Region 9 provided guidance for the development of acute toxicity effluent limitations in the absence of numeric water quality objectives for toxicity in its document titled "Guidance for NPDES Permit Issuance", dated February 1994. In section B.2. "Toxicity Requirements" (pgs. 14-15) it states that, "In the absence of specific numeric water quality objectives for acute and chronic toxicity, the narrative criterion 'no toxics in toxic amounts' applies. Achievement of the narrative criterion, as applied herein, means that ambient waters shall not demonstrate for acute toxicity: 1) less than 90% survival, 50% of the time, based on the monthly median, or 2) less than 70% survival, 10% of the time, based on any monthly median. For chronic toxicity, ambient waters shall not demonstrate a test result of greater than 1 TUc." Accordingly, effluent limitations for acute toxicity have been included in this Order as follows:

Acute Toxicity. Survival of aquatic organisms in 96-hour bioassays of undiluted waste shall be no less than:

70 percent, minimum for any one bioassay; and

90 percent, median for any three consecutive bioassays.

- b. **Chronic Aquatic Toxicity.** The Basin Plan contains a narrative toxicity objective that states, “All waters shall be maintained free of toxic substances in concentrations that produce detrimental physiological responses in human, plant, animal, or aquatic life.” (Basin Plan at page section 3.1.20) Table F-11, below, includes chronic WET date for testing performed by the Discharger from January 2017 through December 2019. This data was used to determine if the discharge has reasonable potential to cause or contribute to an in-stream excursion above the Basin Plan’s narrative toxicity objective.

Table F-11. Whole Effluent Chronic Toxicity Testing Results

Date	Fathead Minnow Pimephales promelas Survival (TUc)	Fathead Minnow Pimephales promelas Growth (TUc)	Water Flea Ceriodaphnia dubia Survival (TUc)	Water Flea Ceriodaphnia dubia Growth (TUc)	Green Algae Selenastrum capricornutum Growth (TUc)
9 May 2017	1	1	1	1	--
12 May 2017	--	--	--	--	1
13 March 2018	1	1	1	1	--
15 March 2018	--	--	--	--	>1
10 December 2019	1	1	1	1	--
12 December 2019	--	--	--	--	1

- i. **RPA.** No dilution has been granted for chronic WET. Chronic toxicity testing results exceeding 1 chronic toxicity units (TUc) (as 100/NOEC) and a percent effect at 100 percent effluent exceeding 25 percent demonstrates the discharge has a reasonable potential to cause or contribute to an exceedance of the Basin Plan’s narrative toxicity objective. Based on chronic toxicity testing conducted between January 2017 and December 2019, the maximum chronic toxicity result was >1 TUc on 15 March 2018 with a percent effect of 12.41 percent. Although the chronic toxicity results exceeded 1 TUc, the percent effect at 100 percent effluent was less than 25 percent. Therefore, the discharge does not have reasonable potential to cause or contribute to an instream exceedance of the Basin Plan’s narrative toxicity objective.

D. Final Effluent Limitation Considerations

1. Mass-based Effluent Limitations

40 C.F.R section 122.45(f)(1) requires effluent limitations be expressed in terms of mass, with some exceptions, and 40 C.F.R. section 122.45(f)(2) allows pollutants that are limited in terms of mass to additionally be limited in terms of

other units of measurement. Pursuant to the exceptions to mass limitations provided in 40 C.F.R. section 122.45(f)(1), some effluent limitations are not expressed in terms of mass, such as pH and temperature, and when the applicable standards are expressed in terms of concentration (e.g., CTR criteria and MCLs) and mass limitations are not necessary to protect the beneficial uses of the receiving water.

Mass-based effluent limitations have been removed from this Order for ammonia, BOD₅, and TSS because both a flow discharge prohibition and concentration limits have been included for all three that are the equivalent of mass-based limits. Further rationale is provided in sections IV.D.3 and 4, below.

2. Averaging Periods for Effluent Limitations

40 C.F.R. section 122.45 (d) requires AMELs and AWELs for POTWs unless impracticable. For copper, lead, nickel, silver, and zinc, AWELs have been replaced with MDELs in accordance with section 1.4 of the SIP. Furthermore, for pH and total coliform organisms, AWELs have been replaced or supplemented with effluent limitations utilizing shorter averaging periods. The rationale for using shorter averaging periods for these constituents is discussed in section IV.C.3 of this Fact Sheet.

3. Satisfaction of Anti-Backsliding Requirements

The CWA specifies that a revised permit may not include effluent limitations that are less stringent than the previous permit unless a less stringent limitation is justified based on exceptions to the anti-backsliding provisions contained in CWA sections 402(o) or 303(d)(4), or, where applicable, 40 C.F.R. section 122.44(l).

The effluent limitations in this Order are at least as stringent as the effluent limitations in Order R5-2015-0068-01, with the exception of effluent limitations for lead, manganese, and pH, the mass limits for ammonia, and the MDELs and mass limits for BOD₅ and TSS. The effluent limitations for these pollutants are less stringent than those in Order R5-2015-0068-01. This relaxation or removal of effluent limitations is consistent with the anti-backsliding requirements of the CWA and federal regulations.

- a. **CWA section 402(o)(1) and 303(d)(4).** CWA section 402(o)(1) prohibits the establishment of less stringent WQBELs “except in compliance with section 303(d)(4).” CWA section 303(d)(4) has two parts: paragraph (A), which applies to nonattainment waters and paragraph (B), which applies to attainment waters.
 - i. For waters where standards are not attained, CWA section 303(d)(4)(A) specifies that any effluent limit based on a TMDL or other WLA may be revised only if the cumulative effect of all such

revised effluent limits based on such TMDLs or WLAs will assure the attainment of such water quality standards.

- ii. For attainment waters, CWA section 303(d)(4)(B) specifies that a limitation based on a water quality standard may be relaxed where the action is consistent with the antidegradation policy.

The South Yuba River is considered an attainment water for ammonia, BOD₅, lead, manganese, and TSS because the receiving water is not listed as impaired on the 303(d) list for these parameters. "The exceptions in section 303(d)(4) address both waters in attainment with water quality standards and those not in attainment, i.e. waters on the section 303(d) impaired waters list." State Water Board Order WQ 2008-0006, Berry Petroleum Company, Poso Creek/McVan Facility.

The 303(d) listing for the Yuba River, South Fork (Headwaters to Spaulding, Lake) includes pH, in accordance with Decision ID 54786. The Line of Evidence (LOE) for Decision ID 54786 states that the conclusion to place this water segment-pollutant combination on the 303(d) list is based on 16 of 81 daily average samples exceeding the water quality objective for pH within the water body. However, the LOE also specifies that the 16 noted exceedances were below the water quality objective of 6.5. The relaxation of effluent limits for pH in this Order is based on a revision of the instantaneous maximum effluent limit from 8.0 to 8.5. Since the LOE for Decision ID 54786 is based on exceedances of the minimum water quality objective for pH and not the maximum water quality objective of 8.5, the Central Valley Water Board concludes that the South Yuba River is an attainment water for the maximum pH water quality objective.

As discussed in section IV.D.4, below, removal or relaxation of the effluent limits complies with federal and state antidegradation requirements. Thus, relaxation of the instantaneous maximum effluent limitation for pH, the relaxation of effluent limitations for lead, and the removal of the effluent limitations for manganese, the mass limits for ammonia, and the MDELs and mass limits for BOD₅ and TSS from Order R5-2015-0068-01 meet the exception in CWA section 303(d)(4)(B).

- b. **CWA section 402(o)(2).** CWA section 402(o)(2) provides several exceptions to the anti-backsliding regulations. CWA 402(o)(2)(B)(i) allows a renewed, reissued, or modified permit to contain a less stringent effluent limitation for a pollutant if information is available which was not available at the time of permit issuance (other than revised regulations, guidance, or test methods) and which would have justified the application of a less stringent effluent limitation at the time of permit issuance.

As described further in section IV.C.3 of this Fact Sheet, updated information that was not available at the time Order R5-2015-0068-01 was

issued indicates that manganese does not exhibit reasonable potential to cause or contribute to an exceedance of water quality objectives in the receiving water. Additionally, based on updated information that was not available at the time Order R5-2015-0068-01 was issued indicates that less stringent effluent limitations for lead and manganese satisfy requirements in CWA section 402(o)(2). The updated information that supports the relaxation of effluent limitations for lead and the removal of effluent limitations for manganese includes the following:

- i. **Lead.** Updated ambient hardness monitoring data collected between July 2020 and November 2020 was used to update the CTR aquatic life criteria for lead. Additionally, updated effluent monitoring data was used to calculate an updated CV to determine effluent limitations for lead. The use of the updated criterion and CV resulted in less stringent effluent limitations for lead.
 - ii. **Manganese.** Effluent monitoring data collected between January 2017 and December 2019 indicates that manganese in the discharge does not exhibit reasonable potential to cause or contribute to an exceedance of the Secondary MCL.
- c. **Flow.** Order R5 2015-0068-01 included flow as an effluent limit based on the Facility design flow. Compliance with the effluent limits for flow in Order R5-2015-0068-01 was calculated annually by adding the total daily flow during July, August, and September and dividing by the number of days, 92. Flow is not a pollutant and therefore has been changed from an effluent limit to a discharge prohibition in this Order, which is an equivalent level of regulation. This Order is not less stringent because compliance with flow as a discharge prohibition will be calculated the same way as the previous Order. Flow as a discharge prohibition adequately regulates the Facility, does not allow for an increase in the discharge of pollutants, and does not constitute backsliding.

4. Antidegradation Policies

This Order does not allow for an increase in flow or mass of pollutants to the receiving water. Therefore, a complete antidegradation analysis is not necessary. The Order requires compliance with applicable federal technology-based standards and with WQBELs where the discharge could have the reasonable potential to cause or contribute to an exceedance of water quality standards. The permitted discharge is consistent with the antidegradation provisions of 40 C.F.R. section 131.12 and the State Antidegradation Policy. Compliance with these requirements will result in the use of BPTC of the discharge. The impact on existing water quality will be insignificant.

This Order removes effluent limitations for manganese based on updated monitoring data demonstrating that the effluent does not cause or contribute to

an exceedance of the applicable water quality criteria or objectives in the receiving water.

This Order also relaxes the instantaneous maximum effluent limitation for pH based on the Basin Plan water quality objective and relaxes the AMEL and MDEL for lead based on updated monitoring data and effluent limit calculations (see also sections IV.C.2.e and IV.C.3.c in this Fact Sheet).

This Order also removes the MDELs for BOD₅ and TSS based on 40 C.F.R. part 122.45 (d), which requires permit limitations for POTWs be stated as AMELs and AWELs, and removes the mass-based effluent limits for ammonia, BOD₅, and TSS based on 40 C.F.R. part 122.45 (f). The removal and relaxation of effluent limits for these parameters will maintain the best practicable treatment and control of the discharge necessary to assure that a pollution or nuisance will not occur and the highest water quality consistent with maximum benefit to the people of the State will be maintained.

Furthermore, both concentration-based AMELs and AWELs remain for ammonia, BOD₅, and TSS, as well as an average dry weather flow prohibition that limits the amount of flow that can be discharged to the receiving water during dry weather months. The combination of concentration-based effluent limits and a flow prohibition in this Order are equivalent to mass-based effluent limitations, which were redundant limits contained in previous Orders by multiplying the concentration-based effluent limits and permitted average dry weather flow by a conversion factor to determine the mass-based effluent limitations. The Central Valley Water Board finds that the removal of MDELs for BOD₅ and TSS, and the removal of mass-based effluent limits for ammonia, BOD₅, and TSS does not result in an allowed increase in pollutants or any additional degradation of the receiving water. Thus, the relaxation of the instantaneous maximum effluent limitation for pH, the relaxation of the AMEL and MDEL for lead, the removal of MDELs for BOD₅ and TSS, and the removal of mass-based limits for ammonia, BOD₅, and TSS is consistent with the antidegradation provisions of 40 C.F.R. section 131.12 and the State Antidegradation Policy.

5. Stringency of Requirements for Individual Pollutants

This Order contains both technology-based effluent limitations and WQBELs for individual pollutants. The technology-based effluent limitations consist of restrictions on BOD₅, pH, and TSS. Restrictions on these constituents are discussed in section IV.B.2 of this Fact Sheet. This Order's technology-based pollutant restrictions implement the minimum, applicable federal technology-based requirements. For BOD₅, pH, and TSS, both technology-based effluent limitations and WQBELs are applicable. The more stringent of these effluent limitations are implemented by this Order. These limitations are not more stringent than required by the CWA.

WQBELs have been derived to implement water quality objectives that protect beneficial uses. Both the beneficial uses and the water quality objectives have been approved pursuant to federal law and are the applicable federal water quality standards. To the extent that toxic pollutant WQBELs were derived from the CTR, the CTR is the applicable standard pursuant to 40 C.F.R. section 131.38. The procedures for calculating the individual WQBELs for priority pollutants are based on the CTR implemented by the SIP, which was approved by U.S. EPA on 18 May 2000. Collectively, this Order's restrictions on individual pollutants are no more stringent than required to implement the requirements of the CWA.

**Summary of Final Effluent Limitations
Discharge Point 001**

Table F-12. Summary of Final Effluent Limitations

Parameter	Units	Effluent Limitations	Basis¹
Biochemical Oxygen Demand 5-day @ 20°Celsius	mg/L	AMEL 10 AWEL 15	TTC
Biochemical Oxygen Demand 5-day @ 20°Celsius	Percent Removal	AMEL greater than or equal to 85	CFR
pH	Standard Units	Instantaneous Max 8.5 Instantaneous Min 6.5	BP
Total Suspended Solids	mg/L	AMEL 10 AWEL 15	TTC
Total Suspended Solids	Percent Removal	AMEL greater than or equal to 85	CFR
Copper, Total Recoverable	µg/L	AMEL 6.0 MDEL 18	CTR
Lead, Total Recoverable	µg/L	AMEL 0.72 MDEL 1.5	CTR
Nickel, Total Recoverable	µg/L	AMEL 22 MDEL 43	CTR
Silver, Total Recoverable	µg/L	AMEL 0.23 MDEL 0.45	CTR
Zinc, Total Recoverable	µg/L	AMEL 30 MDEL 60	CTR
Ammonia Nitrogen, Total (as N)	mg/L	AMEL 1.8 AWEL 3.8	NAWQC
Electrical Conductivity @ 25°C	µmhos/cm	AAEL 500	PB
Nitrate Plus Nitrite, Total (as N)	mg/L	AMEL 10 AWEL 22	MCL
Total Coliform Organisms	MPN/100 mL	2.2 as 7-day median; 23 more than once in any 30-day period; 240 at any time	Title 22

Parameter	Units	Effluent Limitations	Basis ¹
Acute Toxicity	Percent Survival	70% minimum for any one bioassay; 90% median for any three consecutive bioassays	BP

Table F-12 Notes:

1. **TTC** – Based on tertiary treatment capability. These effluent limitations reflect the capability of a properly operated tertiary treatment plant.
CFR – Based on secondary treatment standards contained in 40 C.F.R part 133.
BP – Based on water quality objectives contained in the Basin Plan.
CTR – Based on water quality criteria contained in the California Toxics Rule and applied as specified in the SIP.
NAWQC – Based on U.S. EPA’s National Ambient Water Quality Criteria for the protection of freshwater aquatic life.
PB – Based on Facility performance.
MCL – Based on the Primary Maximum Contaminant Level
Title 22 – Based on DDW Reclamation Criteria, Title 22.

2. **Electrical Conductivity @ 25 degrees Celsius.** Effluent limitation is applied as an annual average effluent limitation.

E. Interim Effluent Limitations – Not Applicable

F. Land Discharge Specifications

The Land Discharge Specifications are necessary to protect the beneficial uses of the groundwater.

G. Recycling Specifications – Snowmaking

The Recycling Specifications are necessary to ensure recycled wastewater for snowmaking meets the requirements of Title 22.

V. RATIONALE FOR RECEIVING WATER LIMITATIONS

A. Surface Water

1. CWA section 303(a-c), requires states to adopt water quality standards, including criteria where they are necessary to protect beneficial uses. The Central Valley Water Board adopted water quality criteria as water quality objectives in the Basin Plan. The Basin Plan states that “[t]he numerical and narrative water quality objectives define the least stringent standards that the Regional Water Board will apply to regional waters in order to protect the beneficial uses.” The Basin Plan includes numeric and narrative water quality

objectives for various beneficial uses and water bodies. This Order contains receiving surface water limitations based on the Basin Plan numerical and narrative water quality objectives for bacteria, biostimulatory substances, color, chemical constituents, dissolved oxygen, floating material, oil and grease, pH, pesticides, radioactivity, suspended sediment, settleable substances, suspended material, tastes and odors, temperature, toxicity, and turbidity.

B. Groundwater

1. Basin Plan water quality objectives include narrative objectives for chemical constituents, tastes and odors, and toxicity of groundwater. The toxicity objective requires that groundwater be maintained free of toxic substances in concentrations that produce detrimental physiological responses in humans, plants, animals, or aquatic life. The chemical constituent objective states groundwater shall not contain chemical constituents in concentrations that adversely affect any beneficial use. The tastes and odors objective prohibit taste- or odor-producing substances in concentrations that cause nuisance or adversely affect beneficial uses. The Basin Plan also establishes numerical water quality objectives for chemical constituents and radioactivity in groundwaters designated as municipal supply. These include, at a minimum, compliance with MCLs in Title 22 of the CCR. The bacteria objective prohibits coliform organisms at or above 2.2 MPN/100 mL. The Basin Plan requires the application of the most stringent objective necessary to ensure that waters do not contain chemical constituents, toxic substances, radionuclides, taste- or odor-producing substances, or bacteria in concentrations that adversely affect MUN, agricultural supply, industrial supply or some other beneficial use.
2. Groundwater limitations are required to protect the beneficial uses of the underlying groundwater.

VI. RATIONALE FOR PROVISIONS

A. Standard Provisions

Standard Provisions, which apply to all NPDES permits in accordance with 40 C.F.R. section 122.41, and additional conditions applicable to specified categories of permits in accordance with 40 C.F.R. section 122.42, are provided in Attachment D. The Discharger must comply with all standard provisions and with those additional conditions that are applicable under section 122.42.

Sections 122.41(a)(1) and (b) through (n) of 40 C.F.R. establish conditions that apply to all state issued NPDES permits. These conditions must be incorporated into the permits either expressly or by reference. If incorporated by reference, a specific citation to the regulations must be included in the Order. Section 123.25(a)(12) of 40 C.F.R. allows the state to omit or modify conditions to impose more stringent requirements. In accordance with 40 C.F.R. section 123.25, this Order omits federal conditions that address enforcement authority specified in 40 C.F.R. sections 122.41(j)(5) and (k)(2) because the enforcement authority under the Water Code is

more stringent. In lieu of these conditions, this Order incorporates by reference Water Code section 13387(e).

B. Special Provisions

1. Reopener Provisions

- a. **Mercury.** This provision allows the Central Valley Water Board to reopen this Order in the event mercury is found to be causing toxicity based on acute or chronic toxicity test results, or if a TMDL program is adopted. In addition, this Order may be reopened if the Central Valley Water Board determines that a mercury offset program is feasible for dischargers subject to NPDES permits.
- b. **Whole Effluent Toxicity (WET).** This Order requires the Discharger to investigate the causes of and identify corrective actions to reduce or eliminate effluent toxicity through a site-specific Toxicity Reduction Evaluation (TRE). This Order may be reopened to include a new chronic toxicity limitation, a new acute toxicity limitation, and/or a limitation for a specific toxicant identified in the TRE.
- c. **Water Effects Ratio (WER) and Metal Translators.** A default WER of 1.0 has been used in this Order for calculating criteria for applicable inorganic constituents, except for copper. In addition, default dissolved-to-total metal translators have been used to convert water quality objectives from dissolved to total recoverable. If the Discharger performs studies to determine site-specific WERs and/or site-specific dissolved-to-total metal translators, this Order may be reopened to modify the effluent limitations for the applicable inorganic constituents.
- d. **Ultraviolet Light (UV) Disinfection Operating Specifications.** UV system operating specifications are required to ensure that the UV system is operated to achieve the required pathogen removal. UV disinfection system specifications and monitoring and reporting requirements are required to ensure that adequate UV dosage is applied to the wastewater to inactivate pathogens (e.g., viruses) in the wastewater. UV dosage is dependent on several factors such as UV transmittance, UV power setting, wastewater turbidity, and wastewater flow through the UV disinfection system. The UV specifications in this Order are based on the National Water Research Institute (NWRI) and American Water Works Association Research Foundation (AWWRF) "Ultraviolet Disinfection Guidelines for Drinking Water and Water Reuse" first published in December 2000 and revised as a Third Edition dated August 2012 (NWRI Guidelines). If the Discharger conducts a site-specific UV engineering study that identifies site-specific UV operating specifications that will achieve the virus inactivation required by Title 22 for disinfected tertiary

recycled water, this Order may be reopened to modify the UV specifications, in accordance with Reopener Provision VI.C.1.f.

- e. **Mixing Zone.** If the Discharger decides to pursue future Central Valley Water Board approval for dilution of its surface water discharge, this Order requires the Discharger to conduct and submit a mixing zone study. This Order may be reopened to add or modify effluent discharge conditions and attainment of water quality objectives at the boundary of the identified mixing zone.
- f. **Hardness Dependent Metals Criteria.** The Discharger requested a time schedule order for compliance with the final effluent limitations for copper, nickel, lead, silver, and zinc. If there are operational changes and/or Facility upgrades that affect the calculation of the hardness dependent metals criteria, this Order may be reopened to re-evaluate the criteria and remove or modify effluent limitations, monitoring requirements, and/or provisions based on the new information.
- g. **Seasonal Discharge Prohibition.** The State Antidegradation Policy requires that high quality waters be maintained until it has been demonstrated that any change will be consistent with the maximum benefit to the people of the state, will not unreasonably affect beneficial uses, and will not result in water quality less than that prescribed in the policies. It further requires that any activity that may lower water quality meet BPTC. The Discharger submitted an antidegradation analysis with their ROWD, which requested removal of the seasonal discharge prohibition contained in section III.B of the Order. However, as described in section IV.A of this Fact Sheet, Central Valley Water Board staff have found that the analysis is insufficient for justifying the removal of the seasonal discharge prohibition in accordance with federal and state antidegradation policies. If the Discharger decides to pursue removal of the seasonal discharge prohibition, the Discharger must submit a supplemental antidegradation analysis to evaluate whether the proposed discharge condition (i.e., direct discharge of tertiary treated wastewater to the South Yuba River year-round) is consistent with the federal and state antidegradation policies in 40 C.F.R. section 131.12 and State Water Board Resolution 68-16, Statement of Policy with Respect to Maintaining High Quality of Waters in California. The supplemental analysis shall be in accordance with the State Water Board Administrative Procedures Update (APU) 90-004, Antidegradation Policy Implementation for NPDES Permitting.

The supplemental antidegradation analysis shall assess the potential biostimulatory impacts and the impacts of effluent metal concentrations to the beneficial uses of the receiving water. When determining whether the proposed discharge is necessary to accommodate social or economic development and is consistent with maximum public benefit, the analysis

shall consider the implementation of feasible alternative control measures which might reduce, eliminate, or compensate for potential negative impacts of the proposed action. The Discharger shall assess the economic and social costs, tangible and intangible, of the proposed discharge compared to benefits. Additional guidance for assessing alternatives and socioeconomic impacts is provided in APU 90-004 and U.S. EPA's March 1995 Interim Economic Guidance for Water Quality Standards: Workbook (EPA-823-B-95-002). This Order may be reopened to remove the seasonal discharge prohibition based on an approved supplemental antidegradation analysis.

- h. **Central Valley Salinity Alternatives for Long-Term Sustainability (CV-SALTS).** On 17 January 2020, certain Basin Plan Amendments to incorporate new strategies for addressing ongoing salt and nitrate accumulation in the Central Valley became effective. Other provisions subject to U.S. EPA approval became effective on 2 November 2020, when approved by U.S. EPA. As the Central Valley Water Board moves forward to implement those provisions that are now in effect, this Order may be amended or modified to incorporate new or modified requirements necessary for implementation of the Basin Plan Amendments. More information regarding these Amendments can be found at the following link:

[Central Valley Salinity Alternatives for Long-Term Sustainability \(CVSALTS\) web page:](https://www.waterboards.ca.gov/centralvalley/water_issues/salinity/)

(https://www.waterboards.ca.gov/centralvalley/water_issues/salinity/)

2. Special Studies and Additional Monitoring Requirements

- a. **Chronic Whole Effluent Toxicity (WET) Requirements.** The Basin Plan contains a narrative toxicity objective that states, "All waters shall be maintained free of toxic substances in concentrations that produce detrimental physiological responses in human, plant, animal, or aquatic life." (Basin Plan at section 3.1.20.) Based on whole effluent chronic toxicity testing performed by the Discharger from January 2017 through December 2019, the discharge does not have reasonable potential to cause or contribute to an in-stream excursion above of the Basin Plan's narrative toxicity objective.

The MRP of this Order requires chronic WET monitoring to demonstrate compliance with the Basin Plan's narrative toxicity objective. If the discharge exceeds the chronic toxicity monitoring trigger, this provision requires the Discharger either participate in an approved Toxicity Evaluation Study (TES) or conduct a site-specific TRE.

A TES may be conducted in lieu of a TRE if the percent effect at 100 percent effluent is less than or equal to 50 percent. Determining the

cause of toxicity can be challenging when the toxicity signal is low. Several Central Valley facilities with similar treatment systems have been experiencing intermittent low-level toxicity. The dischargers have not been successful identifying the cause of the toxicity because of the low toxicity signal and the intermittent nature of the toxicity. Due to these challenges, CVCWA, in collaboration with staff from the Central Valley Water Board, has initiated a Special Study to Investigate Low Level Toxicity Indications (Group Toxicity Study). This Order allows the Discharger to participate in an approved TES, which may be conducted individually or as part of a coordinated group effort with other similar dischargers that are exhibiting toxicity. Although the current CVCWA Group Toxicity Study is related to low-level toxicity, participation in an approved TES is not limited to only low-level toxicity issues.

See the WET Monitoring Flow Chart (Figure F-3), below, for further clarification of the decision points for determining the need for TES/TRE initiation.

Figure F-3: WET Accelerated Monitoring Flow Chart

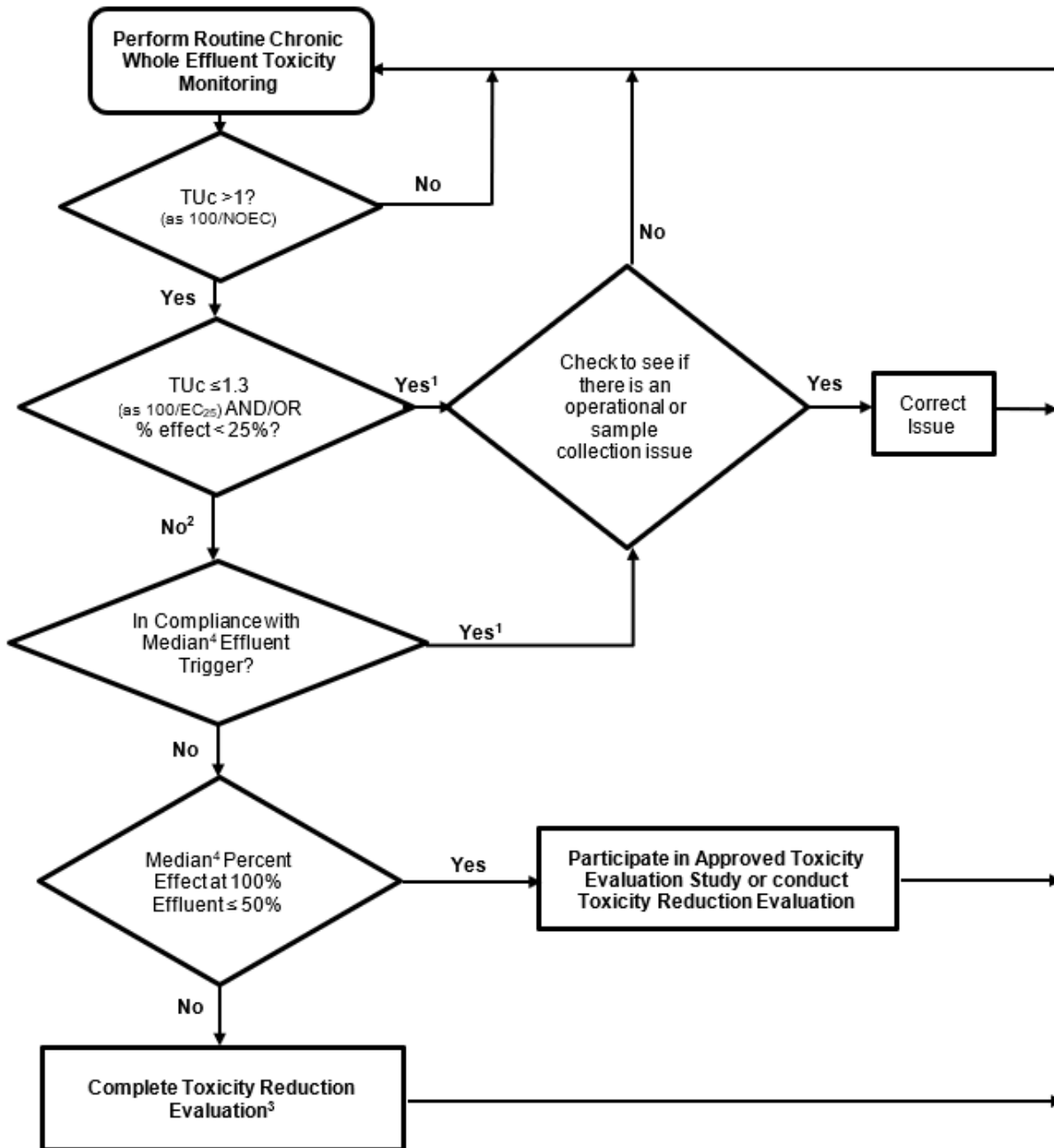


Figure F-3 Notes:

1. The Discharger may participate in an approved TES if the discharge has exceeded the chronic toxicity monitoring trigger twice or more in the past 12-month period and the cause is not identified and/or addressed.
2. The Discharger may elect to take additional samples to determine the 3-sample median. The samples shall be collected at least one week apart, and the final sample shall be within 6 weeks of the initial sample exhibiting toxicity.

3. The Discharger may participate in an approved TES instead of a TRE if the Discharger has conducted a TRE within the past 12 months and has been unsuccessful in identifying the toxicant.
4. See Compliance Determination section VII.I for procedures for calculating 6-week median.

3. Best Management Practices and Pollution Prevention

- a. **Salinity Evaluation and Minimization Plan.** An evaluation and minimization plan for salinity is required to be maintained in this Order to ensure adequate measures are developed and implemented by the Discharger to reduce the discharge of salinity to the South Yuba River.

4. Construction, Operation, and Maintenance Specifications

- a. **Filtration System Operating Specifications.** Turbidity is included as an operational specification as an indicator of the effectiveness of the filtration system for providing adequate disinfection. The tertiary treatment process utilized at this Facility is capable of reliably meeting a turbidity limitation of 0.2 NTU as a daily average and a maximum of 0.5 NTU. Failure of the treatment system such that virus removal is impaired would normally result in increased particles in the effluent, which result in higher effluent turbidity. Turbidity has a major advantage for monitoring filter performance, allowing immediate detection of filter failure and rapid corrective action. The operational specification requires that turbidity prior to disinfection shall not exceed 0.2 NTU as a daily average and 0.5 NTU as an instantaneous maximum.
- b. **Ultraviolet Light (UV) Disinfection System Operating Specifications.** This Order requires that wastewater shall be oxidized, coagulated, filtered, and adequately disinfected pursuant to the DDW reclamation criteria, Title 22, or equivalent. To ensure that the UV disinfection system is operated to achieve the required pathogen removal, this Order includes effluent limits for total coliform organisms, filtration system operating specifications, and UV disinfection system operating specifications. Compliance with total coliform effluent limits alone does not ensure that pathogens in the municipal wastewater have been deactivated by the UV disinfection system. Compliance with the effluent limits and the filtration system and UV disinfection operating specifications demonstrates compliance with the equivalency to Title 22 disinfection requirement.

The NWRI Guidelines include UV operating specifications for compliance with Title 22. For water recycling in accordance with Title 22, the UV system shall be an approved system included in the Treatment Technology Report for Recycled Water, December 2009 (or a later version, as applicable) published by the DDW. The UV system shall also conform to all requirements and operating specifications of the NWRI Guidelines. A memorandum dated 1 November 2004 issued by DDW to

Regional Water Board executive offices recommended that provisions be included in permits for water recycling treatment plants employing UV disinfection requiring dischargers to establish fixed cleaning frequencies of lamp sleeves, as well as, include provisions that specify minimum delivered UV dose that must be maintained (per the NWRI Guidelines).

For membrane filtration, the NWRI Guidelines recommend a minimum hourly average UV dose of 80 mJ/cm². Therefore, this Order includes UV operating specifications requiring a minimum hourly average UV dose of 80 mJ/cm² and a minimum hourly average UV transmittance of 65 percent, per the NWRI Guidelines. If the Discharger conducts a site-specific UV engineering study that demonstrates a lower UV dose meets a Title 22 equivalent virus removal, this Order may be reopened to revise the UV operating specifications accordingly.

5. Special Provisions for Publicly-Owned Treatment Works (POTWs)

- a. **Sludge/Biosolids Treatment or Discharge Specifications.** Sludge in this Order means the solid, semi-solid, and liquid residues removed during primary, secondary, or advanced wastewater treatment processes. Solid waste refers to grit and screening material generated during preliminary treatment. Residual sludge means sludge that will not be subject to further treatment at the wastewater treatment plant. Biosolids refer to sludge that has been treated and tested and shown to be capable of being beneficially and legally used pursuant to federal and state regulations as a soil amendment for agricultural, silvicultural, horticultural, and land reclamation activities as specified under 40 C.F.R. part 503. This Order does not regulate off-site use or disposal of biosolids, which are regulated instead under 40 C.F.R. part 503; administered by U.S. EPA. The Sludge/Biosolids Treatment or Discharge Specifications in this Order implement the California Water Code to ensure sludge/biosolids are properly handled on-site to prevent nuisance, protect public health, and protect groundwater quality.

6. Other Special Provisions

- a. **Title 22, or Equivalent, Disinfection Requirements.** Consistent with Order R5-2015-0068-01, this Order requires wastewater to be oxidized, coagulated, filtered, and adequately disinfected pursuant to DDW reclamation criteria, Title 22, or equivalent.

7. Compliance Schedules – Not Applicable

VII. RATIONALE FOR MONITORING AND REPORTING REQUIREMENTS

CWA section 308 and 40 C.F.R. sections 122.41(h), (j)-(l), 122.44(i), and 122.48 require that all NPDES permits specify monitoring and reporting requirements. Water Code

sections 13267 and 13383 also authorize the Central Valley Water Board to establish monitoring, inspection, entry, reporting, and recordkeeping requirements.

Water Code section 13176, subdivision (a)(1) requires that laboratory analyses shall be performed by laboratories accredited by DDW, which accredits laboratories through its Environmental Laboratory Accreditation Program (ELAP). Data generated using field tests are exempt from this requirement pursuant to Water Code section 13176, subdivision (a)(2).

The MRP, Attachment E of this Order establishes monitoring, reporting, and recordkeeping requirements that implement federal and state requirements. The following provides the rationale for the monitoring and reporting requirements contained in the MRP for the Facility.

A. Influent Monitoring

1. Influent monitoring is required to collect data on the characteristics of the wastewater and to assess compliance with effluent limitations (e.g., BOD₅ and TSS reduction requirements). The monitoring frequencies for flow (continuous), and BOD₅ (twice per week), have been retained from Order R5-2015-0068-01.
2. The monitoring frequency for TSS (twice per week), have been revised from Order R5-2015-0068-01 to match the frequency of effluent sampling, similar to BOD₅.

B. Effluent Monitoring

1. Pursuant to the requirements of 40 C.F.R. section 122.44(i)(2), effluent monitoring is required for all constituents with effluent limitations. Effluent monitoring is necessary to assess compliance with effluent limitations, assess the effectiveness of the treatment process, and to assess the impacts of the discharge on the receiving stream and groundwater.
2. Effluent monitoring frequencies and sample types for flow (continuous), BOD₅ (twice per week), pH (daily), TSS (twice per week), ammonia (weekly), electrical conductivity (quarterly), nitrate (weekly), nitrite (weekly), nitrate plus nitrite (weekly), temperature (daily), and total dissolved solids (quarterly) have been retained from Order R5-2015-0068-01 to determine compliance with effluent limitations and discharge prohibitions for these parameters.
3. Monitoring data collected over the term of Order R5-2015-0068-01 for copper, lead, nickel, silver, and zinc demonstrated reasonable potential to cause or contribute to an exceedance of the applicable CTR criteria for the protection of freshwater aquatic life. Therefore, this Order establishes monthly effluent monitoring requirements for copper, lead, nickel, silver, and zinc at Monitoring Location EFF-001.
4. Order R5-2015-0068-01 required monthly monitoring of the effluent for hardness. This Order requires the Discharger to monitor the effluent for

hardness on a weekly basis from 1 June 2021 through 30 June 2023, after which monitoring frequency shall be monthly. The increased monitoring frequency for approximately two years is to demonstrate that the lime-feed system is working properly.

5. Monitoring data collected over the term of Order R5-2015-0068-01 for manganese did not demonstrate reasonable potential to exceed the Secondary MCL. Thus, specific monitoring requirements for manganese have not been retained from Order R5-2015-0068-01.
6. This Order contains a limitation requiring an average of 85 percent removal of BOD₅ and TSS over each calendar month, in accordance with 40 C.F.R. section 133.102. Thus, this Order requires the Discharger to calculate the average percent removal of BOD₅ and TSS on a monthly basis.
7. Order R5-2015-0068-01 required the Discharger to monitor the effluent for total residual chlorine when chlorine or chlorine-containing products are used in the treatment process. The Facility uses a UV disinfection system for pathogen removal; therefore, effluent monitoring requirements for chlorine residual have not been retained from Order R5-2015-0068-01.
8. On 21 December 2018, U.S. EPA finalized updated NAWQC for aluminum in freshwater that reflect the latest science and allow for development of criteria reflecting the impact of local water chemistry on aluminum toxicity to aquatic life. The updated criteria account for the site-specific bioavailability of aluminum in receiving waters, which is dependent on pH, dissolved organic carbon, and hardness. This Order establishes quarterly effluent monitoring requirements for dissolved organic carbon at Monitoring Location EFF-001 in order to collect sufficient data for calculating aquatic life criteria for aluminum in accordance with the 2018 NAWQC.
9. Dissolved oxygen effluent monitoring was erroneously left out of previous Orders; therefore, this Order establishes effluent dissolved oxygen monitoring on weekly basis.
10. Water Code section 13176, subdivision (a), states: "The analysis of any material required by [Water Code sections 13000-16104] shall be performed by a laboratory that has accreditation or certification pursuant to Article 3 (commencing with section 100825) of chapter 4 of part 1 of division 101 of the Health and Safety Code." DDW accredits laboratories through its Environmental Laboratory Accreditation Program (ELAP).

Section 13176 cannot be interpreted in a manner that would violate federal holding time requirements that apply to NPDES permits pursuant to the CWA (Wat. Code §§ 13370, subd. (c), 13372, 13377). Section 13176 is inapplicable to NPDES permits to the extent it is inconsistent with CWA requirements (Wat. Code § 13372, subd. (a)). The holding time requirements are 15 minutes for chlorine residual, dissolved oxygen, and pH, and immediate analysis is

required for temperature (40 C.F.R. § 136.3(e), Table II). Due to the location of the Facility, it is both legally and factually impossible for the Discharger to comply with section 13176 for constituents with short holding times.

C. Whole Effluent Toxicity (WET) Testing Requirements

1. **Acute Toxicity.** Consistent with Order R5-2015-0068-01, annual 96-hour bioassay testing is required to demonstrate compliance with the effluent limitations for acute toxicity.
2. **Chronic Toxicity.** Consistent with Order R5-2015-0068-01, annual chronic WET testing is required in order to demonstrate compliance with the Basin Plan's narrative toxicity objective.

D. Receiving Water Monitoring

1. Surface Water

- a. Receiving water monitoring is necessary to assess compliance with receiving water limitations and to assess the impacts of the discharge on the receiving stream.
- b. Receiving water monitoring frequencies and sample types for pH (weekly), dissolved oxygen (weekly), electrical conductivity (quarterly), temperature (weekly), and turbidity (weekly) at Monitoring Locations RSW-001 and RSW-002 have been retained from Order R5-2015-0068-01 to determine compliance with the applicable receiving water limitations and characterize the receiving water for these parameters.
- c. Order R5-2015-0068-01 required weekly monitoring for hardness at Monitoring Locations RSW-001 and RSW-002. This Order revises the monitoring frequency from weekly to monthly. The Central Valley Water Board finds this revised frequency is sufficient for characterizing the receiving water for this parameter.
- d. On 21 December 2018, U.S. EPA finalized updated NAWQC for aluminum in freshwater that reflect the latest science and allow for development of criteria reflecting the impact of local water chemistry on aluminum toxicity to aquatic life. The updated criteria account for the site-specific bioavailability of aluminum in receiving waters, which is dependent on pH, dissolved organic carbon, and hardness. This Order establishes quarterly receiving water monitoring requirements for dissolved organic carbon at Monitoring Locations RSW-001 and RSW-002 in order to collect sufficient

data for calculating aquatic life criteria for aluminum in accordance with the 2018 NAWQC.

2. Groundwater – Not Applicable

E. Other Monitoring Requirements

1. Biosolids Monitoring – Not Applicable

2. Filtration System and UV Disinfection System Monitoring

UV system monitoring and reporting are required to ensure that the UV system is operated to adequately inactivate pathogens in the wastewater.

UV disinfection system monitoring is imposed to achieve equivalency to requirements established by DDW and the NWRI Guidelines. The monitoring frequencies and sample types for the filtration system and UV disinfection system have been retained from Order R5-2015-0068-01.

3. Land Discharge Monitoring

Land discharge monitoring is required to ensure that the discharge to the land disposal area complies with the Land Discharge Specifications in section IV.B of this Order. Monitoring frequencies and sample types for flow (continuous), BOD₅ (monthly), TSS (monthly), and total coliform organisms (monthly) have been retained from Order R5-2015-0068-01.

4. Recycling Monitoring

Recycling monitoring is required to ensure that the discharge to the reclamation area complies with the Recycling Specifications in section IV.C of this Order. Monitoring frequencies and sample types for flow (continuous), total coliform organisms (daily), and turbidity (continuous) have been retained from Order R5-2015-0068-01.

5. Lime-Feed System Monitoring

Monitoring of the lime-feed system utilized at the Facility is required to assess the days on which the lime-feed system is in operation and the amount of lime added to the waste stream. This Order requires the Discharger to maintain a log and record the days on which the lime-feed system is in operation and the amount of lime added to the waste stream in pounds per day. The Discharger recently replaced the lime-feed system at the Facility due to the inconsistency and unreliability of the previous system. The lime-feed system is necessary to increase alkalinity and to provide for more reliable pH control and more efficient nitrogen removal at the Facility. Due to the operational problems the Facility has experienced with the previous lime-feed system, the Central Valley Water Board is requiring the Discharger to keep a day-to-day log at the Facility of the operation of the new lime-feed system to ensure that it is operated and

maintained in accordance with Facility design and operating specifications. Failure to properly maintain the lime-feed system poses a threat to the beneficial uses of the South Yuba River.

6. Discharge Monitoring Report-Quality Assurance (DMR-QA) Study Program

Under the authority of section 308 of the CWA (33 U.S.C. § 1318), U.S. EPA requires all dischargers under the NPDES Program to participate in the annual DMR-QA Study Program. The DMR-QA Study evaluates the analytical ability of laboratories that routinely perform or support self-monitoring analyses required by NPDES permits. There are two options to satisfy the requirements of the DMR-QA Study Program: (1) The Discharger can obtain and analyze a DMR-QA sample as part of the DMR-QA Study; or (2) Per the waiver issued by U.S. EPA to the State Water Board, the Discharger can submit the results of the most recent Water Pollution Performance Evaluation Study from their own laboratories or their contract laboratories. A Water Pollution Performance Evaluation Study is similar to the DMR-QA Study. Thus, it also evaluates a laboratory's ability to analyze wastewater samples to produce quality data that ensure the integrity of the NPDES Program. The Discharger shall submit annually the results of the DMR-QA Study or the results of the most recent Water Pollution Performance Evaluation Study to the State Water Board. The State Water Board's Quality Assurance Program Officer will send the DMR-QA Study results or the results of the most recent Water Pollution Performance Evaluation Study to U.S. EPA's DMR-QA Coordinator and Quality Assurance Manager.

VIII. PUBLIC PARTICIPATION

The Central Valley Water Board has considered the issuance of WDRs that will serve as an NPDES permit for the Donner Summit Public Utility District, Wastewater Treatment Plant. As a step in the WDR adoption process, Central Valley Water Board staff has developed tentative WDRs and has encouraged public participation in the WDR adoption process.

A. Notification of Interested Persons

The Central Valley Water Board notified the Discharger and interested agencies and persons of its intent to prescribe WDRs for the discharge and provided an opportunity to submit written comments and recommendations. Notification was provided through posting on the Central Valley Waterboard's website on 11 February 2021, and through posting by the Discharger at the Town of Truckee Town Hall and at the Facility entrance on 12 February 2021.

The public had access to the agenda and any changes in dates and locations through the [Central Valley Water Board's website](http://www.waterboards.ca.gov/centralvalley/board_info/meetings/) (http://www.waterboards.ca.gov/centralvalley/board_info/meetings/)

B. Written Comments

Interested persons were invited to submit written comments concerning tentative WDRs as provided through the notification process. Comments were due either in person or by mail to the Executive Office at the Central Valley Water Board at the address on the cover page of this Order.

To be fully responded to by staff and considered by the Central Valley Water Board, the written comments were due at the Central Valley Water Board office by 5:00 p.m. on **12 March 2021**.

C. Public Hearing

The Central Valley Water Board held a public hearing on the tentative WDRs during its regular Board meeting on the following date and time and at the following location:

Date: **22 April 2021**
Time: **8:30 a.m.**
Location: Online

Interested persons were invited to attend. At the public hearing, the Central Valley Water Board heard testimony pertinent to the discharge, WDRs, and permit. For accuracy of the record, important testimony was requested in writing.

D. Reconsideration of Waste Discharge Requirements

Any person aggrieved by this action of the Central Valley Water Board may petition the State Water board to review the action in accordance with Water Code section 13320 and CCR, title 23, sections 2050 and following. The State Water Board must receive the petition by 5:00 p.m., within 30 calendar days of the date of adoption of this Order at the following address, except that if the thirtieth day following the date of this Order falls on a Saturday, Sunday, or state holiday, the petition must be received by the State Water Board by 5:00 p.m. on the next business day:

State Water Resources Control Board
Office of Chief Counsel
P.O. Box 100, 1001 I Street
Sacramento, CA 95812-0100

Or by email at waterqualitypetitions@waterboards.ca.gov

[Instructions on how to file a petition for review](http://www.waterboards.ca.gov/public_notices/petitions/water_quality/wqpetition_instructions.shtml)

(http://www.waterboards.ca.gov/public_notices/petitions/water_quality/wqpetition_instructions.shtml) are available on the Internet.

E. Information and Copying

The ROWD, other supporting documents, and comments received are on file and may be inspected at the address above at any time between 8:30 a.m. and 4:45 p.m., Monday through Friday. Copying of documents may be arranged through the Central Valley Water Board by calling (916) 464-3291.

F. Register of Interested Persons

Any person interested in being placed on the mailing list for information regarding the WDRs and NPDES permit should contact the Central Valley Water Board, reference this facility, and provide a name, address, and phone number.

G. Additional Information

Requests for additional information or questions regarding this order should be directed to David Kirn at (916) 464-4761.

ATTACHMENT G – SUMMARY OF REASONABLE POTENTIAL ANALYSIS

Abbreviations used in this table:

- MEC = Maximum Effluent Concentration
- B = Maximum Receiving Water Concentration or lowest detection level, if non-detect
- C = Criterion used for Reasonable Potential Analysis
- CMC = Criterion Maximum Concentration (CTR or NTR)
- CCC = Criterion Continuous Concentration (CTR or NTR)
- Water & Org = Human Health Criterion for Consumption of Water & Organisms (CTR or NTR)
- Org Only = Human Health Criterion for Consumption of Organisms Only (CTR or NTR)
- Basin Plan = Numeric Site-Specific Basin Plan Water Quality Objective
- MCL = Drinking Water Standards Maximum Contaminant Level
- NA = Not Available
- ND = Non-detect

General Note: All inorganic concentrations are given as a total recoverable.

Constituent	Units	MEC	B	C	CMC	CCC	Water & Org	Org. Only	Basin Plan	MCL	Reasonable Potential
Ammonia (as N)	mg/L	9.5	ND	3.16	5.62 (see table note 1. below)	3.16 (see table note 2. below)	--	--	--	--	Yes
Chloride	mg/L	46.1	56.3	230	860 (see table note 1. below)	230 (see table note 3. below)	--	--	--	250	No
Copper, Total Recoverable	µg/L	23.4	3.43	13	18	13	1,300	--	--	1,000	Yes
Electrical Conductivity @ 25°C	umhos/cm	383 (see table note 4. below)	177 (see table note 4. below)	1600	--	--	--	--	--	1600	No (see table note 5. below)

DONNER SUMMIT PUBLIC UTILITY DISTRICT
WASTEWATER TREATMENT PLANT

ORDER R5-2021-XXXX
NPDES NO. CA0081621

Constituent	Units	MEC	B	C	CMC	CCC	Water & Org	Org. Only	Basin Plan	MCL	Reasonable Potential
Lead, Total Recoverable	µg/L	1.8	0.85	0.87	22	0.87	--	--	--	15	Yes
Manganese, Total Recoverable	µg/L	25 (see table note 4. below)	35 (see table note 4. below)	50	--	--	--	--	--	50	No
Nickel, Total Recoverable	µg/L	9.6	44.4	26	230	26	610	--	--	100	Yes
Nitrate, Total (as N)	mg/L	23.4	1.2	10	--	--	--	--	--	10	Yes (see table note 5 below)
Nitrite, Total (as N)	mg/L	1.5	0.07	1.0	--	--	--	--	--	1.0	Yes
Silver, Total Recoverable	µg/L	0.87	6.9	0.45	0.45	--	--	--	--	100	Yes
Sulfate	mg/L	7.1 (see table note 4. below)	1.1 (see table note 4. below)	250	--	--	--	--	--	250	No
Thallium, Total Recoverable	µg/L	2.4	3.6	1.7	--	--	1.7	--	--	2.0	Insufficient Data (see table note 5. below)
Total Dissolved Solids	mg/L	245 (see table note 4. below)	55 (see table note 4. below)	1000	--	--	--	--	--	1000	No
Zinc, Total Recoverable	µg/L	53	42	60	60	60	--	--	--	5,000	Yes (see table note 5 below)

Table Notes:

1. U.S. EPA National Recommended Ambient Water Quality Criteria, Freshwater Aquatic Life Protection, 1-hour average.
2. U.S. EPA National Recommended Ambient Water Quality Criteria, Freshwater Aquatic Life Protection, 30-day average.
3. U.S. EPA National Recommended Ambient Water Quality Criteria, Freshwater Aquatic Life Protection, 4-day average.
4. Represents the maximum observed annual average concentration for comparison with the Secondary MCL.
5. See section IV.C.3 of the Fact Sheet for a discussion of the RPA results.

ATTACHMENT H – CALCULATION OF WQBELS

Abbreviations used in this table:

CV = Coefficient of Variation
 AMEL = Average Monthly Effluent Limitation
 MDEL = Maximum Daily Effluent Limitation
 AWEL = Average Weekly Effluent Limitation

HUMAN HEALTH WQBELS CALCULATIONS

Parameter	Units	Criteria	Maximum Background Concentration	Effluent CV	Dilution Factor	AWEL/AMEL Multiplier	AMEL Multiplier	AMEL	MDEL	AWEL
Nitrate Plus Nitrite, Total (as N)	mg/L	10	1.26	1.56	--	2.91	2.45	10	--	22

Table Notes:

- CV was established in accordance with section 1.4 of the SIP.

ATTACHMENT H – CALCULATION OF WQBELS

Abbreviations used in the following table:

- B = Maximum Receiving Water Concentration or lowest detection level, if non-detect
- CMC = Criterion Maximum Concentration (CTR or NTR) Criteria
- CCC = Criterion Continuous Concentration (CTR or NTR) Criteria
- CV = Coefficient of Variation (established in accordance with section 1.4 of the SIP)
- ECA = Effluent Concentration Allowance
- LTA = Aquatic Life Calculations – Long-Term Average
- Mult = Multiplier
- AMEL = Average Monthly Effluent Limitation
- MDEL = Maximum Daily Effluent Limitation
- AWEL = Average Weekly Effluent Limitation

AQUATIC LIFE WQBEL CALCULATIONS

Parameter	Units	CMC	CCC	B	Effluent CV	ECA Mult _{acute}	LTA _{acute}	ECA Mult _{chronic}	LTA _{chronic}	AMEL Mult ₉₅	AWEL Mult	MDEL Mult ₉₉	AMEL	AWEL	MDEL
Ammonia Nitrogen, Total (as N)	mg/L	5.62	3.16	<0.1	2.61	0.10	0.56	0.39	1.22	3.14	6.80	--	1.8	3.8	--
Copper, Total Recoverable	µg/L	18	13	3.4	1.88	0.12	2.2	0.22	2.8	2.70	--	8.21	6.0	--	18
Lead, Total Recoverable	µg/L	22	0.87	0.85	0.60	0.32	7.1	0.53	0.46	1.55	--	3.11	0.72	--	1.5
Nickel, Total Recoverable	µg/L	240	26	44.4	0.60	0.32	77	0.53	14	1.55	--	3.11	22	--	43
Silver, Total Recoverable	µg/L	0.46	--	6.92	0.60	0.32	0.15	--	--	1.55	--	3.11	0.23	--	0.46
Zinc, Total Recoverable	µg/L	60	60	42.2	0.60	0.32	19	0.53	32	1.55	--	3.11	30	--	60

Table Notes:

1. CV is established in accordance with section 1.4 of the SIP.
2. AMELs are calculated according to section 1.4 of the SIP using a 95th percentile occurrence probability.
3. AWELs are calculated according to section 1.4 of the SIP using a 98th percentile occurrence probability.
4. MDELs are calculated according to section 1.4 of the SIP using a 99th percentile occurrence probability.